



US00D60009S

(12) **United States Design Patent**
Doty et al.

(10) **Patent No.:** **US D600,009 S**

(45) **Date of Patent:** **** *Sep. 15, 2009**

(54) **SUSPENDER HOLSTER WITH MAGAZINE
POUCH AND BELT HOOKS**

D561,464 S * 2/2008 Courtney D3/218

* cited by examiner

(75) Inventors: **Robert L. Doty**, Greenacres, WA (US);
Don A. Perry, Decatur, IL (US)

Primary Examiner—Catherine R Oliver

(74) *Attorney, Agent, or Firm*—Alvin T. Rockhill

(73) Assignee: **Perry Products, Inc.**, Decatur, IL (US)

(57) **CLAIM**

(*) Notice: This patent is subject to a terminal dis-
claimer.

The ornamental design for a suspender holster with magazine
pouch and belts hooks, as shown and described.

(**) Term: **14 Years**

DESCRIPTION

(21) Appl. No.: **29/326,831**

FIG. 1 is a front perspective view of a suspender holster with
magazine pouch and belt hooks showing our new design with
the suspender holster being worn by a human for illustrative
purposes only;

(22) Filed: **Oct. 24, 2008**

FIG. 2 is a right side view of the suspender holster again being
worn by a human for illustrative purposes;

(51) **LOC (9) Cl.** **03-01**

(52) **U.S. Cl.** **D3/222**

(58) **Field of Classification Search** D3/222–223,
D3/218, 215; 224/192–193, 245, 244, 198,
224/624, 911, 581–583, 674–675, 607; D2/627;
D8/373

FIG. 3 is a front perspective view of holster suspenders illus-
trating our new design;

See application file for complete search history.

FIG. 4 is a front view of a suspender holster illustrating our
new design;

(56) **References Cited**

U.S. PATENT DOCUMENTS

D226,810 S *	5/1973	Winfrey	D3/222
4,903,874 A *	2/1990	Shoemaker	224/624
5,246,153 A *	9/1993	Beletsky	224/192
5,358,160 A *	10/1994	Bianchi	224/244
D418,674 S *	1/2000	Deas	D3/222
D529,714 S *	10/2006	Rabinovitch	D3/222
D547,942 S *	8/2007	Lavine	D3/218
D547,943 S *	8/2007	Menzel	D3/222

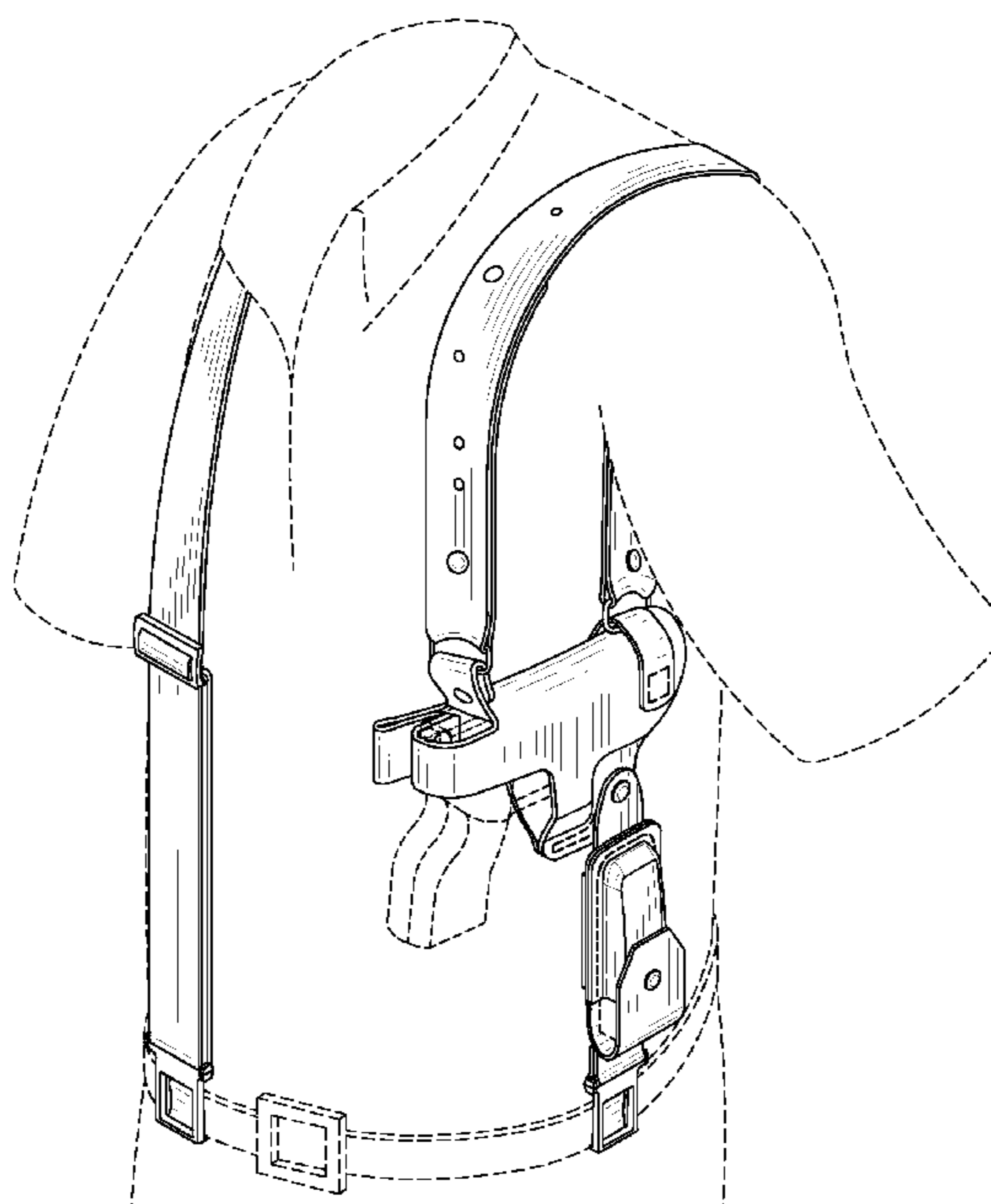
FIG. 5 is a rear view of a suspender holster illustrating our
new design;

FIG. 6 is a left side view of a suspender holster illustrating our
new design; and,

FIG. 7 is a right side view of a suspender holster illustrating
our new design.

The subject matter shown in broken lines, including the
human figure, is for illustrative purposes only and does not
constitute any part of the claimed design.

1 Claim, 3 Drawing Sheets



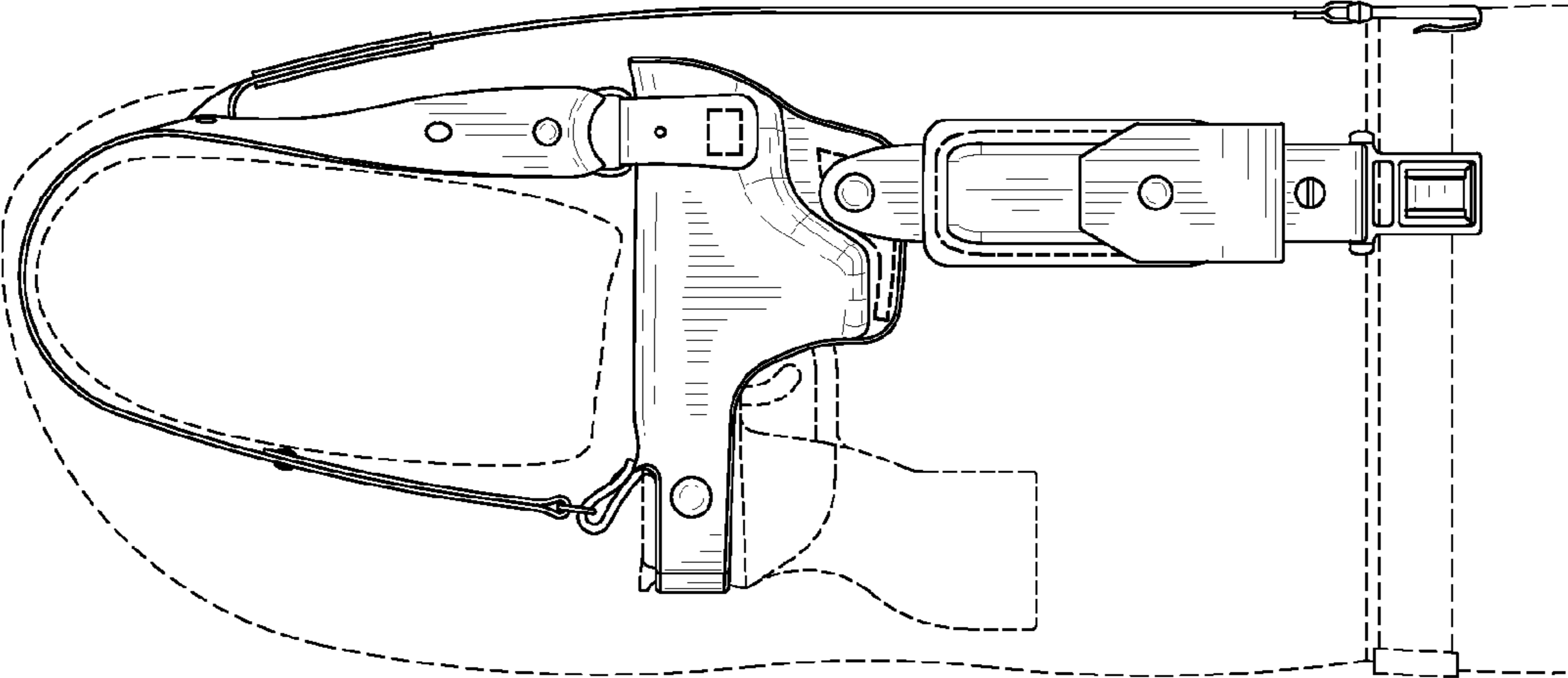


FIG-2

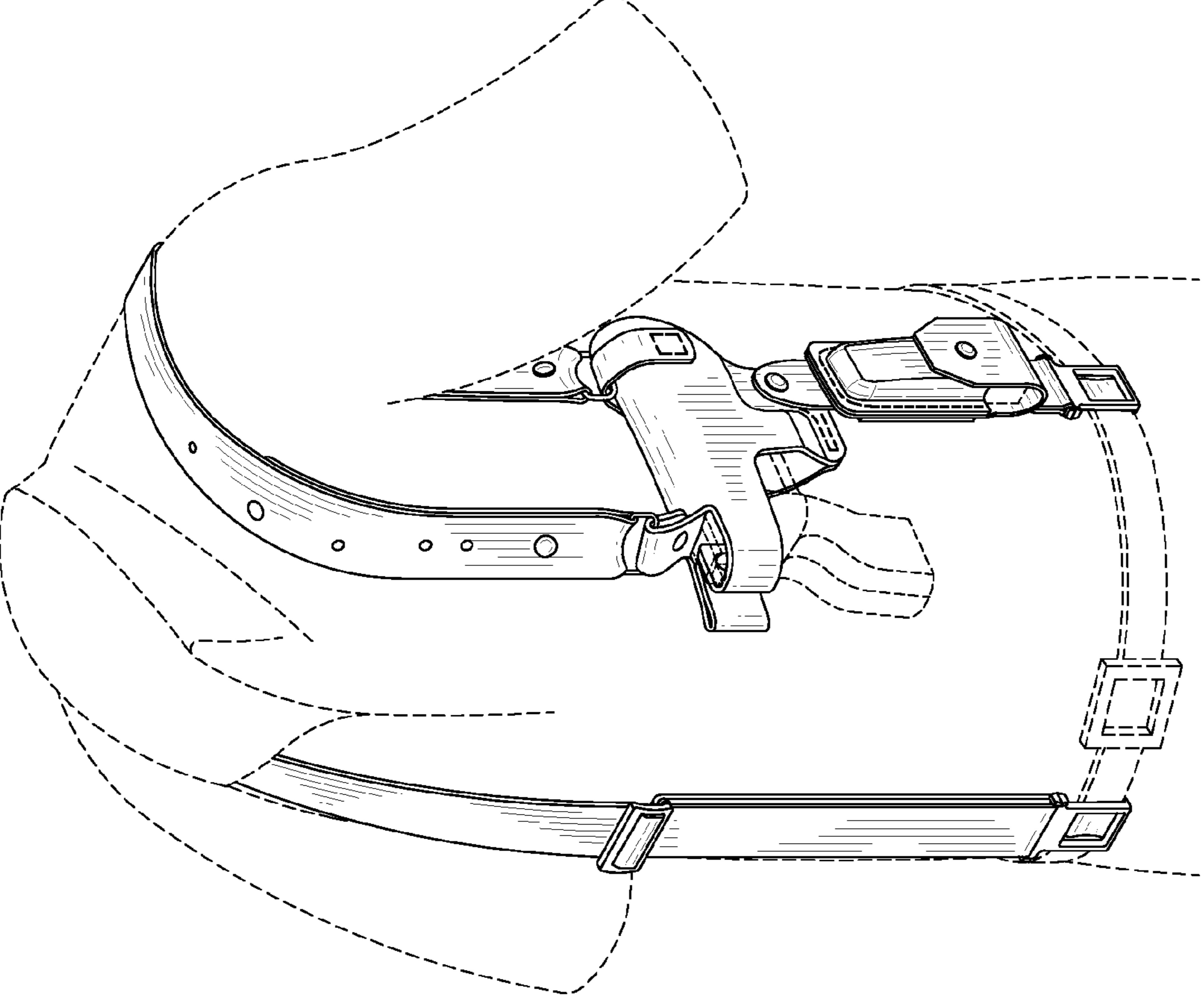


FIG-1

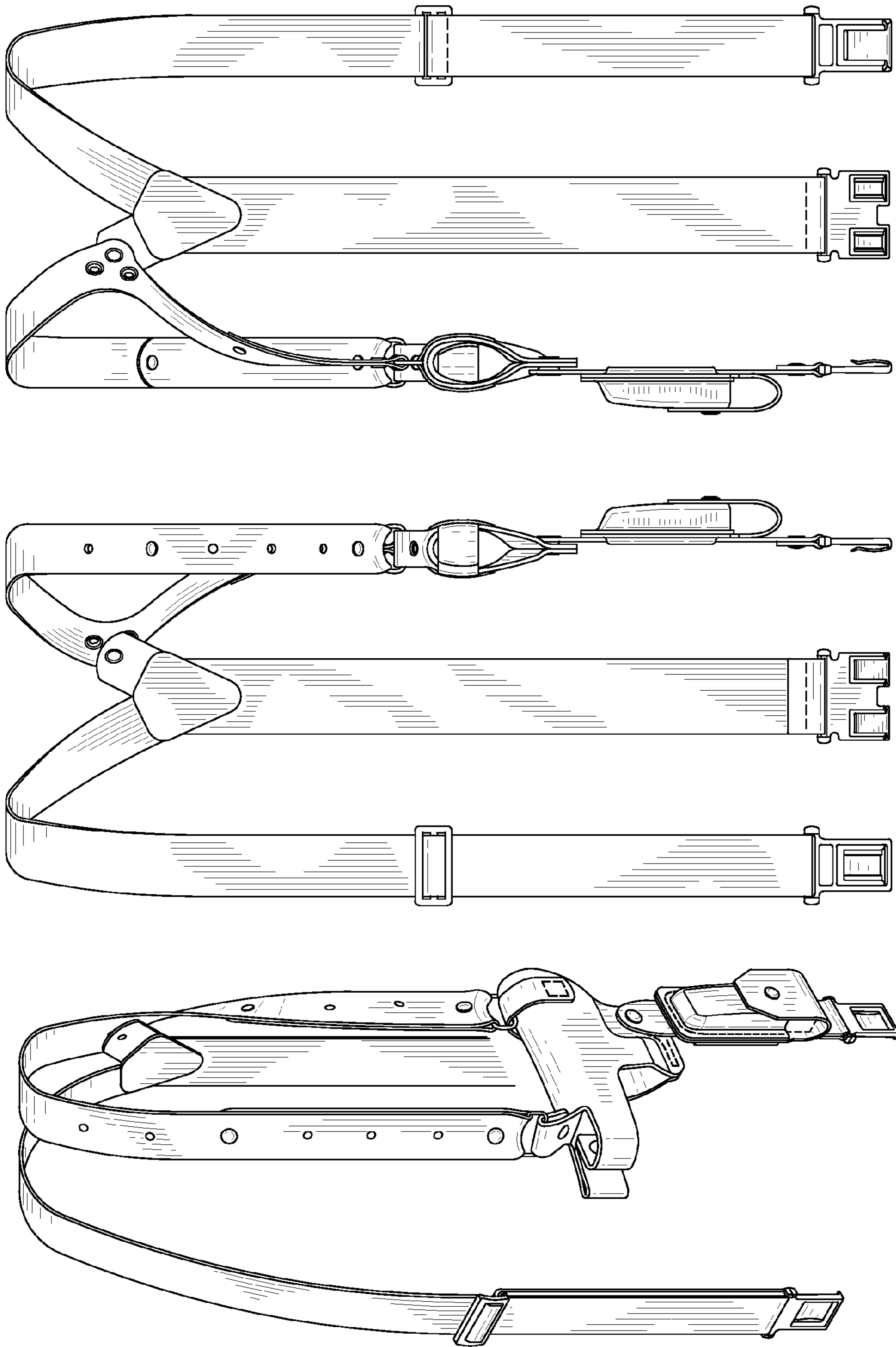


FIG-5

FIG-4

FIG-3

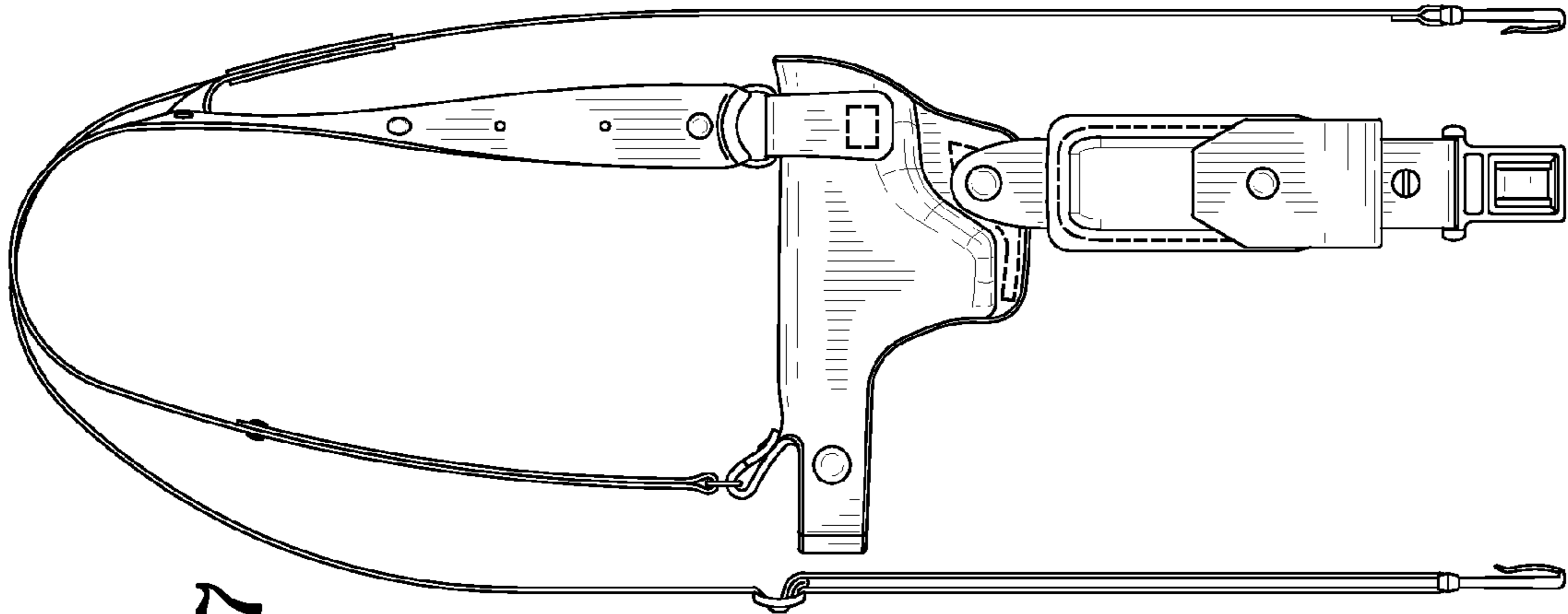


FIG-7

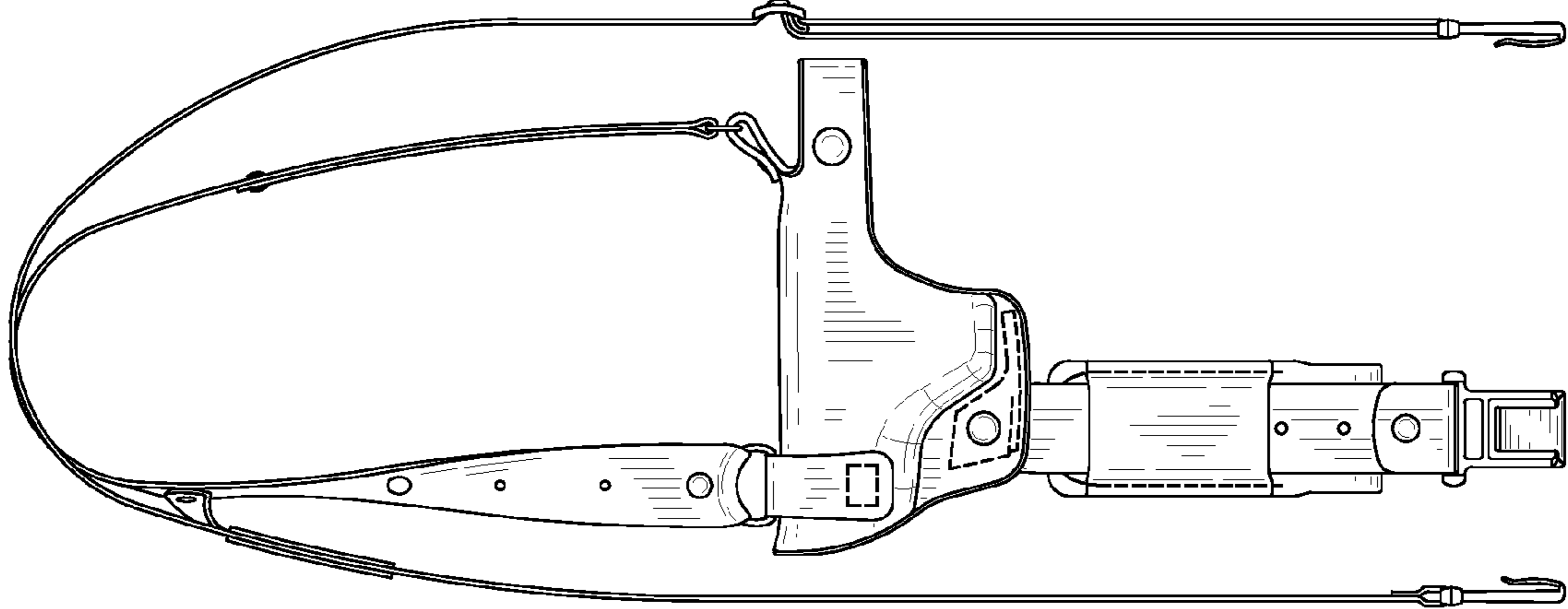


FIG-6