



US00D600008S

(12) **United States Design Patent**
Levis et al.

(10) **Patent No.:** **US D600,008 S**
(45) **Date of Patent:** **** Sep. 15, 2009**

(54) **MOLDED DEVICE HOLDER**

(74) *Attorney, Agent, or Firm*—Patton Boggs LLP

(75) Inventors: **Jeff D. Levis**, Thornton, CO (US);
Michael C. Boyd, Boulder, CO (US)

(57) **CLAIM**

The ornamental design for a molded device holder, as shown and described.

(73) Assignee: **Nite Ize, Inc.**, Boulder, CO (US)

(**) Term: **14 Years**

DESCRIPTION

(21) Appl. No.: **29/324,681**

FIG. 1 is a right side front perspective view of a preferred embodiment of a molded device holder;

(22) Filed: **Sep. 17, 2008**

FIG. 2 is a left side front perspective view of the molded device holder according to FIG. 1;

(51) **LOC (9) Cl.** **03-01**

FIG. 3 is a right side rear perspective view of the molded device holder according to FIG. 1;

(52) **U.S. Cl.** **D3/218**

FIG. 4 is a front view of the molded device holder according to FIG. 1;

(58) **Field of Classification Search** D3/218,
D3/219, 215, 201, 226, 269, 272–273, 299;
206/305, 320; D14/138, 156; 379/455, 446,
379/428; 224/240–241, 268–271, 197, 930,
224/904, 245, 682–683

FIG. 5 is a top view of the molded device holder according to FIG. 1;

See application file for complete search history.

FIG. 6 is a left side view of the molded device holder according to FIG. 1;

(56) **References Cited**

U.S. PATENT DOCUMENTS

D504,768 S *	5/2005	Goradesky	D3/218
D573,343 S *	7/2008	Cerullo	D3/218
D577,908 S *	10/2008	Cerullo et al.	D3/218
D581,151 S *	11/2008	Aipa	D3/201

FIG. 7 is a right side view of the molded device holder according to FIG. 1;

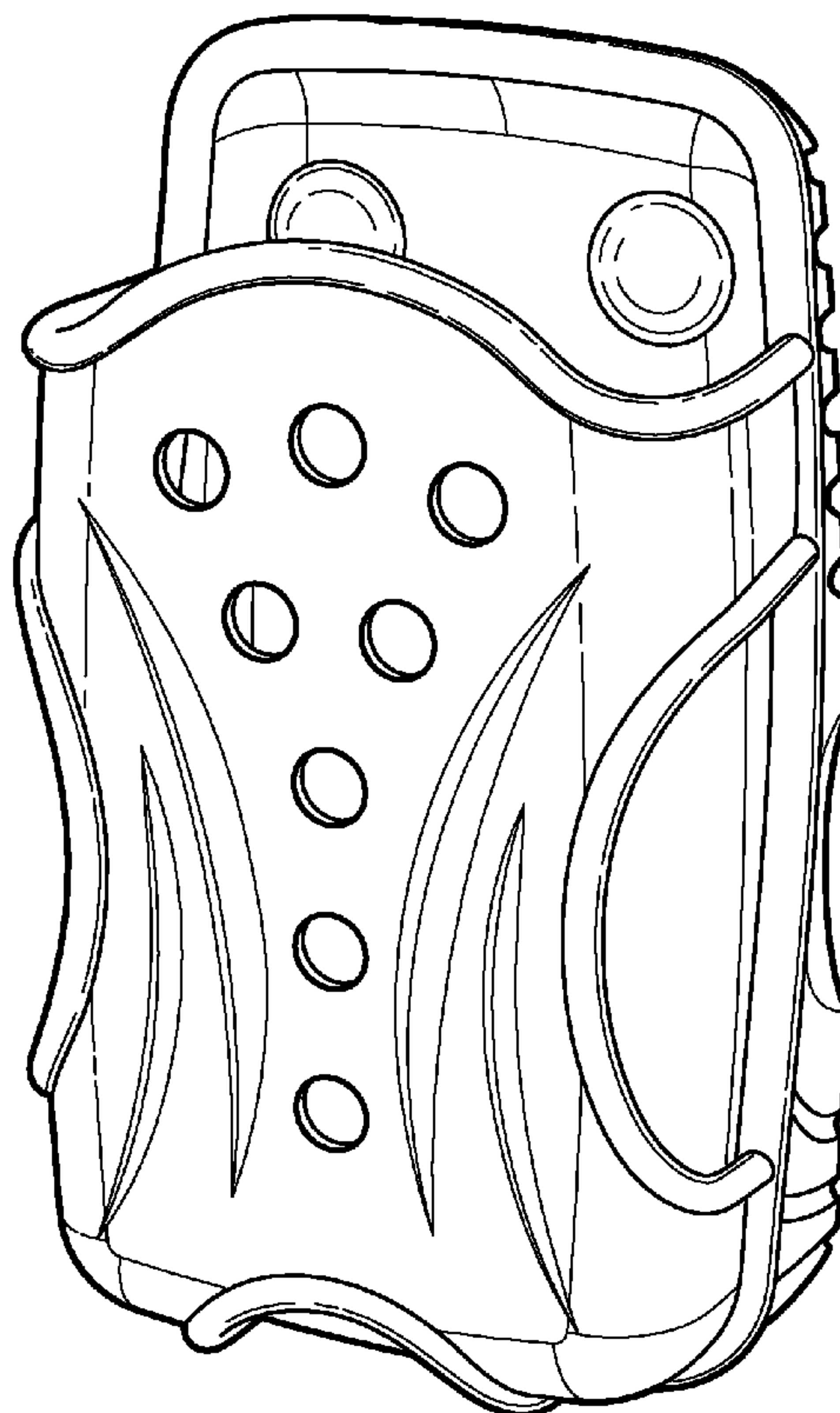
FIG. 8 is a rear view of the molded device holder according to FIG. 1; and,

* cited by examiner

FIG. 9 is a bottom view of the molded device holder according to FIG. 1.

Primary Examiner—Catherine R Oliver

1 Claim, 6 Drawing Sheets



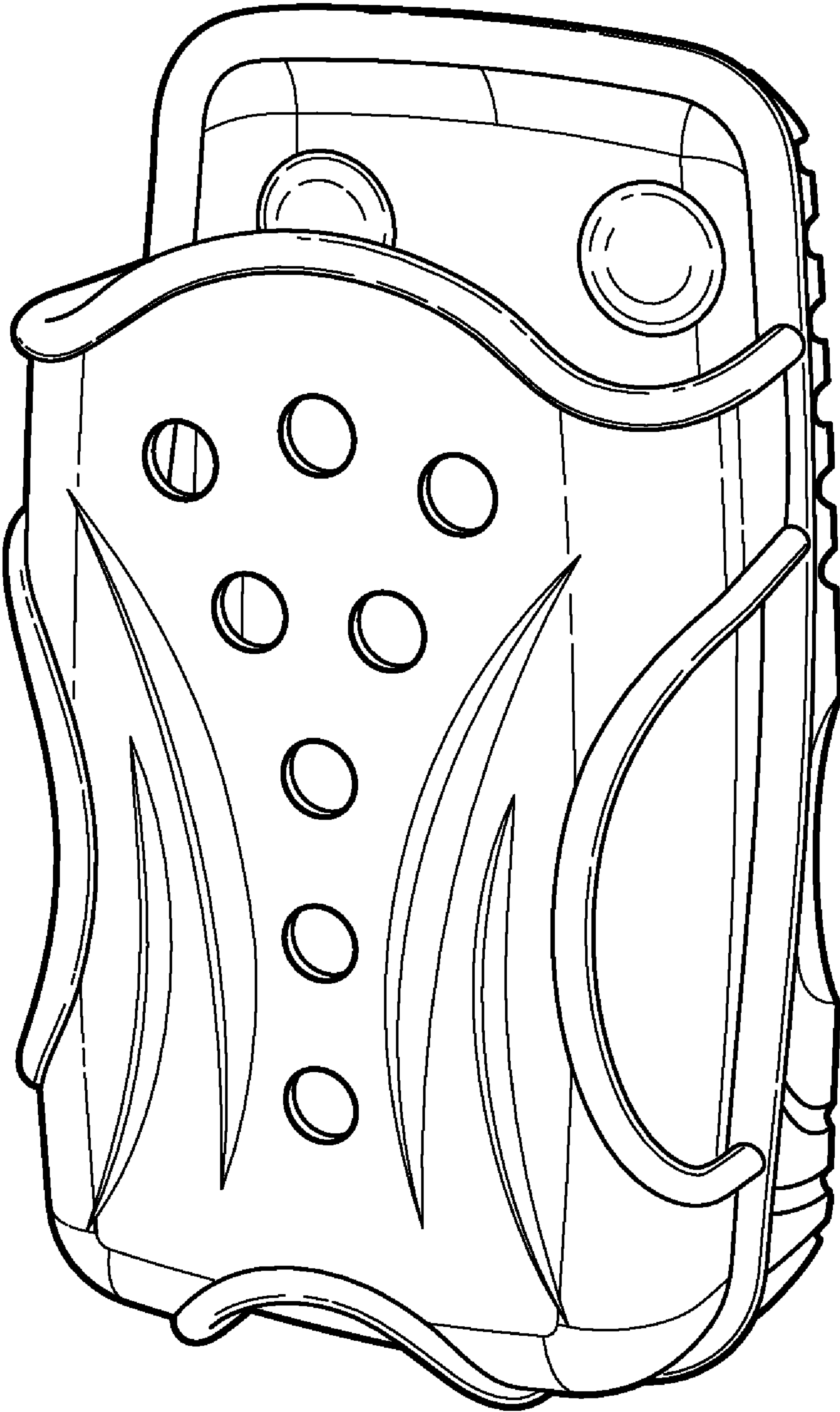


FIG. 1

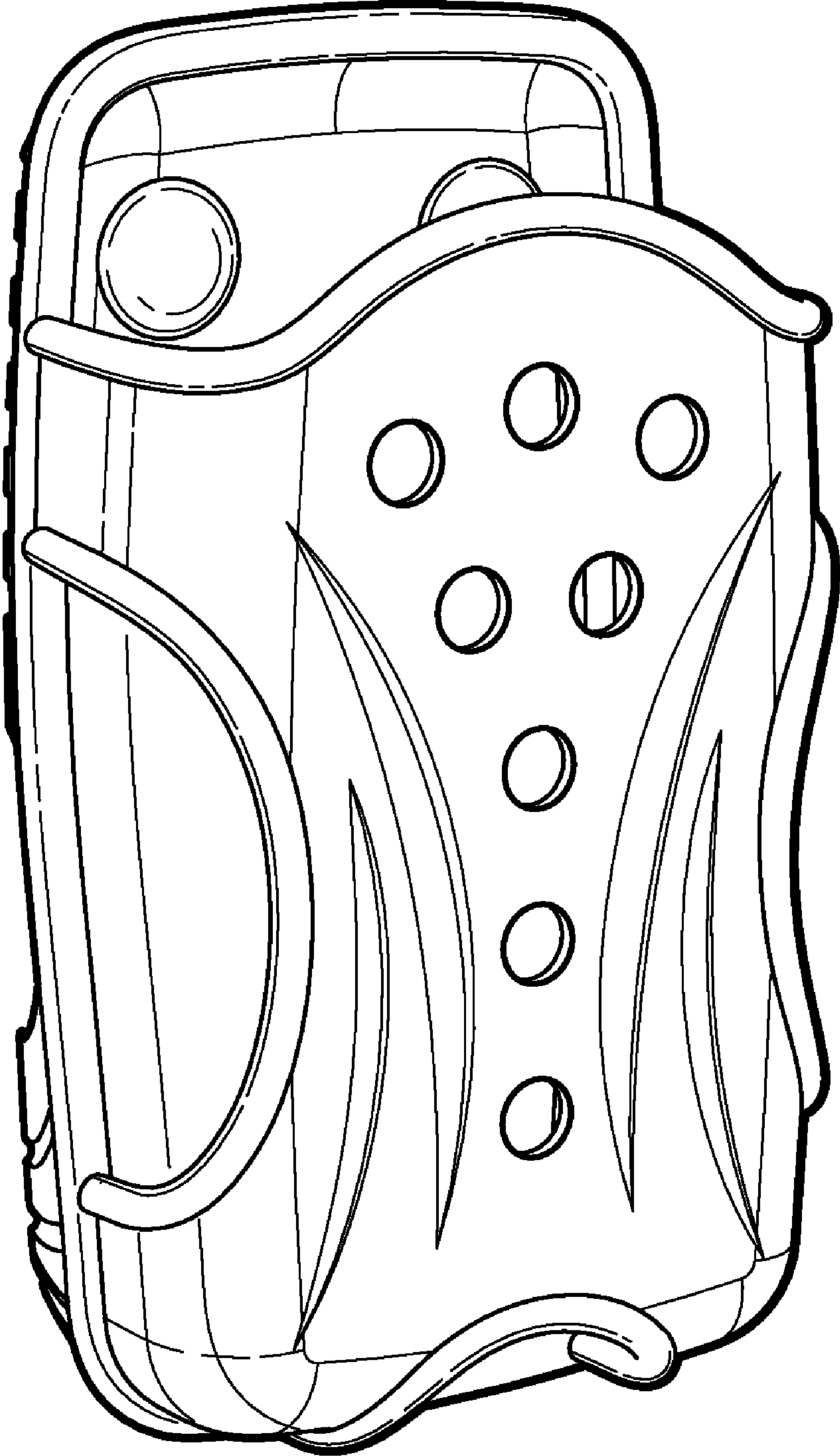


FIG. 2

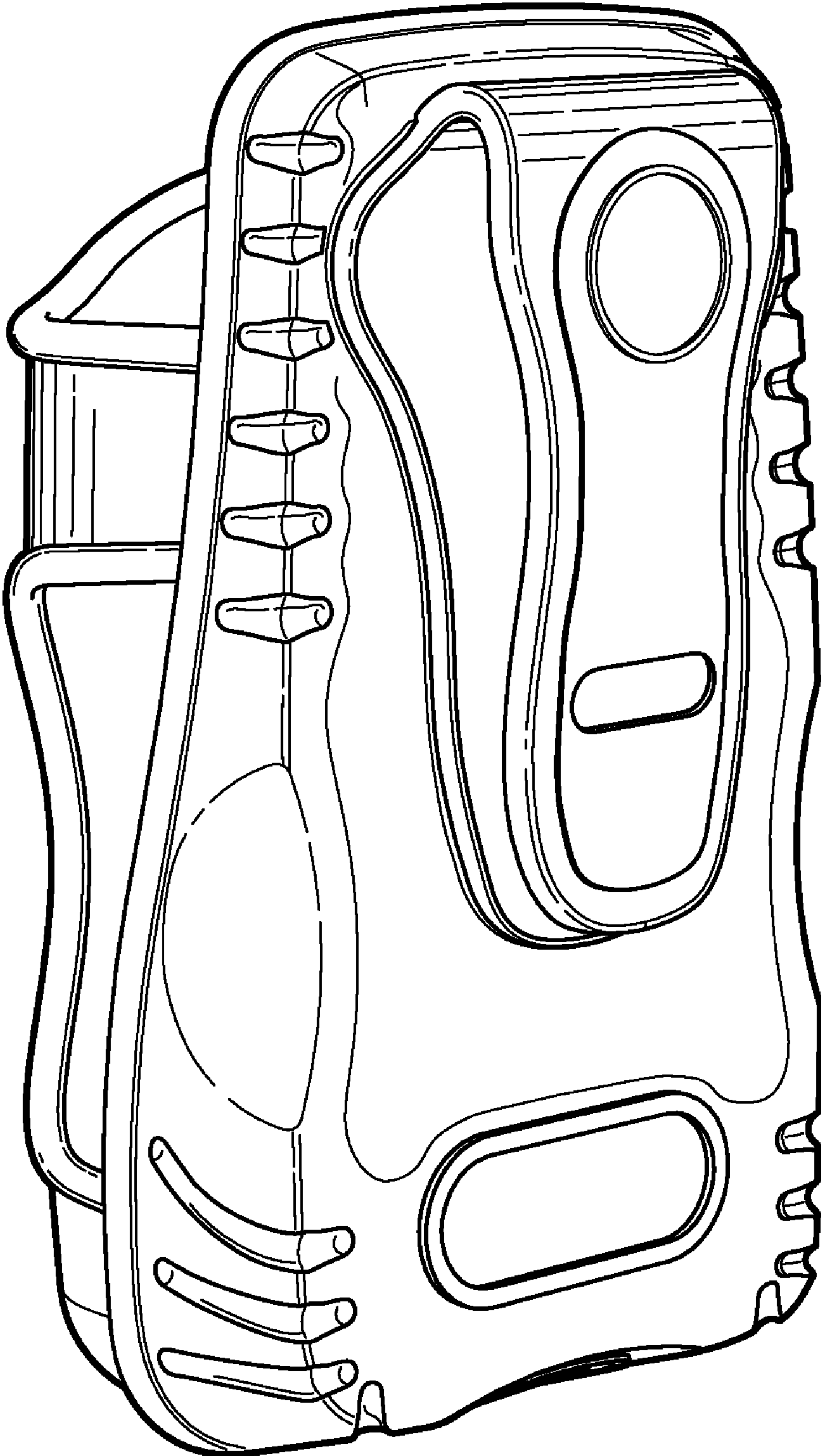


FIG. 3

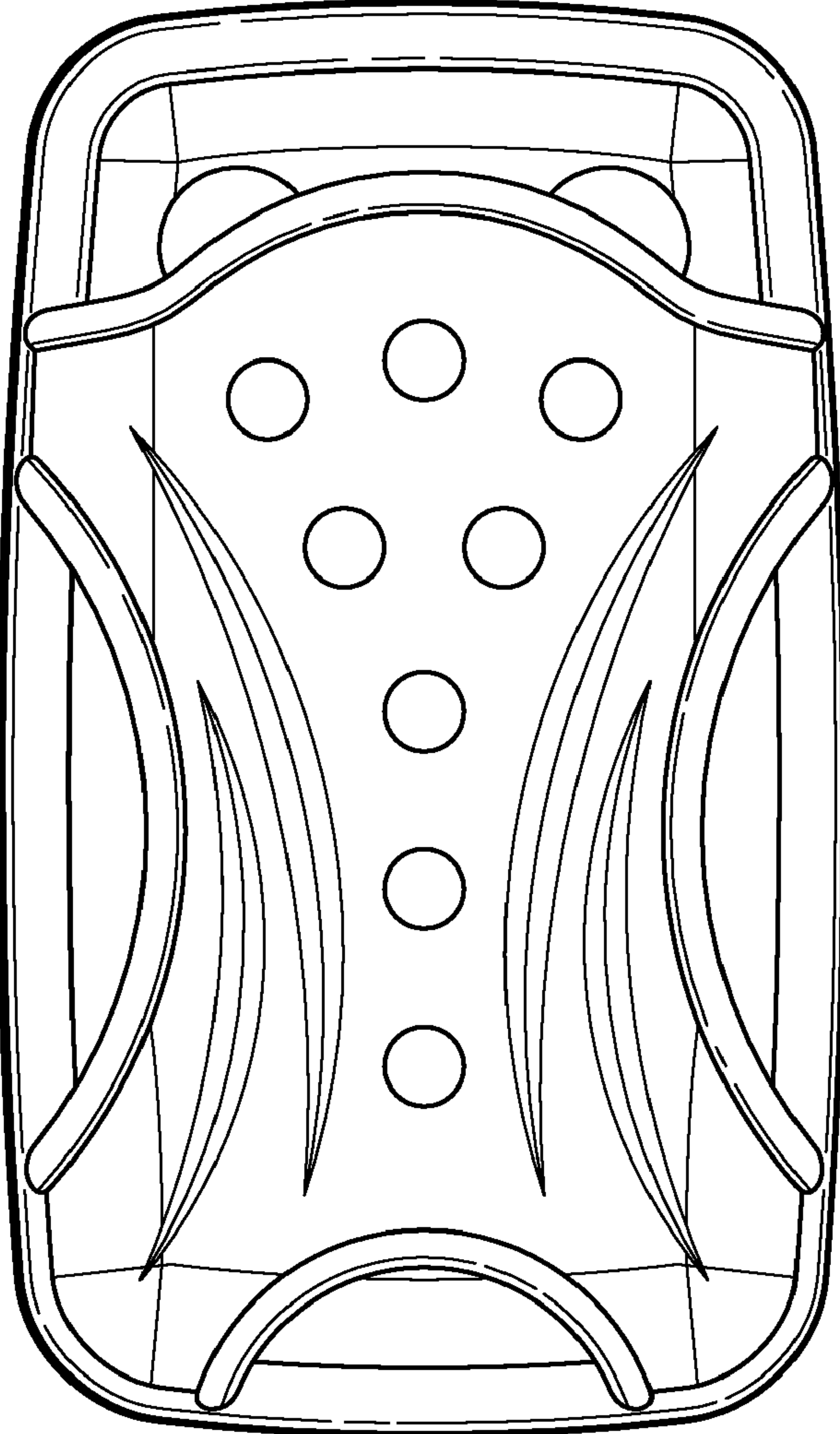


FIG. 4

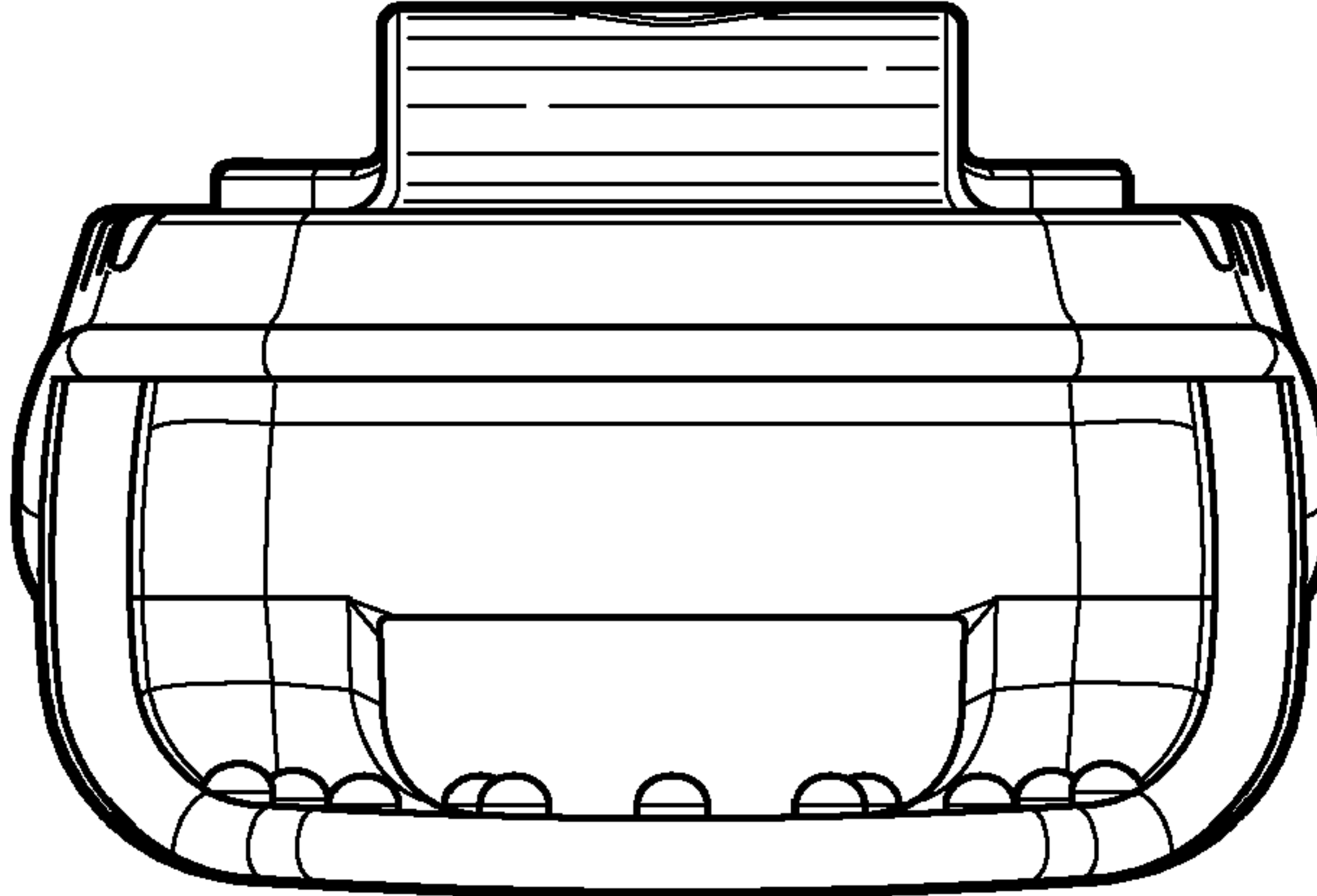


FIG. 5

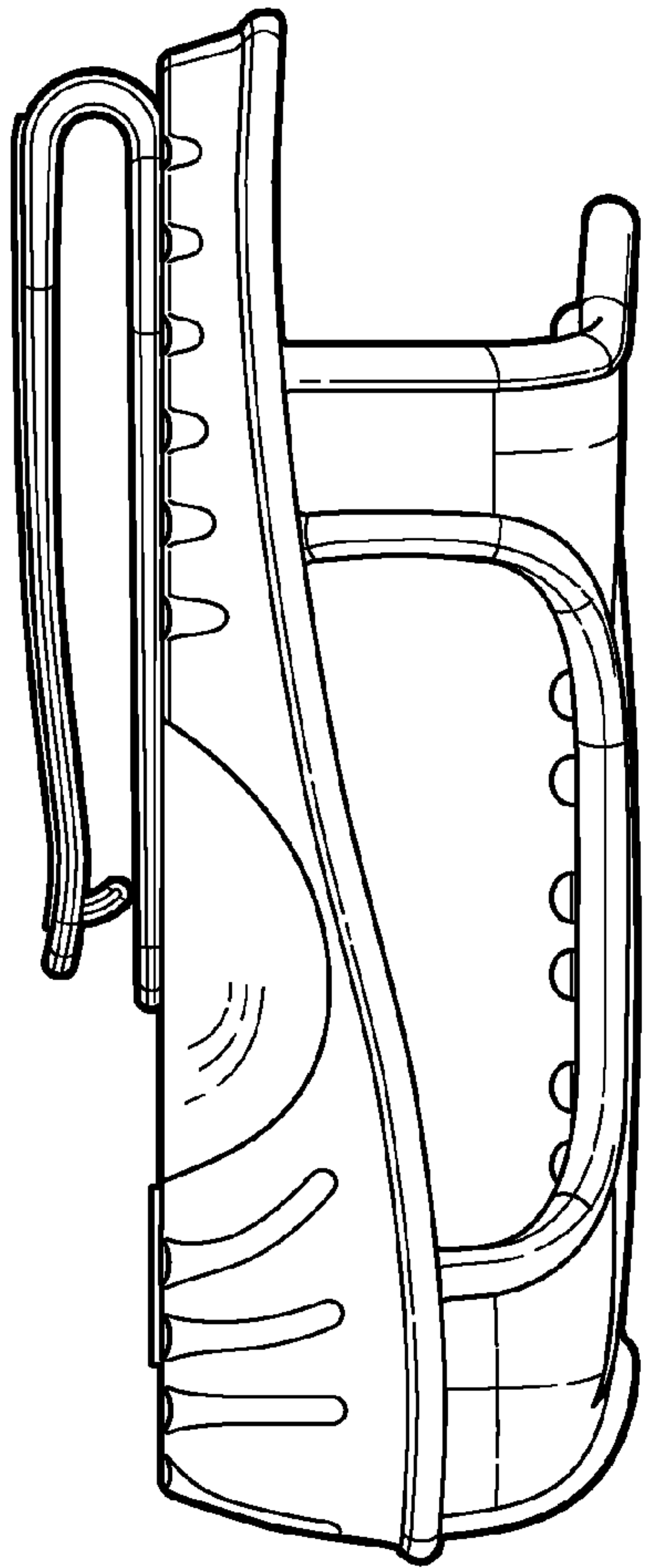


FIG. 6

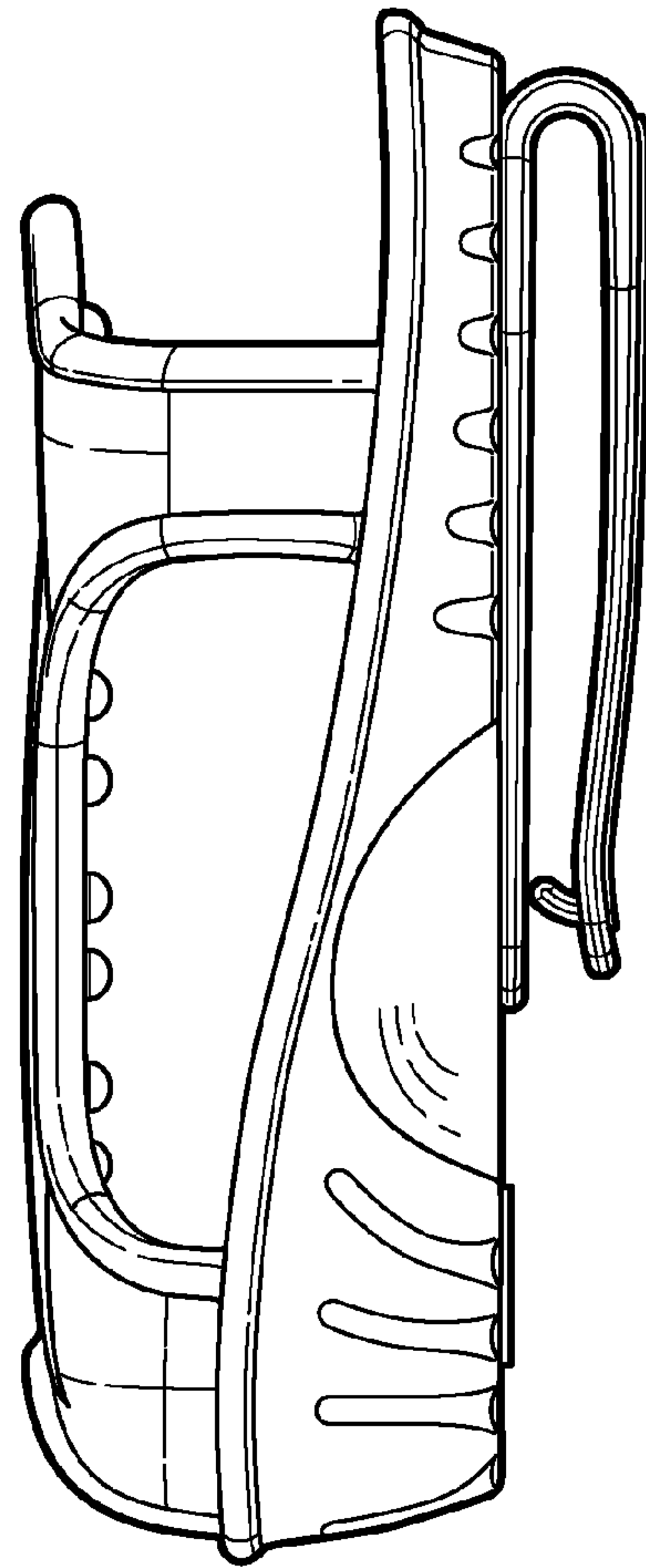


FIG. 7

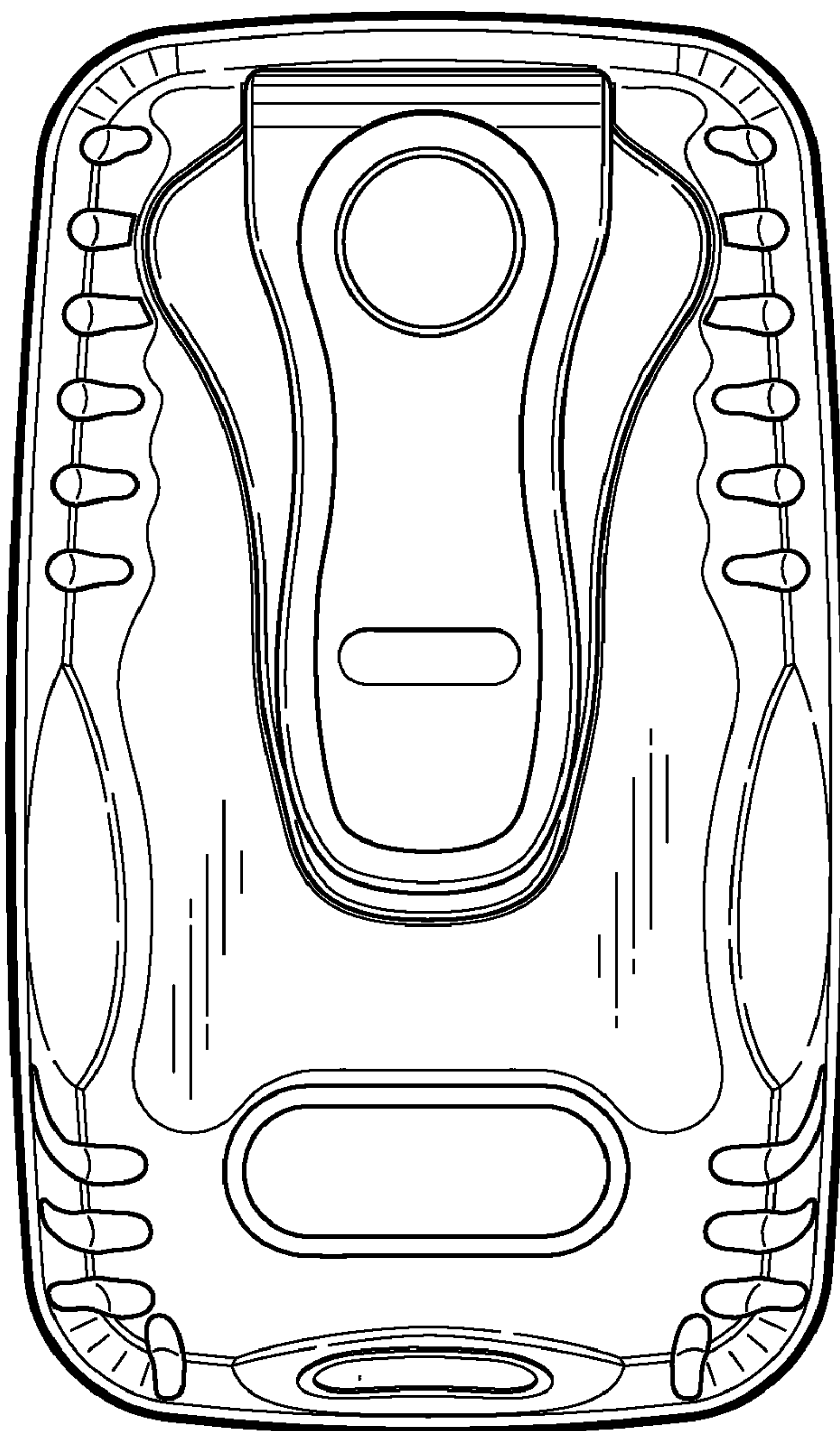


FIG. 8

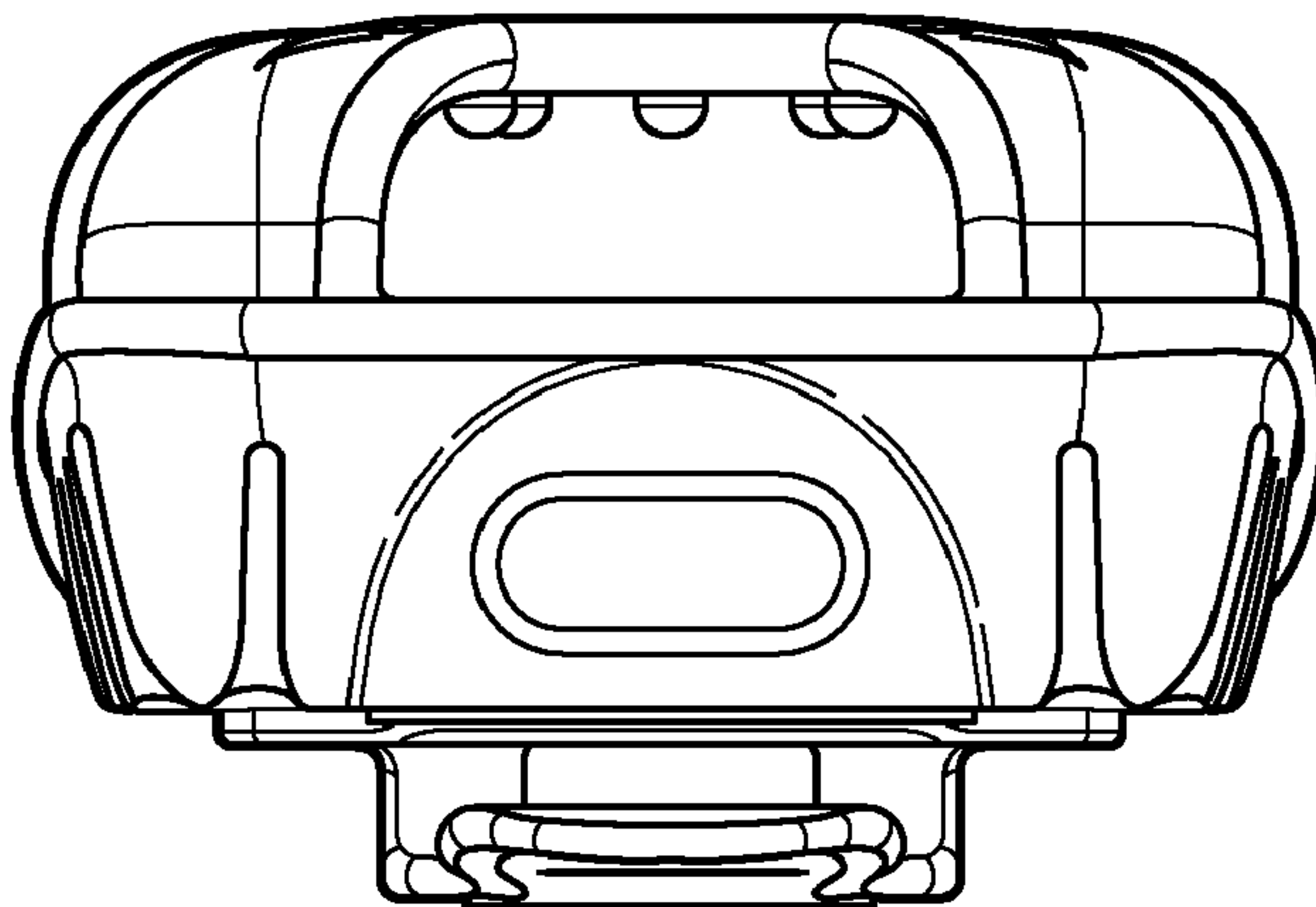


FIG. 9