



US00D599994S

(12) **United States Design Patent**
Elliott et al.

(10) **Patent No.:** **US D599,994 S**

(45) **Date of Patent:** **** Sep. 15, 2009**

(54) **SUPPORTIVE ELASTIC INSERT FOR A SHOE**

(75) Inventors: **Robert L. Elliott**, Topeka, KS (US);
Steven C. Waugh, Topeka, KS (US);
Tsun-Mu Tseng, Taichung (TW);
I-Chang Lee, Hong Kong (CN); **Guo**
Cheng Huang, Taichung (TW)

(73) Assignee: **Payless ShoeSource Worldwide, Inc.**,
Topeka, KS (US)

(**) Term: **14 Years**

(21) Appl. No.: **29/267,417**

(22) Filed: **Oct. 13, 2006**

(51) **LOC (9) Cl.** **02-99**

(52) **U.S. Cl.** **D2/961**

(58) **Field of Classification Search** D2/946,
D2/961; 36/43, 44, 31, 145-182

See application file for complete search history.

(56) **References Cited**

U.S. PATENT DOCUMENTS

D199,300 S	10/1964	Martin	
D204,596 S	5/1966	Anson	
4,486,964 A	12/1984	Rudy	
4,506,460 A	3/1985	Rudy	
D319,919 S	9/1991	Niarhos	
D343,504 S *	1/1994	Lee	D2/961
D347,315 S *	5/1994	Sell et al.	D2/961
D350,432 S	9/1994	Saez	
5,572,808 A *	11/1996	Birke	36/43
D383,894 S *	9/1997	Snyder et al.	D2/961
D399,042 S	10/1998	Strawser et al.	
D408,120 S *	4/1999	Fair	D2/961
D446,917 S *	8/2001	Brown	D2/961
D471,698 S *	3/2003	Brown	D2/961
D474,589 S	5/2003	Dykes	
6,618,960 B2 *	9/2003	Brown	36/44
D485,424 S *	1/2004	Kielt et al.	D2/961

D485,667 S *	1/2004	Kielt et al.	D2/961
D485,687 S	1/2004	Kieli et al.	
D495,861 S	9/2004	Georgiou et al.	
D496,781 S	10/2004	Hikade et al.	
D497,472 S *	10/2004	Vasyli	D2/961
6,846,379 B1	1/2005	Bove et al.	
6,889,452 B2	5/2005	Ailey et al.	
6,973,743 B1	12/2005	Mowery	
8,973,743	12/2005	Mowery	
D515,293 S	2/2006	Maguire	
D518,945 S	4/2006	Vasyli	
7,107,705 B2	9/2006	Dalton et al.	
D529,698 S	10/2006	Hikade et al.	
D532,586 S	11/2006	Birkenstock	
D533,336 S	12/2006	Walker	

* cited by examiner

Primary Examiner—Dominic Simone

(74) *Attorney, Agent, or Firm*—Lathrop & Gage LLP

(57) **CLAIM**

The ornamental design for a supportive elastic insert for a shoe, as shown and described.

DESCRIPTION

FIG. 1 is a top perspective view of a supportive elastic insert for a shoe, showing the new design;

FIG. 2 is a top plan view of the supportive elastic insert for a shoe;

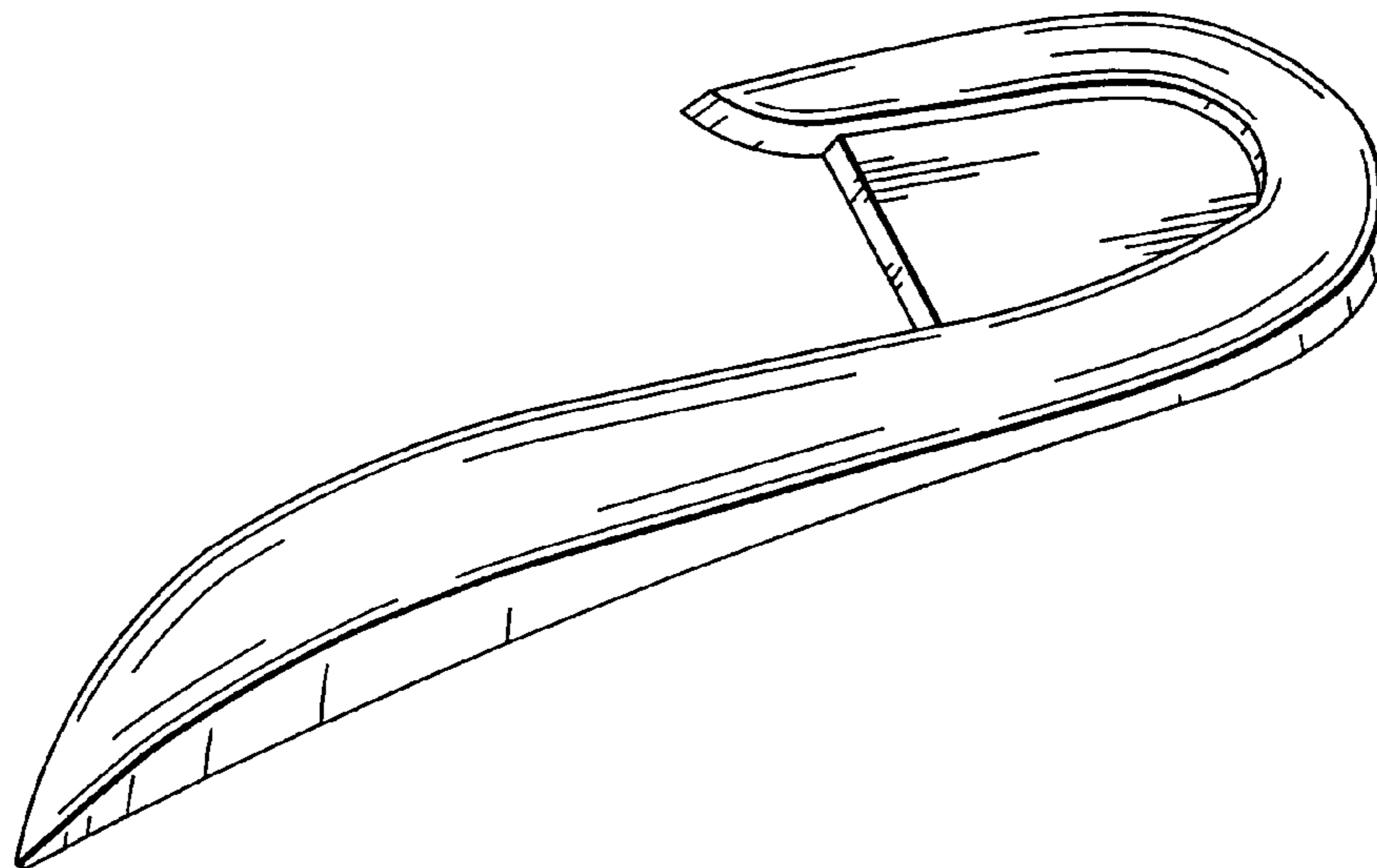
FIG. 3 is a medial side elevational view of the supportive elastic insert for a shoe;

FIG. 4 is a lateral side elevational view of the supportive elastic insert for a shoe;

FIG. 5 is a front elevational view of the supportive elastic insert for a shoe; and,

FIG. 6 is a rear elevational view of the supportive elastic insert for a shoe.

1 Claim, 3 Drawing Sheets



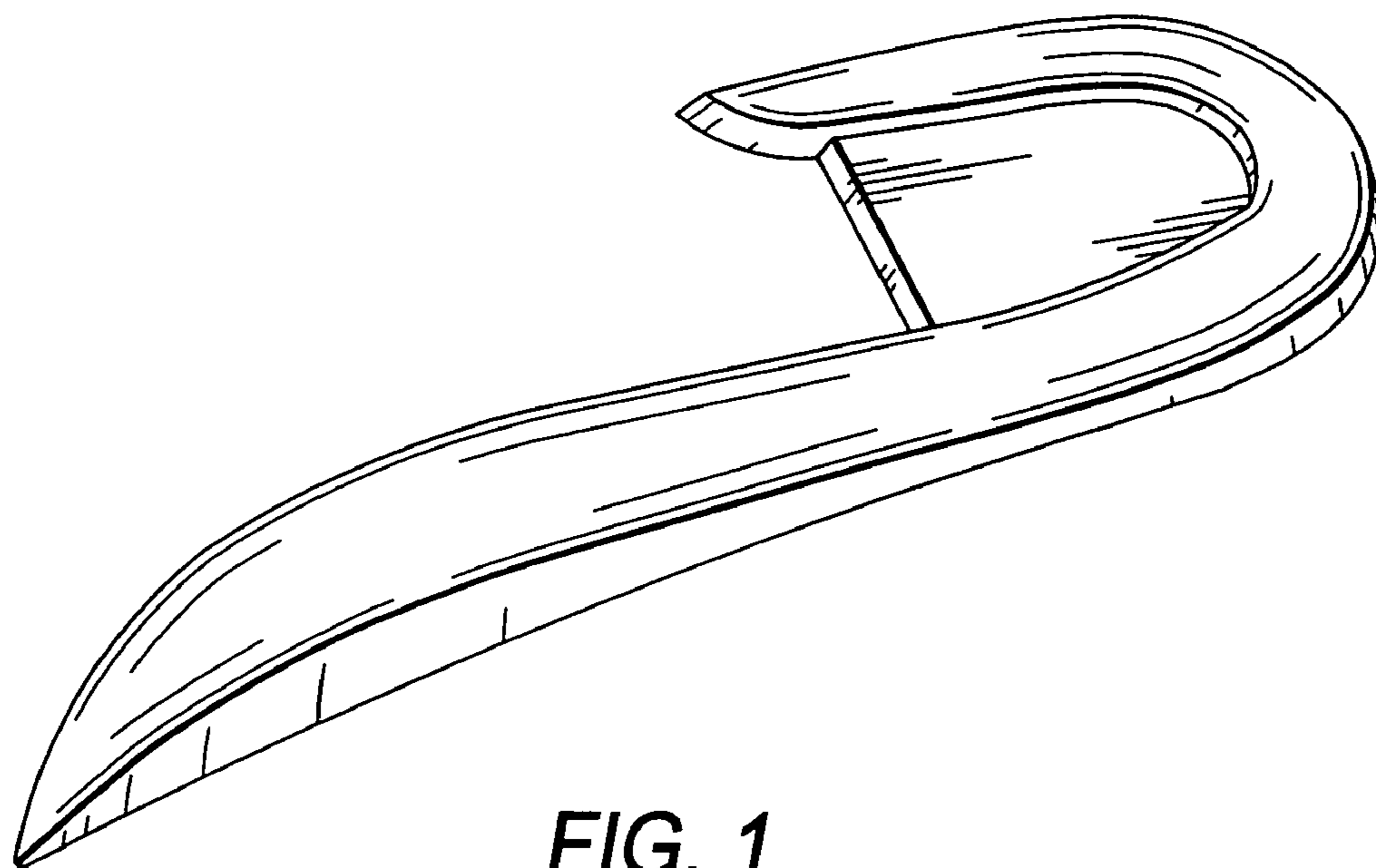


FIG. 1

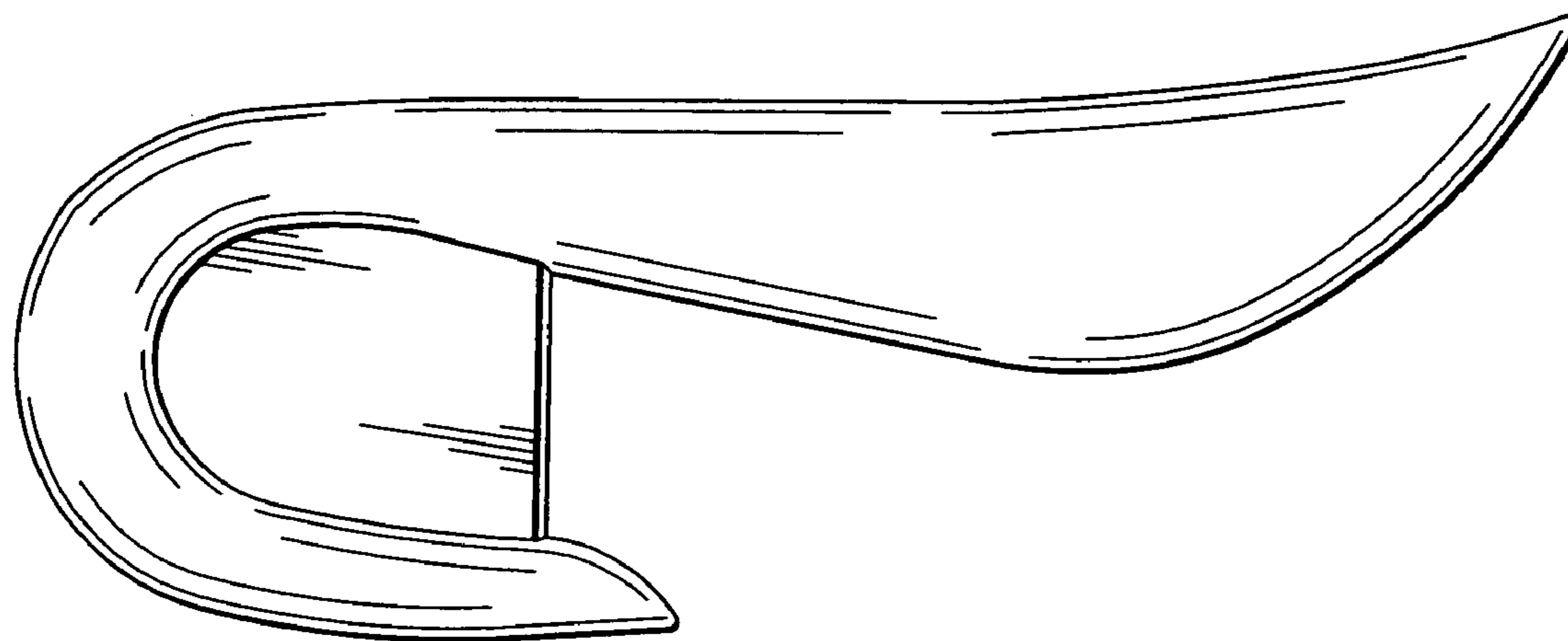


FIG. 2



FIG. 3

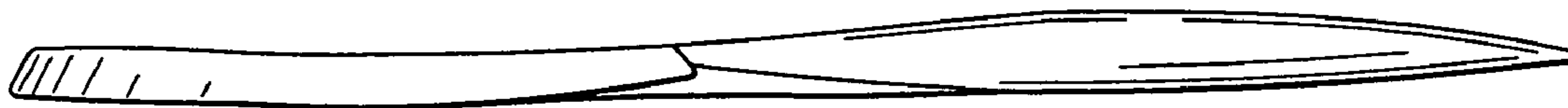


FIG. 4



FIG. 5



FIG. 6