



US00D599980S

(12) **United States Design Patent**  
**Cho**

(10) **Patent No.:** **US D599,980 S**

(45) **Date of Patent:** **\*\* Sep. 15, 2009**

(54) **SWEATBAND**

(75) Inventor: **Byoung-Woo Cho**, Gyeonggi-do (KR)

(73) Assignee: **Yupoong, Inc.** (KR)

(\*\*) Term: **14 Years**

(21) Appl. No.: **29/321,772**

(22) Filed: **Jul. 23, 2008**

(51) **LOC (9) Cl.** ..... **02-03**

(52) **U.S. Cl.** ..... **D2/894**

(58) **Field of Classification Search** ..... D2/865,  
D2/866, 878, 879, 880, 881, 882, 884, 886,  
D2/891, 892, 894; D29/102, 103, 104, 105,  
D29/106, 109; 2/7, 10, 410, 171, 171.04,  
2/171.2, 171.4, 171.5, 181, 181.2, 181.4,  
2/181.6, 181.8, 182.1, 182.2, 182.3, 182.4,  
2/182.5, 182.6, 182.7, 182.8, 195.1, 195.2,  
2/195.3, 195.4, 200.1, 200.2, 209.11, 209.12,  
2/209.13, 209.4, 209.5, 209.7; 607/109

See application file for complete search history.

(56) **References Cited**

**U.S. PATENT DOCUMENTS**

277,729	A *	5/1883	Hoehn	.....	2/181
3,949,130	A *	4/1976	Sabee et al.	.....	428/192
D247,931	S *	5/1978	Naysmith	.....	D29/122
4,540,414	A *	9/1985	Wishman	.....	604/378
5,025,504	A *	6/1991	Benston et al.	.....	2/181.4
5,313,668	A *	5/1994	Bogan et al.	.....	2/181.4
5,509,915	A *	4/1996	Hanson et al.	.....	604/378
6,115,844	A	9/2000	Cho		
D578,742	S *	10/2008	Cho	.....	D2/894
2003/0019013	A1 *	1/2003	Young	.....	2/181
2003/0097705	A1 *	5/2003	Han	.....	2/171

2004/0199979	A1	10/2004	Ngan		
2004/0250336	A1 *	12/2004	Cho	.....	2/171
2005/0160518	A1	7/2005	Cho		
2005/0160519	A1	7/2005	Cho		
2005/0223472	A1	10/2005	Shin		
2006/0048274	A1	3/2006	Lee		
2006/0048275	A1	3/2006	Cho		
2007/0079424	A1 *	4/2007	Cho	.....	2/195.1
2007/0157366	A1 *	7/2007	Cho	.....	2/181

\* cited by examiner

*Primary Examiner*—Elizabeth A Albert

*Assistant Examiner*—Karen E Eldridge Powers

(74) *Attorney, Agent, or Firm*—Fellers, Snider, Blankenship,  
Bailey & Tippens

(57) **CLAIM**

The ornamental design for a sweatband, as shown and described.

**DESCRIPTION**

FIG. 1 is a perspective view of a sweatband according to my new design;

FIG. 2 is a front elevational view thereof;

FIG. 3 is a rear elevational view thereof;

FIG. 4 is a left side elevational view thereof;

FIG. 5 is a right side elevational view thereof;

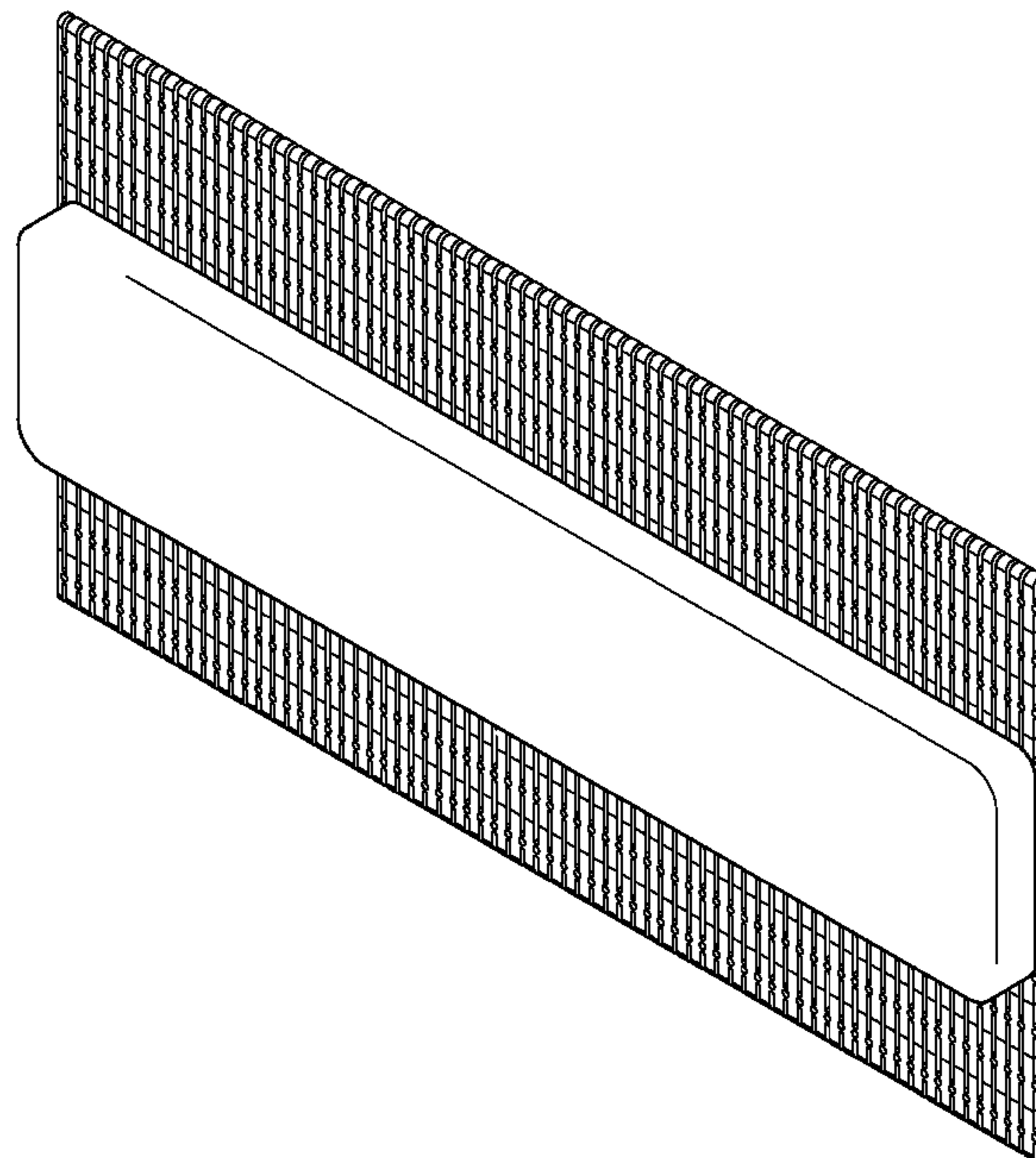
FIG. 6 is a top plan view thereof; and

FIG. 7 is a bottom plan view thereof; and,

FIG. 8 is a further left side elevational view thereof, showing the position of the sweatband when in use.

The broken lines shown in FIG. 8 illustrate environmental matter and form no part of the claimed design.

**1 Claim, 6 Drawing Sheets**



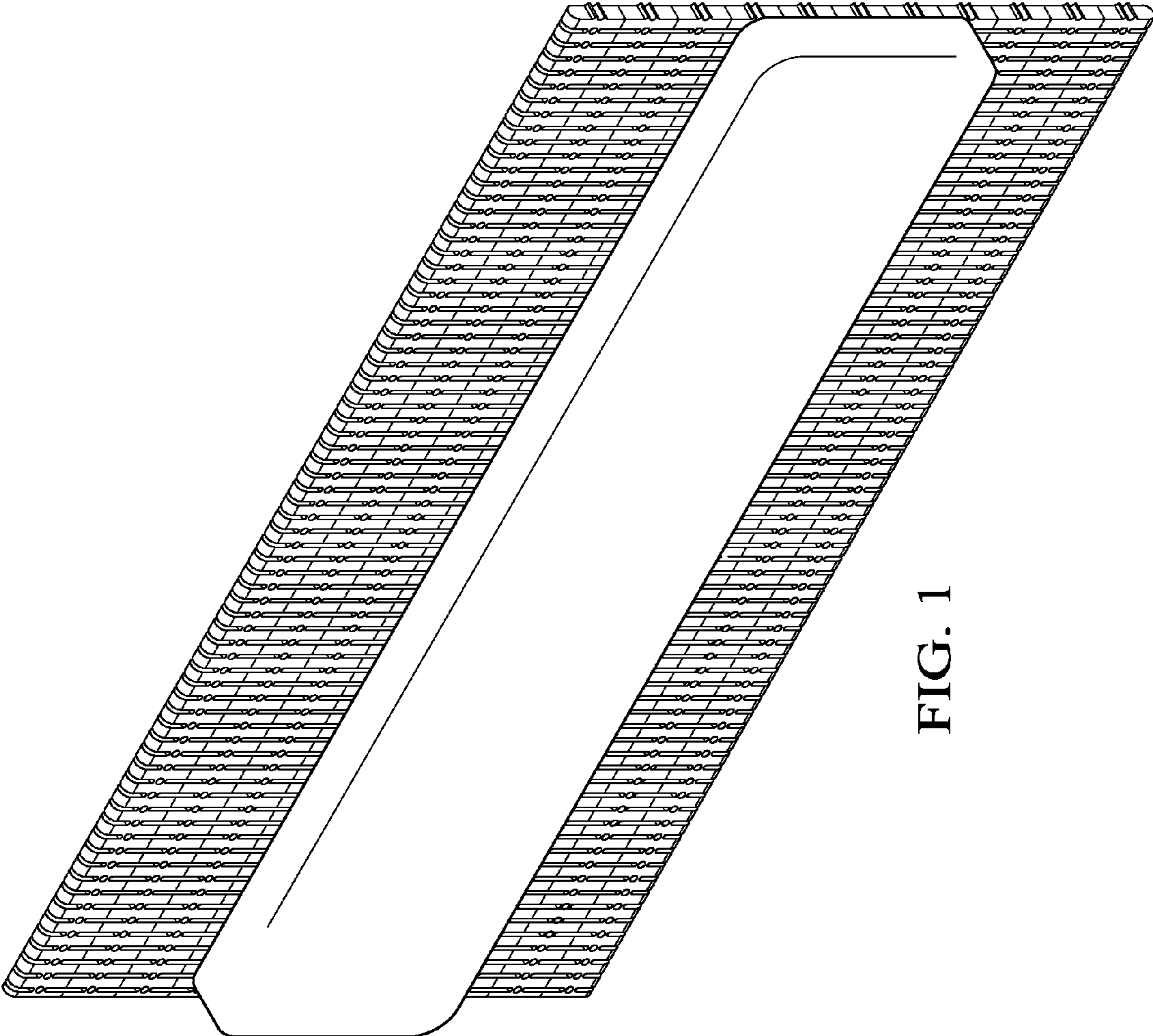


FIG. 1

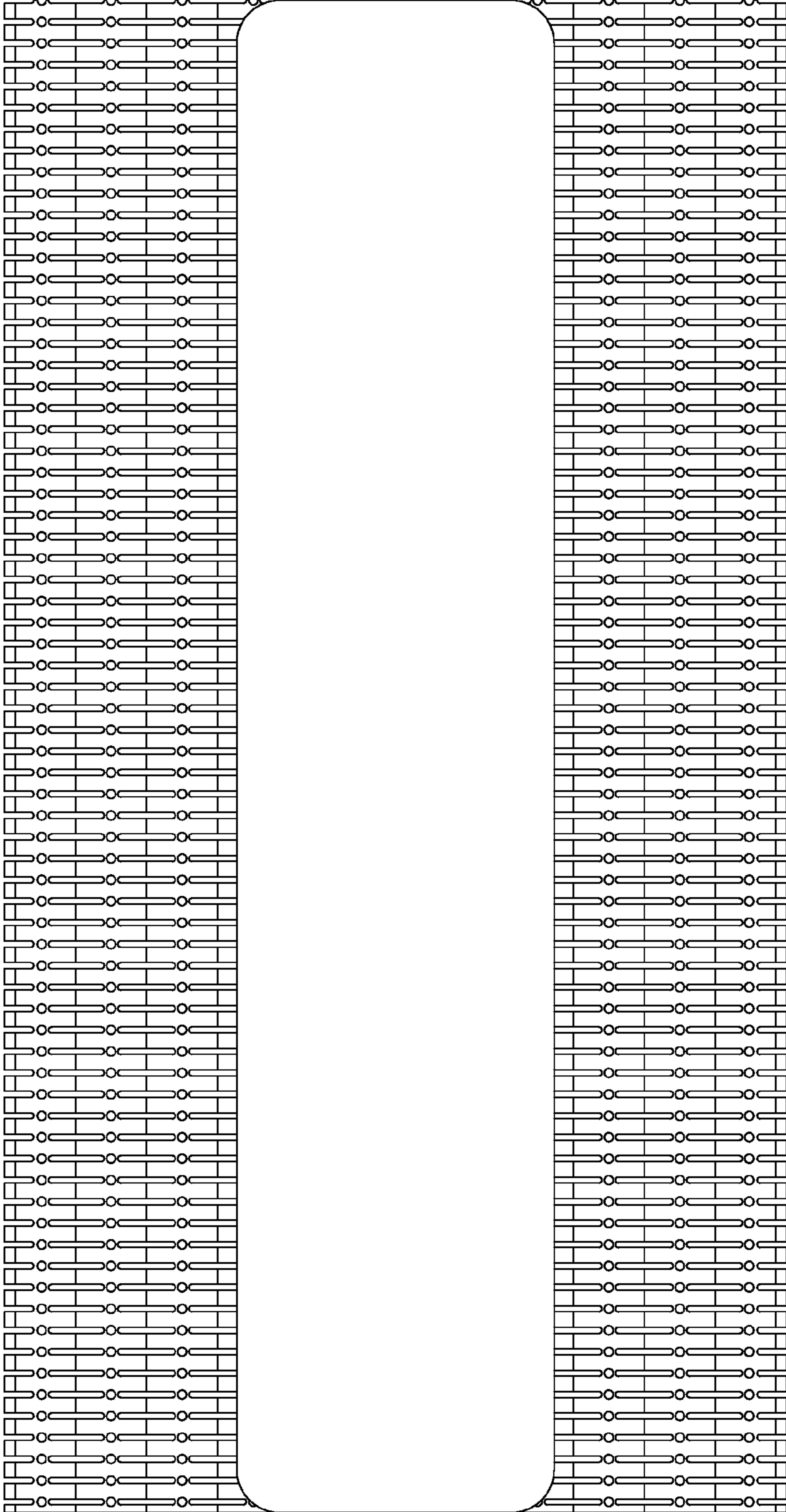


FIG. 2

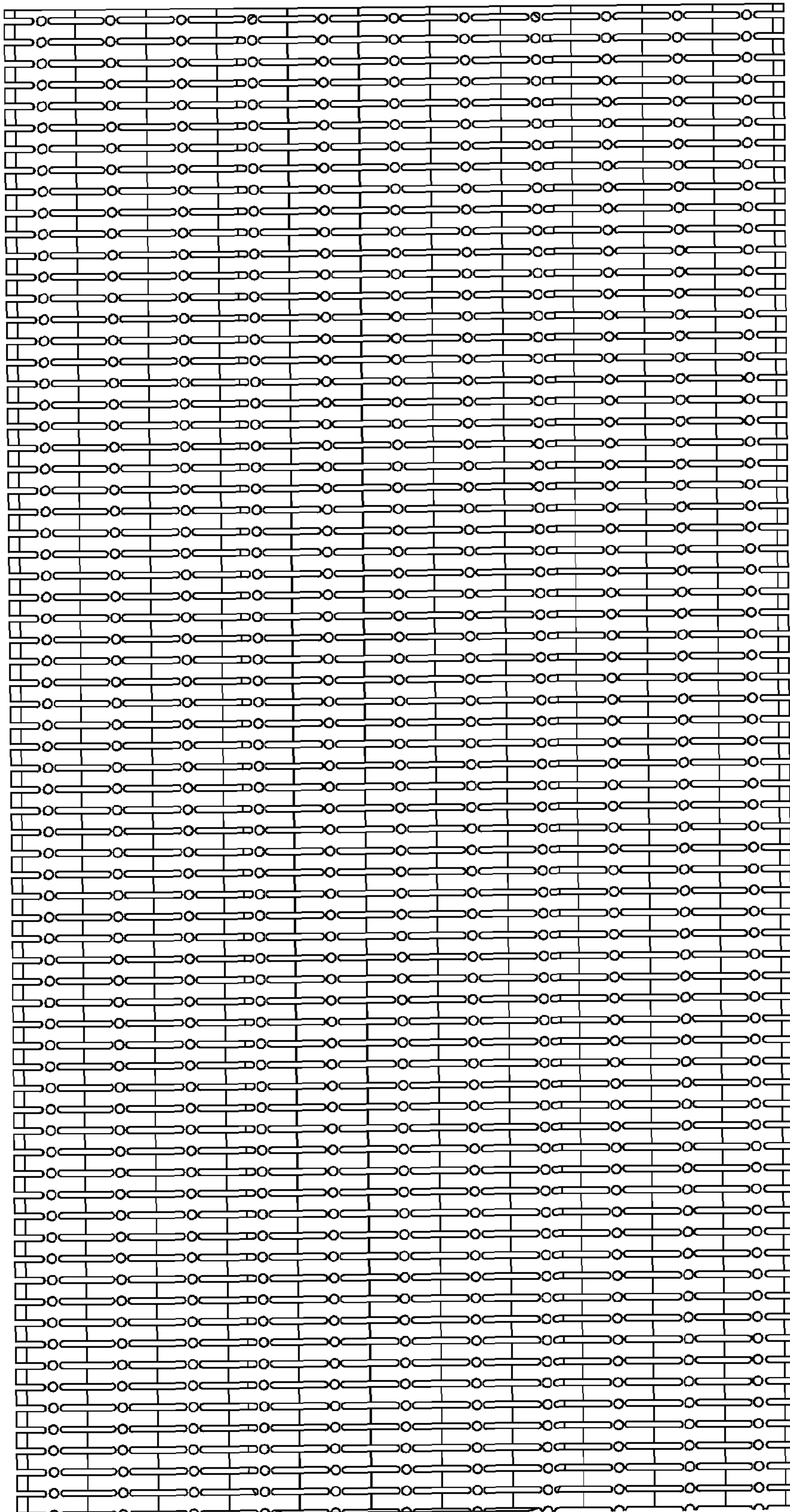


FIG. 3

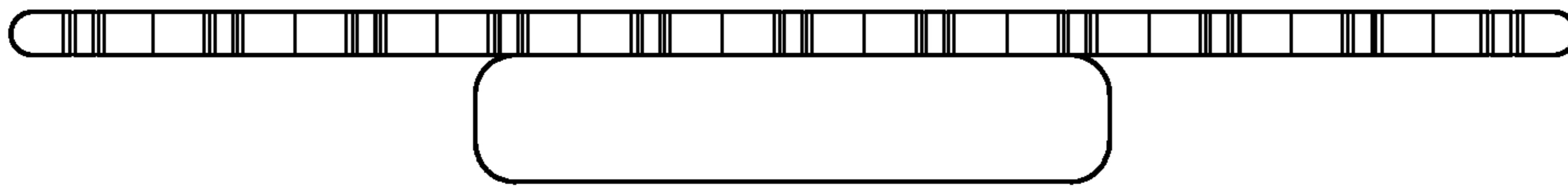


FIG. 5

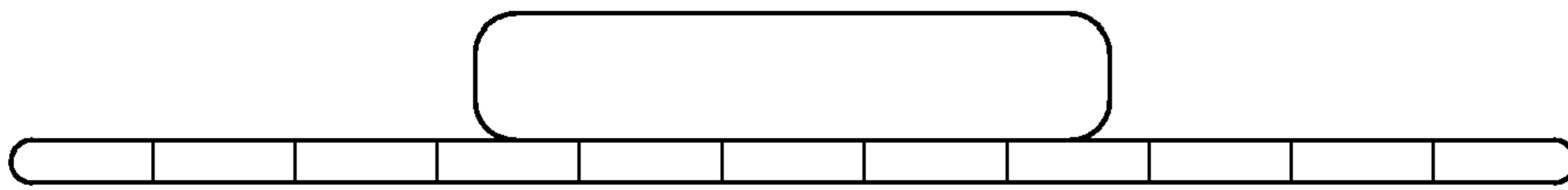


FIG. 4

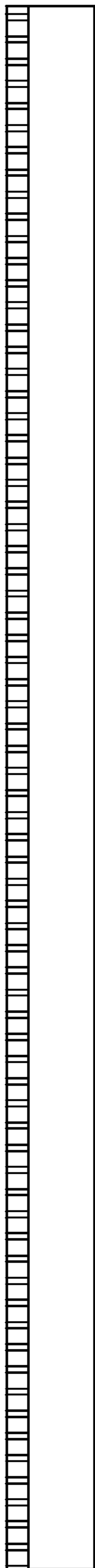


FIG. 6

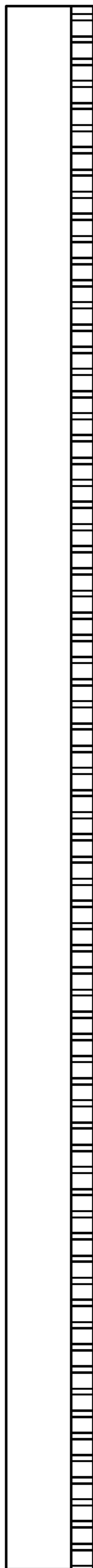


FIG. 7

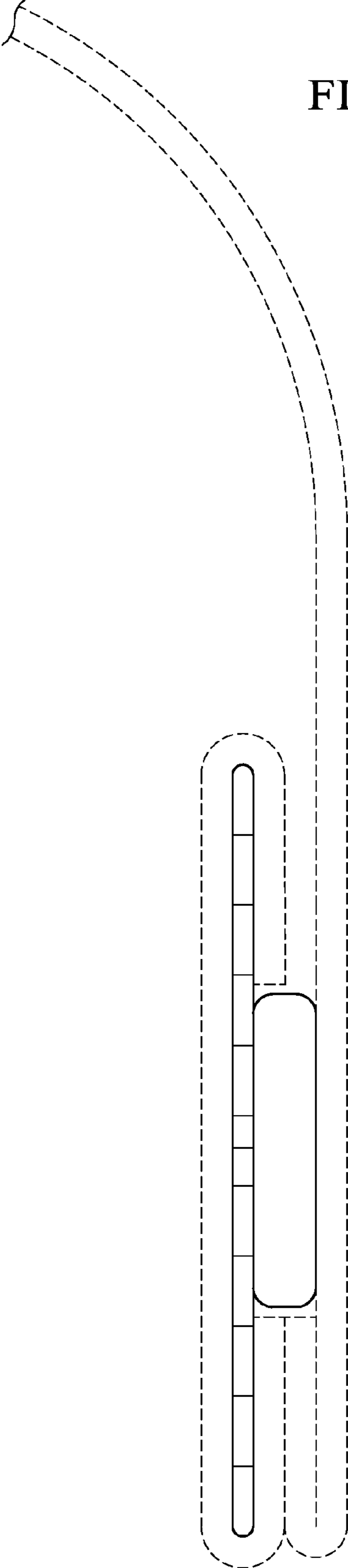


FIG. 8