

US00D599974S

(12) **United States Design Patent**
Old

(10) **Patent No.:** **US D599,974 S**

(45) **Date of Patent:** **** Sep. 8, 2009**

(54) **FORK LIFT ATTACHMENT**

(75) Inventor: **Fraser Patison Old**, Killara (AU)

(73) Assignee: **Finglen Pty Limited**, Killara, NSW (AU)

(**) Term: **14 Years**

(21) Appl. No.: **29/327,676**

(22) Filed: **Nov. 11, 2008**

(30) **Foreign Application Priority Data**

May 22, 2008 (AU) 12511/2008

(51) **LOC (9) Cl.** **12-05**

(52) **U.S. Cl.** **D34/35**

(58) **Field of Classification Search** D34/28,
D34/35, 34; 180/315; 280/43.12; 187/224,
187/222; 414/685, 679, 294

See application file for complete search history.

(56) **References Cited**

U.S. PATENT DOCUMENTS

2,456,320 A * 12/1948 Repke 414/635
2,596,747 A * 5/1952 Ward et al. 414/785
3,684,113 A * 8/1972 Roller 414/621
3,908,844 A * 9/1975 Duffield 414/724

D257,430 S * 10/1980 Hickey D34/35
D260,010 S * 7/1981 Lindfors D34/34
D262,614 S * 1/1982 Helgesson D34/35
D298,677 S * 11/1988 Carlson et al. D34/35
D389,982 S * 1/1998 Kim D34/34
6,547,508 B2 * 4/2003 Perry 414/620

* cited by examiner

Primary Examiner—Cynthia E Ramirez
(74) *Attorney, Agent, or Firm*—Design IP

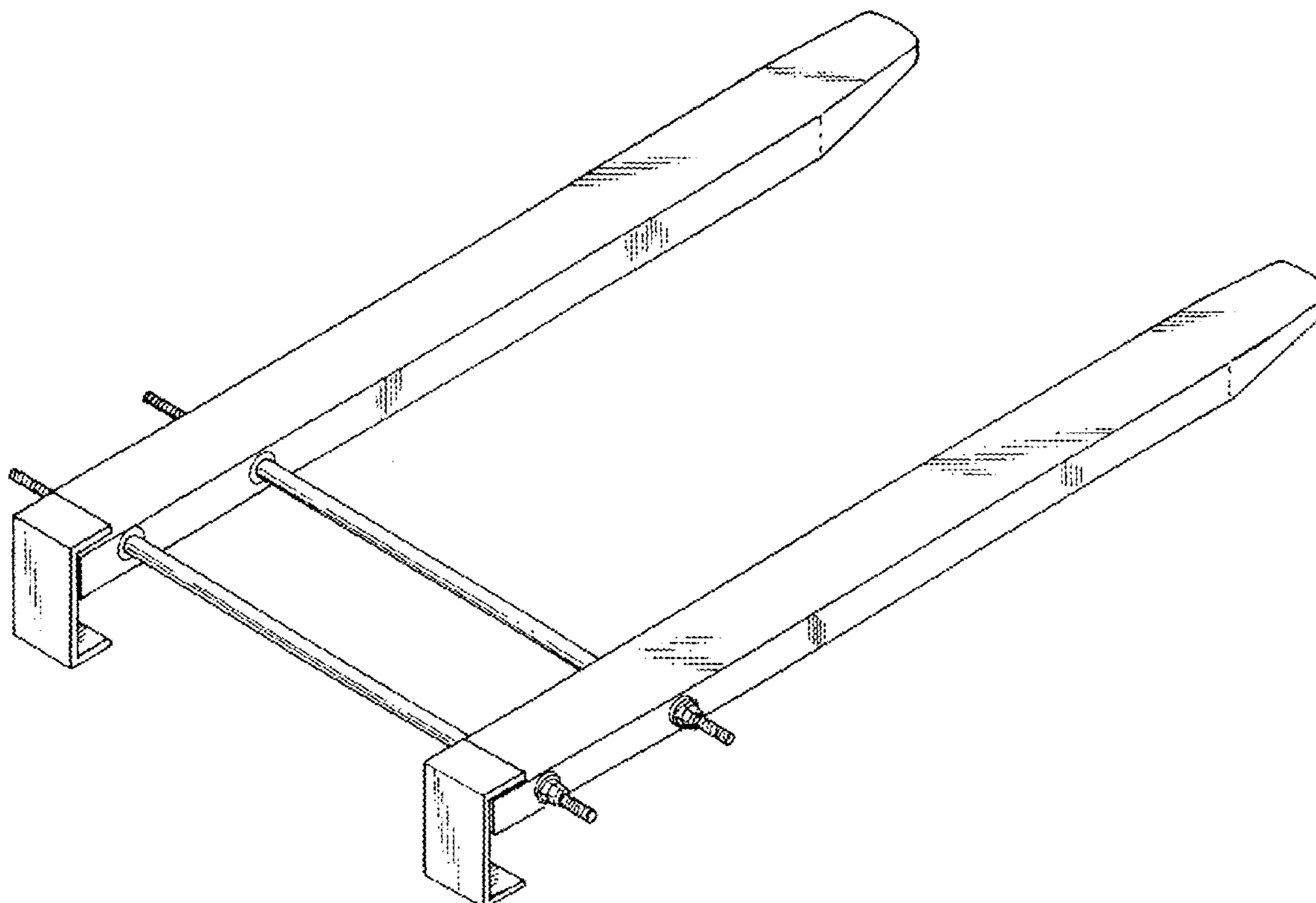
(57) **CLAIM**

The ornamental design for a fork lift attachment, as shown and described.

DESCRIPTION

FIG. 1 is a top perspective view showing my new design;
FIG. 2 is a bottom perspective view thereof;
FIG. 3 is a top plan view thereof;
FIG. 4 is a bottom plan view thereof;
FIG. 5 is a rear elevation view thereof;
FIG. 6 is a front elevation view thereof; and,
FIG. 7 is a right side elevation view thereof, the left side elevation view being a mirror image thereof.

1 Claim, 5 Drawing Sheets



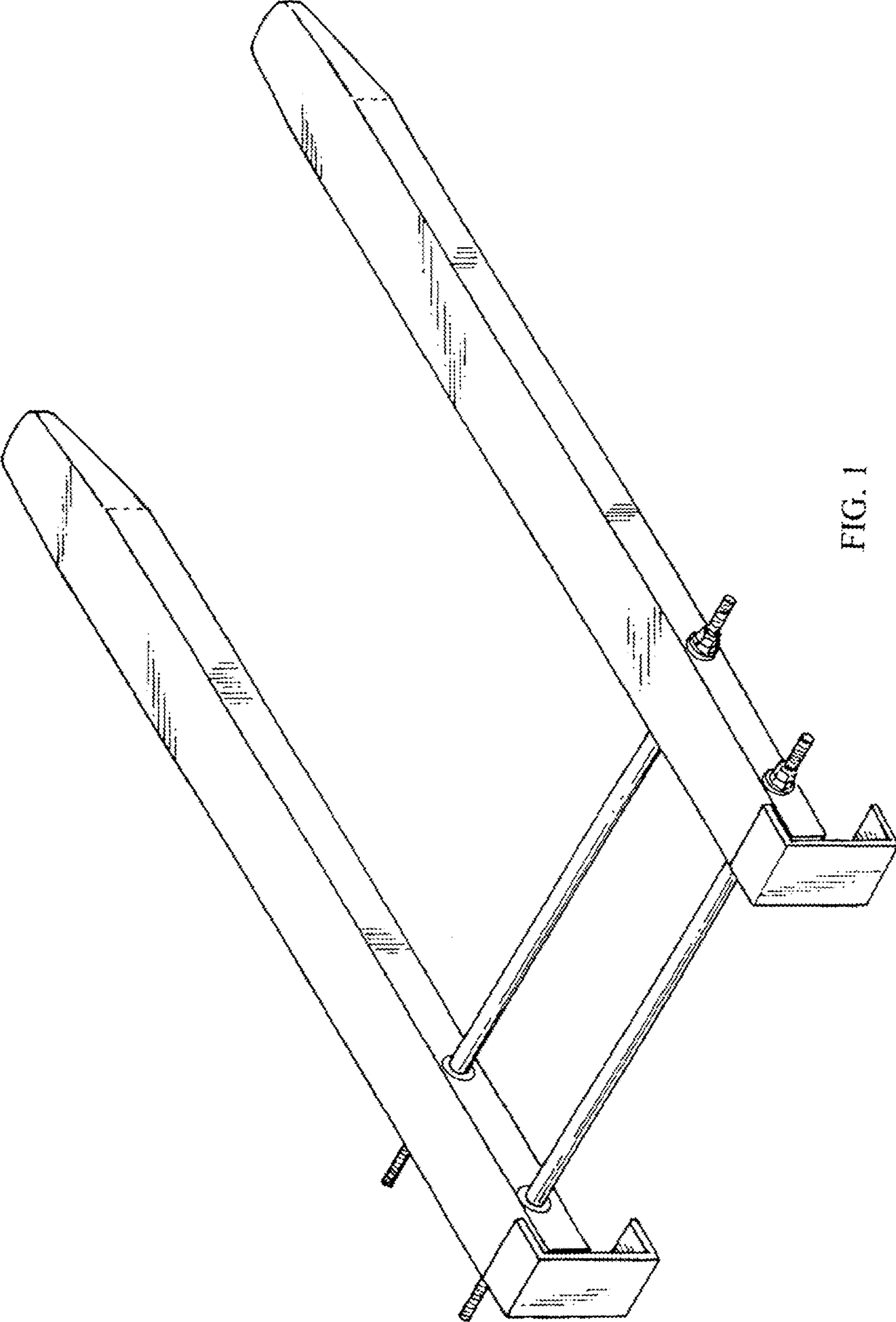


FIG. 1

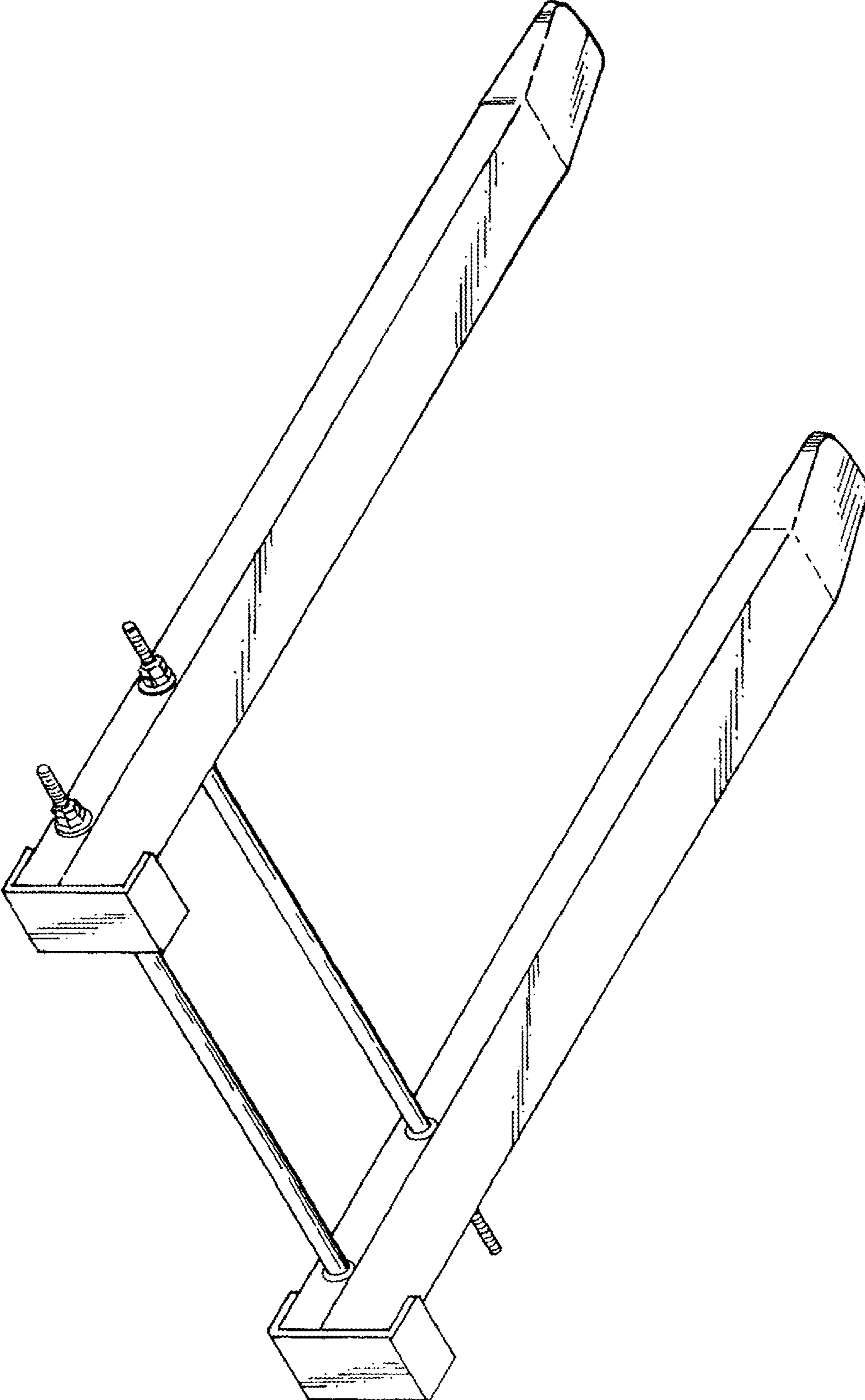


FIG. 2

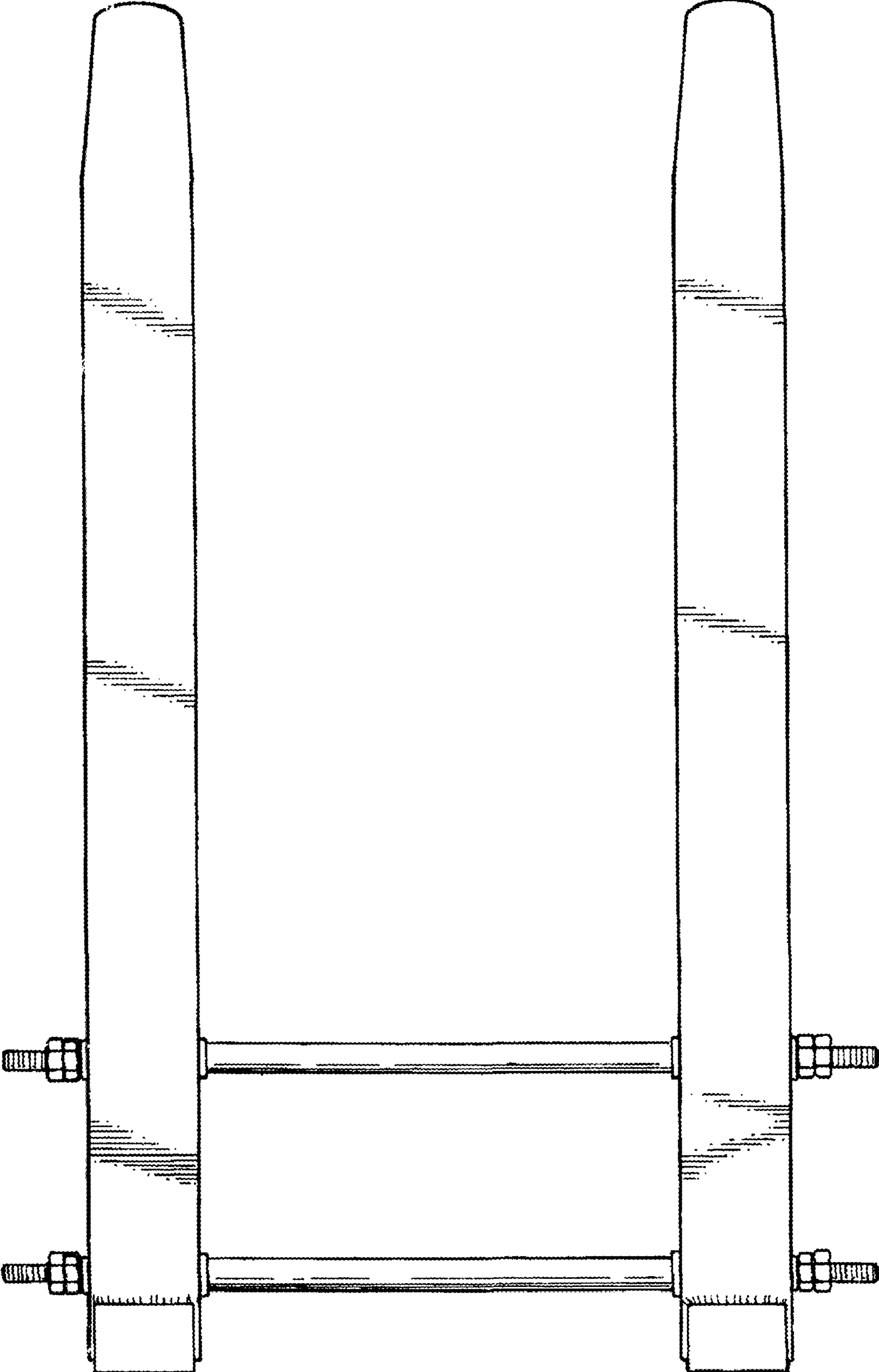


FIG. 3

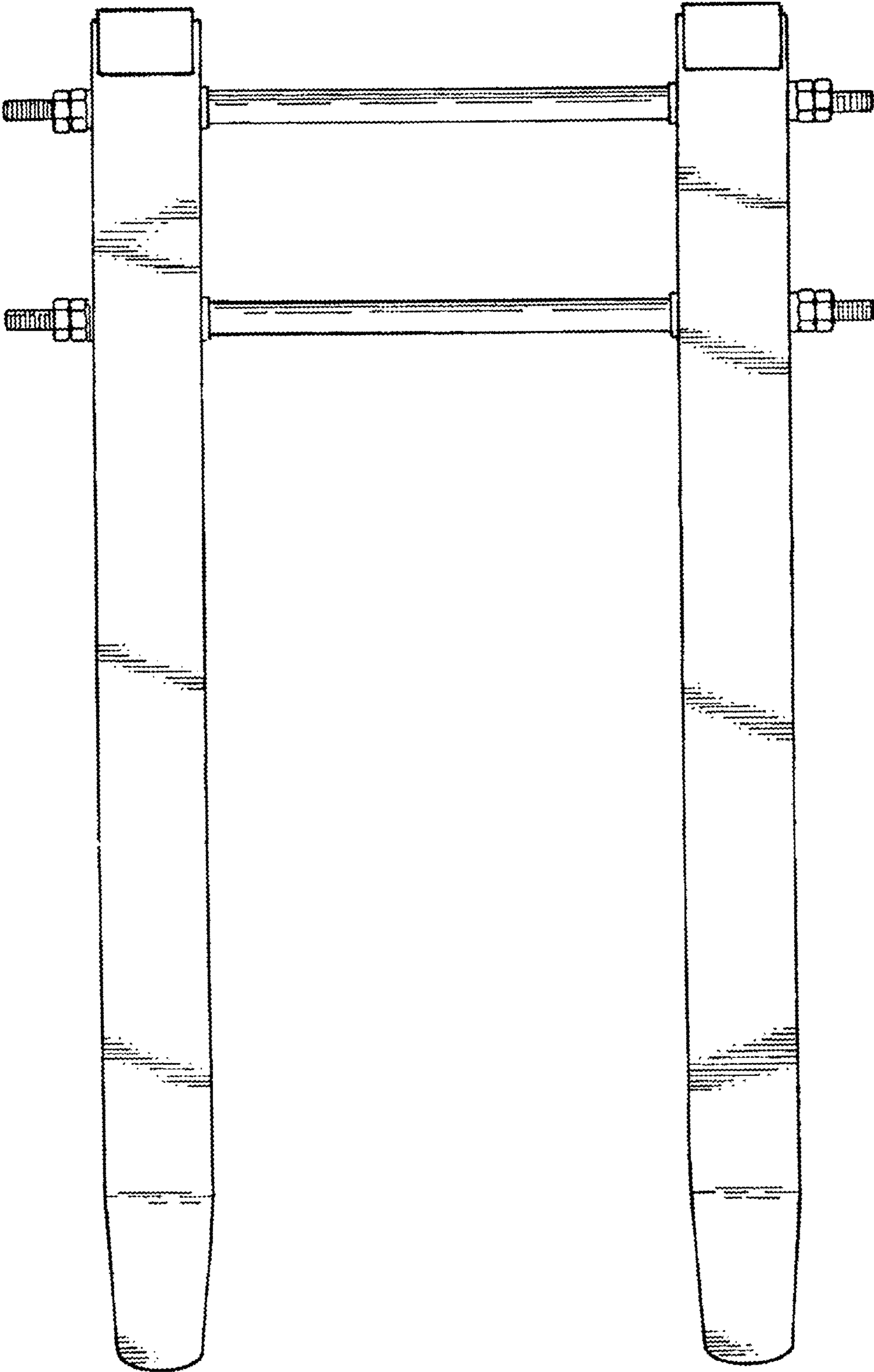


FIG. 4

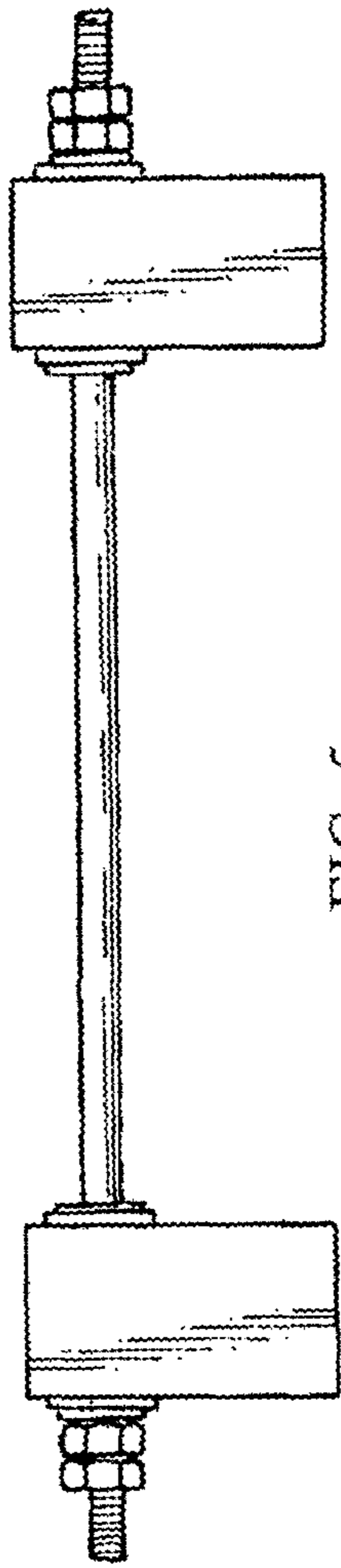


FIG. 5

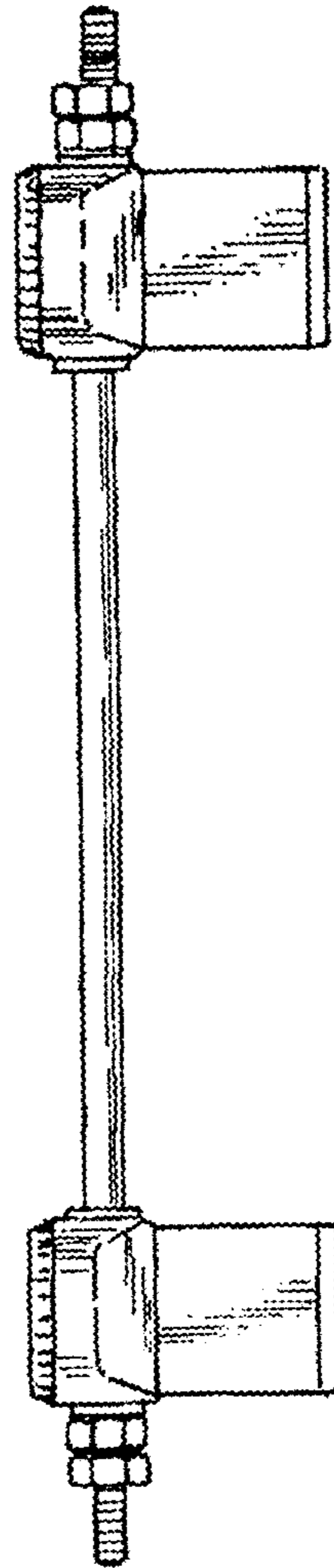


FIG. 6

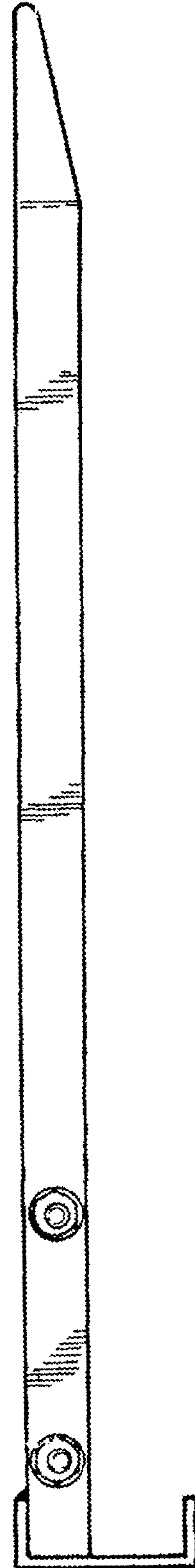


FIG. 7