



US00D599973S

(12) **United States Design Patent**
Liao

(10) **Patent No.:** **US D599,973 S**
(45) **Date of Patent:** **** Sep. 8, 2009**

(54) **GOLF CART**

(75) Inventor: **Gordon Liao, Yung Kang (TW)**

(73) Assignee: **Unique Product & Design Co., Ltd.,
Tainan Hsien (TW)**

(**) Term: **14 Years**

(21) Appl. No.: **29/323,290**

(22) Filed: **Aug. 22, 2008**

(51) **LOC (9) Cl.** **12-13**

(52) **U.S. Cl.** **D34/15**

(58) **Field of Classification Search** D34/12-27;
280/DIG. 5, DIG. 6, 62, 47.19, 47.26, 47.17,
280/47.18, 47.24, 30, 40, 41, 646, 652, 47.22,
280/79.11; 180/19.3, 19.1, 65.6
See application file for complete search history.

(56) **References Cited**

U.S. PATENT DOCUMENTS

D391,730 S *	3/1998	Wang	D34/15
D446,620 S *	8/2001	Liao	D34/15
D448,906 S *	10/2001	Wu	D34/15
D450,167 S *	11/2001	Liao	D34/15
D450,415 S *	11/2001	Liao	D34/15
D468,510 S *	1/2003	Jacobs	D34/15
6,698,789 B2 *	3/2004	Reimers et al.	280/651
D488,279 S *	4/2004	Wu	D34/15
D502,303 S *	2/2005	Wu	D34/15
6,969,078 B2 *	11/2005	Liao	280/38
7,000,928 B2 *	2/2006	Liao	280/38
D520,706 S *	5/2006	Brekke	D34/15

D531,374 S *	10/2006	Liao	D34/15
7,128,333 B2 *	10/2006	Reimers et al.	280/651
D531,778 S *	11/2006	Liao	D34/15
D548,420 S *	8/2007	Liao	D34/15
D549,421 S *	8/2007	Liao	D34/15
D556,414 S *	11/2007	Gong et al.	D34/15
D556,415 S *	11/2007	Gong et al.	D34/15
D558,423 S *	12/2007	Roiser	D34/15
2004/0135331 A1 *	7/2004	Liao	280/47.2
2006/0071434 A1 *	4/2006	Cheng	280/47.26
2008/0174090 A1 *	7/2008	Gross	280/646

* cited by examiner

Primary Examiner—Cynthia E Ramirez

(74) *Attorney, Agent, or Firm*—Alan Kamrath; Kamrath & Associates PA

(57) **CLAIM**

The ornamental design for a golf cart, as shown and described.

DESCRIPTION

FIG. 1 is a perspective view of a golf cart showing my new design;

FIG. 2 is a front elevational view thereof;

FIG. 3 is a rear elevational view thereof;

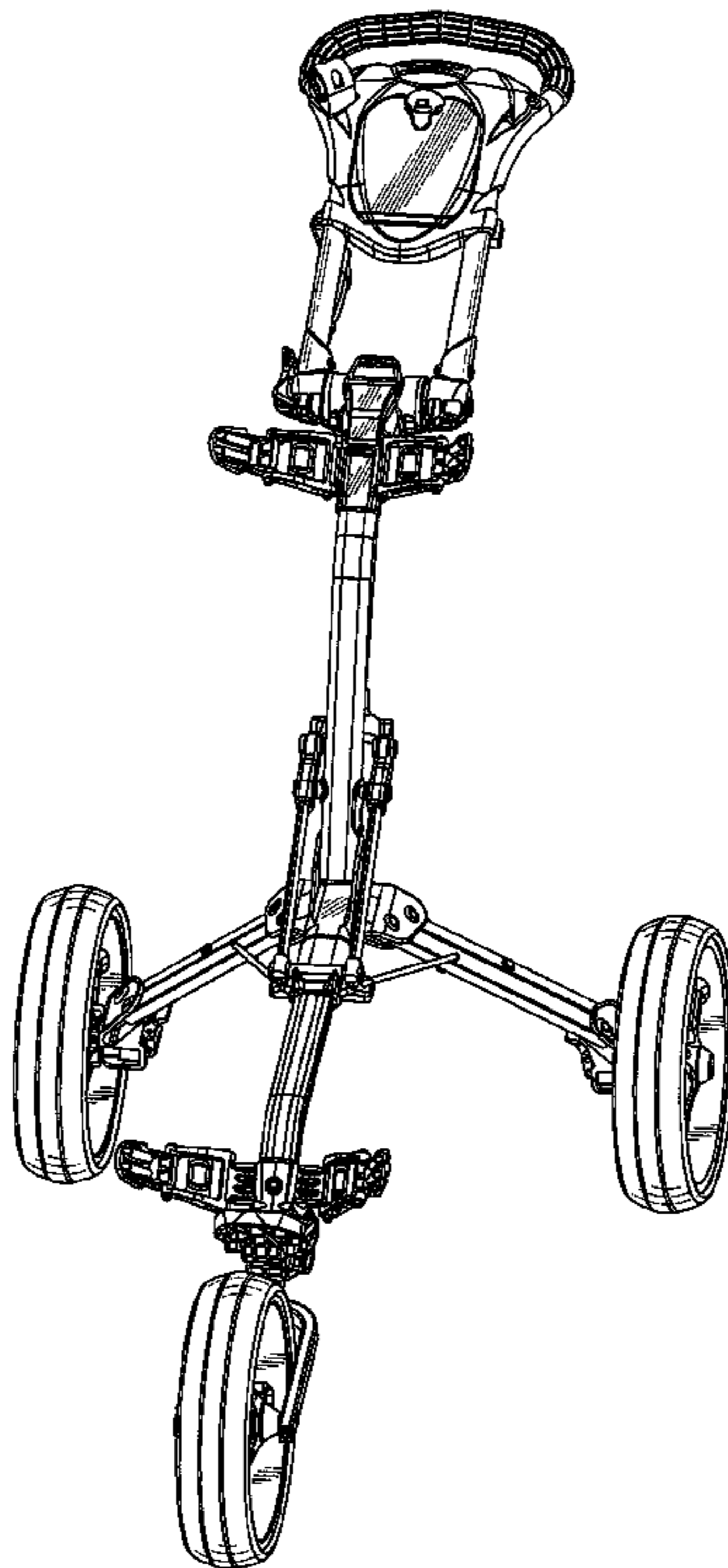
FIG. 4 is a left side elevational view thereof;

FIG. 5 is a right side elevational view thereof;

FIG. 6 is a top plan view thereof; and,

FIG. 7 is a bottom plan view thereof.

1 Claim, 7 Drawing Sheets



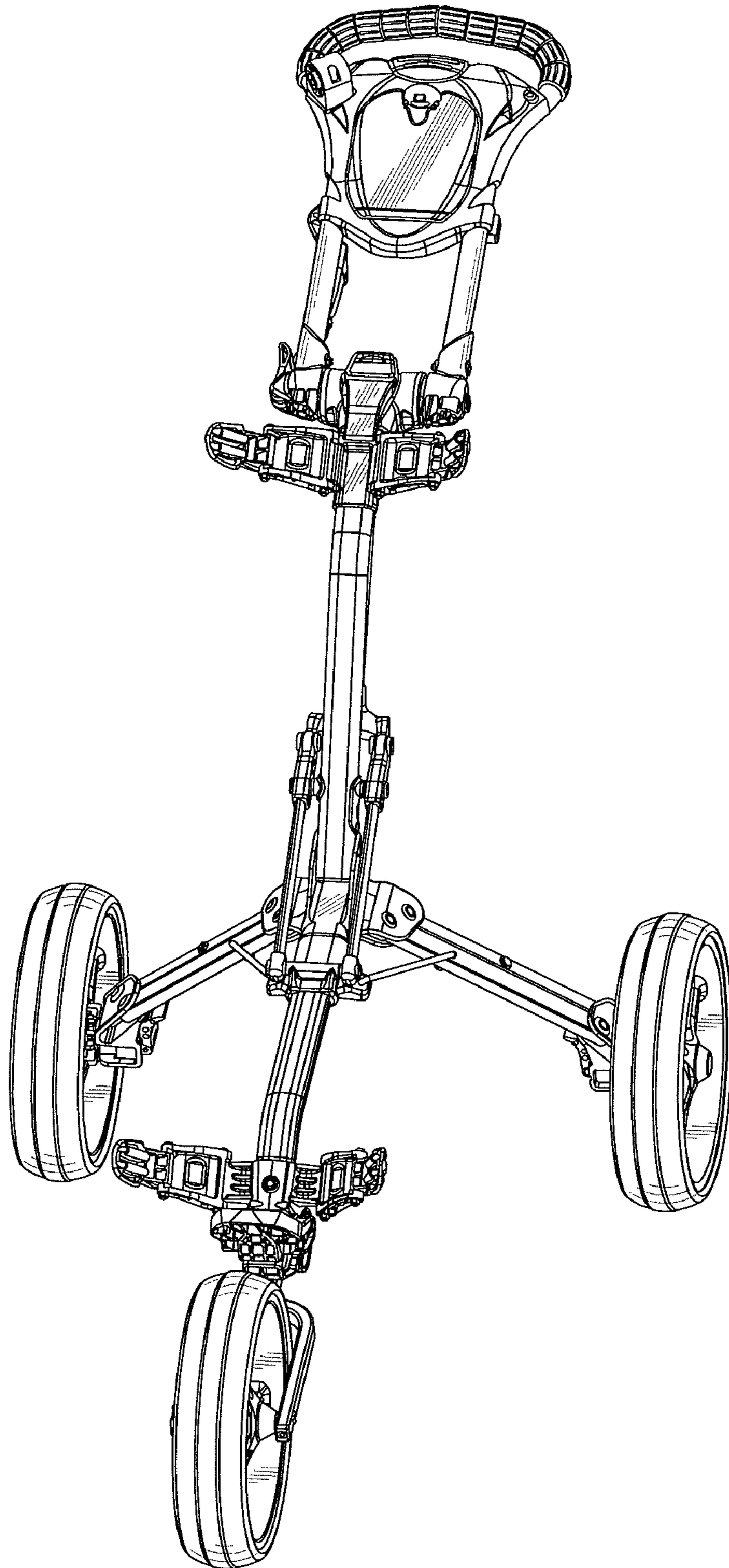


FIG. 1

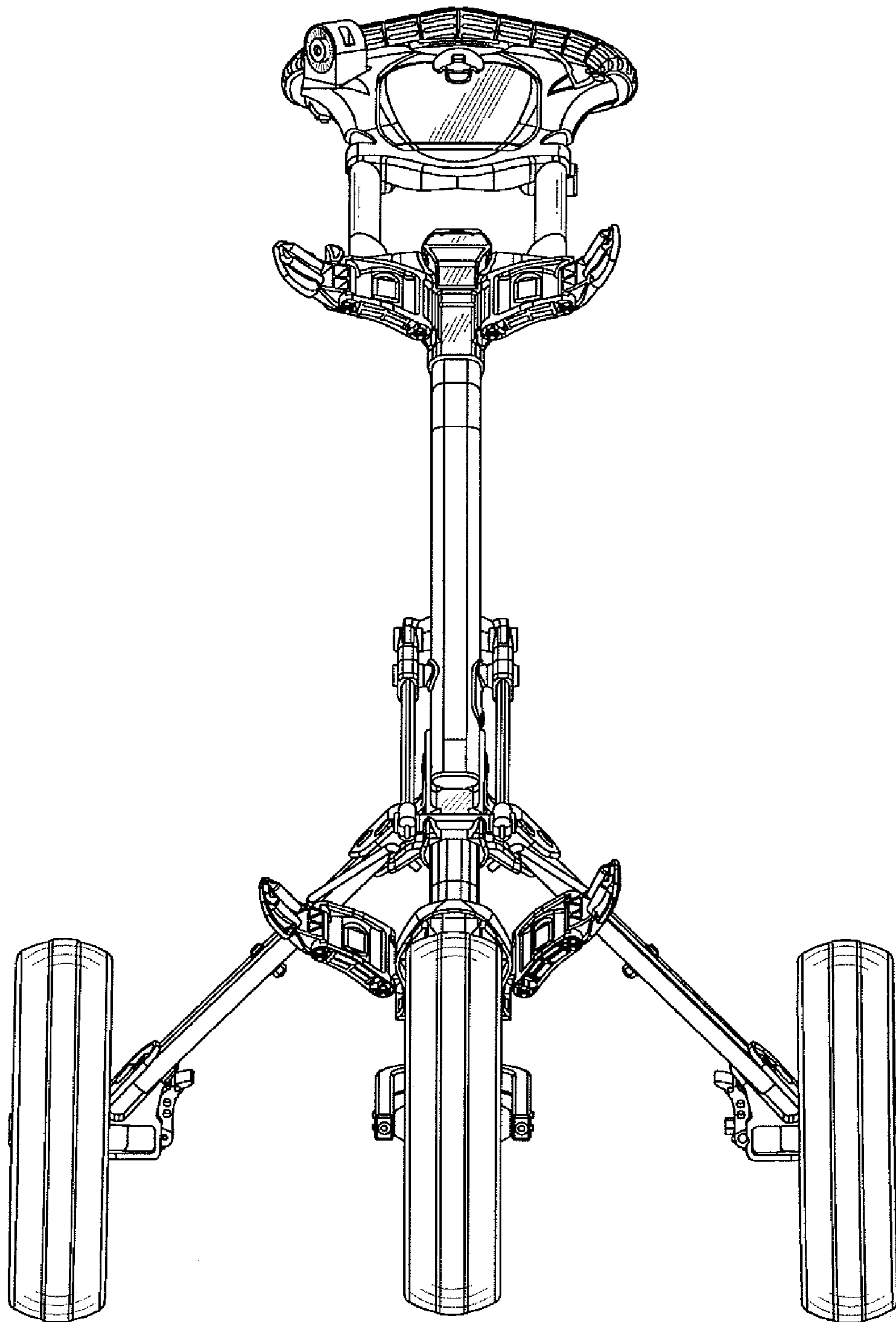


FIG. 2

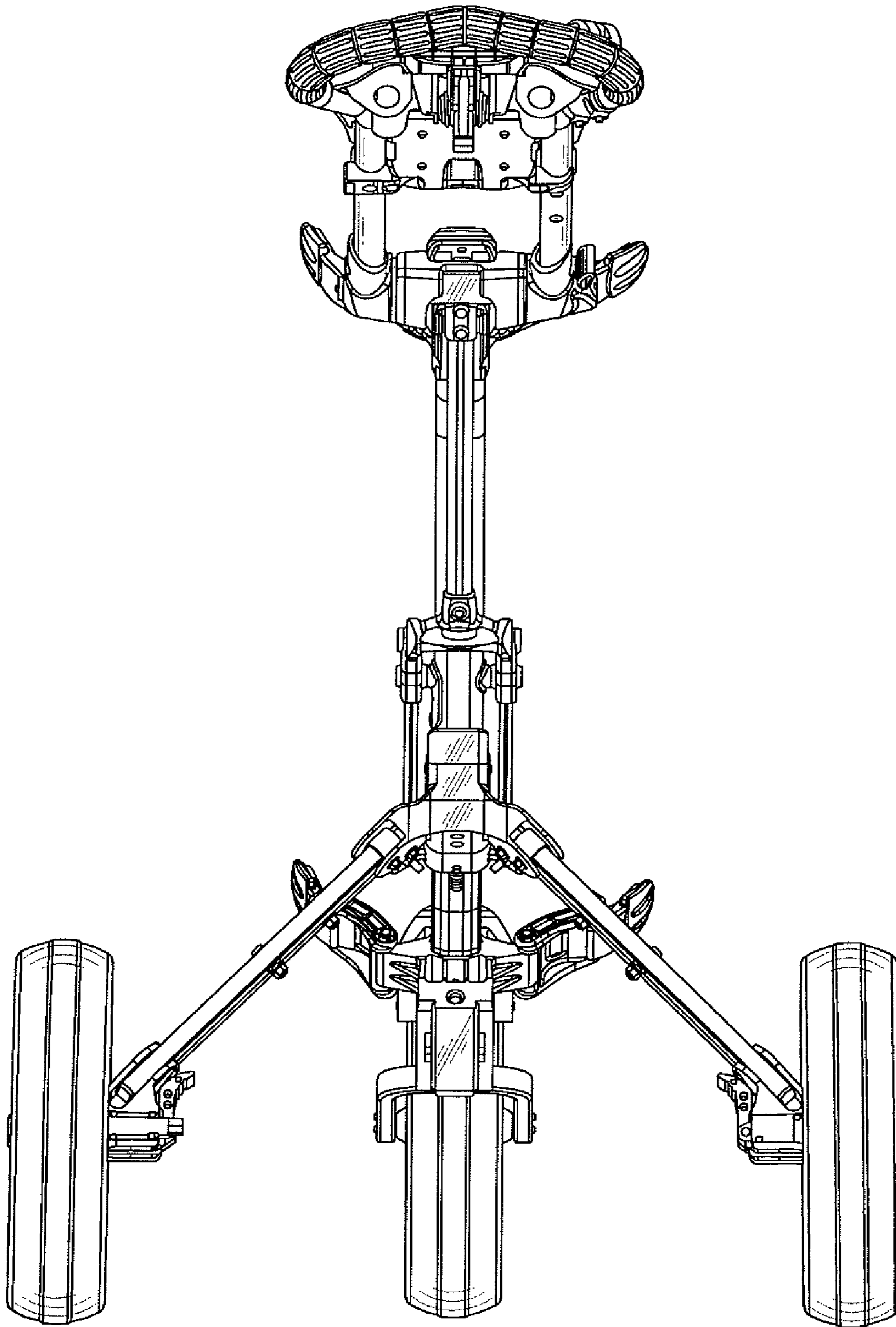


FIG. 3

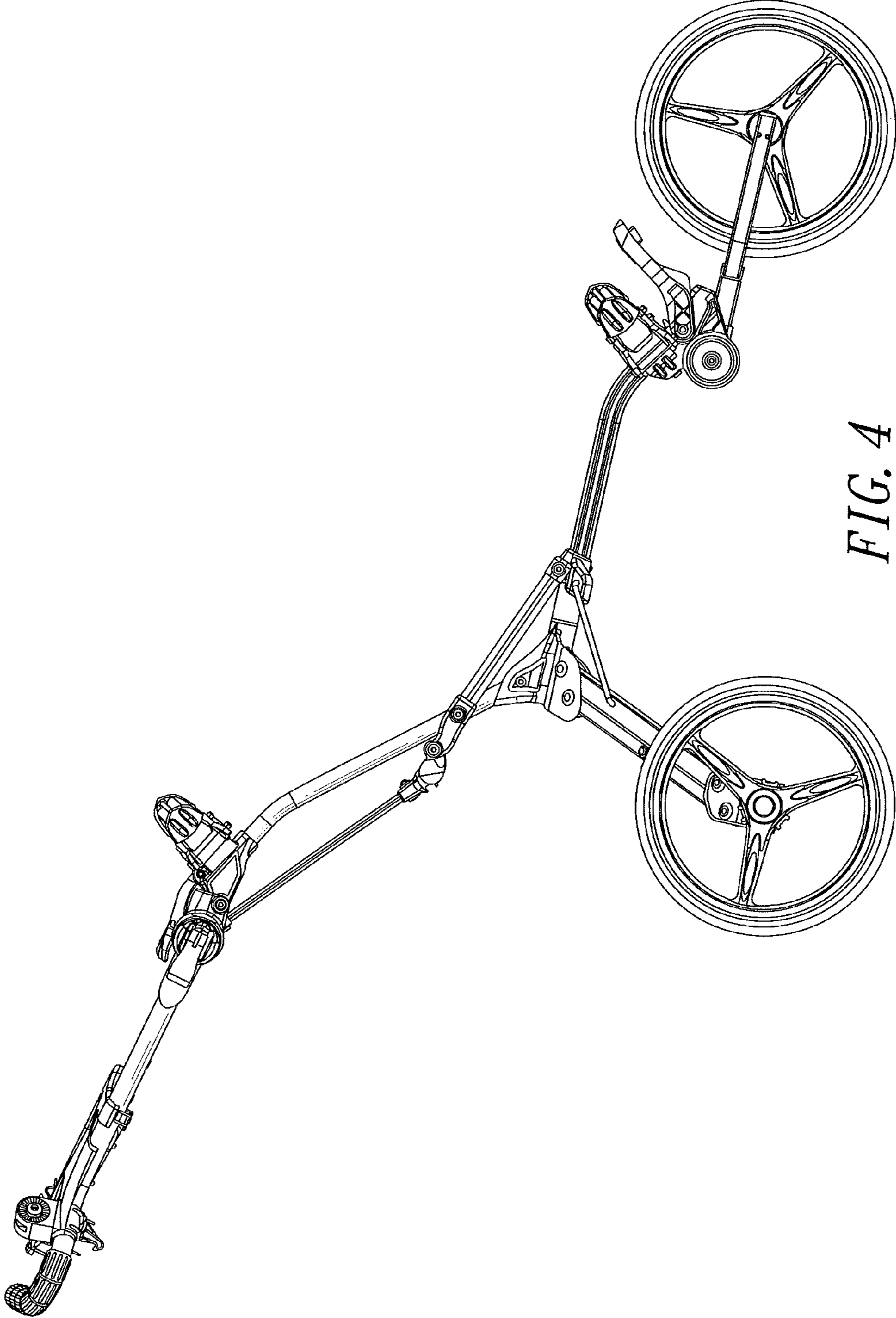


FIG. 4

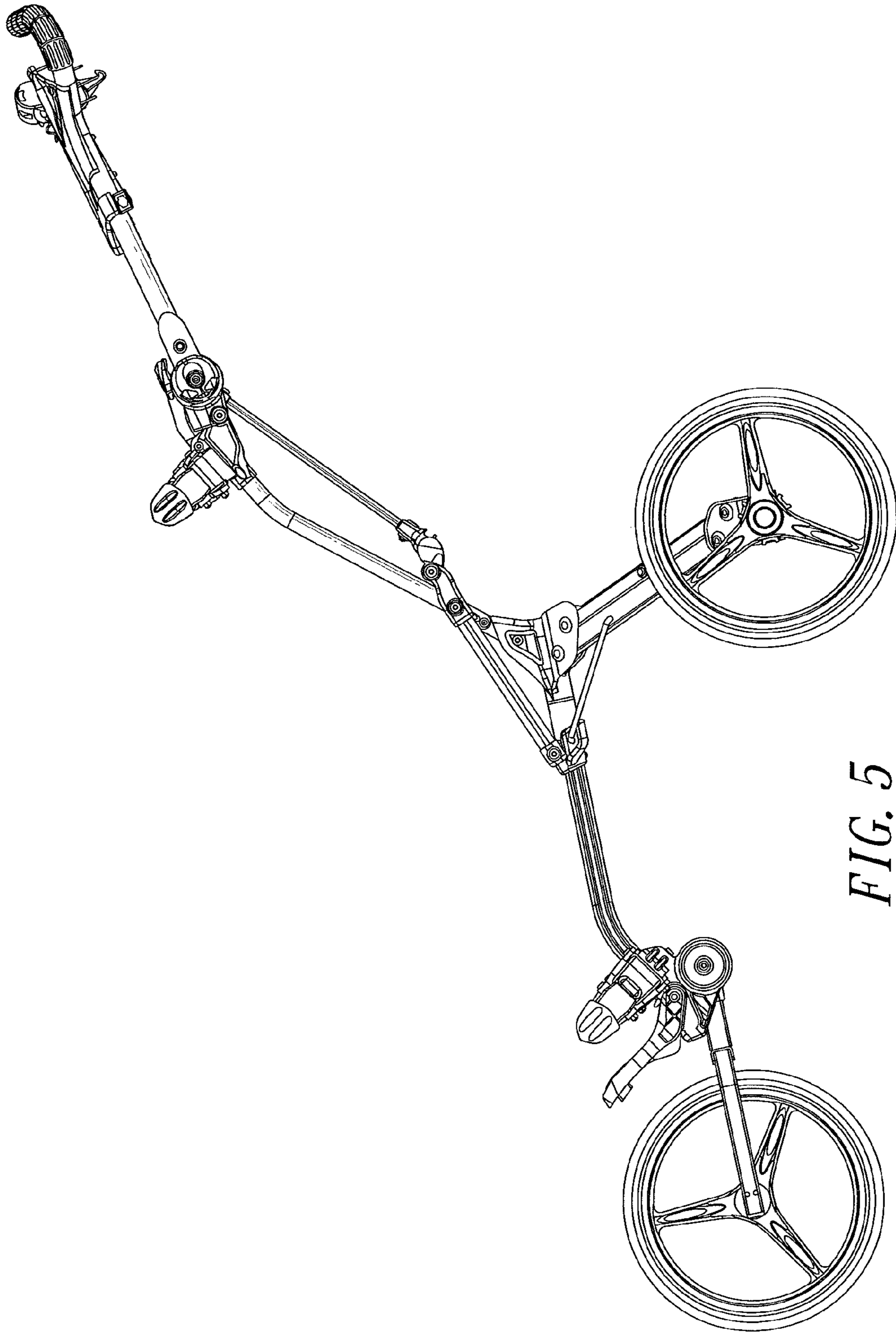


FIG. 5

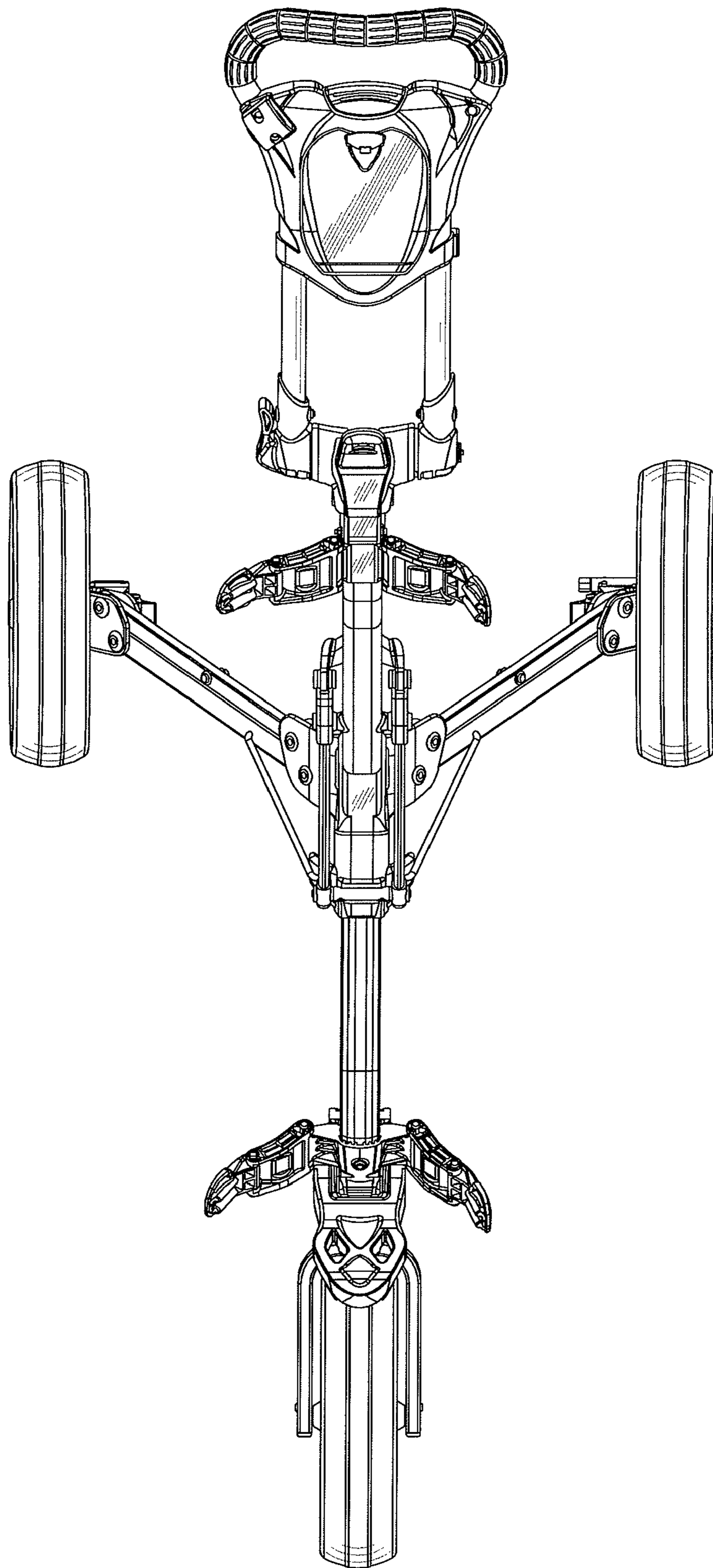


FIG. 6

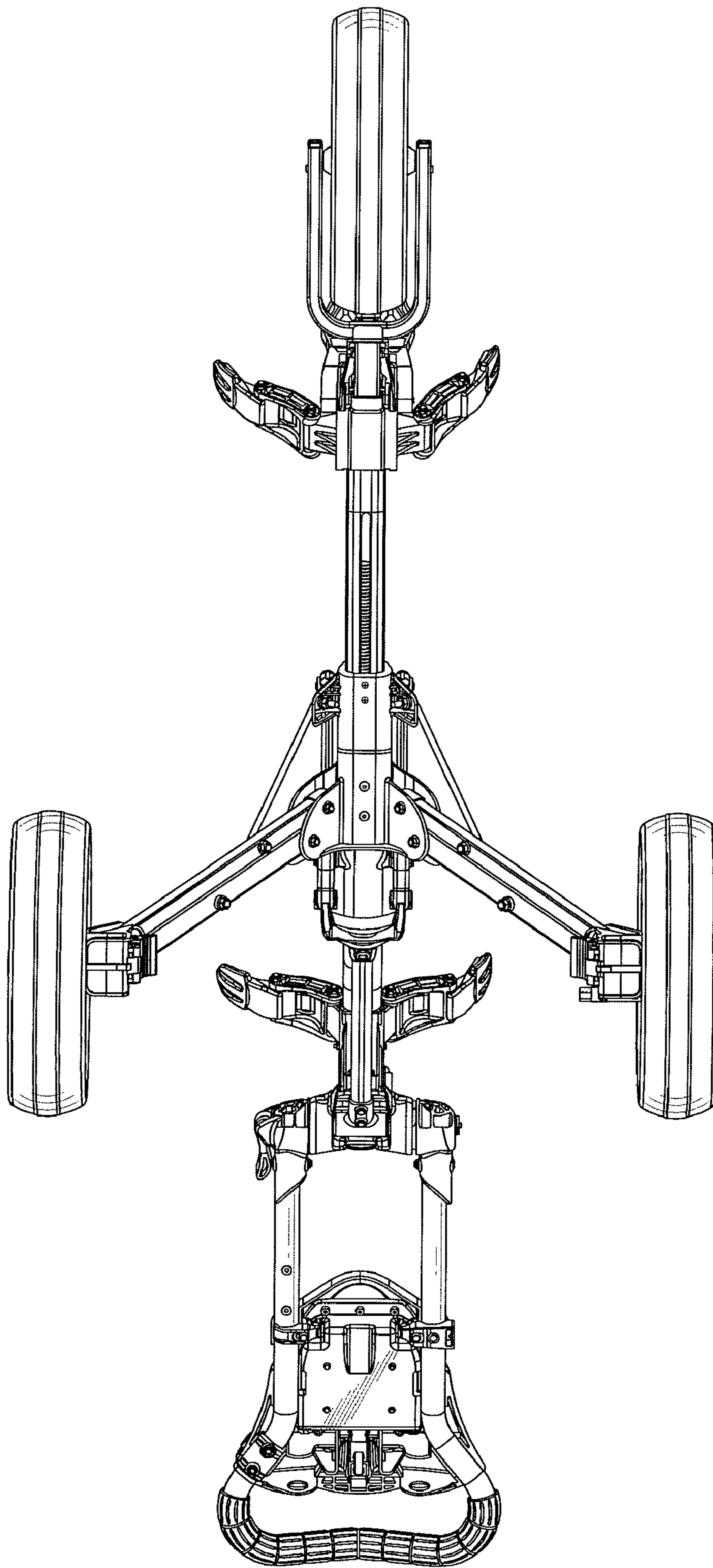


FIG. 7