



US00D599972S

(12) **United States Design Patent**
Goldszer

(10) **Patent No.:** **US D599,972 S**
(45) **Date of Patent:** **** Sep. 8, 2009**

(54) **CONVERTIBLE TABLE AND CARGO CART**

(75) Inventor: **Jacob Goldszer**, Weston, FL (US)

(73) Assignee: **JGR Copa, LLC**, Hollywood, FL (US)

(**) Term: **14 Years**

(21) Appl. No.: **29/331,317**

(22) Filed: **Jan. 23, 2009**

Related U.S. Application Data

(62) Division of application No. 29/317,863, filed on May 8, 2008, now abandoned.

(51) **LOC (9) Cl.** **12-02**

(52) **U.S. Cl.** **D34/14; D34/23**

(58) **Field of Classification Search** D34/12-27;
280/47.31, 47.19, 47.34, 47.35, 47.24, 47.26,
280/79.3, 47.33

See application file for complete search history.

(56) **References Cited**

U.S. PATENT DOCUMENTS

D146,784 S *	5/1947	Best	D34/17
D191,504 S *	10/1961	Zupancic	D34/17
3,104,890 A *	9/1963	Hill	280/659
D198,676 S *	7/1964	Tarran	D34/14
D198,920 S *	8/1964	Corbett	D34/13
D209,819 S *	1/1968	Langan	D34/17

D284,130 S *	6/1986	Peruski et al.	D34/24
D295,732 S *	5/1988	Nilsson	D12/19
4,802,681 A	2/1989	Hung	280/47.18
D311,082 S *	10/1990	Nordstrom et al.	D34/24
4,989,889 A	2/1991	Server Perez	280/40
D325,364 S *	4/1992	Stilley	D12/129
D326,174 S *	5/1992	McDonald	D34/17
D343,039 S *	1/1994	Knox	D34/18
2004/0084864 A1	5/2004	Casey et al.	280/47.31
2005/0051999 A1	3/2005	Bunce et al.	280/652

* cited by examiner

Primary Examiner—Cynthia E Ramirez

(74) *Attorney, Agent, or Firm*—Robert C. Kain, Jr.

(57) **CLAIM**

The ornamental design for a convertible table and cargo cart, as shown and described.

DESCRIPTION

FIG. 1 is a perspective left side view of the convertible table and cargo cart showing my new design, with the perspective right side view being a mirror image thereof;

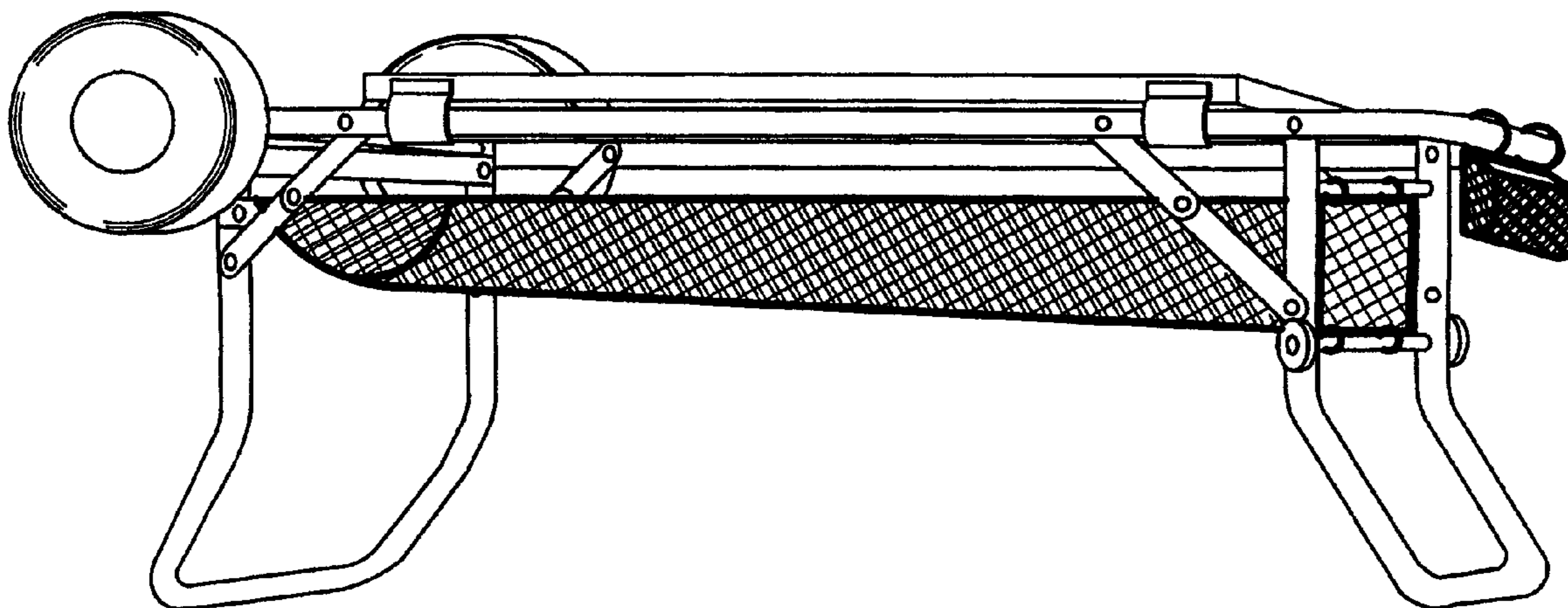
FIG. 2 is a bottom view thereof;

FIG. 3 is a top view thereof;

FIG. 4 is a front view thereof; and,

FIG. 5 is a rear view thereof.

1 Claim, 4 Drawing Sheets



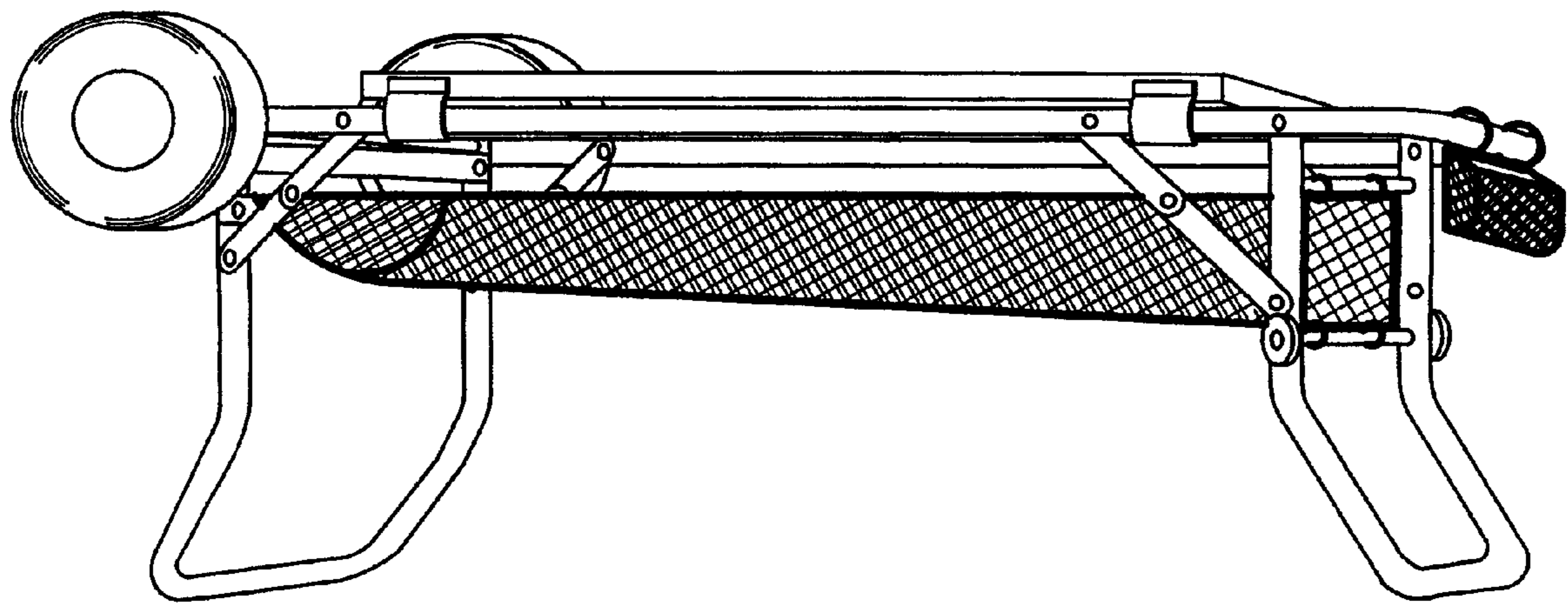


FIG.1

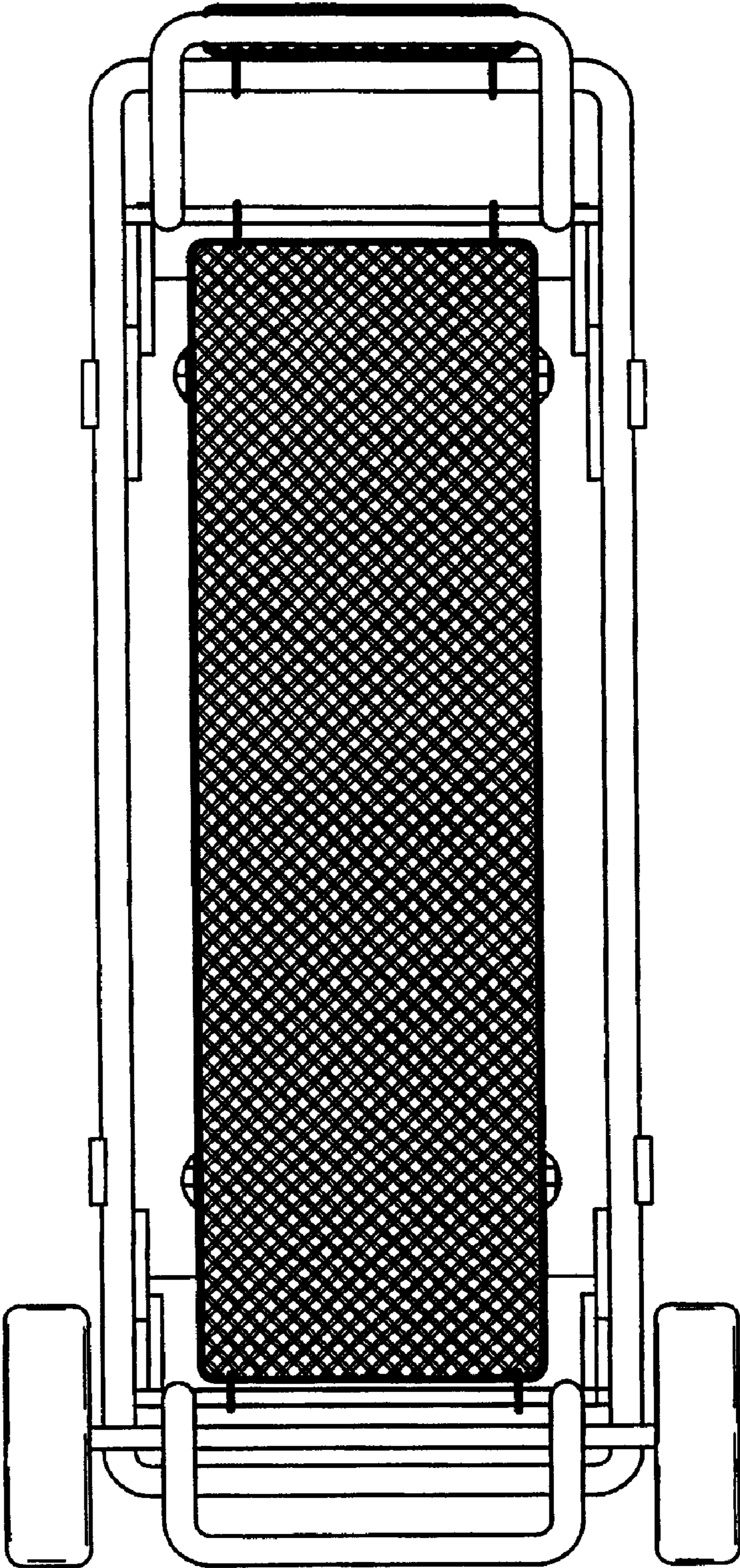


FIG. 2

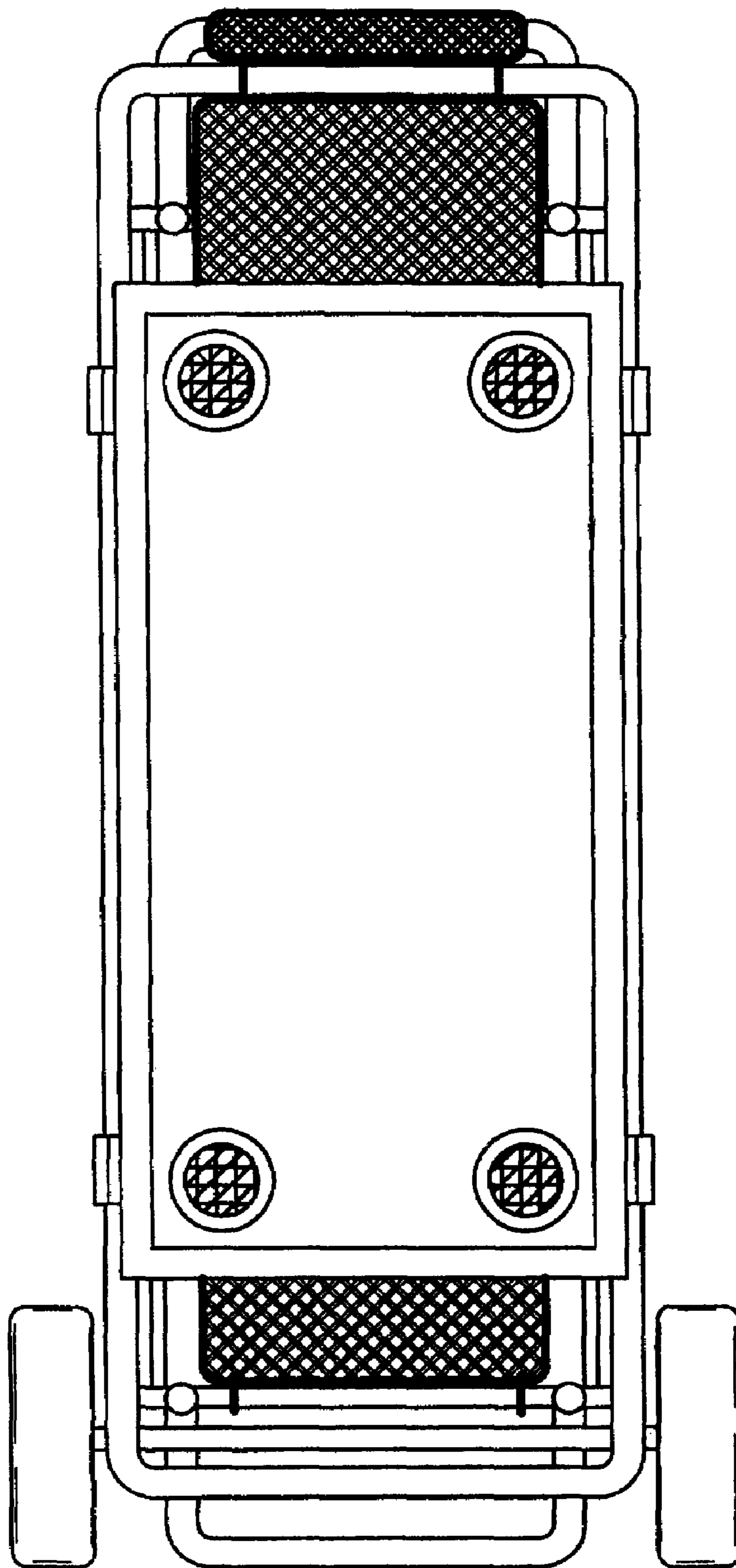


FIG. 3

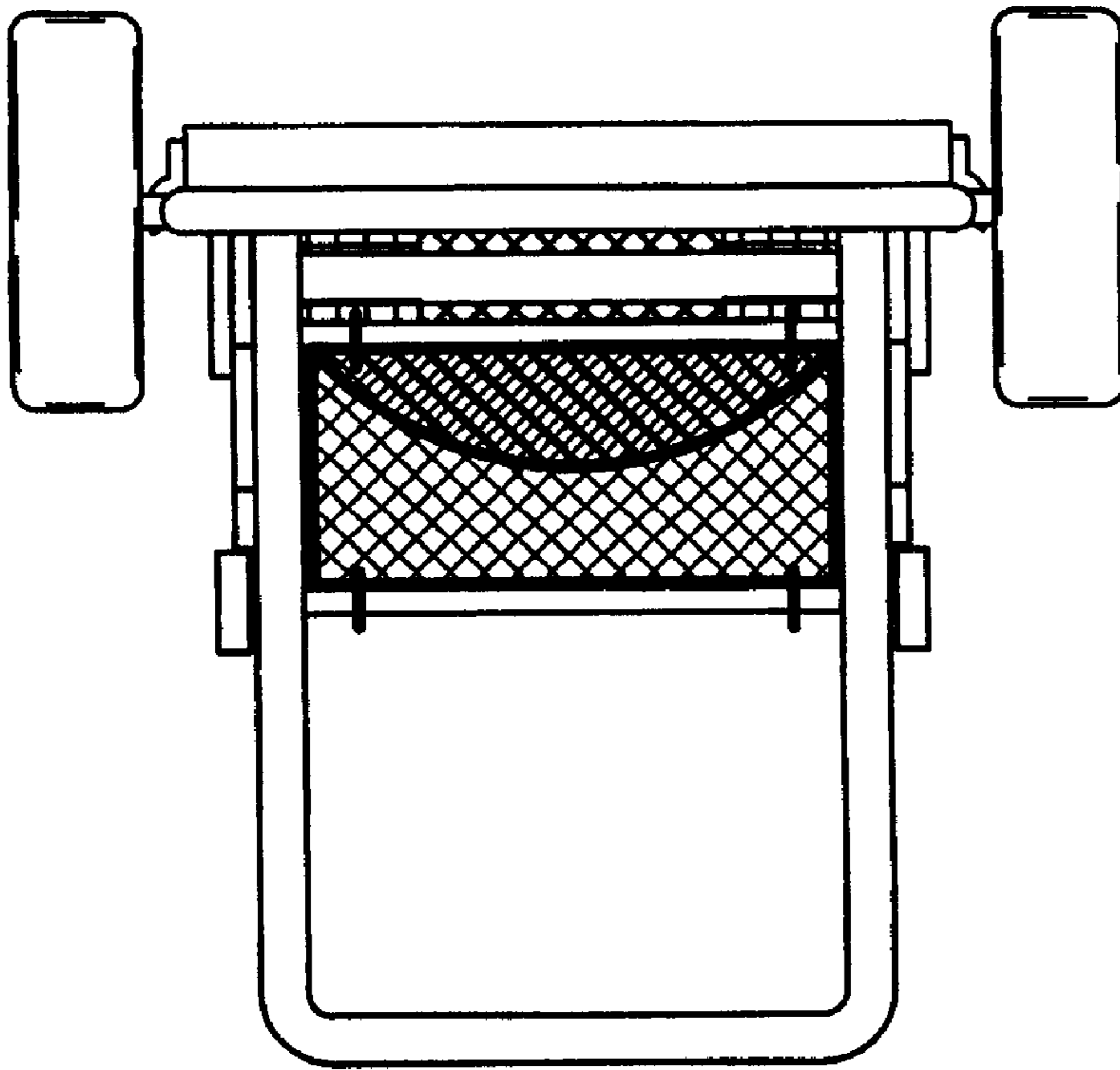


FIG. 5

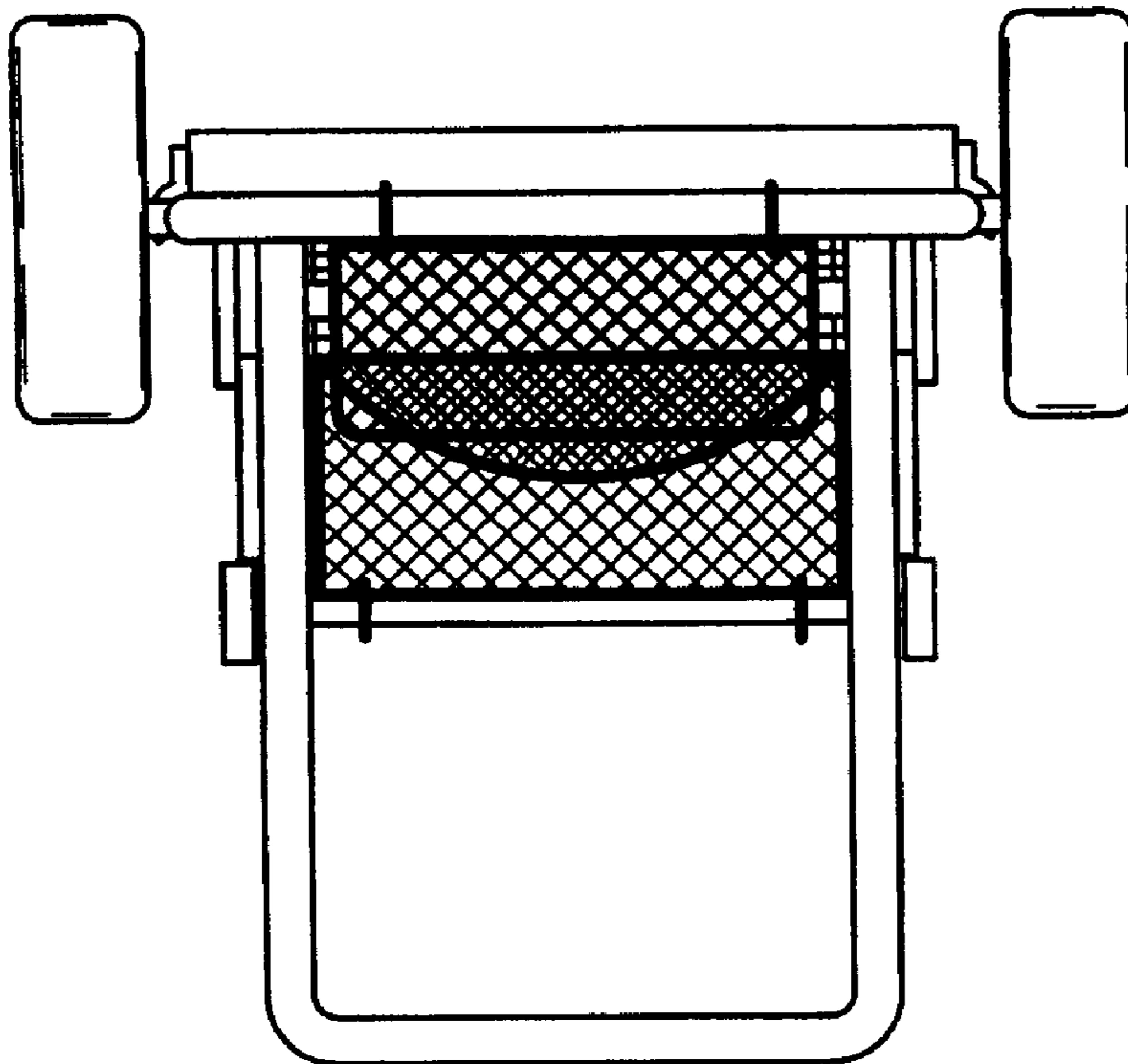


FIG. 4