

US00D599970S

(12) **United States Design Patent**
Tench

(10) **Patent No.:** **US D599,970 S**

(45) **Date of Patent:** **** Sep. 8, 2009**

(54) **WASTE RECEPTACLE**

D466,665 S * 12/2002 Hsu D34/1
D537,596 S 2/2007 Marshall

(75) Inventor: **Wallace Roy Tench**, Melbourne (AU)

(73) Assignee: **Enviro Design Australia Pty Ltd.**,
Melbourne (AU)

* cited by examiner

Primary Examiner—Cynthia E Ramirez

(74) *Attorney, Agent, or Firm*—Richard W. James

(**) Term: **14 Years**

(21) Appl. No.: **29/320,033**

(57) **CLAIM**

(22) Filed: **Jun. 19, 2008**

The ornamental design for the waste receptacle, as herein shown and described.

(30) **Foreign Application Priority Data**

Dec. 21, 2007 (AU) 21537/2007

DESCRIPTION

(51) **LOC (9) Cl.** **09-09**

FIG. 1 is a top, front perspective view of a waste receptacle according to the present invention;

(52) **U.S. Cl.** **D34/7**

FIG. 2 is a bottom, rear perspective view thereof;

(58) **Field of Classification Search** D34/1,
D34/4, 5, 6, 7, 8, 9, 10, 11; 220/908–911
See application file for complete search history.

FIG. 3 is a front view thereof, the rear being the same;

FIG. 4 is a left side view thereof, the right side being the same;

FIG. 5 is a top plan view thereof; and,

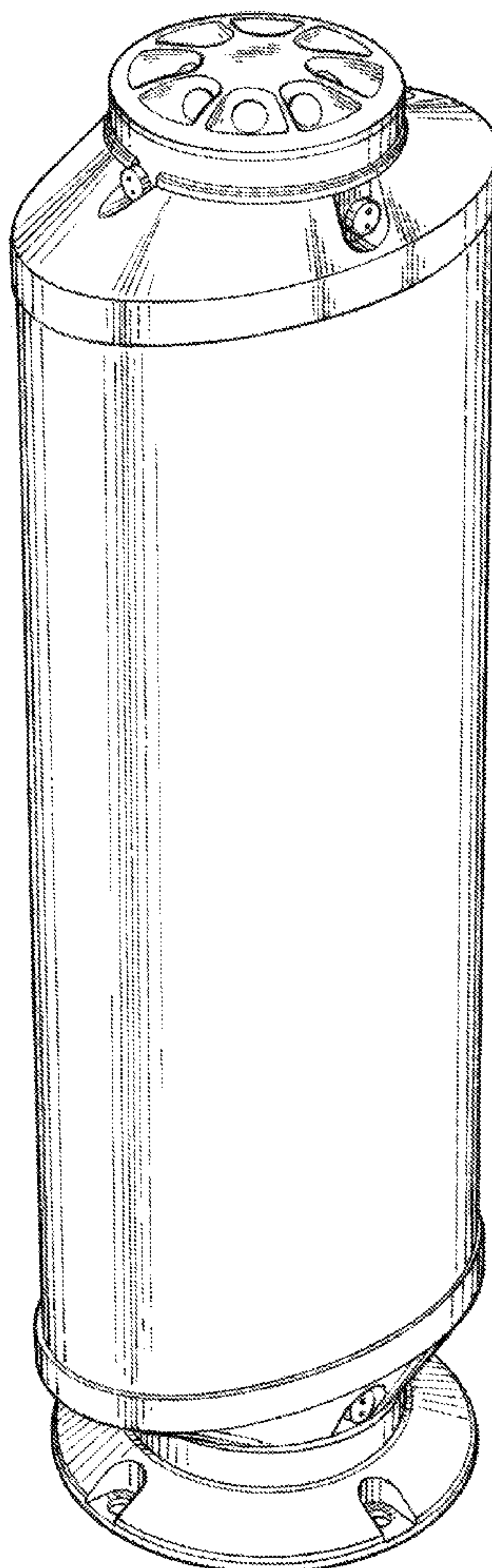
FIG. 6 is a bottom plan view thereof.

(56) **References Cited**

U.S. PATENT DOCUMENTS

4,377,231 A * 3/1983 Murphy 220/4.26

1 Claim, 3 Drawing Sheets



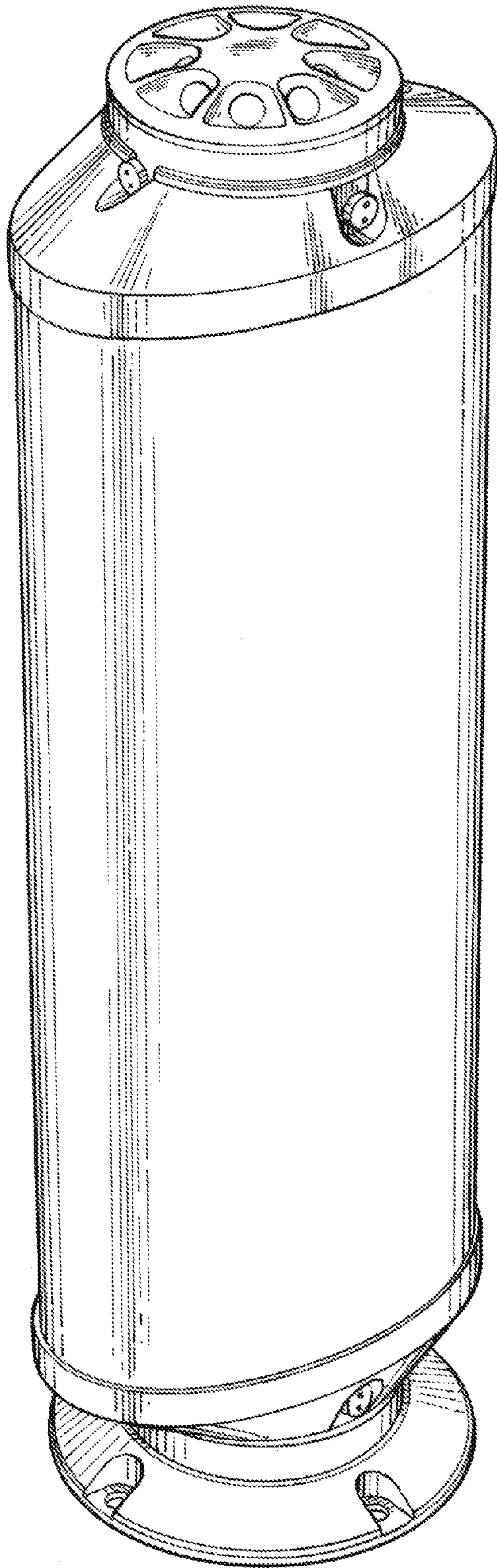


FIG. 1

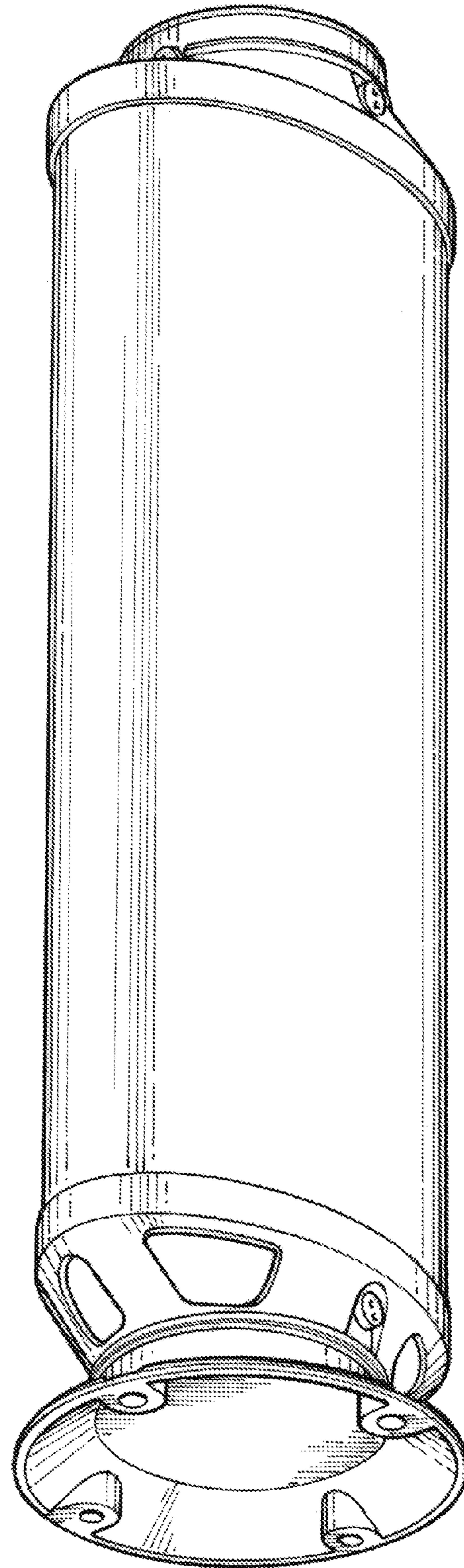


FIG. 2

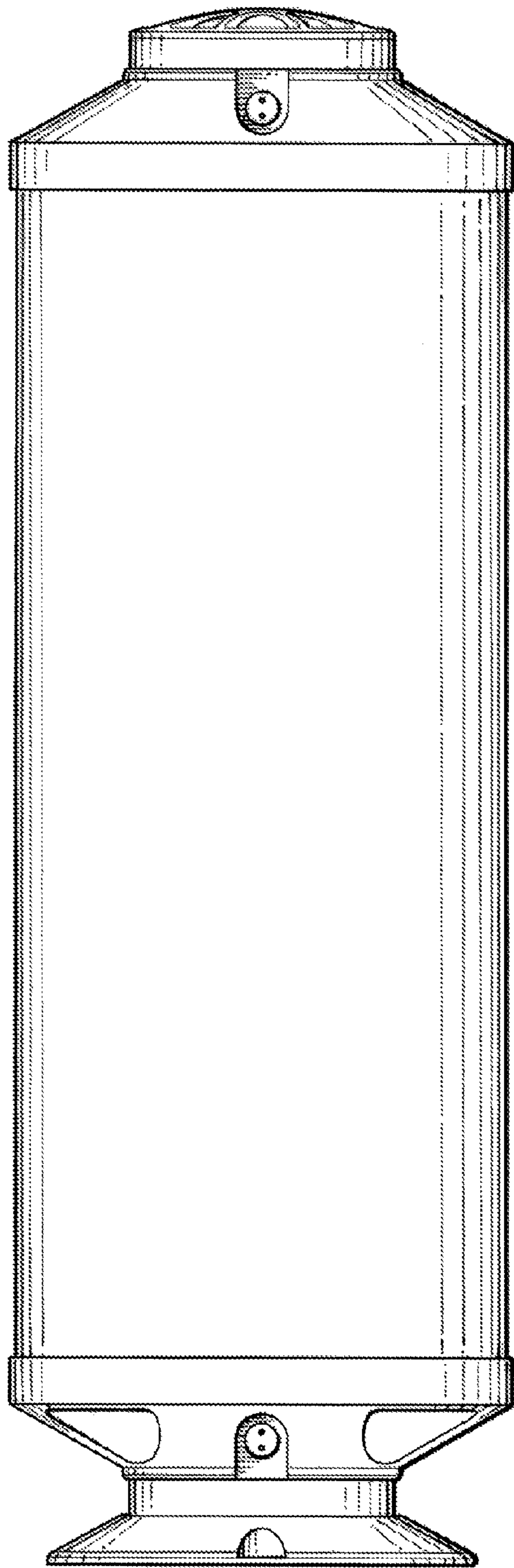


FIG. 3

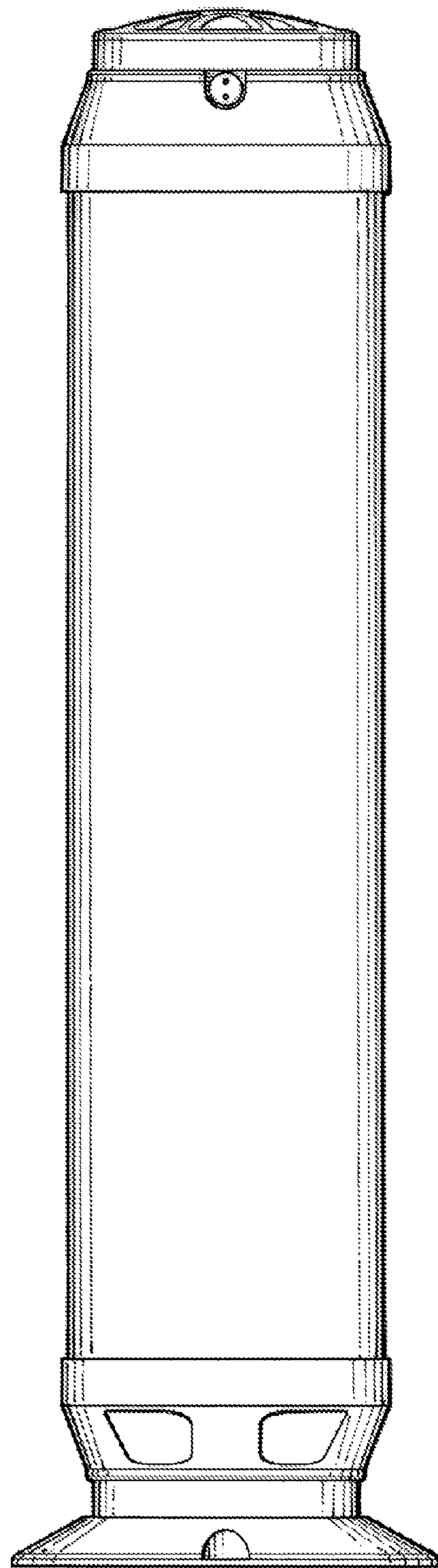


FIG. 4

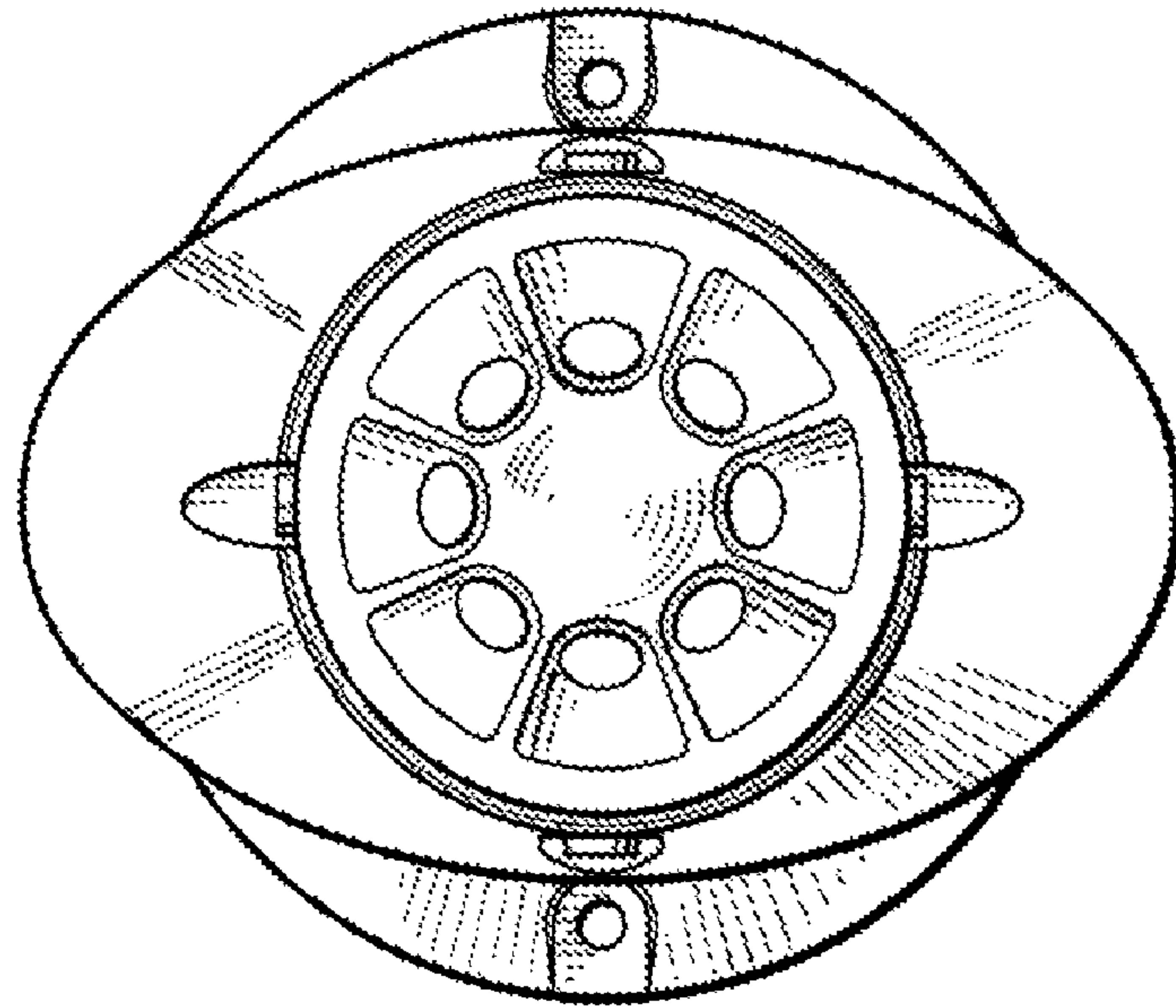


FIG. 5

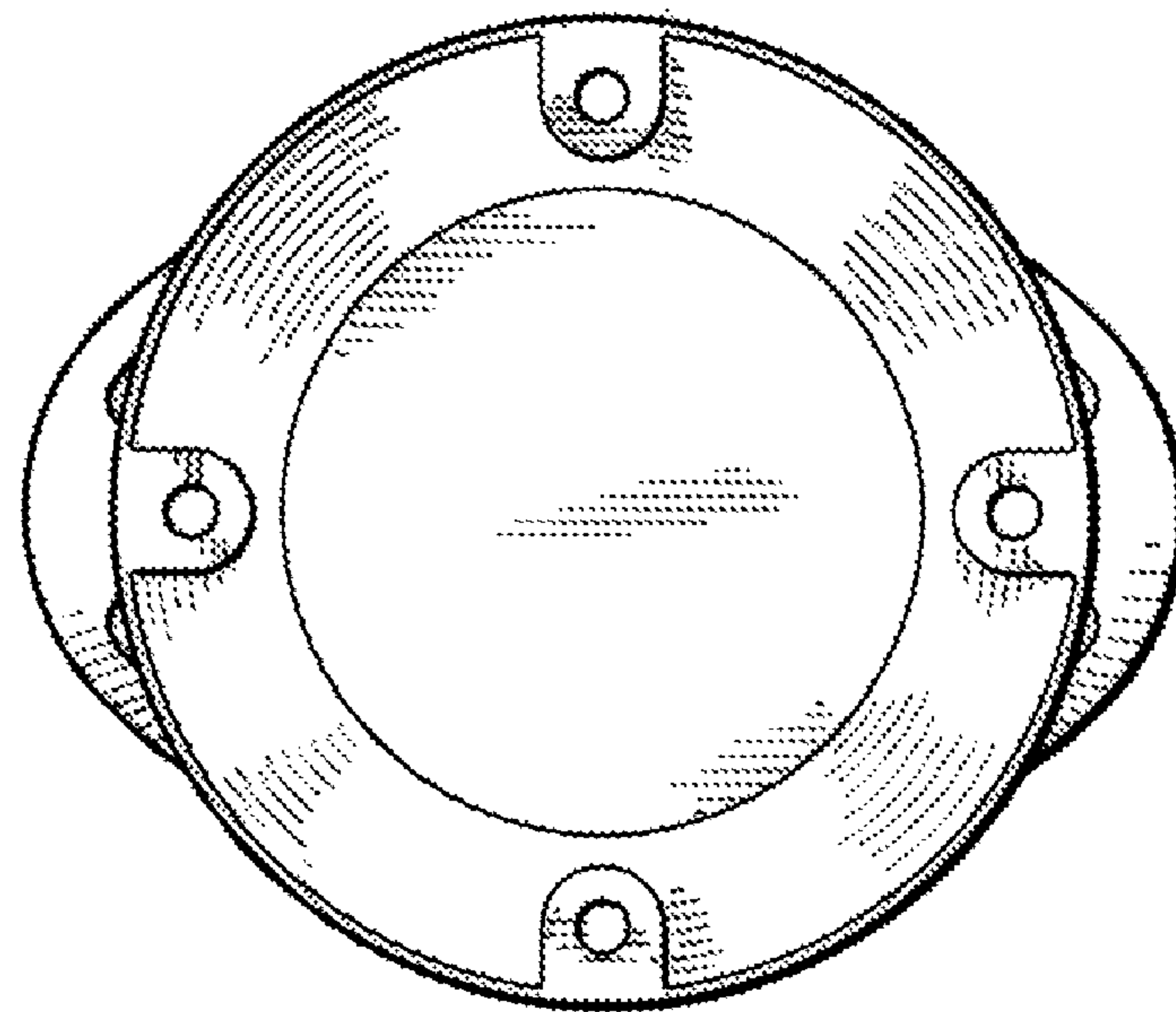


FIG. 6