



US00D599969S

(12) **United States Design Patent**
Weis

(10) **Patent No.:** **US D599,969 S**
(45) **Date of Patent:** **** Sep. 8, 2009**

(54) **MOP HEAD**

(75) Inventor: **Norbert Weis**, Weinheim (DE)

(73) Assignee: **Carl Freudenberg KG**, Weinheim (DE)

(**) Term: **14 Years**

(21) Appl. No.: **29/328,748**

(22) Filed: **Dec. 1, 2008**

Related U.S. Application Data

(63) Continuation-in-part of application No. 29/305,157, filed on Mar. 14, 2008, now Pat. No. Des. 593,268.

(30) **Foreign Application Priority Data**

Nov. 28, 2007 (DE) 10 2007 057 602

(51) **LOC (9) Cl.** **04-01**

(52) **U.S. Cl.** **D32/50**

(58) **Field of Classification Search** D32/40-45,
D32/49-52, 35; 401/15, 291, 278-279, 270-277,
401/137-140, 34; 40/138-140; 15/119.1,
15/244.1-244.2, 121, 245, 143.1
See application file for complete search history.

(56) **References Cited**

U.S. PATENT DOCUMENTS

1,655,585	A	1/1928	Wagner	
2,442,467	A *	6/1948	Lux	15/119.2
2,730,738	A	1/1956	Humes	
2,774,091	A *	12/1956	Greenleaf	15/119.2
D294,415	S *	2/1988	Jones	D32/44
D323,727	S	2/1992	Re	
D328,807	S	8/1992	Millar	
5,271,682	A *	12/1993	Realdon	401/37
D358,244	S *	5/1995	Teufel et al.	D32/44
D386,851	S	11/1997	Levine	
D389,625	S *	1/1998	Feldman et al.	D32/49
D446,896	S *	8/2001	Cann	D32/40
D477,301	S	7/2003	Hollinger	
6,612,768	B2	9/2003	Zorzo	
6,644,877	B1	11/2003	Chen	
6,647,983	B2	11/2003	Smith et al.	
D496,766	S *	9/2004	Colburn et al.	D32/45

6,785,928	B2	9/2004	Specht et al.	
6,854,149	B1	2/2005	Specht et al.	
6,953,299	B2	10/2005	Wang et al.	
6,976,282	B2	12/2005	Sie	
D531,367	S *	10/2006	Hay	D32/44
7,257,853	B2	8/2007	Boyer et al.	
D572,871	S *	7/2008	Erken	D32/50
D582,619	S *	12/2008	Kong	D32/50
2005/0028309	A1	2/2005	Boyer et al.	

FOREIGN PATENT DOCUMENTS

DE	1954499	U	2/1967
DE	29713657	U1	11/1997
DE	20310699	U1	10/2003
WO	WO 2004/054424	A1	7/2004

OTHER PUBLICATIONS

Freudenberg Household Products LP, image of Big Easy® mop, available before Mar. 14, 2008, 1 page.

* cited by examiner

Primary Examiner—Pamela J Burgess

(74) *Attorney, Agent, or Firm*—Leydig, Voit & Mayer, Ltd.

(57) **CLAIM**

The ornamental design for a mop head, as shown and described.

DESCRIPTION

FIG. 1 is a perspective view taken from the top, front, and left side of a mop head showing my new design;

FIG. 2 is a top plan view of the mop head shown in FIG. 1;

FIG. 3 is a front elevational view of the mop head shown in FIG. 1;

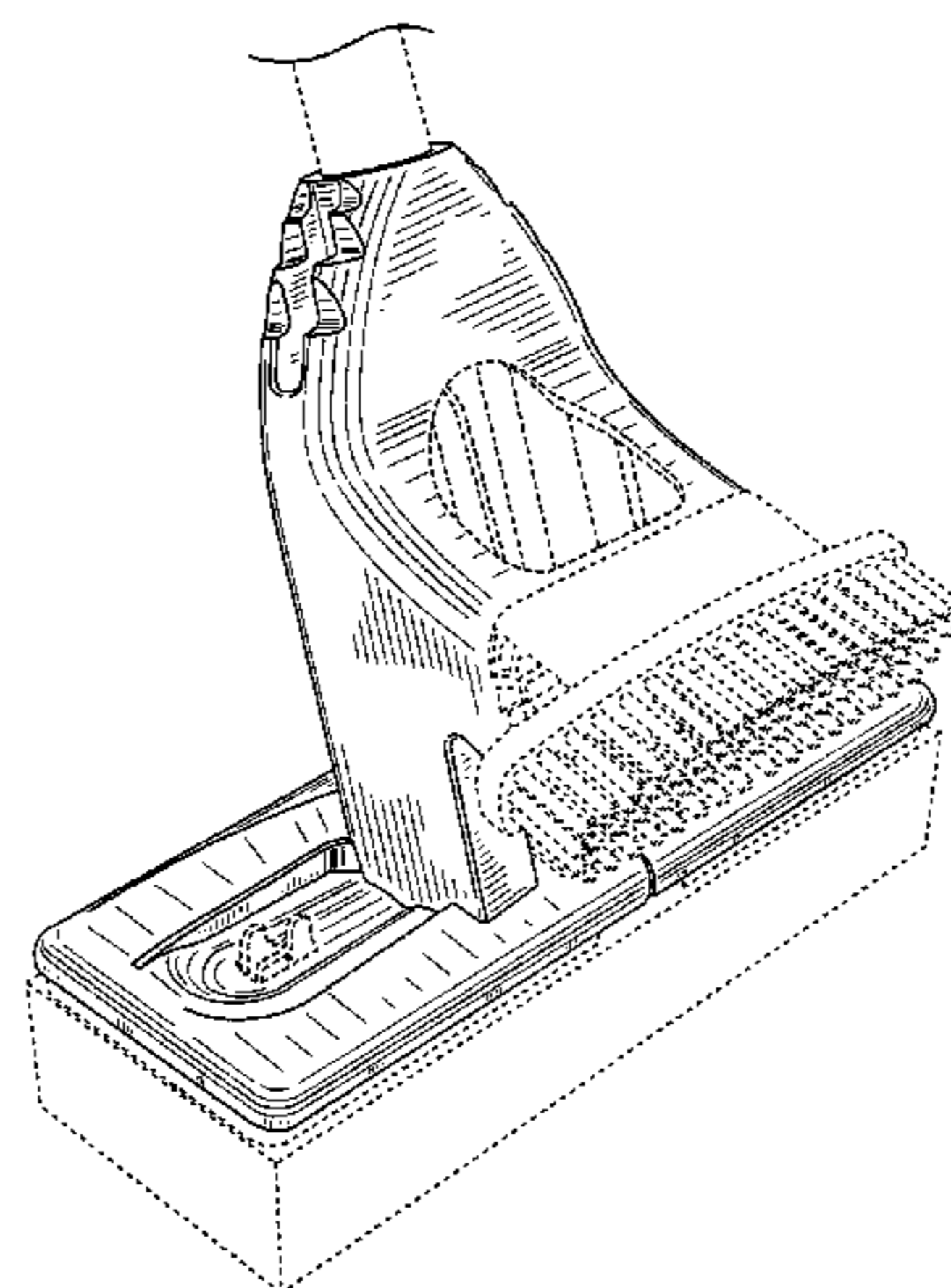
FIG. 4 is a rear elevational view of the mop head shown in FIG. 1;

FIG. 5 is a left elevational side view of the mop head shown in FIG. 1; and,

FIG. 6 is a right elevational side view of the mop head shown in FIG. 1.

The broken lines are for illustration purposes only and form no part of the claimed design.

1 Claim, 3 Drawing Sheets



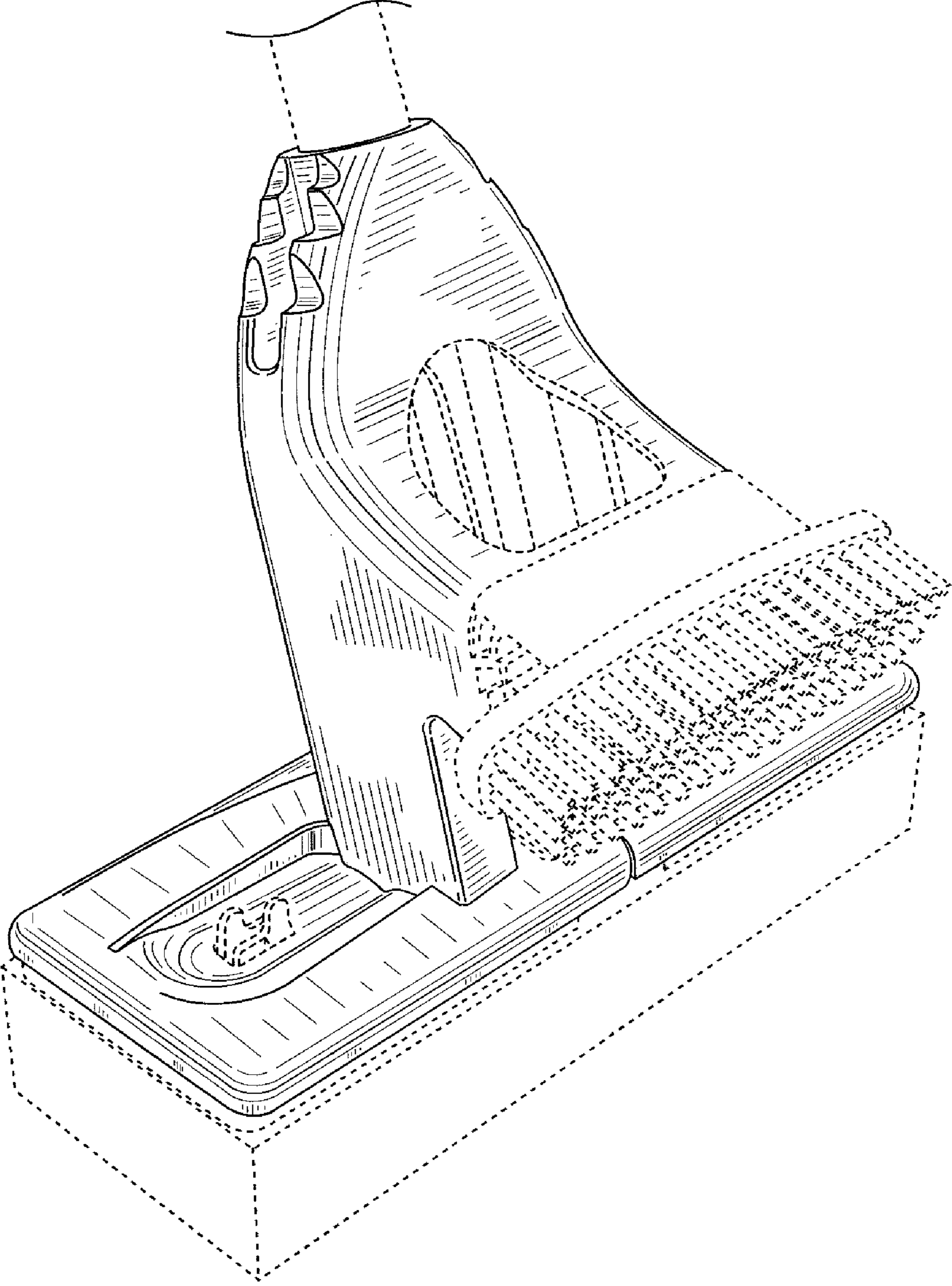


FIG. 1

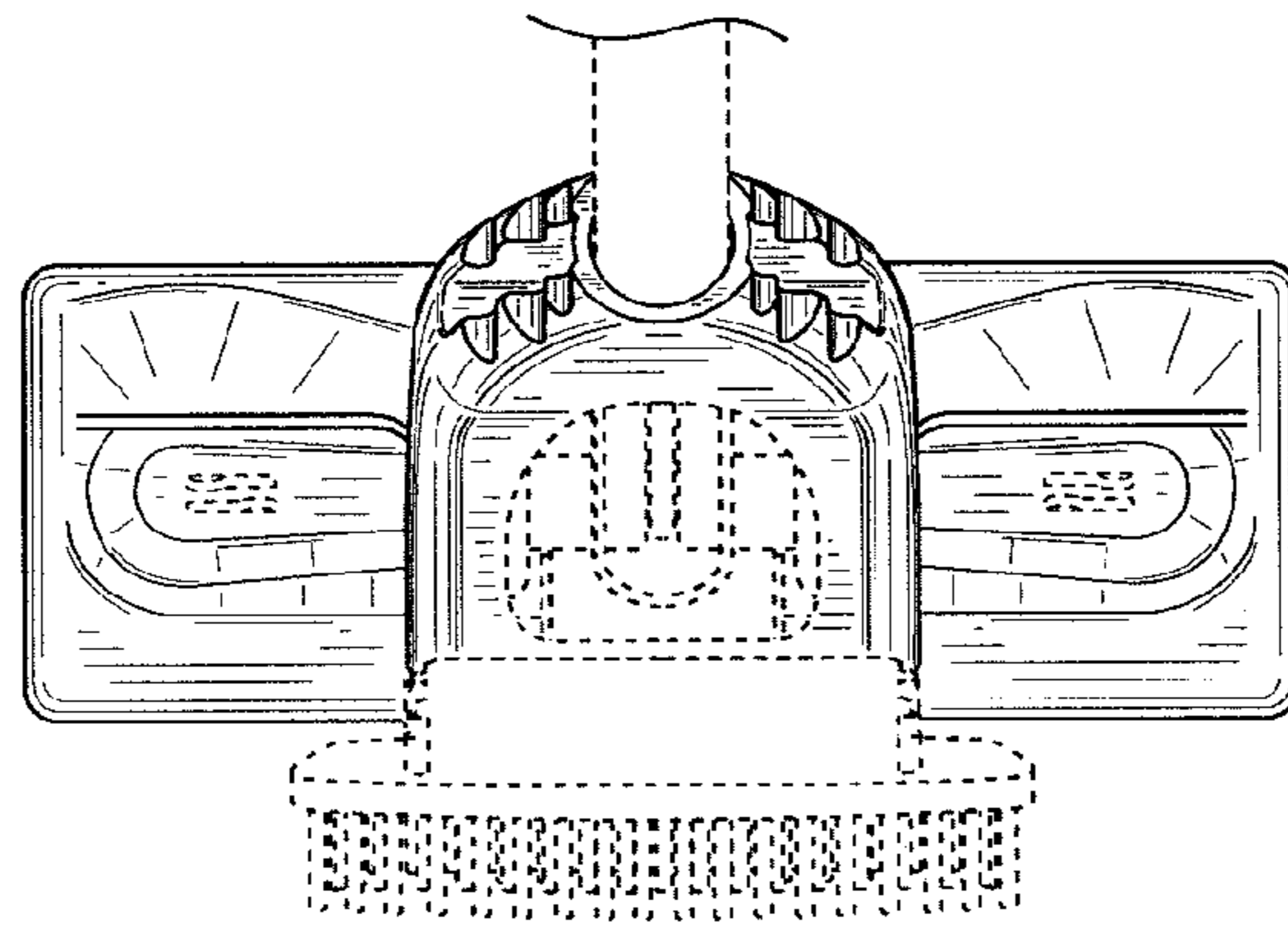


FIG. 2

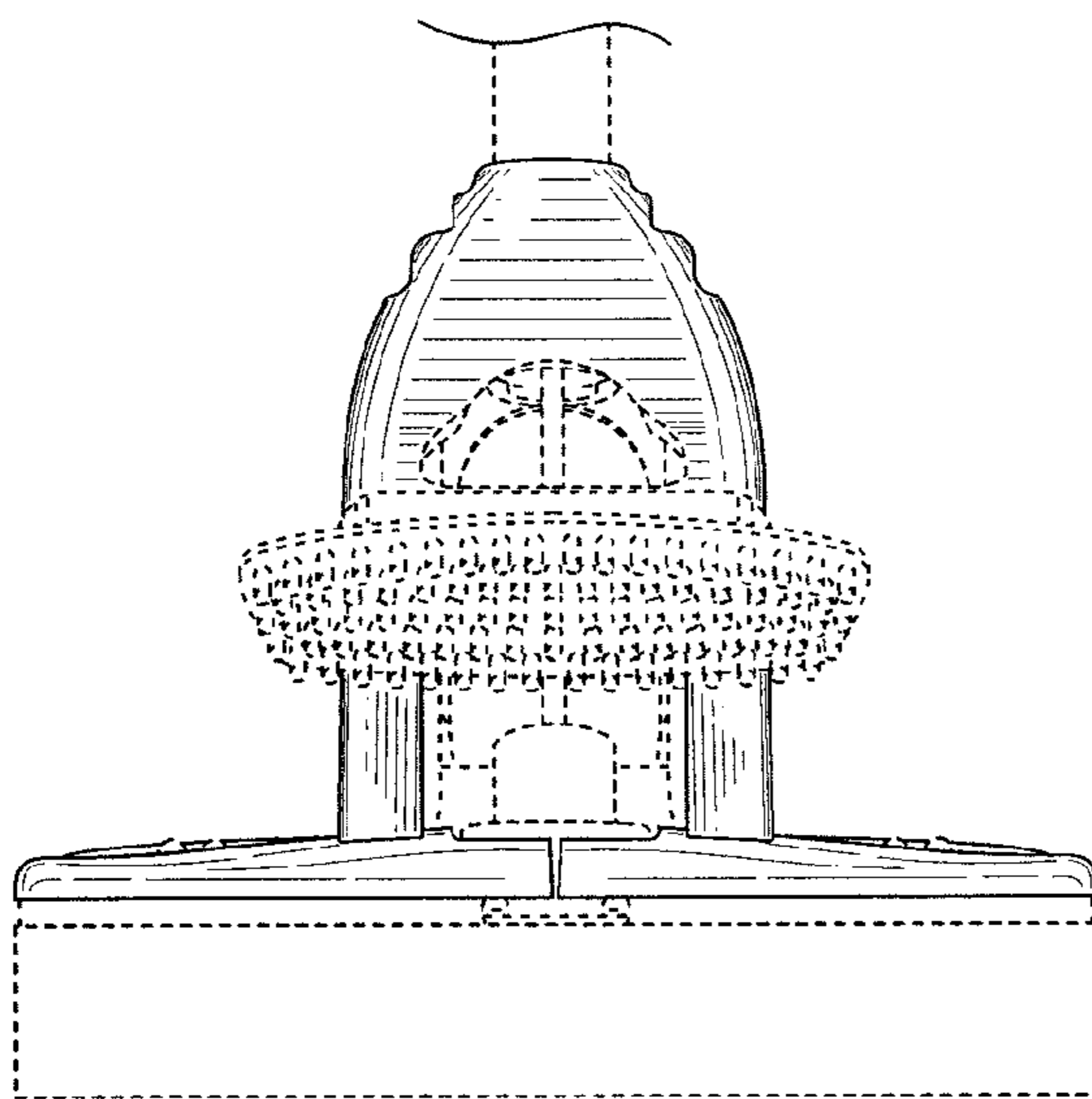


FIG. 3

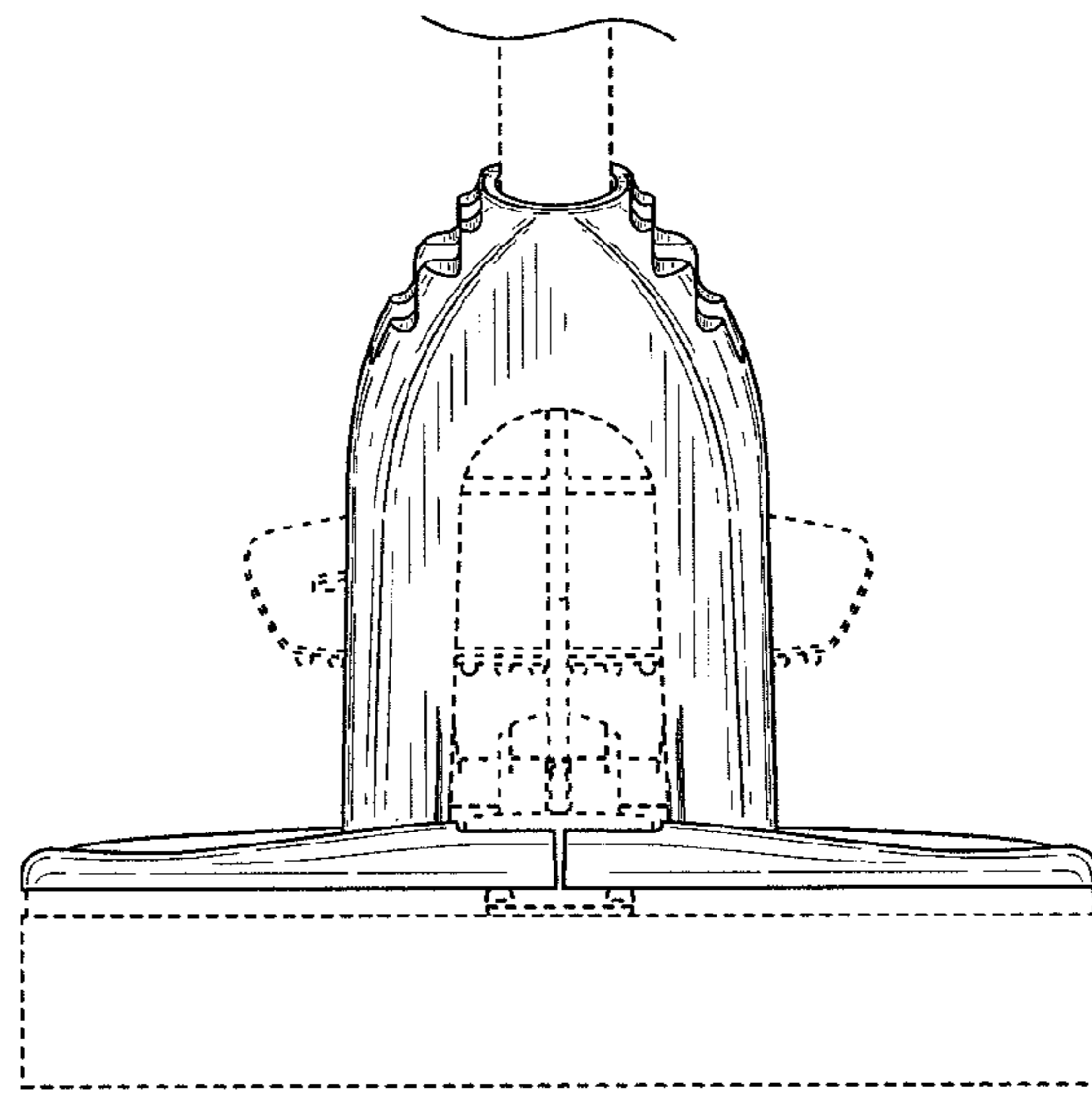


FIG. 4

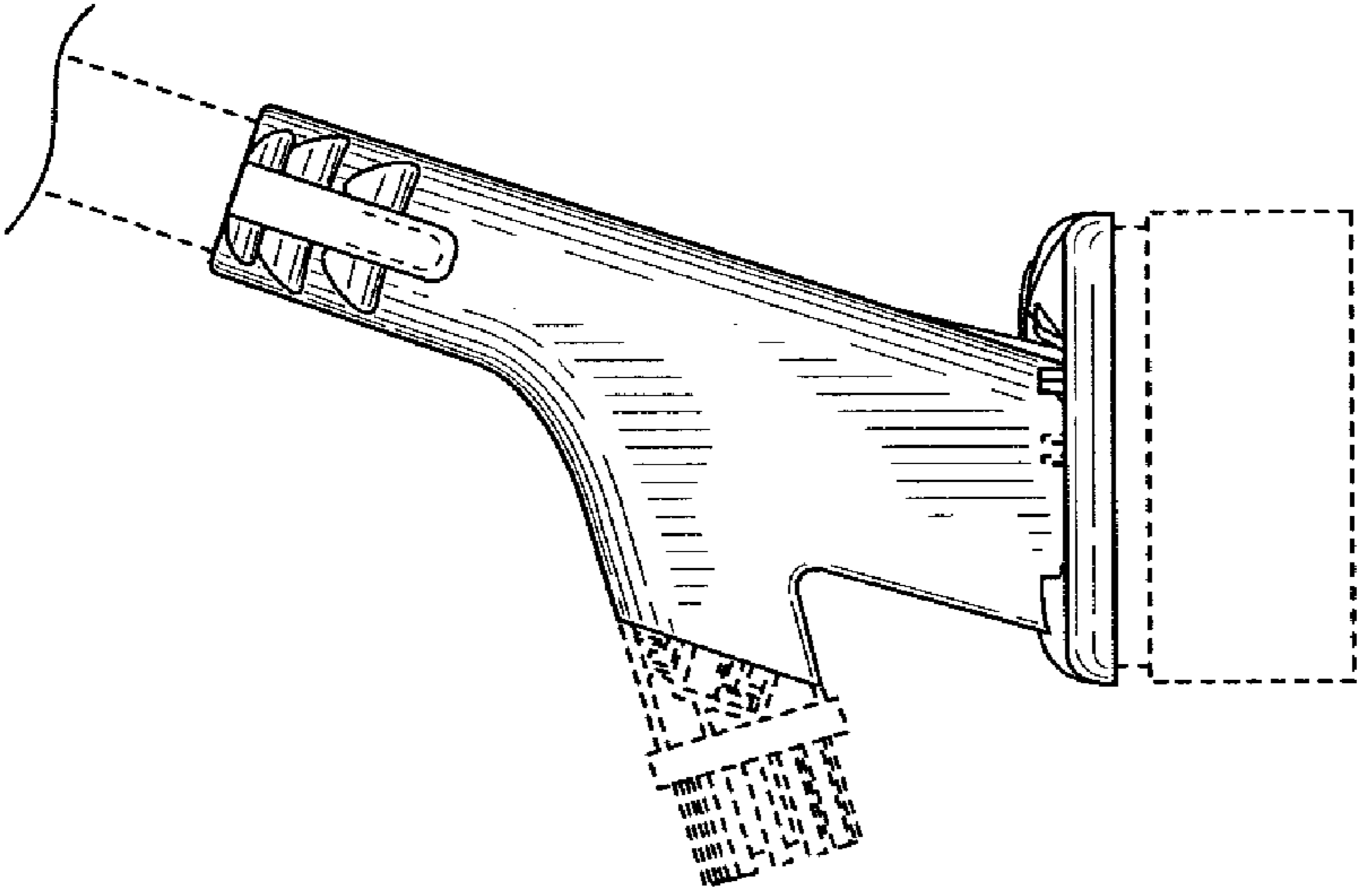


FIG. 6

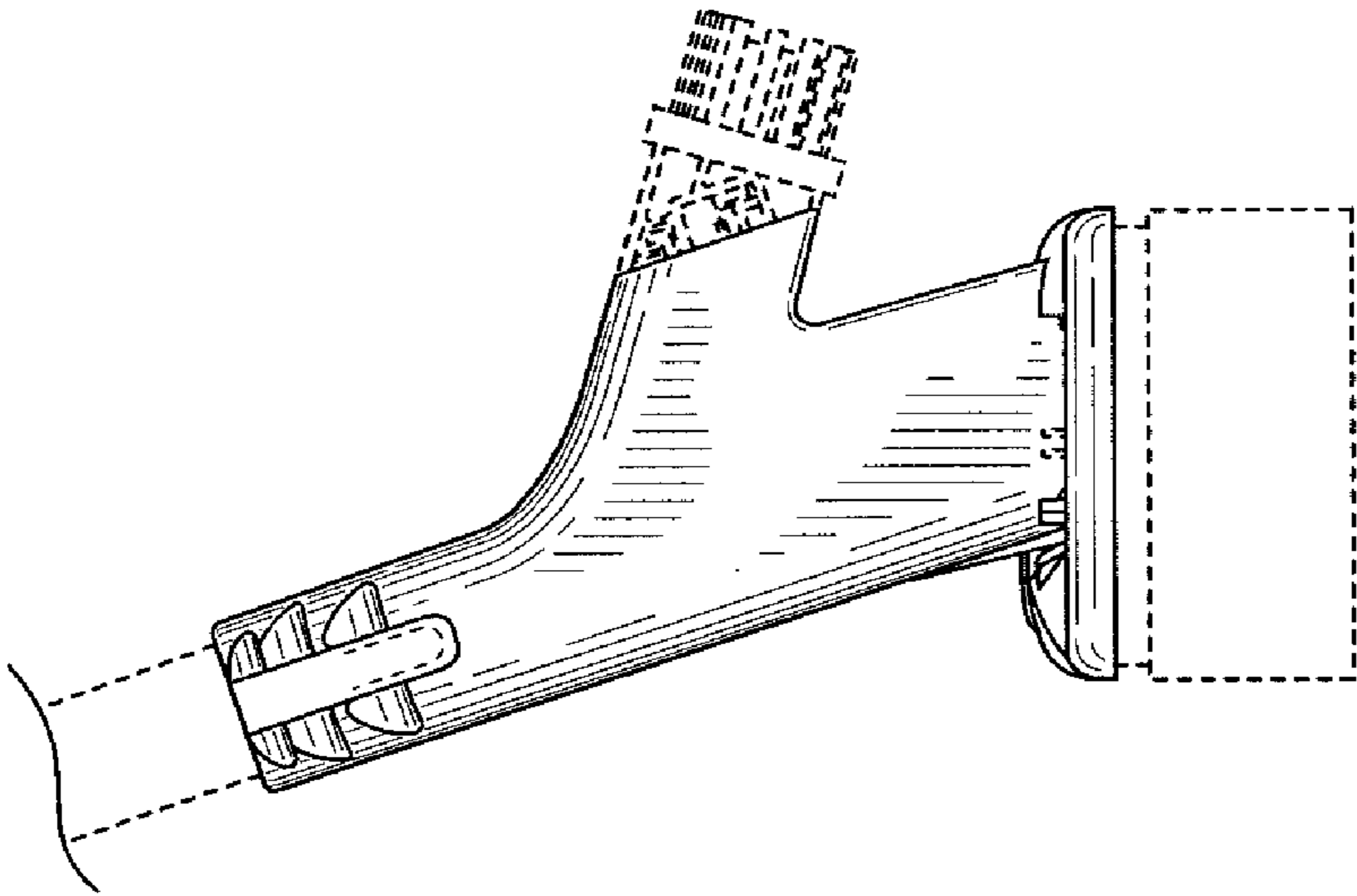


FIG. 5