

US00D599967S

(12) **United States Design Patent**
Blanc-Tailleur

(10) **Patent No.:** **US D599,967 S**
(45) **Date of Patent:** **** Sep. 8, 2009**

(54) **SWIMMING POOL CLEANER ROBOT**

(75) Inventor: **Philippe Blanc-Tailleur**, Toulouse (FR)

(73) Assignee: **Zodiac Pool Care Europe** (FR)

(**) Term: **14 Years**

(21) Appl. No.: **29/312,042**

(22) Filed: **Sep. 26, 2008**

(30) **Foreign Application Priority Data**

Jun. 23, 2008 (EM) 000956859-0001

(51) **LOC (9) Cl.** **15-05**

(52) **U.S. Cl.** **D32/1**

(58) **Field of Classification Search** D32/1,
D32/15, 21; 15/1.7; 210/169, 416.2, 460
See application file for complete search history.

(56) **References Cited**

U.S. PATENT DOCUMENTS

5,001,800 A * 3/1991 Parenti et al. 15/1.7

(Continued)

FOREIGN PATENT DOCUMENTS

| | | |
|----|----------------|---------|
| EM | 000313887-0001 | 3/2005 |
| FR | 963389 | 4/1997 |
| FR | 07/08993 | 12/2007 |
| FR | 07/08994 | 12/2007 |
| FR | 07/08995 | 12/2007 |
| FR | 07/08996 | 12/2007 |
| FR | 07/08997 | 12/2007 |
| FR | 07/08998 | 12/2007 |
| FR | 07/08999 | 12/2007 |
| FR | 07/09000 | 12/2007 |
| FR | 07/09001 | 12/2007 |
| FR | 07/09002 | 12/2007 |

| | | |
|----|------------|---------|
| FR | 07/09003 | 12/2007 |
| FR | 08/01675 | 3/2008 |
| FR | 08/01676 | 3/2008 |
| FR | 08/04424 | 8/2008 |
| WO | DM 039 680 | 12/1996 |
| WO | DM 065 762 | 8/2004 |

Primary Examiner—T. Chase Nelson
Assistant Examiner—Kathleen M Sims
(74) *Attorney, Agent, or Firm*—Dean W. Russell; Michael A. Bertelson; Kilpatrick Stockton LLP

(57) **CLAIM**

The ornamental design for a swimming pool cleaner robot, as shown and described.

DESCRIPTION

FIG. 1 is a front view of the swimming pool cleaner robot showing my new design.

FIG. 2 is a back view of the new design for a swimming pool cleaner robot;

FIG. 3 is a top view of the new design for a swimming pool cleaner robot;

FIG. 4 is a right side view of the new design for a swimming pool cleaner robot;

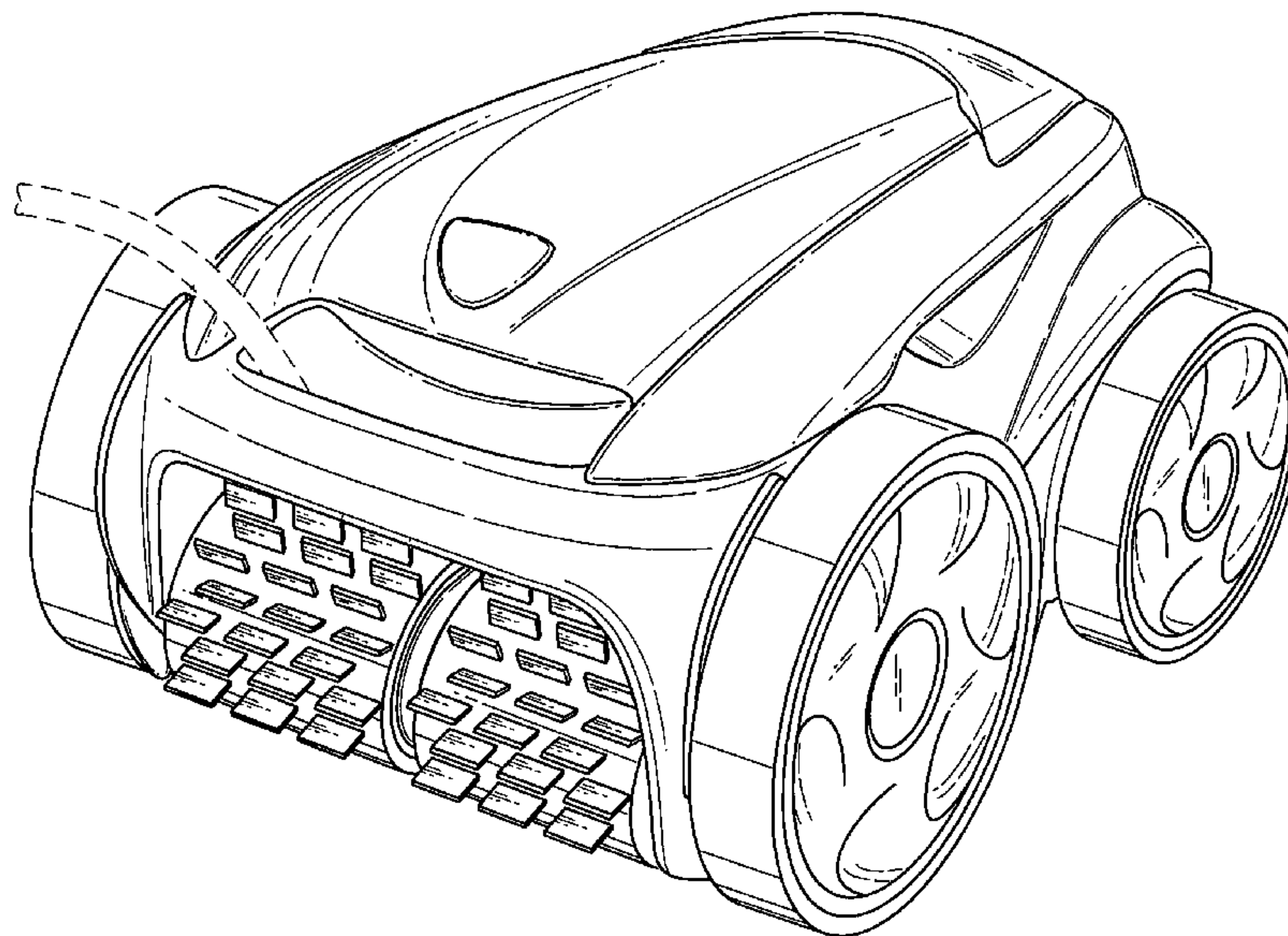
FIG. 5 is a left side view of the new design for a swimming pool cleaner robot;

FIG. 6 is a front perspective view of the new design for a swimming pool cleaner robot; and,

FIG. 7 is a rear perspective view of the new design for a swimming pool cleaner robot.

Portions or features of the swimming pool cleaner robot not shown in the drawings form no part of the claimed design. Portions or features of the swimming pool cleaner robot shown in broken lines form no part of the claimed design.

1 Claim, 7 Drawing Sheets



US D599,967 S

Page 2

U.S. PATENT DOCUMENTS

| | | | | | | | | | |
|-----------|-----|---------|--------------------|--------|--------------|------|---------|-------------------|---------|
| 5,097,559 | A * | 3/1992 | Brunt et al. | 15/1.7 | D445,225 | S | 7/2001 | Schaub | |
| 5,245,723 | A * | 9/1993 | Sommer | 15/1.7 | 6,299,699 | B1 * | 10/2001 | Porat et al. | 134/6 |
| 5,351,355 | A | 10/1994 | Chiniara | | D469,589 | S | 1/2003 | Wichmann et al. | |
| 5,507,058 | A * | 4/1996 | Minami et al. | 15/1.7 | D471,330 | S | 3/2003 | Campbell | |
| D373,230 | S | 8/1996 | Sebor et al. | | 6,627,074 | B2 | 9/2003 | Lincke | |
| D376,450 | S | 12/1996 | Campbell et al. | | 6,842,931 | B2 | 1/2005 | Porat et al. | |
| D384,782 | S * | 10/1997 | Gefter | D32/21 | 6,954,960 | B2 | 10/2005 | Pichon | |
| D401,023 | S * | 11/1998 | Sebor et al. | D32/33 | 6,965,814 | B2 * | 11/2005 | Hadari | 700/282 |
| D408,104 | S | 4/1999 | Adam | | D526,101 | S | 8/2006 | Blanc-Tailleur | |
| D417,322 | S * | 11/1999 | Hollinger | D32/1 | D529,669 | S | 10/2006 | Blanc-Tailleur | |
| D418,640 | S | 1/2000 | Veloskey et al. | | 7,118,632 | B2 * | 10/2006 | Sumonthee | 134/6 |
| D421,512 | S * | 3/2000 | Campbell | D32/1 | D575,915 | S * | 8/2008 | Dreyer | D32/15 |
| D433,545 | S | 11/2000 | Hollinger et al. | | 7,464,429 | B2 * | 12/2008 | Stoltz | 15/1.7 |
| 6,212,725 | B1 | 4/2001 | Porat | | 2002/0104790 | A1 | 8/2002 | Lincke | |
| D443,737 | S | 6/2001 | Rief et al. | | 2004/0025268 | A1 | 2/2004 | Porat et al. | |
| D444,280 | S | 6/2001 | Rief et al. | | 2005/0262652 | A1 | 12/2005 | Sumonthee | |

* cited by examiner

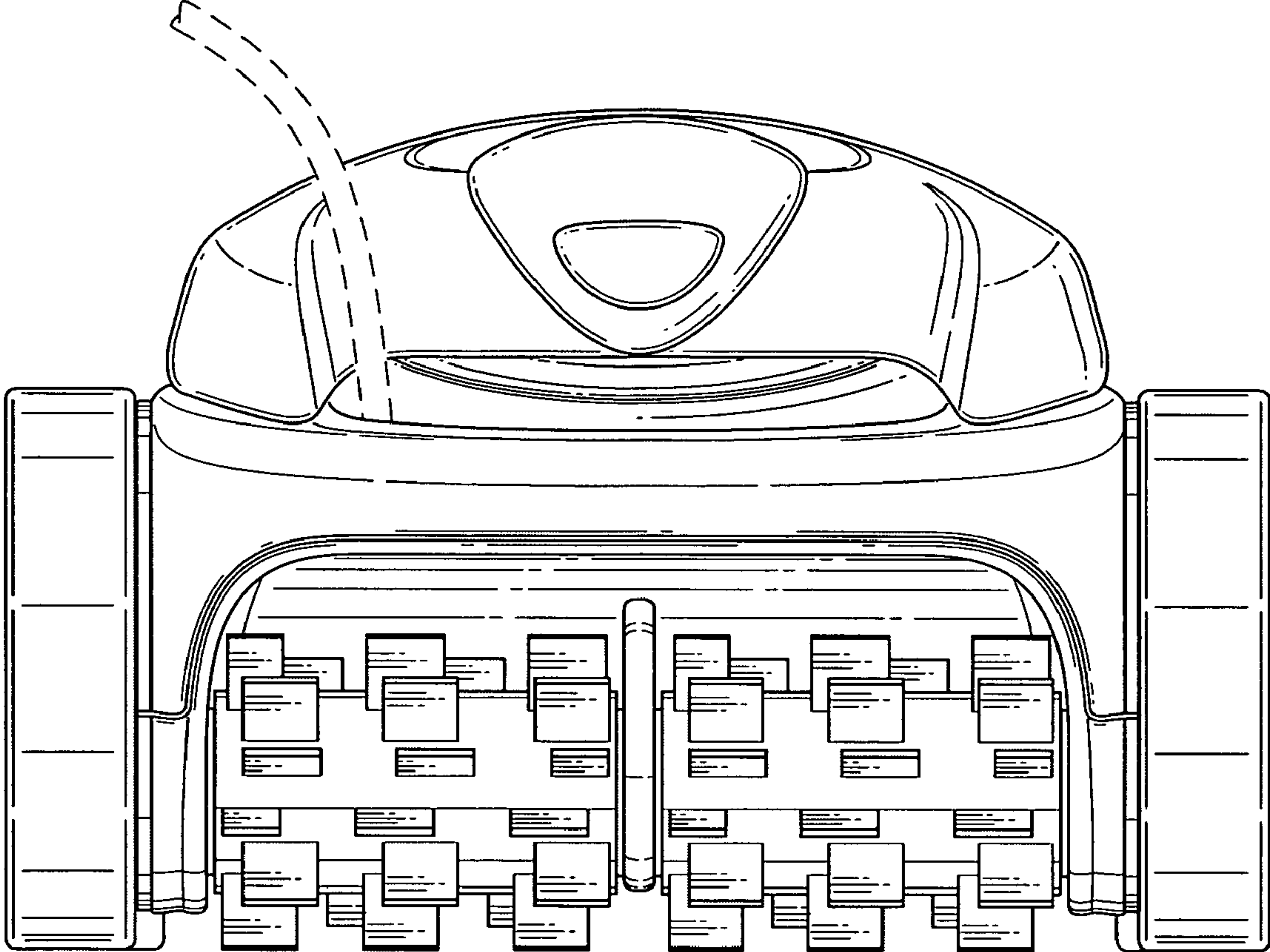


FIG. 1

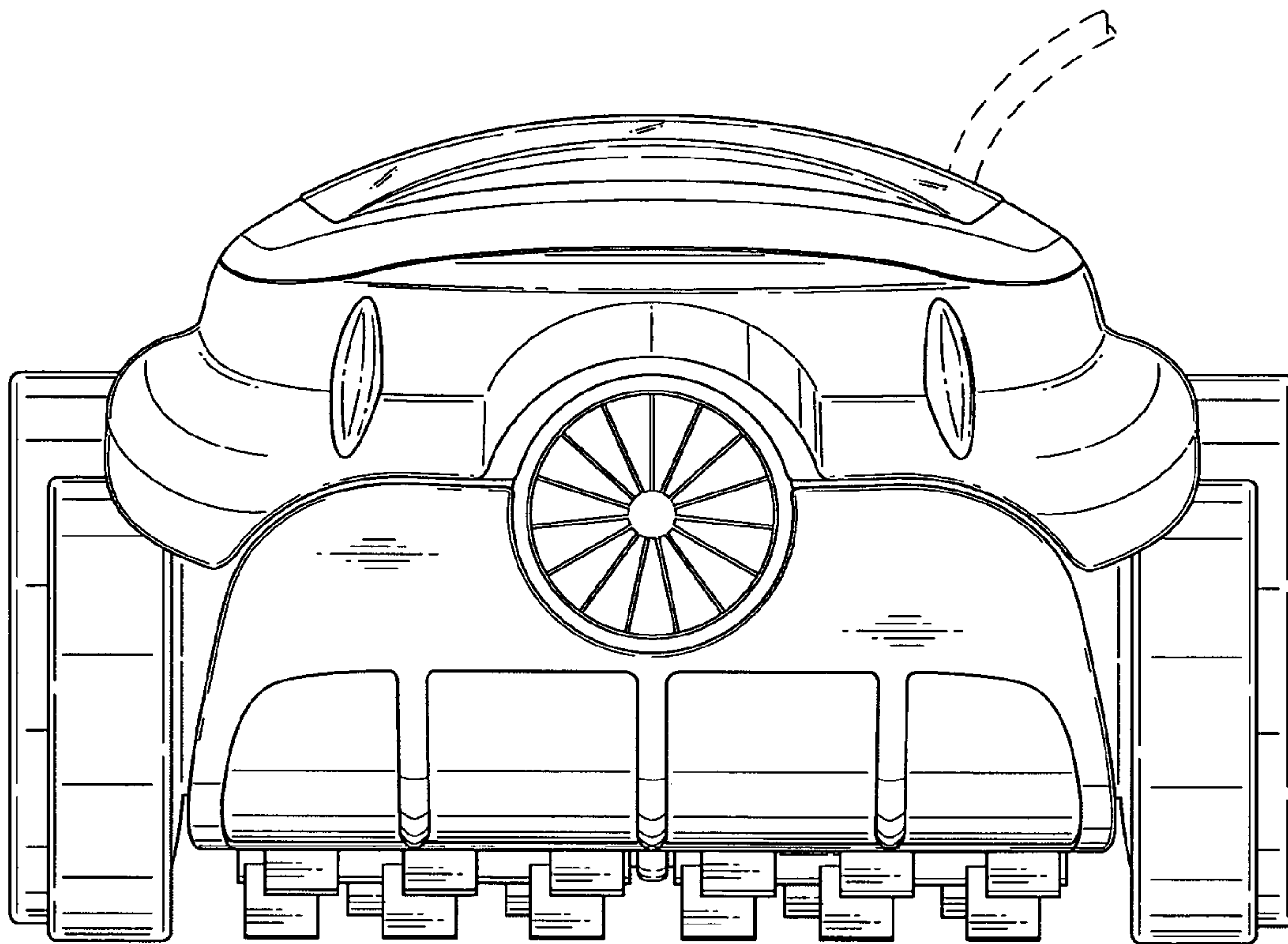


FIG. 2

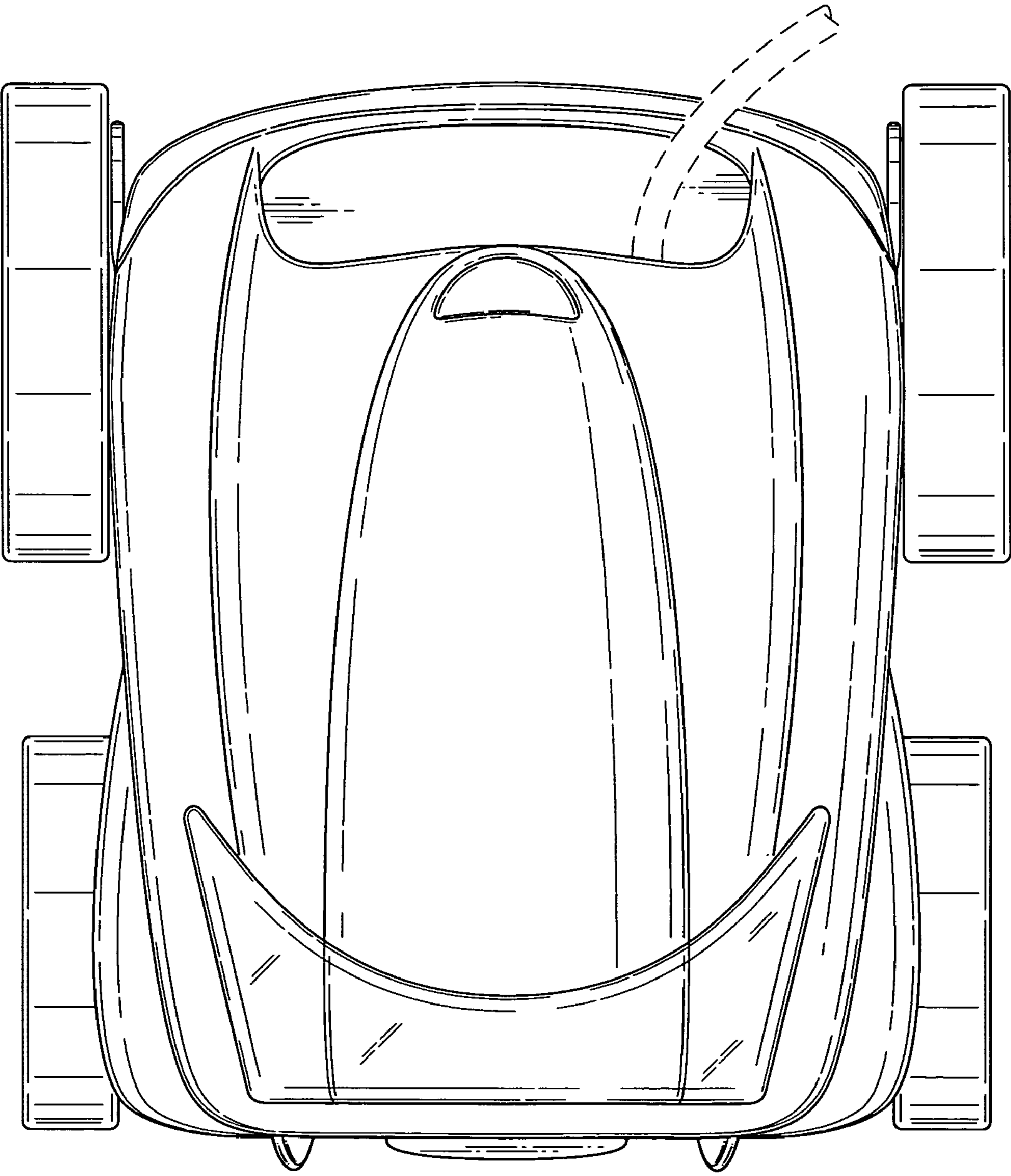


FIG. 3

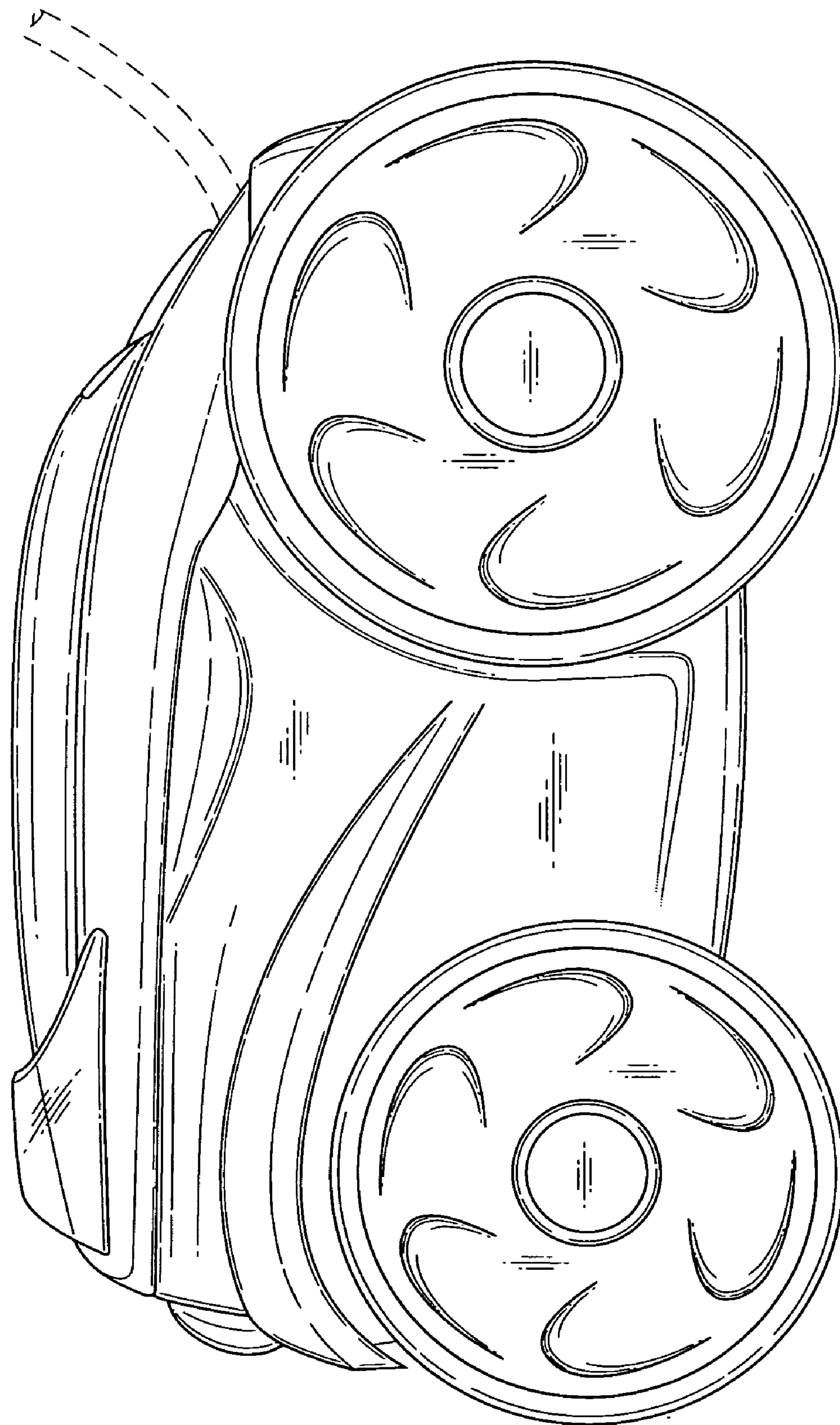


FIG. 4

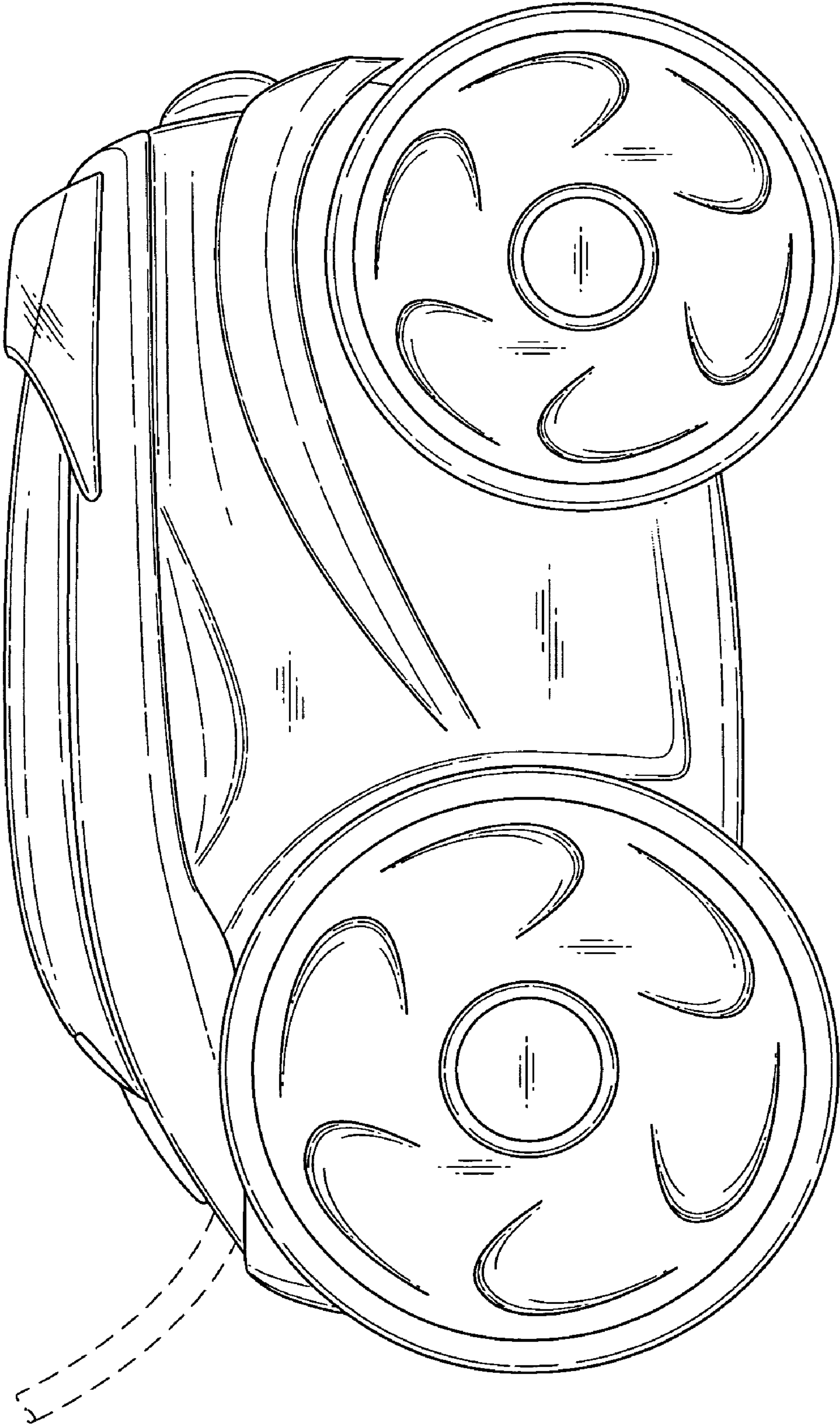


FIG. 5

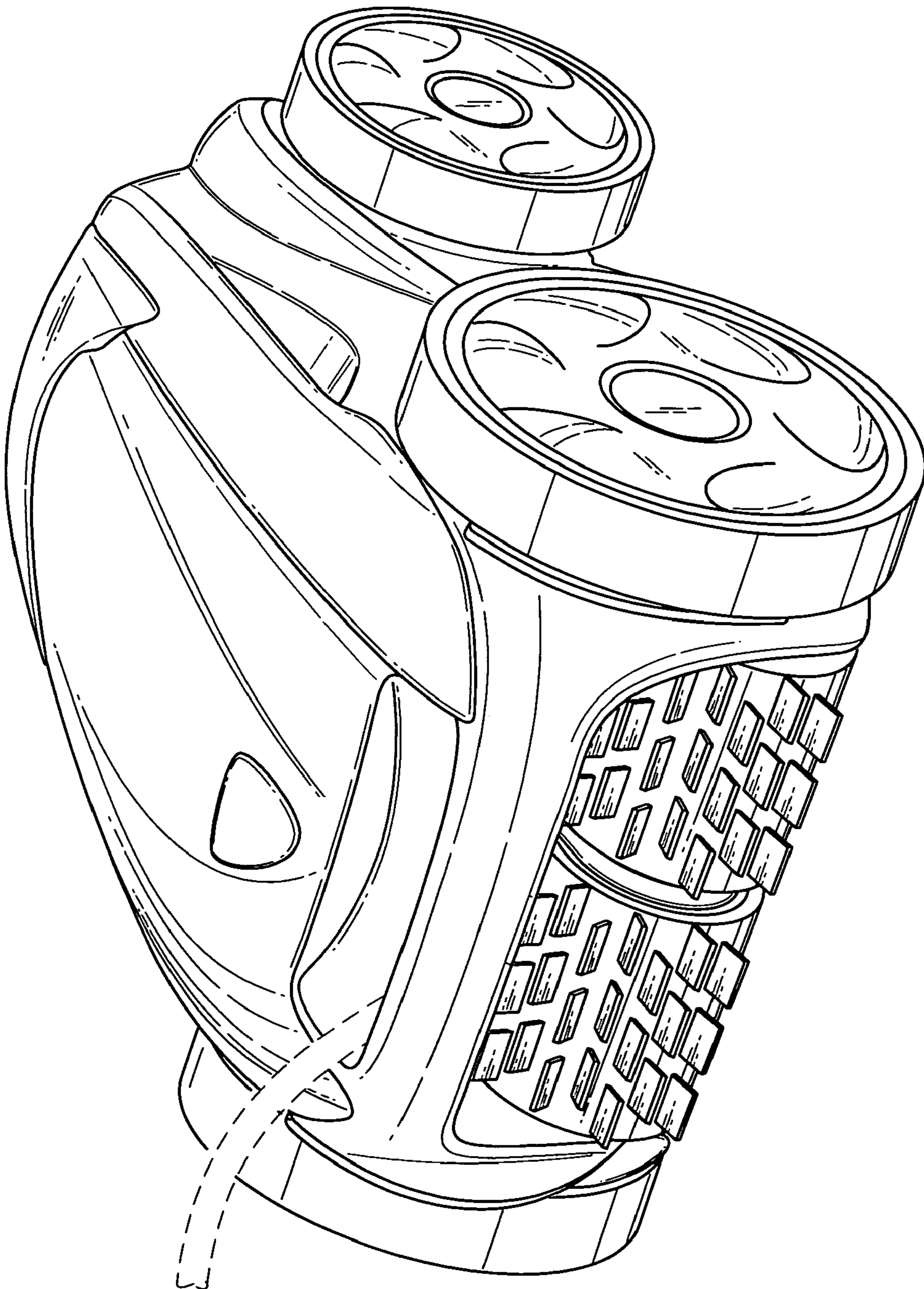


FIG. 6

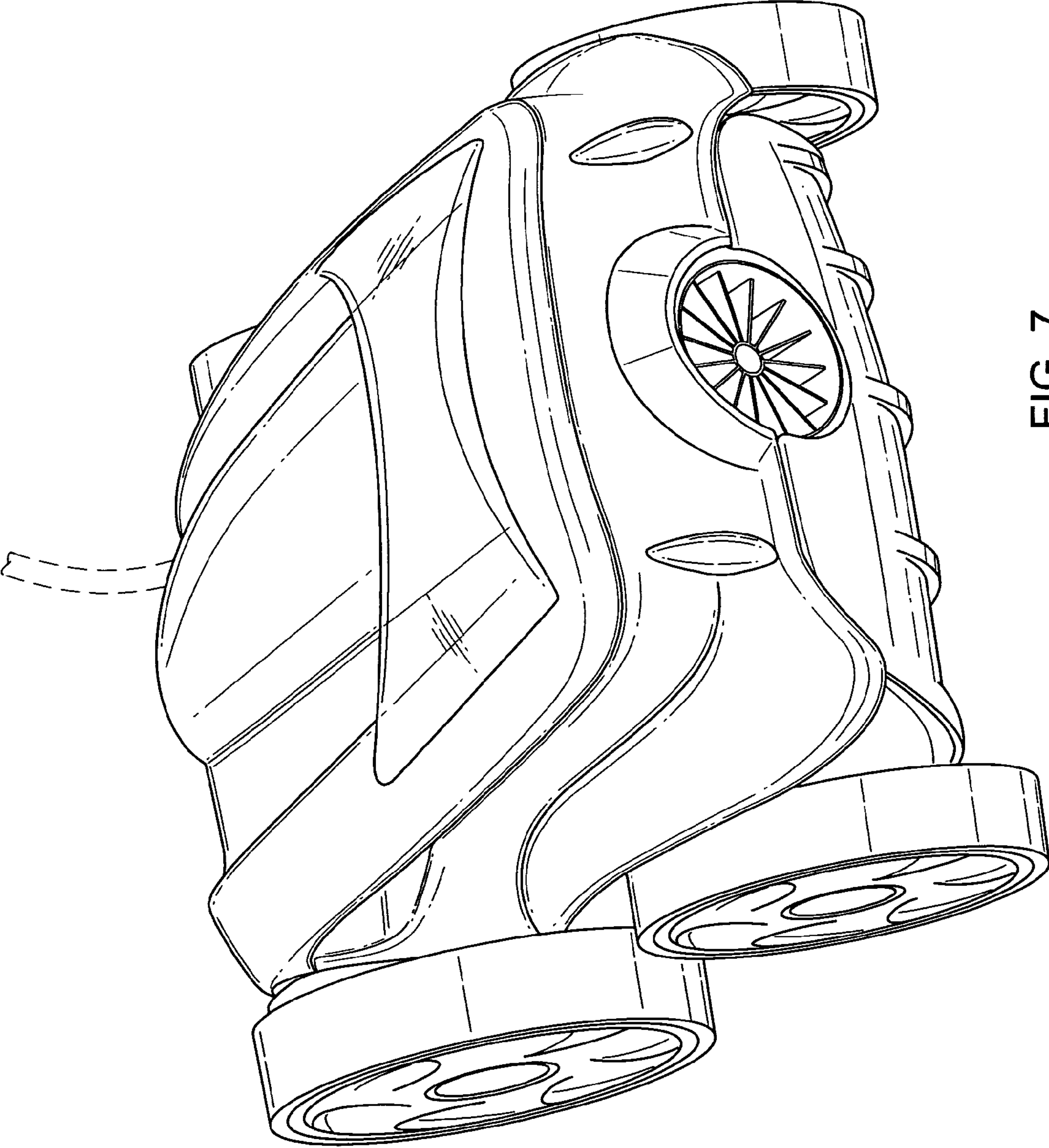


FIG. 7