

US00D599964S

(12) **United States Design Patent**  
**Viola**

(10) **Patent No.:** **US D599,964 S**

(45) **Date of Patent:** **\*\* Sep. 8, 2009**

(54) **PET TOY BASKETBALL WITH BONE SHAPES**

(76) **Inventor:** **Charles Alfred Viola, 511 S. 2<sup>nd</sup> St., Fairfield, IA (US) 52556**

(\*\*) **Term:** **14 Years**

(21) **Appl. No.:** **29/301,133**

(22) **Filed:** **Feb. 11, 2008**

(51) **LOC (9) Cl.** ..... **30-99**

(52) **U.S. Cl.** ..... **D30/160**

(58) **Field of Classification Search** ..... 30/99  
See application file for complete search history.

(56) **References Cited**

**U.S. PATENT DOCUMENTS**

D88,289	S	*	11/1932	Hawes	.....	D21/713
2,031,240	A	*	2/1936	Van Deest	.....	473/595
2,078,382	A	*	4/1937	Hanshaw	.....	473/595
2,362,064	A	*	11/1944	Giesinger	.....	473/595
D264,365	S	*	5/1982	Arino	.....	D21/713
D317,805	S	*	6/1991	Swan	.....	D21/707
D358,858	S	*	5/1995	McGreevy	.....	D21/707

D421,078	S	*	2/2000	Weiss, Jr.	.....	D21/713
D438,269	S	*	2/2001	Brandon	.....	D21/707
D473,021	S	*	4/2003	Gourley	.....	D30/160
D501,520	S	*	2/2005	Fraze	.....	D21/707
D520,086	S	*	5/2006	Just et al.	.....	D21/707

\* cited by examiner

*Primary Examiner*—Cathy Anne MacCormac

(57) **CLAIM**

I claim the ornamental design for the pet toy basketball with bone shapes, as shown and described.

**DESCRIPTION**

FIG. 1 is a perspective view of the pet toy basketball with bone shapes, showing my new design;

FIG. 2 is a top plan view thereof, the bottom plan view being a mirror image;

FIG. 3 is a right side elevational view thereof;

FIG. 4 is a left side elevational view thereof; and,

FIG. 5 is an end elevational view thereof; the opposite end being mirror image.

**1 Claim, 3 Drawing Sheets**

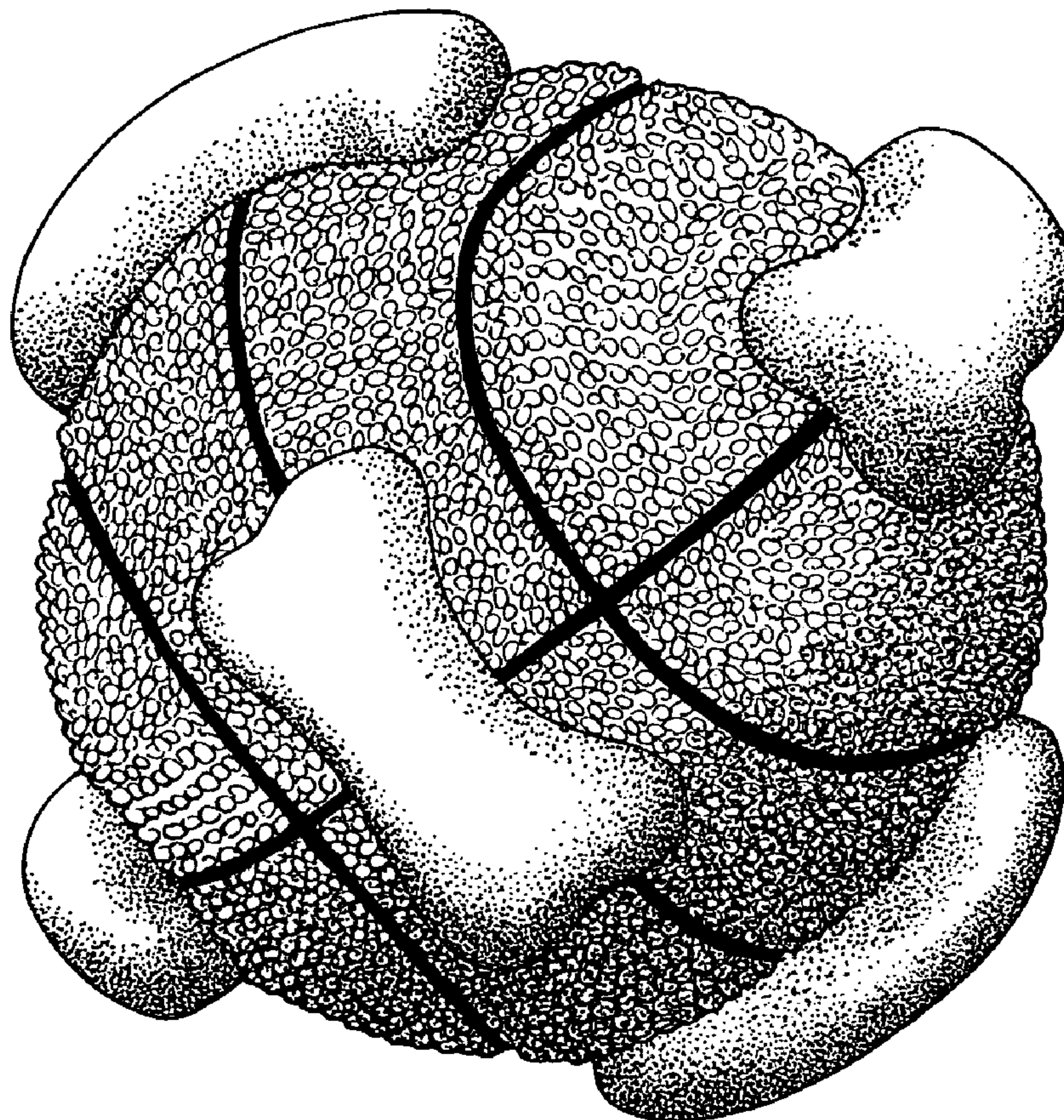




FIG. 1

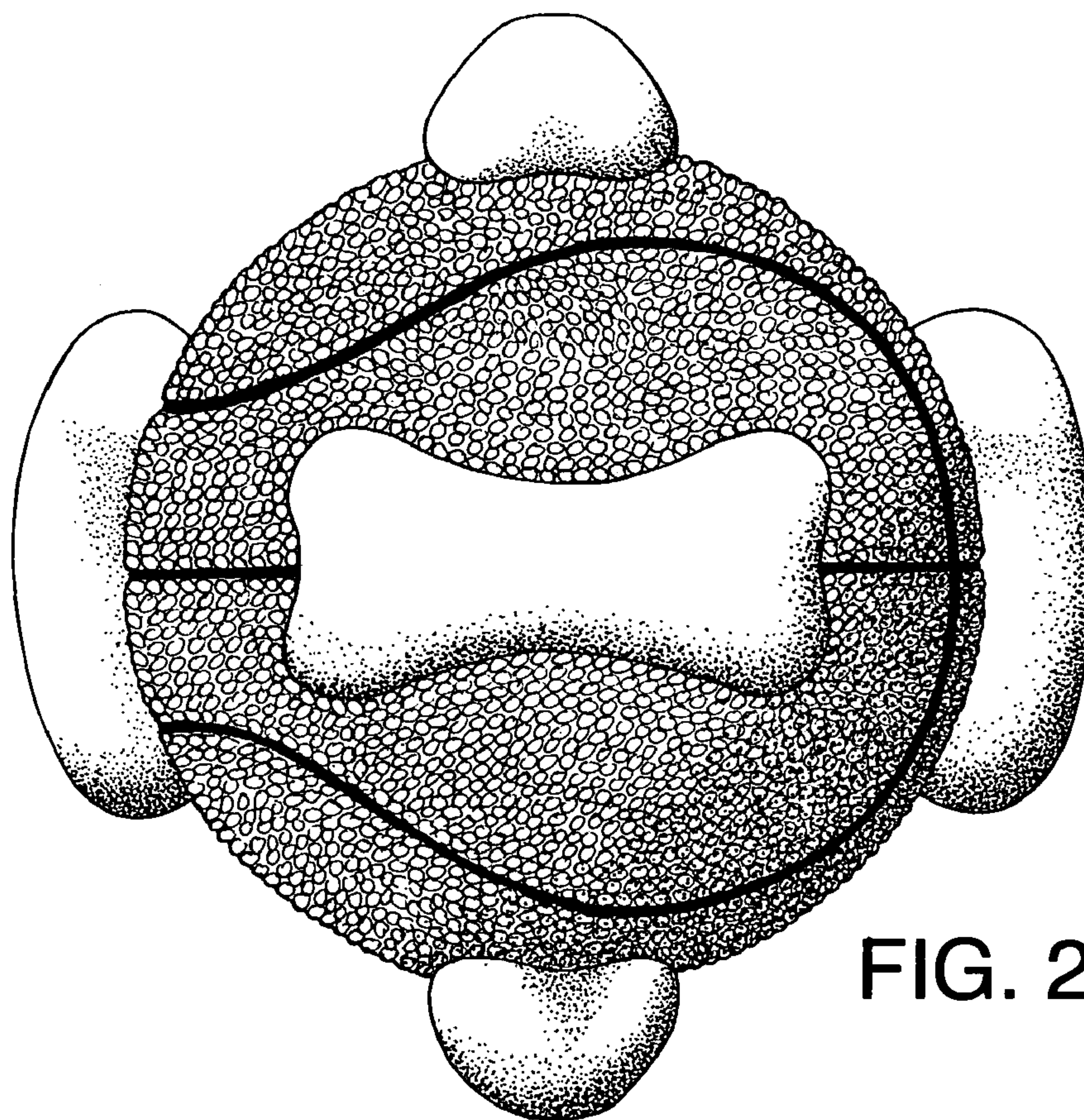
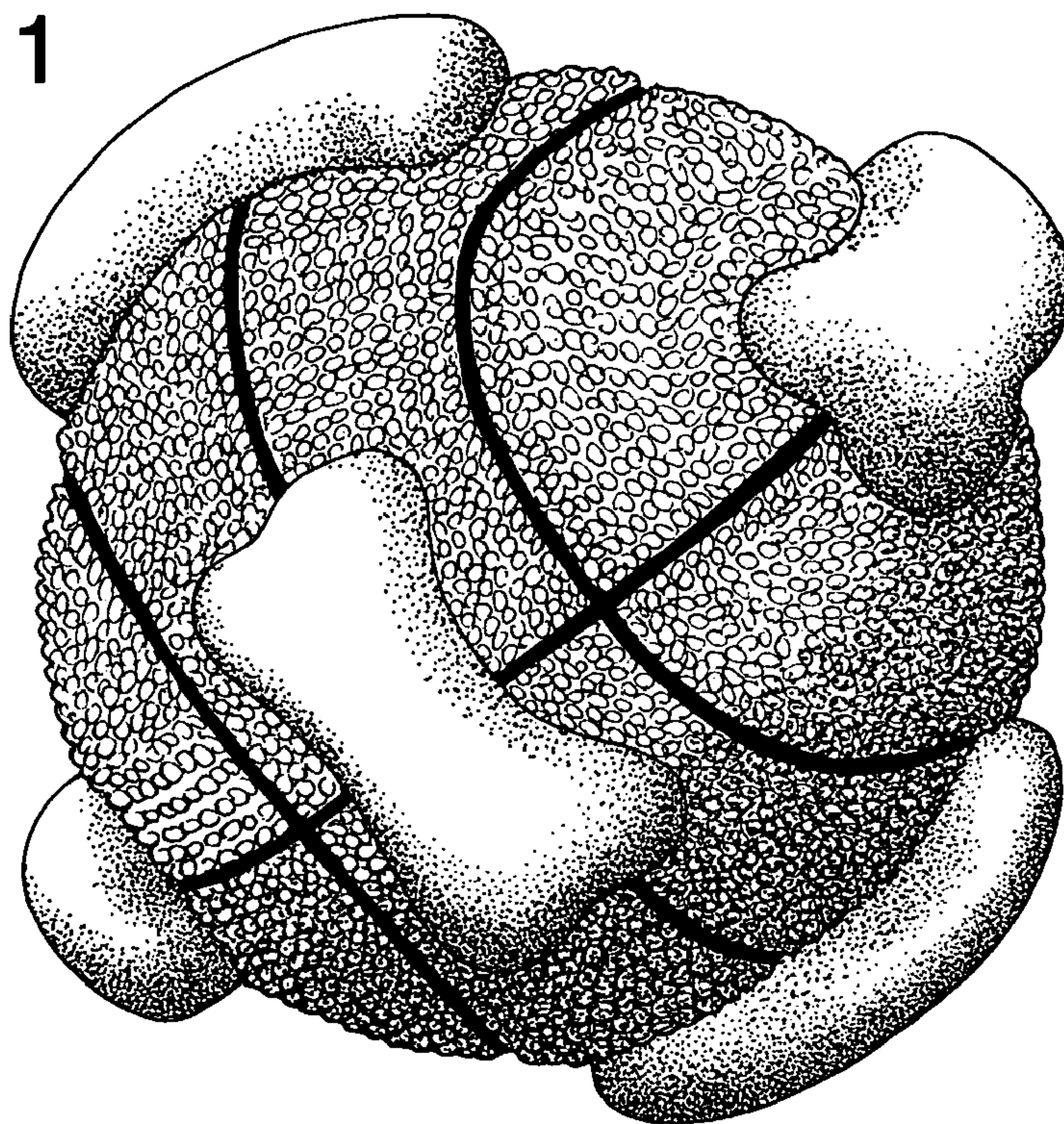


FIG. 2



FIG. 3

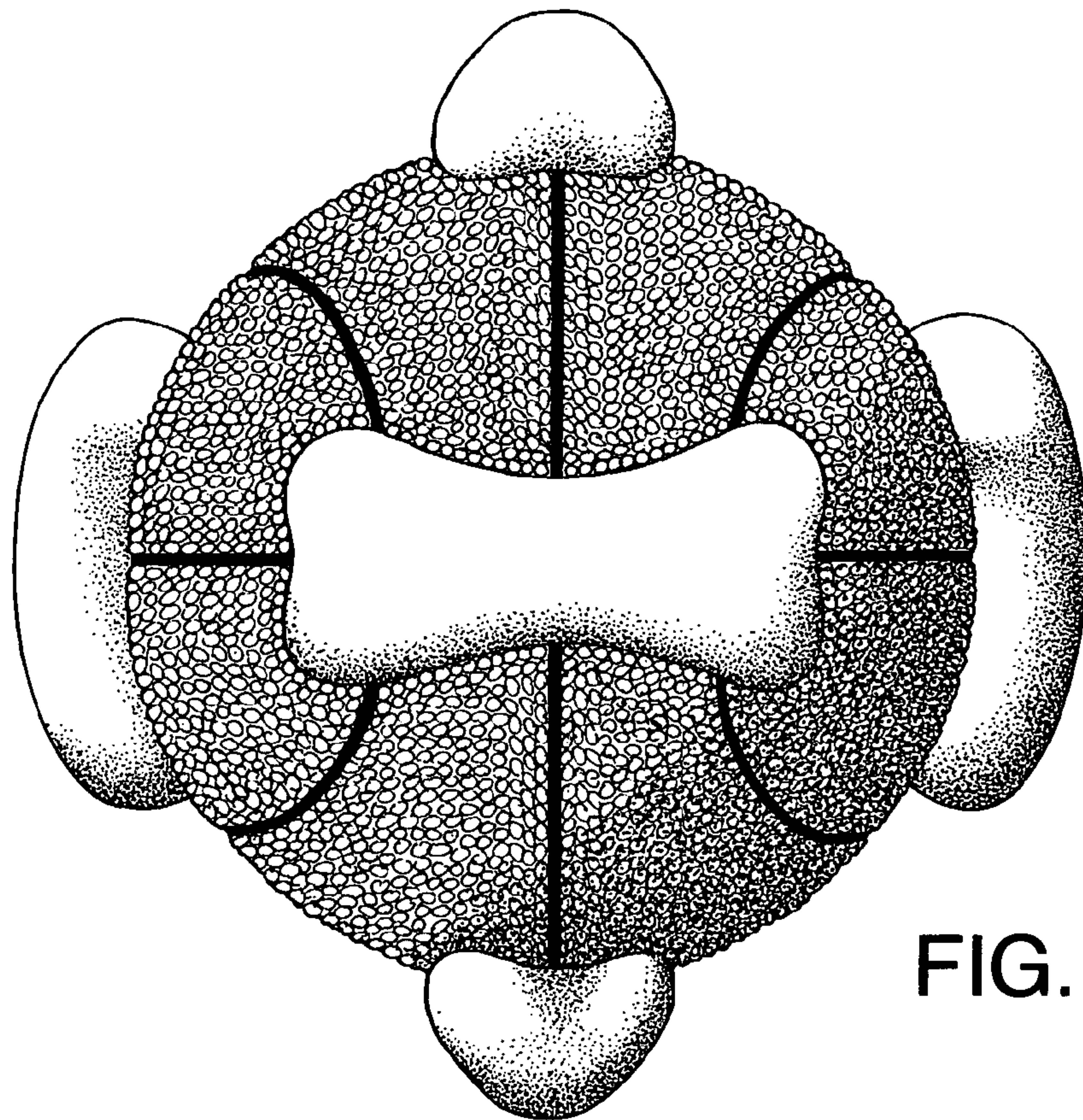
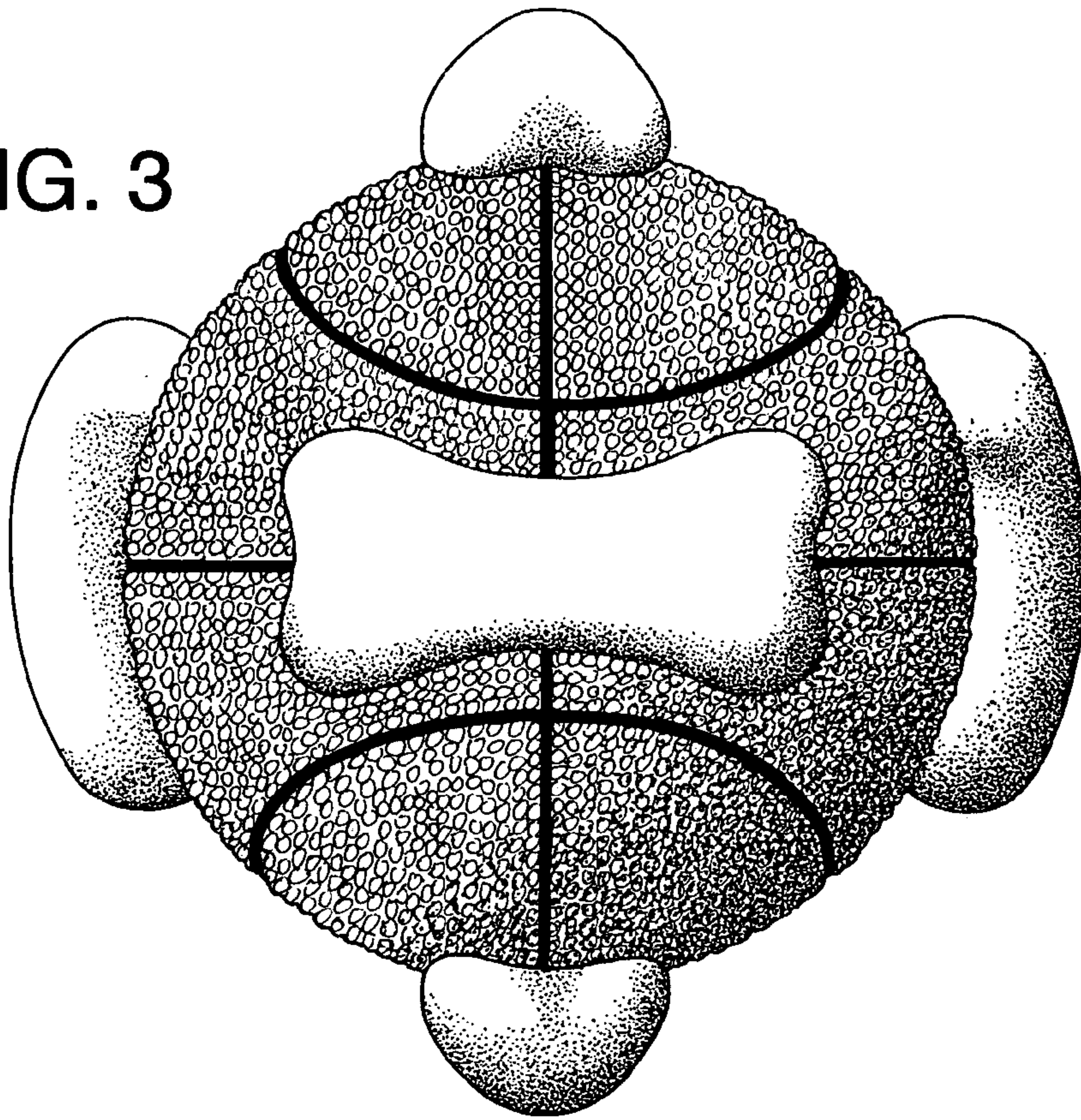


FIG. 4



FIG. 5

