



US00D599956S

(12) **United States Design Patent**  
**Kim**

(10) **Patent No.:** **US D599,956 S**

(45) **Date of Patent:** **\*\* Sep. 8, 2009**

(54) **NAIL FILE**

(76) **Inventor:** **Ryoong Hee Kim**, 110-101, Mok-dong  
Lotte Castle Winner Apt., Mok 3-dong,  
Yangcheon-gu, Seoul (KR)

(\*\*) **Term:** **14 Years**

(21) **Appl. No.:** **29/329,893**

(22) **Filed:** **Dec. 23, 2008**

(30) **Foreign Application Priority Data**

Sep. 10, 2008 (KR) ..... 30-2008-0039466

(51) **LOC (9) Cl.** ..... **28-03**

(52) **U.S. Cl.** ..... **D28/59**

(58) **Field of Classification Search** ..... 132/73-76.5;  
D28/56-62; D24/147

See application file for complete search history.

(56) **References Cited**

**U.S. PATENT DOCUMENTS**

D416,648 S \* 11/1999 Letherby et al. .... D28/59

D459,548 S \* 6/2002 Torkiya ..... D28/59

D467,389 S \* 12/2002 Torkiya ..... D28/59

D475,808 S \* 6/2003 Jancik ..... D28/59

D513,093 S \* 12/2005 Kim ..... D28/59

D530,450 S \* 10/2006 Park ..... D28/59

\* cited by examiner

*Primary Examiner*—Jennifer Rivard

(74) *Attorney, Agent, or Firm*—John K. Park; Park Law Firm

(57) **CLAIM**

The ornamental design for a nail file, as shown and described.

**DESCRIPTION**

FIG. 1 is a perspective view of a nail file showing my new design;

FIG. 2 is a front elevation view thereof;

FIG. 3 is a rear elevation view thereof;

FIG. 4 is a top plan view thereof;

FIG. 5 is a bottom plan view thereof;

FIG. 6 is a left side view thereof; and,

FIG. 7 is a right side view thereof.

**1 Claim, 7 Drawing Sheets**

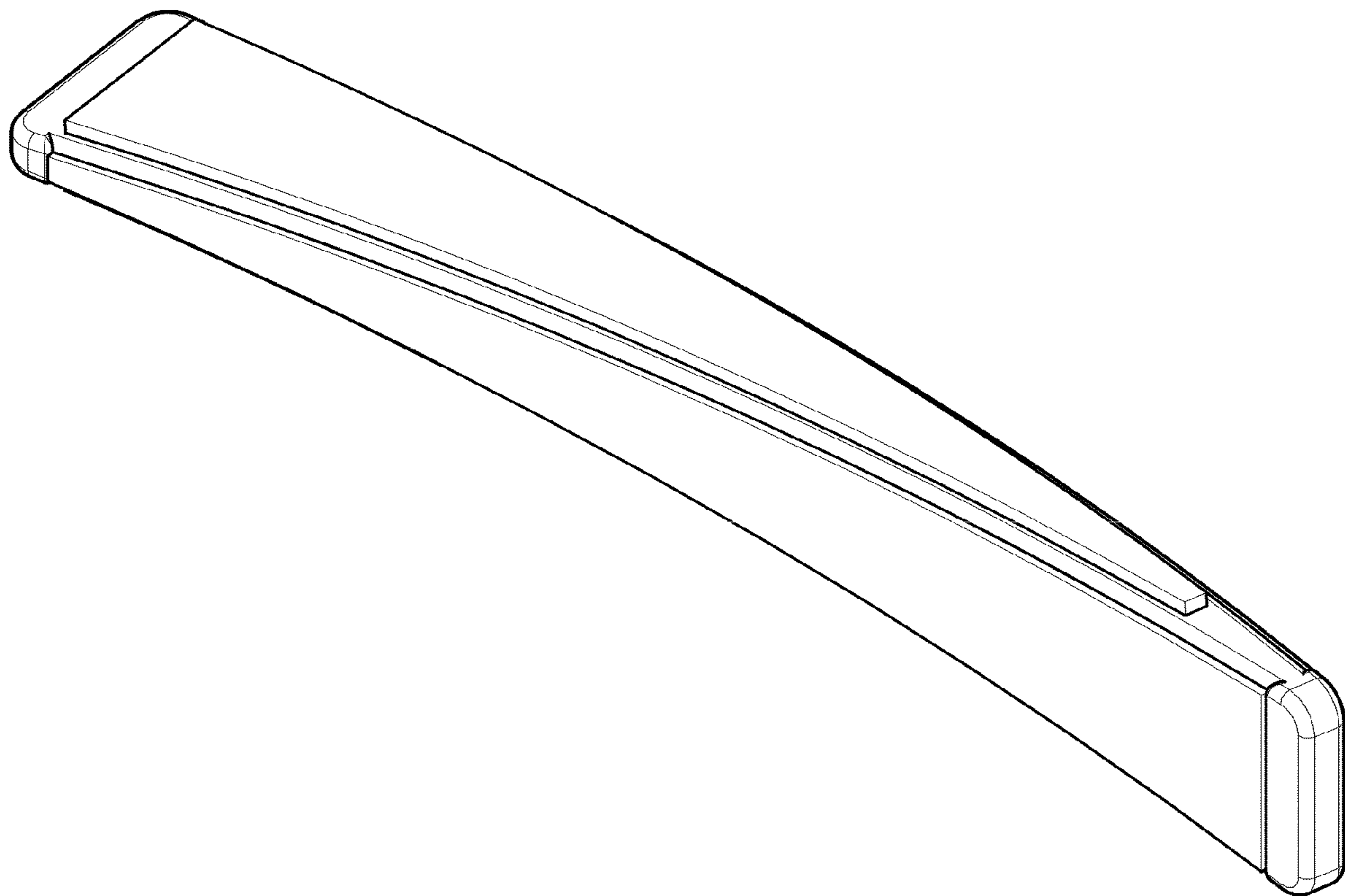


Fig. 1

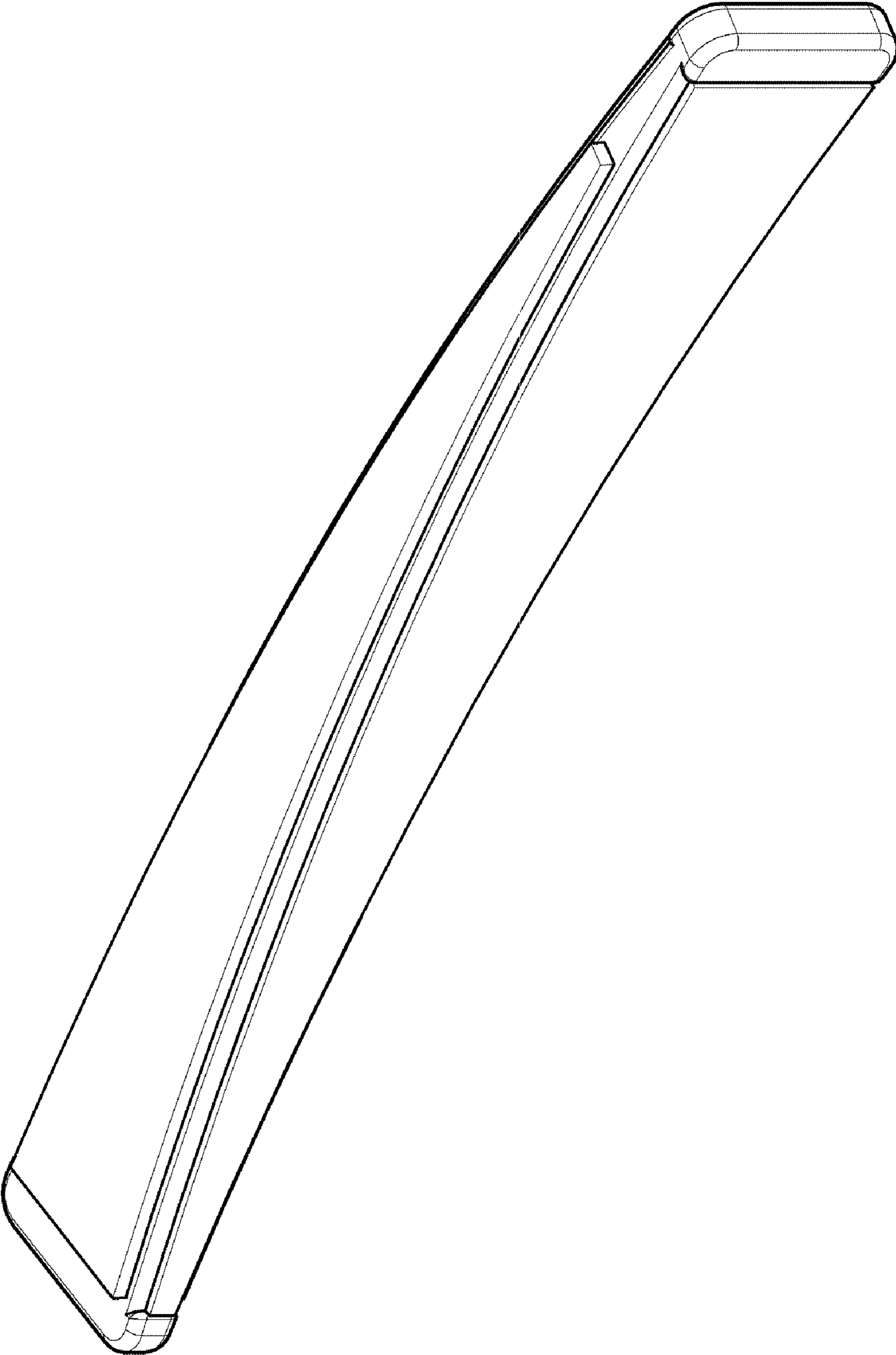


Fig. 2

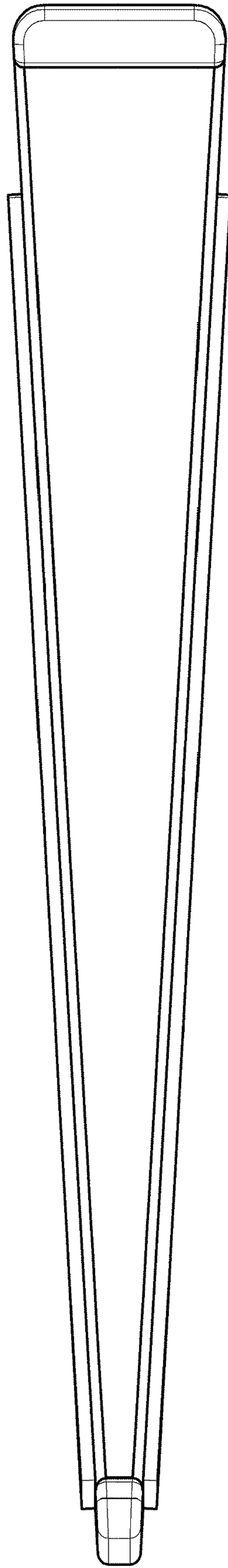


Fig. 3

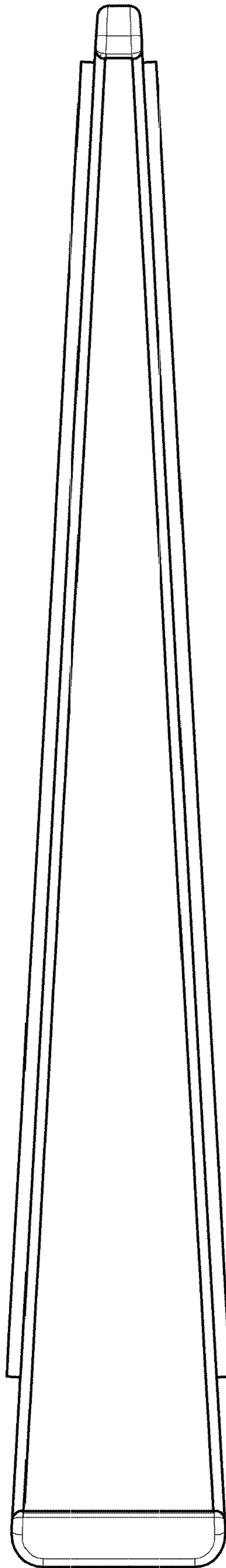


Fig. 4



Fig. 5

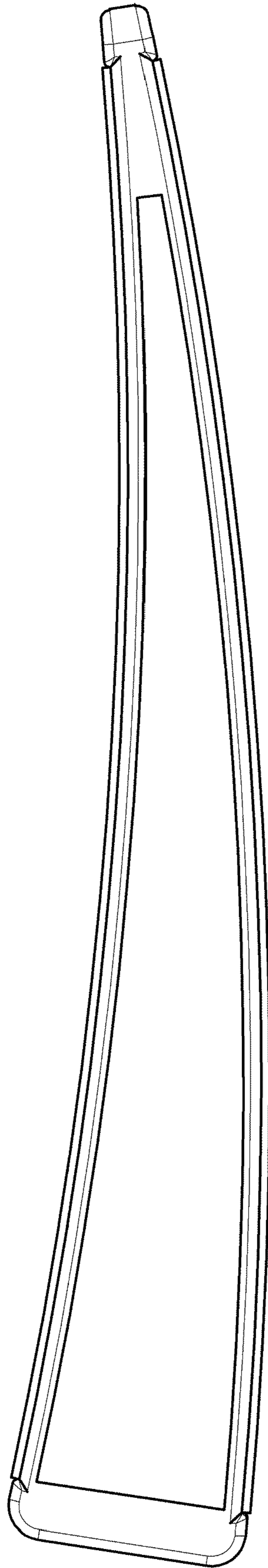


Fig. 6

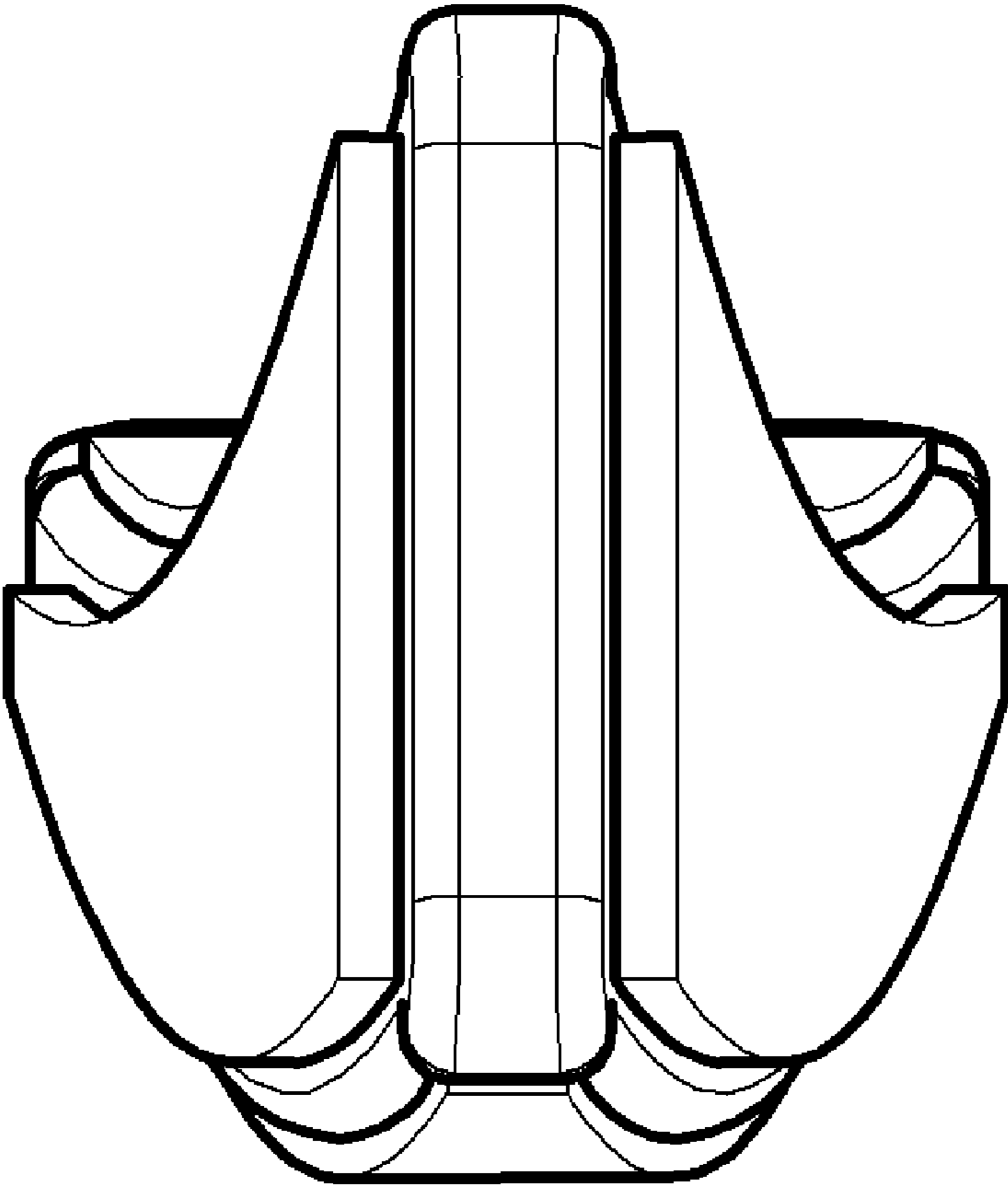


Fig. 7

