



US00D599954S

(12) **United States Design Patent**
Michaels et al.

(10) **Patent No.:** **US D599,954 S**
(45) **Date of Patent:** **** Sep. 8, 2009**

(54) **LASER COMB**

(57) **CLAIM**

(75) Inventors: **David Michaels**, Delray Beach, FL
(US); **Henry Pearl**, Naremburn (AU)

The ornamental design for a laser comb, as shown and described.

(73) Assignee: **Lexington Lasercomb IPAG**, St. Gallen
(CH)

DESCRIPTION

(**) Term: **14 Years**

FIG. 1 is perspective view of a first embodiment of a design for a laser comb;

(21) Appl. No.: **29/332,722**

FIG. 2 is a bottom view of the first embodiment of a design for a laser comb;

(22) Filed: **Feb. 24, 2009**

FIG. 3 is a top view of the first embodiment of a design for a laser comb and of a second embodiment of a design for a laser comb;

(51) **LOC (9) Cl.** **28-03**

(52) **U.S. Cl.** **D28/30**

(58) **Field of Classification Search** D28/7,
D28/20-22, 30-31; 132/53, 112, 126, 150,
132/208, 216, 219

FIG. 4 is a right side view of the first embodiment of a design for a laser comb;

See application file for complete search history.

FIG. 5 is a left side view of the first embodiment of a design for a laser comb;

(56) **References Cited**

U.S. PATENT DOCUMENTS

FIG. 6 is a front view of the first embodiment of a design for a laser comb and of the second embodiment of a design for a laser comb;

5,297,882	A *	3/1994	Kornides	401/184
D372,336	S *	7/1996	Kip	D28/18
5,569,368	A *	10/1996	Larsky et al.	204/600
D440,010	S *	4/2001	Moura	D26/24
D442,331	S *	5/2001	Pannozzo et al.	D28/7
6,286,518	B1 *	9/2001	Laporte	132/116
6,378,529	B1 *	4/2002	Clemente Marco	132/111
6,497,719	B2 *	12/2002	Pearl et al.	607/89
D474,561	S *	5/2003	Glucksman et al.	D28/7
6,691,712	B2 *	2/2004	Chu et al.	132/112
D519,674	S *	4/2006	Chu et al.	D28/7
7,194,316	B2 *	3/2007	Bousfield et al.	607/150
7,331,964	B2 *	2/2008	Maricle et al.	606/88

FIG. 7 is a rear perspective view of the first embodiment of a design for a laser comb and of the second embodiment of a design for a laser comb;

FIG. 8 is a perspective view of the second embodiment of a design for a laser comb;

FIG. 9 is a bottom view of the second embodiment of a design for a laser comb;

FIG. 10 is a right side view of the second embodiment of a design for a laser comb; and,

FIG. 11 is a left side view of the second embodiment of a design for a laser comb.

The broken lines in the drawing are for illustrative purposes only and form no part of the claimed design.

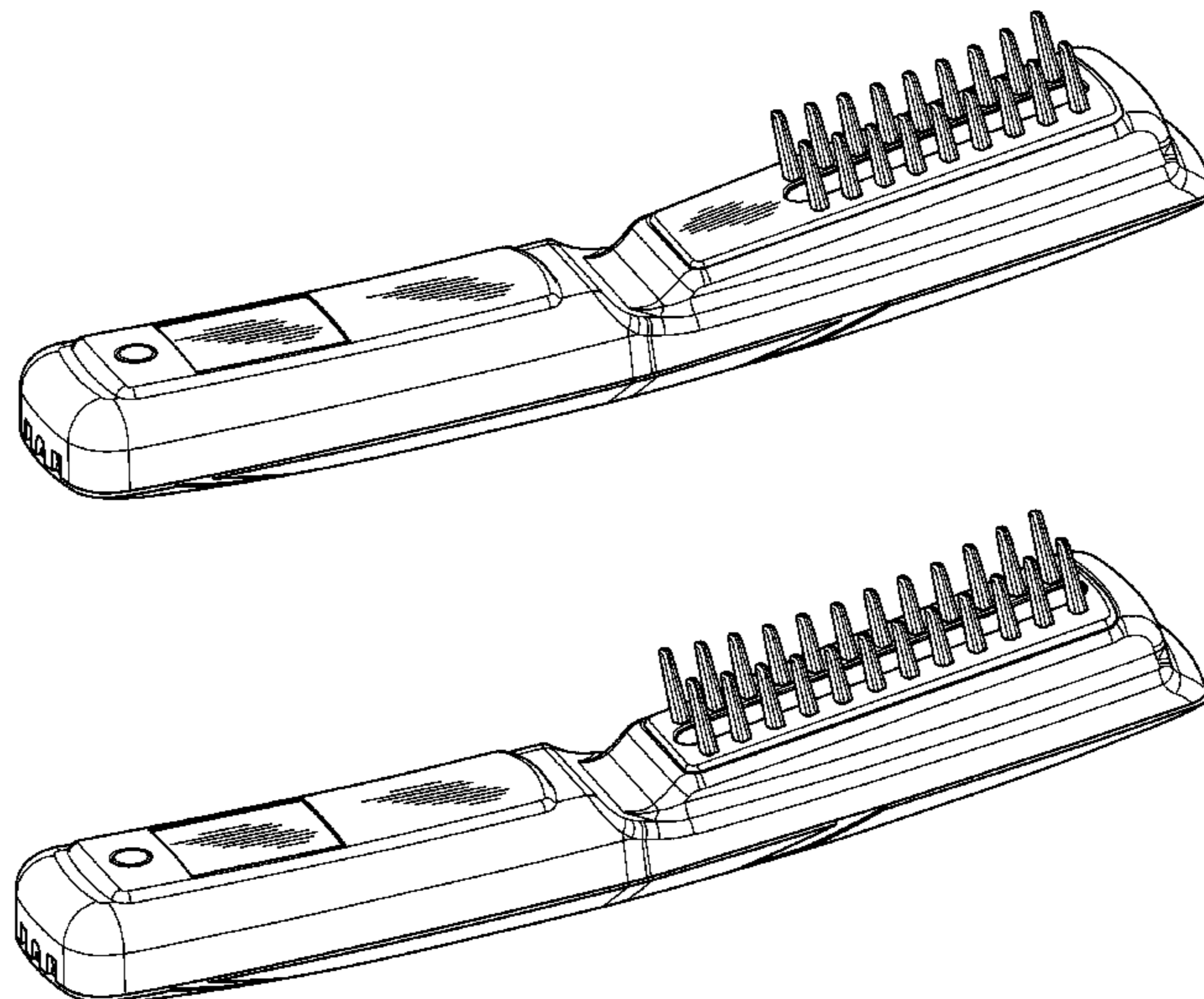
* cited by examiner

Primary Examiner—Janice E Seeger

Assistant Examiner—Zenia I Bennett

(74) *Attorney, Agent, or Firm*—Christopher & Weisberg, P.A.

1 Claim, 7 Drawing Sheets



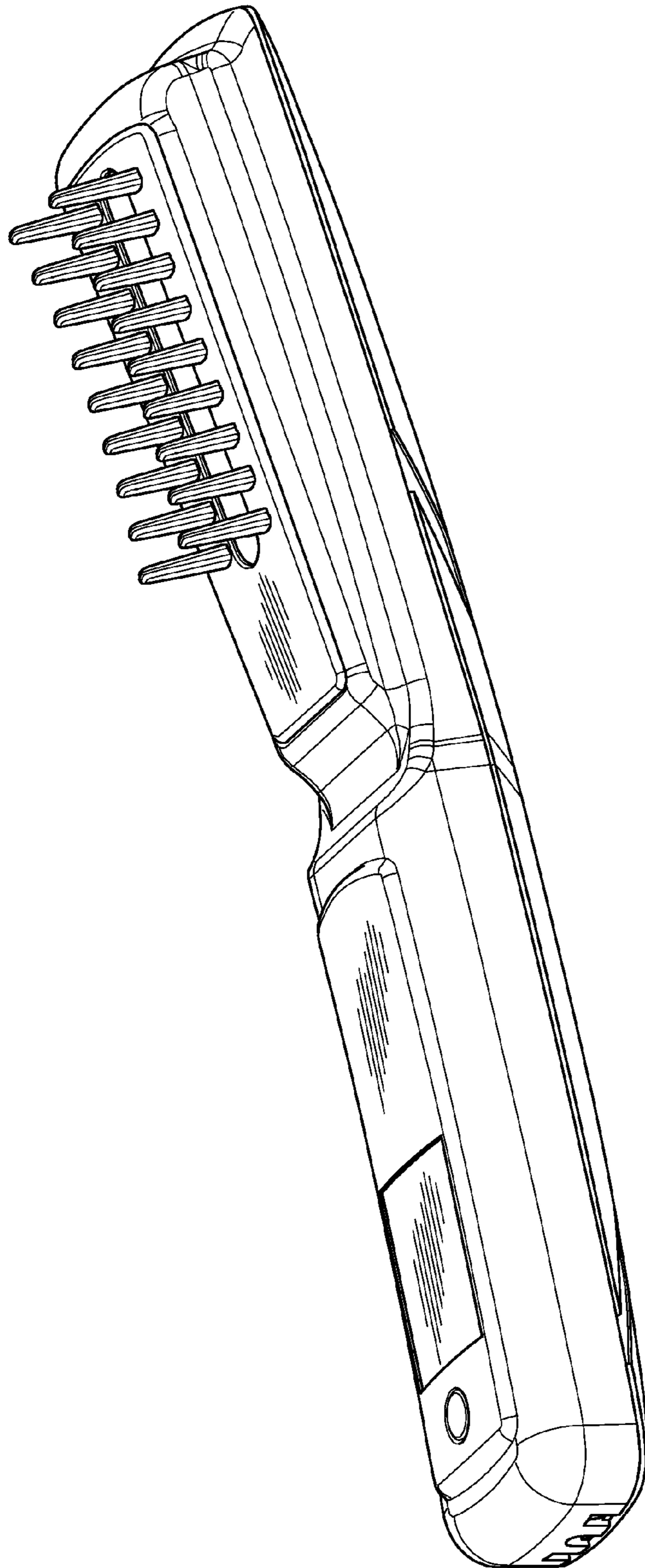


FIG. 1

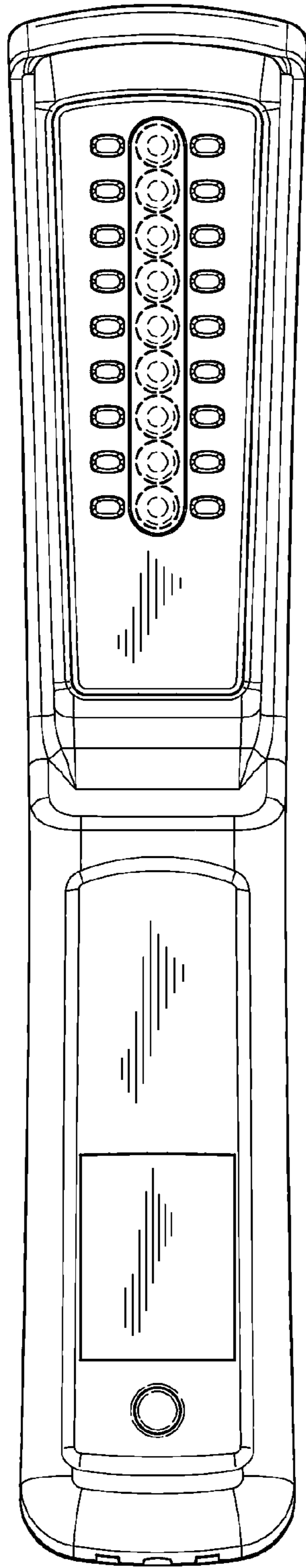


FIG. 2

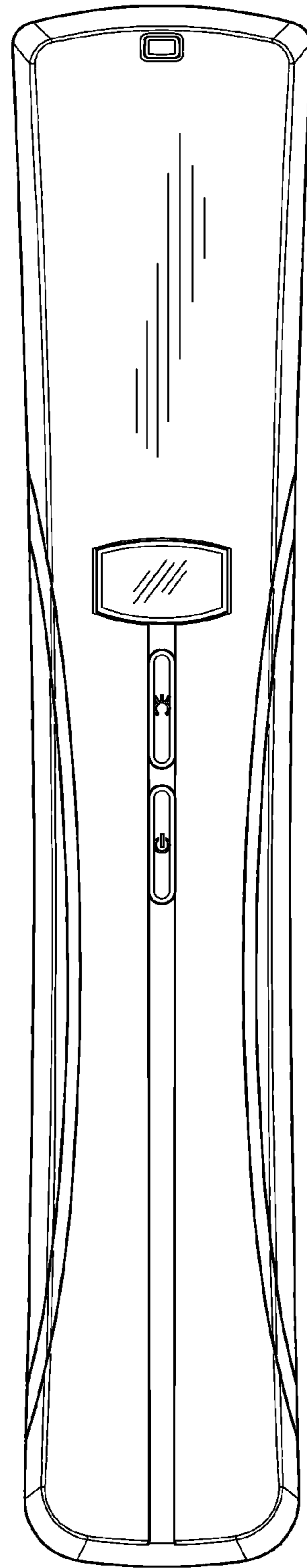


FIG. 3

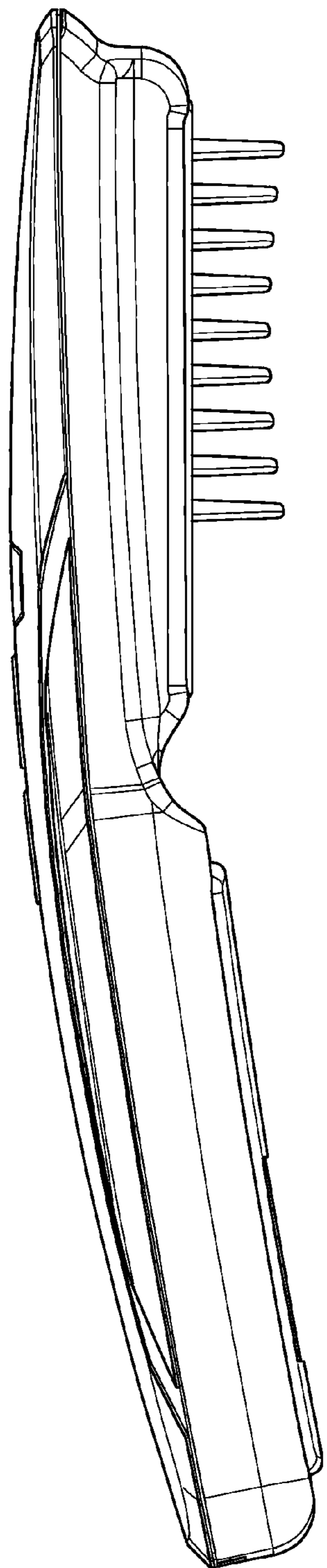


FIG. 4

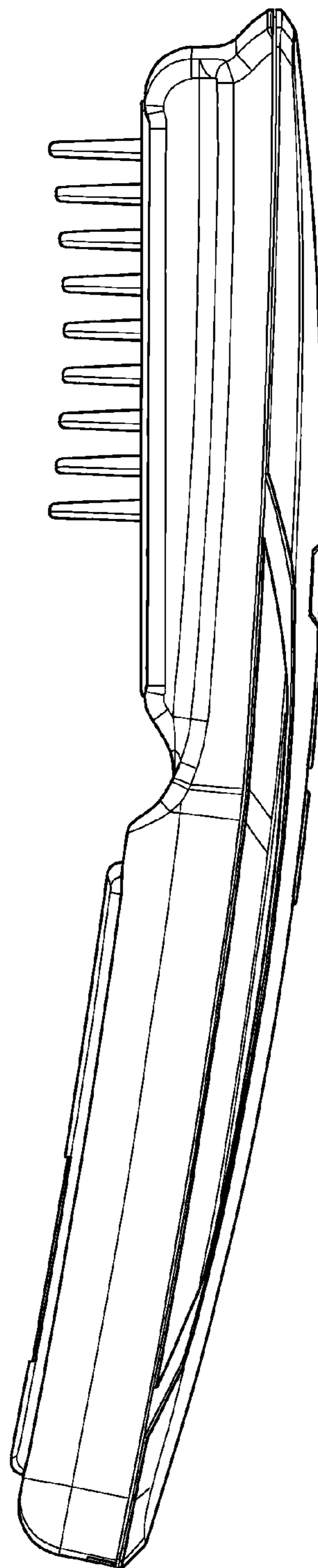


FIG. 5

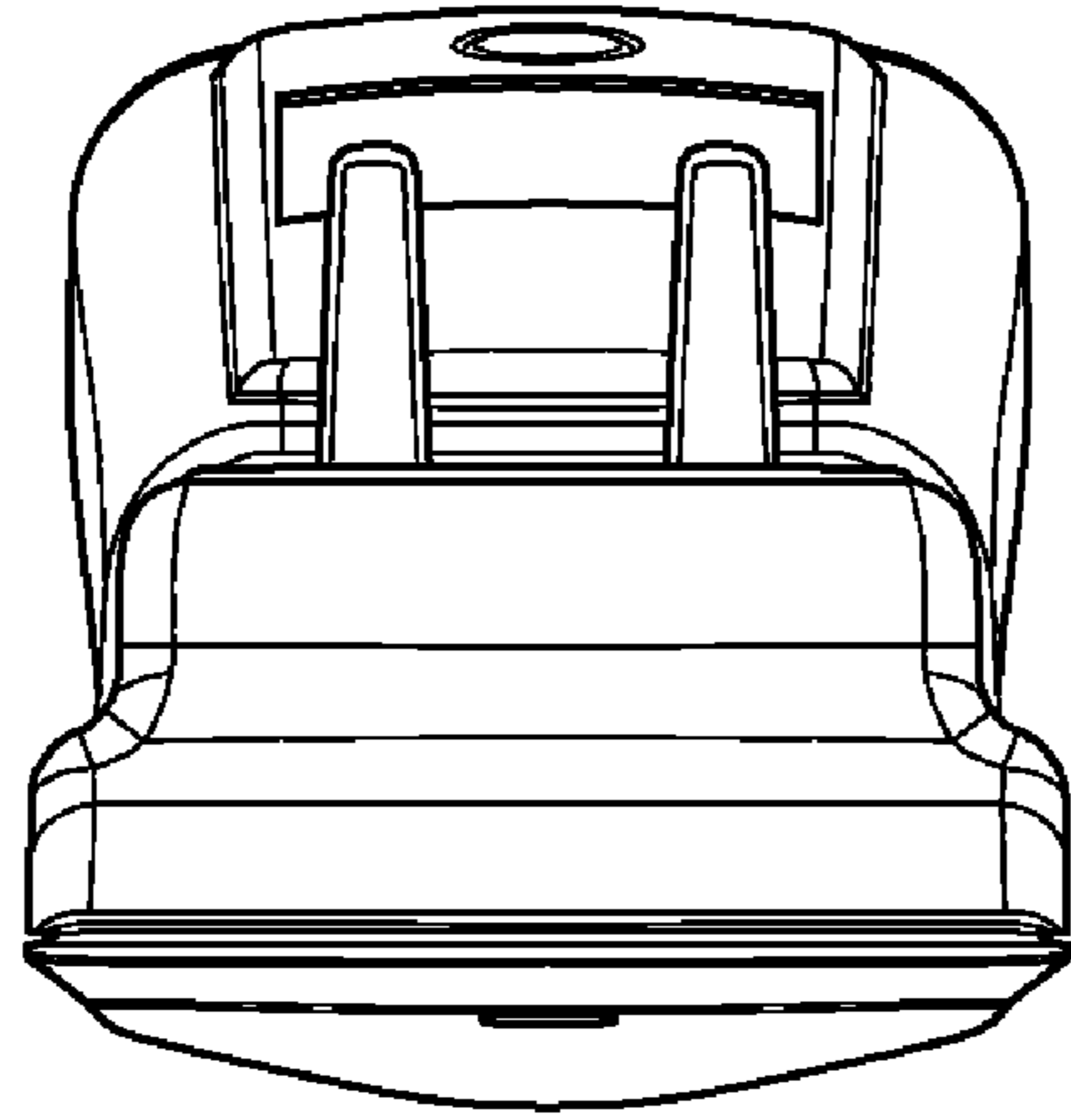


FIG. 6

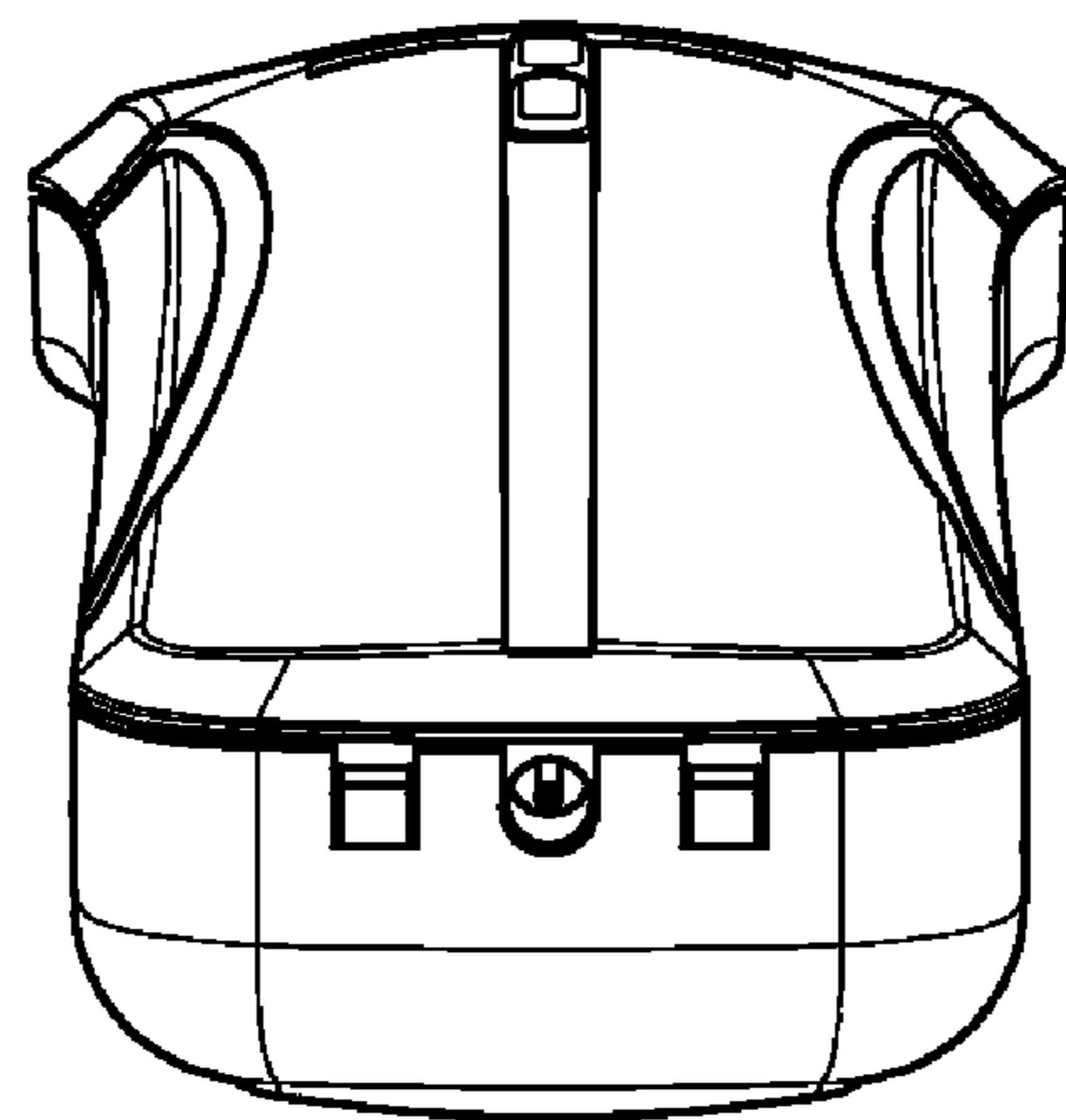


FIG. 7

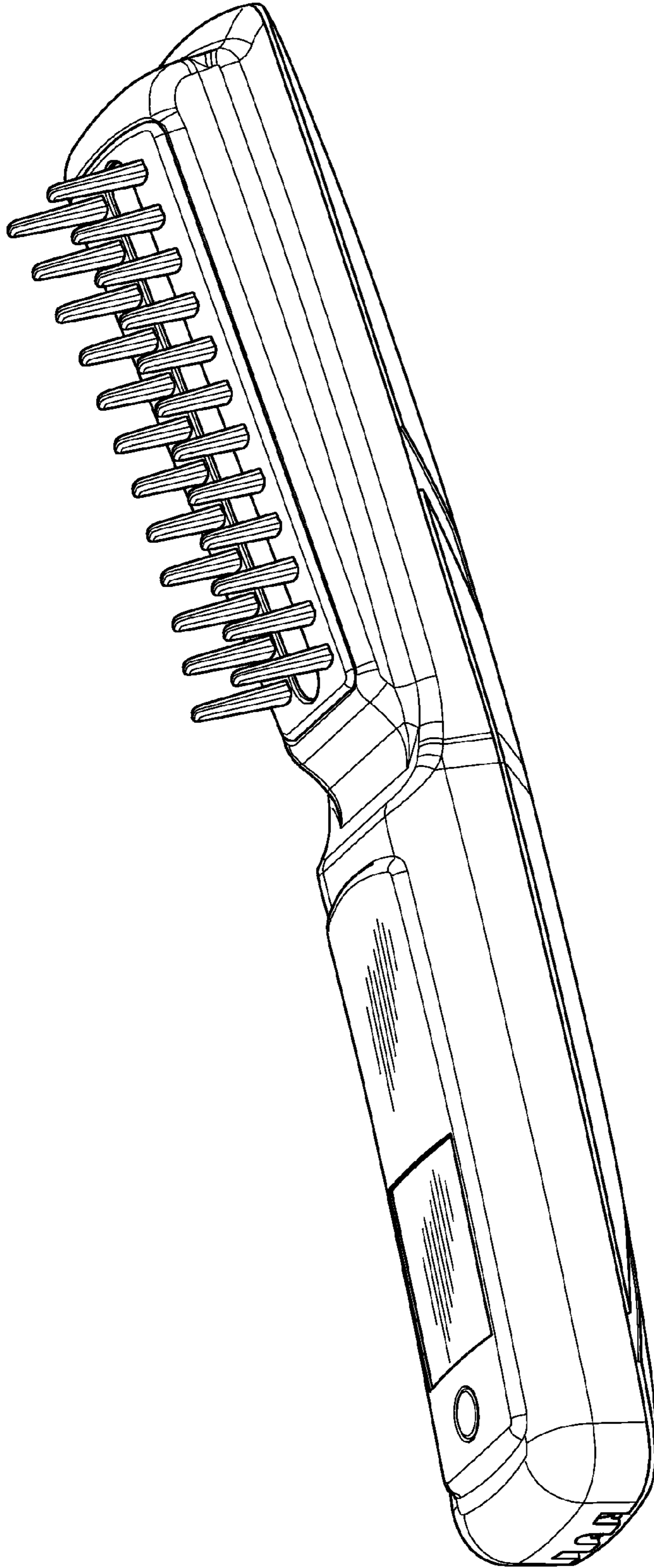


FIG. 8

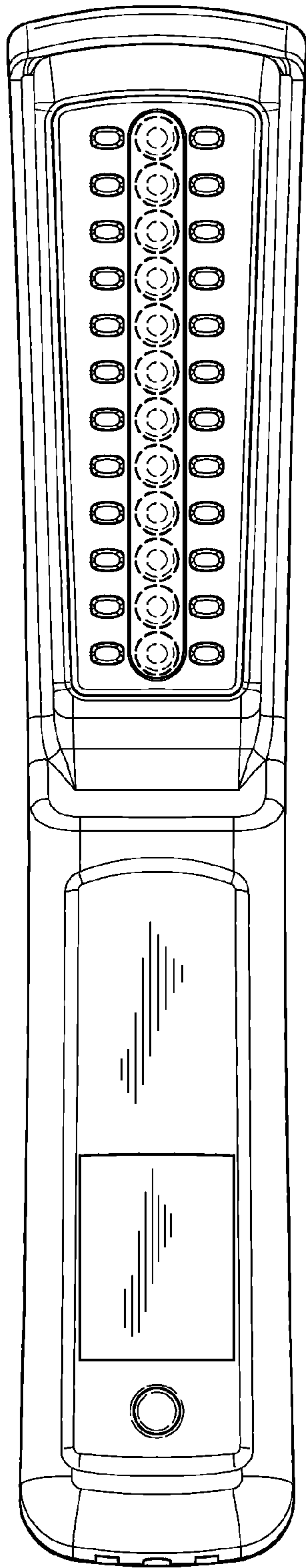


FIG. 9

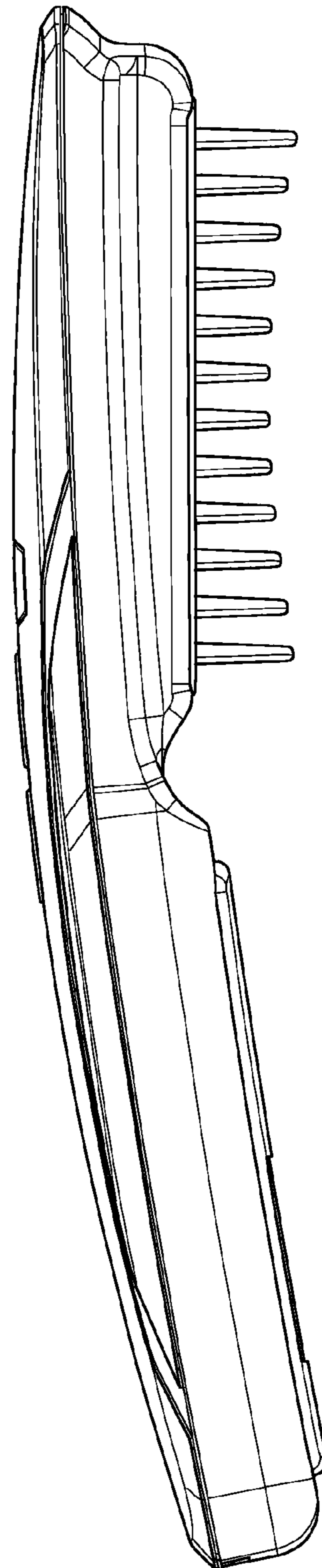


FIG. 10

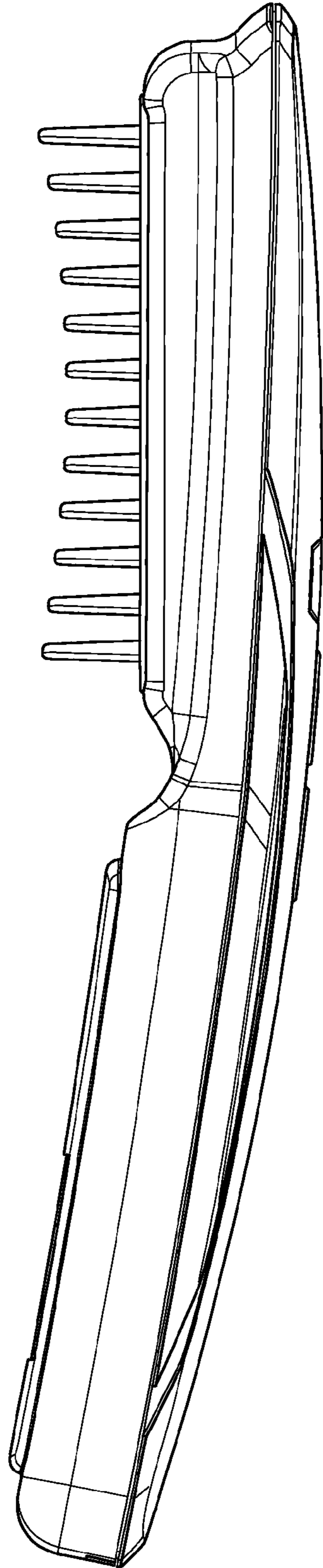


FIG. 11