



US00D599951S

(12) **United States Design Patent**
Pickard et al.

(10) **Patent No.:** **US D599,951 S**

(45) **Date of Patent:** **** Sep. 8, 2009**

(54) **LIGHTING DEVICE**

(75) Inventors: **Paul Kenneth Pickard**, Morrisville, NC (US); **James Michael Lay**, Morrisville, NC (US)

(73) Assignee: **Cree LED Lighting Solutions, Inc.**, Durham, NC (US)

(**) Term: **14 Years**

(21) Appl. No.: **29/279,591**

(22) Filed: **May 3, 2007**

(51) **LOC (9) Cl.** **26-99**

(52) **U.S. Cl.** **D26/138**

(58) **Field of Classification Search** D26/113,
D26/118, 122, 152, 72, 74, 155, 60, 75, 77,
D26/85, 119, 127, 128, 61, 63, 64, 65, 76,
D26/78, 80, 81, 82, 83, 120, 123, 124, 135,
D26/138, 142, 149, 151; 362/563, 147, 151,
362/218, 246, 260, 277, 285, 330, 364, 365,
362/404

See application file for complete search history.

(56) **References Cited**

U.S. PATENT DOCUMENTS

382,210 A	5/1888	Black
D50,559 S	4/1917	Martin
1,674,165 A	6/1928	Dorey
D79,309 S	8/1929	Sanford
2,010,322 A	8/1935	Riddell
D107,878 S	1/1938	Levy
D115,970 S	8/1939	Stewart
D160,640 S	10/1950	Magroch
2,835,791 A	5/1958	Horwitz
2,878,425 A	3/1959	Kudoh
3,040,172 A	6/1962	Kingsley
D196,618 S	10/1963	Hammes
D197,985 S	4/1964	Dawson
3,330,951 A	7/1967	Neal
3,401,258 A	9/1968	Guth
3,518,420 A	6/1970	Kripp
3,662,165 A	5/1972	Osteen et al.

3,697,742 A	10/1972	Bobrick
3,705,302 A	12/1972	Judge et al.
3,950,638 A	4/1976	Kent et al.
D247,562 S	3/1978	Walker et al.
4,142,227 A	2/1979	Aikens
4,173,037 A	10/1979	Henderson et al.
4,241,393 A	12/1980	Olson
D259,518 S	6/1981	Garcia et al.
D264,007 S	4/1982	Heritage
4,336,575 A	6/1982	Gilman
4,388,677 A	6/1983	Druffel
4,404,620 A	9/1983	Takahashi et al.
4,453,203 A	6/1984	Pate

(Continued)

OTHER PUBLICATIONS

U.S. Appl. No. 29/267,856, filed Oct. 23, 2006, Chan et al.

(Continued)

Primary Examiner—Cathron C Brooks
Assistant Examiner—Kevin K Rudzinski
(74) *Attorney, Agent, or Firm*—Burr & Brown

(57)

CLAIM

The ornamental design for a lighting device, as shown and described.

DESCRIPTION

FIG. 1 is a perspective view of the lighting device in accordance with our new design;

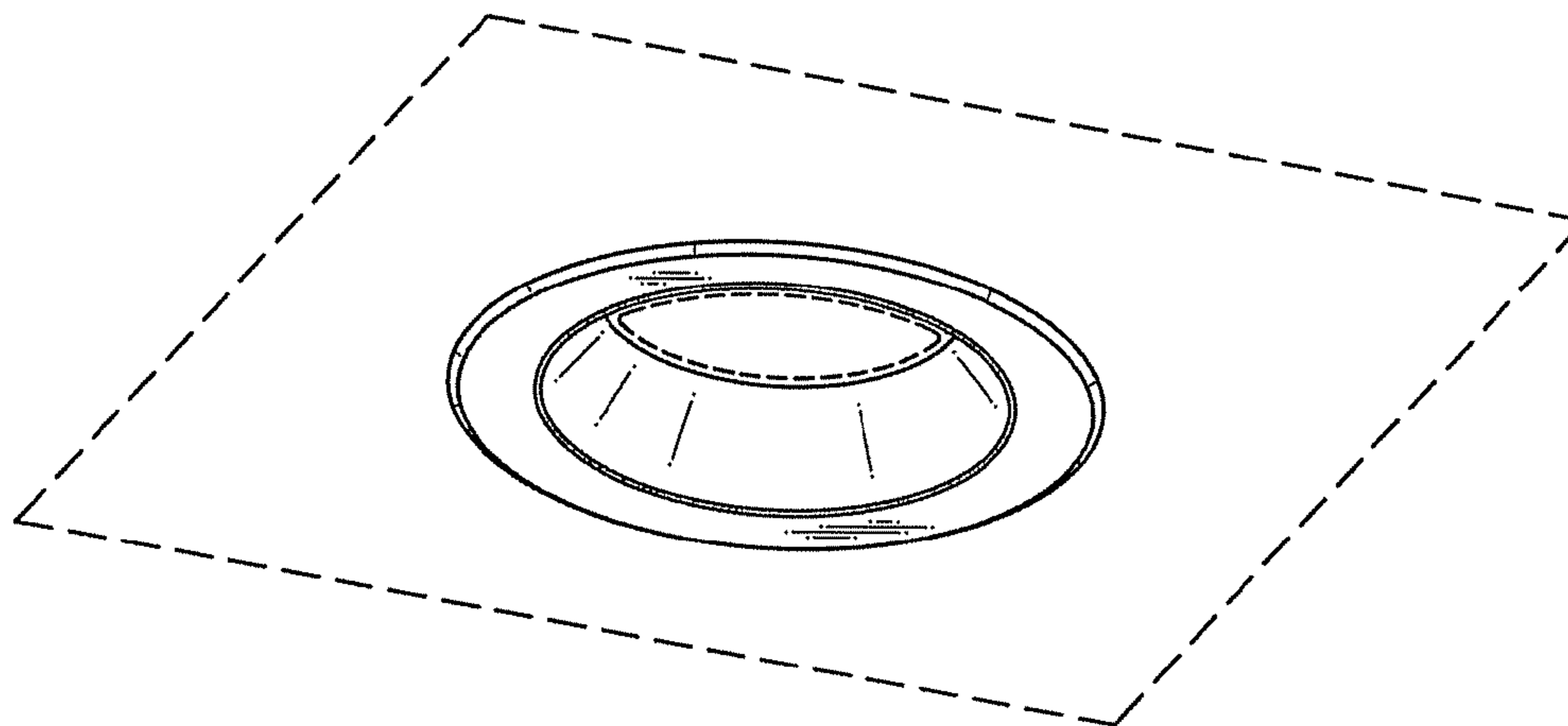
FIG. 2 is a front side view thereof, the right side, left side and rear side views being identical to the front side view; and,

FIG. 3 is a bottom view thereof.

The broken line forming a square around the claimed design is included for the purpose of illustrating environmental structure and forms no part of the claimed design.

The broken line forming a circular region within the claimed design defines the bounds of the claimed design and forms no part thereof.

1 Claim, 1 Drawing Sheet



US D599,951 S

U.S. PATENT DOCUMENTS

4,703,406	A	10/1987	Elliott et al.	
4,729,080	A	3/1988	Fremont et al.	
4,761,721	A	8/1988	Willing	
4,803,603	A	2/1989	Carson	
D302,860	S	8/1989	Anema	
4,972,339	A	11/1990	Gabrius	
5,014,175	A	5/1991	Osteen et al.	
D326,163	S	5/1992	Sonneman	
D326,537	S	5/1992	Gattari	
5,183,330	A	2/1993	Rishel et al.	
D340,514	S	10/1993	Liao	
5,287,259	A	2/1994	Lautzenheiser	
D347,292	S	5/1994	Roos et al.	
5,345,371	A	9/1994	Cunningham et al.	
D352,797	S	11/1994	Mehaffey	
D353,910	S	12/1994	Hayman et al.	
5,373,431	A	12/1994	Hayman et al.	
5,440,471	A	8/1995	Zadeh	
5,465,199	A	11/1995	Bray et al.	
D370,550	S	6/1996	Lecluze	
D376,667	S	12/1996	Lucluze	
D381,454	S	7/1997	Lecluze	
D383,565	S	9/1997	Demshki et al.	
D386,277	S	11/1997	Lecluze	
D387,466	S	12/1997	Lecluze	
D388,526	S	12/1997	Bray	
D397,490	S	8/1998	Lecluze	
5,800,050	A	9/1998	Leadford	
5,823,664	A	10/1998	Demshki et al.	
D404,122	S	1/1999	Hayashi et al.	
5,857,766	A	1/1999	Sieczkowski	
D410,295	S	5/1999	Lueken et al.	
5,957,574	A	9/1999	Hentz et al.	
6,004,011	A	12/1999	Sieczkowski	
D427,368	S *	6/2000	Kelmelis et al. D26/152	
6,089,732	A	7/2000	Wright et al.	
6,095,669	A	8/2000	Cho	
6,123,438	A	9/2000	Hentz	
6,176,597	B1	1/2001	Smith	
6,179,446	B1	1/2001	Sarmadi	
D437,654	S	2/2001	Chen	
6,217,189	B1	4/2001	Nassim	
6,283,430	B1	9/2001	Schubert et al.	
6,375,338	B1	4/2002	Cummings et al.	
D465,061	S *	10/2002	Guthrie D26/138	
6,474,846	B1	11/2002	Kelmelis et al.	
6,505,960	B2	1/2003	Schubert et al.	
D469,916	S	2/2003	Caferro et al.	
D471,314	S	3/2003	Guthrie	
D473,965	S	4/2003	Lecluze	
D474,298	S	5/2003	Lecluze	
D474,300	S	5/2003	Lecluze	
D476,108	S	6/2003	Lecluze	
6,588,922	B1	7/2003	DeCicco	

6,632,006	B1	10/2003	Rippel et al.	
6,655,813	B1	12/2003	Ng	
D485,006	S	1/2004	Huang	
D488,252	S	4/2004	Benghozi	
D488,583	S	4/2004	Benghozi	
D488,880	S	4/2004	Rahn	
D490,930	S	6/2004	Snead	
6,755,559	B2	6/2004	Wang et al.	
6,921,186	B1	7/2005	Viskovich	
D516,235	S	2/2006	Rashidi	
D527,119	S	8/2006	Maxik et al.	
D528,673	S	9/2006	Maxik et al.	
7,121,696	B2 *	10/2006	Whitfield, Sr. 362/365	
D538,951	S	3/2007	Maxik et al.	
D538,952	S	3/2007	Maxik et al.	
D544,128	S	6/2007	Carro	
D545,457	S	6/2007	Chen	
D548,391	S	8/2007	Lecluze	
2003/0142499	A1	7/2003	Chiu	
2003/0185012	A1	10/2003	Sitzema et al.	

OTHER PUBLICATIONS

U.S. Appl. No. 29/267,857, filed Oct. 23, 2006, Chan et al.
 U.S. Appl. No. 29/267,911, filed Oct. 23, 2006, Chan et al.
 U.S. Appl. No. 29/267,853, filed Oct. 23, 2006, Chan et al.
 U.S. Appl. No. 29/267,854, filed Oct. 23, 2006, Chan et al.
 U.S. Appl. No. 29/267,860, filed Oct. 23, 2006, Chan et al.
 U.S. Appl. No. 29/267,855, filed Oct. 23, 2006, Chan et al.
 U.S. Appl. No. 29/267,852, filed Oct. 23, 2006, Chan et al.
 U.S. Appl. No. 29/279,351, filed Apr. 27, 2007, Chan et al.
 U.S. Appl. No. 29/279,352, filed Apr. 27, 2006, Chan et al.
 U.S. Appl. No. 29/279,354, filed Apr. 27, 2007, Chan et al.
 U.S. Appl. No. 29/279,355, filed Apr. 27, 2007, Chan et al.
 U.S. Appl. No. 29/279,357, filed Apr. 27, 2007, Pickard et al.
 U.S. Appl. No. 29/279,589, filed May 3, 2007, Pickard et al.
 U.S. Appl. No. 29/284,294, filed Sep. 5, 2007, Pickard et al.
 DOE SSL Commercial Product Testing Program Report, DOE SSL CPTP Report Product Test Reference # CPTP 07-09 Replacement Lamp, (2007), pp. 1-23.
 DOE SSL Commercial Product Testing Program Report, DOE SSL CPTP Report Product Test Reference # CPTP 07-04 Downlight, (2007), pp. 1-13.
 DOE SSL Commercial Product Testing Program Report, DOE SSL CPTP Report Product Test Reference # CPTP 07-05 Downlight, (2007), p. 1-13.
 DOE SSL Commercial Product Testing Program Report, DOE SSL CPTP Report Product Test Reference # CPTP 07-06 Replacement Lamp, (2007), pp. 1-22.
 DOE SSL Commercial Product Testing Program Report, DOE SSL CPTP Report Product Test Reference # CPTP 07-08 Replacement Lamp, (2007), pp. 1-22.
 Evo Lighting —Solid State LED Lighting, http://www.renaissance-lighting.com/index_PA.php?t=line&Type=1, evo is a product of RL Light, 2007, pp. 1-15.

* cited by examiner

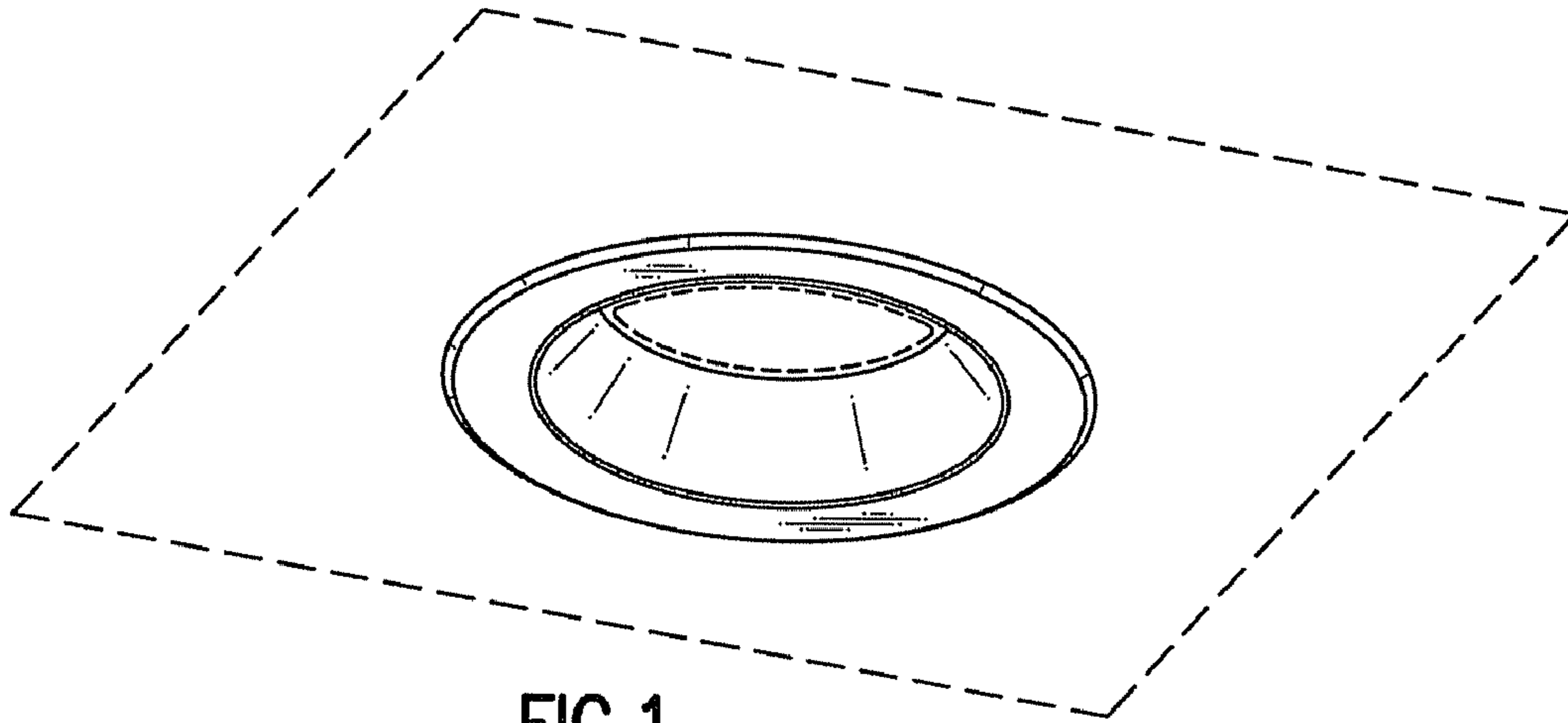


FIG. 1

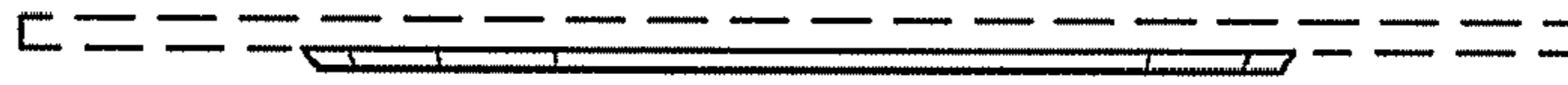


FIG. 2

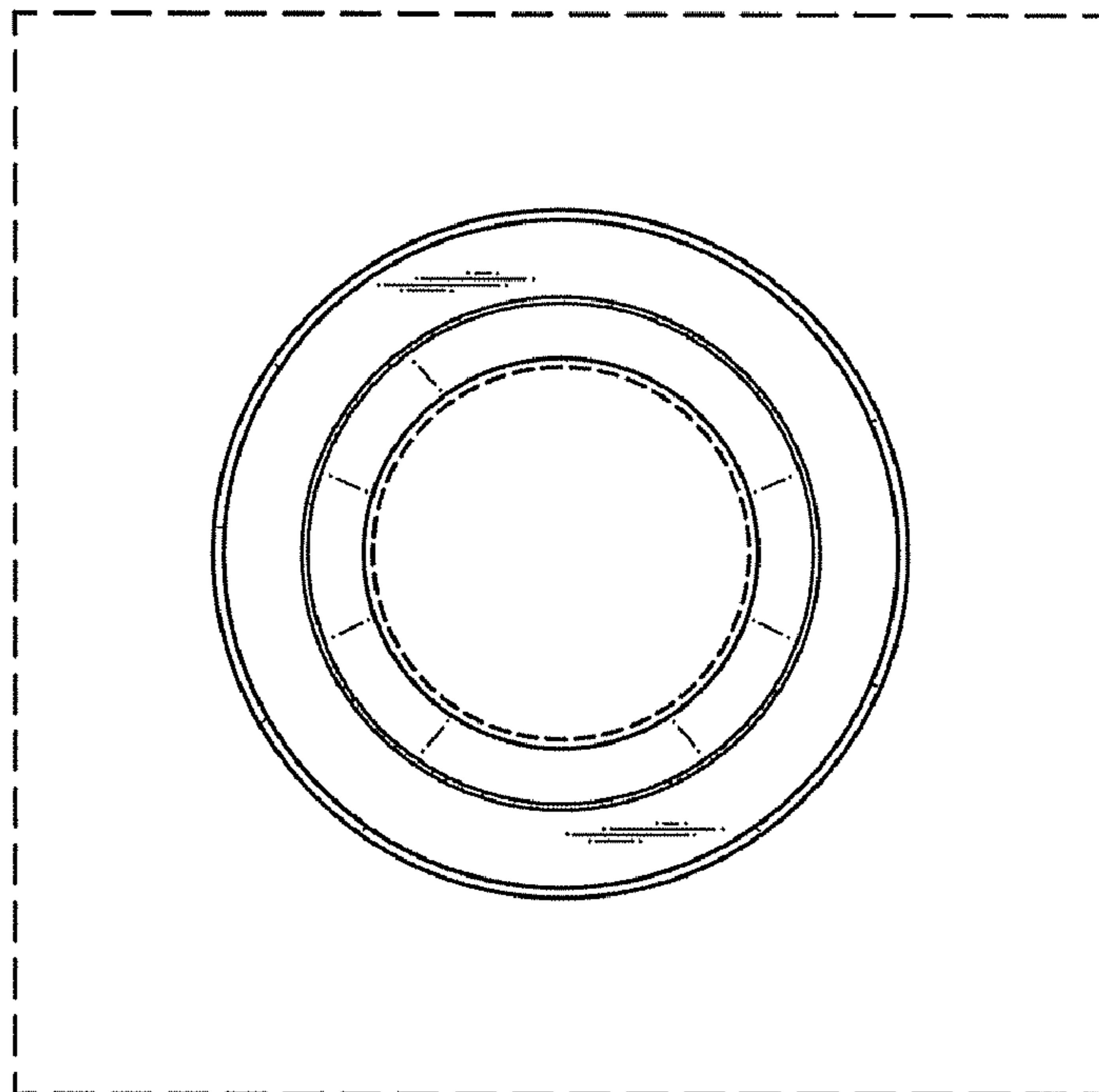


FIG. 3

UNITED STATES PATENT AND TRADEMARK OFFICE
CERTIFICATE OF CORRECTION

PATENT NO. : Des. 599,951 S
APPLICATION NO. : 29/279591
DATED : September 8, 2009
INVENTOR(S) : Paul Kenneth Pickard and James Michael Lay

Page 1 of 1

It is certified that error appears in the above-identified patent and that said Letters Patent is hereby corrected as shown below:

On the Title Page, Item (56) References Cited:

U.S. Patent Documents- please change "D376,667 S 12/1996 Lucluze" to --D376,667 S 12/1996 Lecluze--

Item (56):

Other Publications- please change "U.S. Appl. No. 29/279,352, filed Apr. 27, 2006, Chan et al." to --U.S. Appl. No. 29/279,352, filed Apr. 27, 2007, Chan et al.--

Signed and Sealed this

Twenty-fourth Day of November, 2009



David J. Kappos
Director of the United States Patent and Trademark Office