



US00D599948S

(12) **United States Design Patent**
Armbrüster

(10) **Patent No.:** **US D599,948 S**

(45) **Date of Patent:** **** Sep. 8, 2009**

(54) **OLED LUMINAIRE**

(75) Inventor: **Till Armbrüster**, Köln (DE)

(73) Assignee: **Koninklijke Philips Electronics N.V.**,
Eindhoven (NL)

(**) Term: **14 Years**

(21) Appl. No.: **29/327,767**

(22) Filed: **Nov. 13, 2008**

(30) **Foreign Application Priority Data**

May 13, 2008 (EM) 000932330-0001

(51) **LOC (9) Cl.** **26-03**

(52) **U.S. Cl.** **D26/91; D26/90**

(58) **Field of Classification Search** D26/75,
D26/76, 79, 81, 83, 84, 85, 86, 88-91, 118,
D26/138, 141; 362/147, 404-408
See application file for complete search history.

(56) **References Cited**

U.S. PATENT DOCUMENTS

2,022,078 A * 11/1935 Dorey 362/339
D129,836 S * 10/1941 Koegel D26/76
D203,405 S * 1/1966 Crawford D26/90
4,425,603 A * 1/1984 Courson 362/222
D293,723 S * 1/1988 Buttner D26/129

D294,067 S * 2/1988 Ambasz D26/76
D299,762 S * 2/1989 King et al. D26/87
D321,409 S * 11/1991 Bischof et al. D26/91
D468,474 S * 1/2003 Poulton D26/90
D514,731 S * 2/2006 Engel D26/88
D536,468 S * 2/2007 Crosby D26/84

OTHER PUBLICATIONS

Alpha-V 10-Light Pendant Model #E20285-20 from ET2 Contemporary Lighting. © 2009.*

Article by Hank Green of ecogeek.org titled "The World's First OLED Lamp" dated Apr. 7, 2008. (pp. 1 and 2 of 10).*

* cited by examiner

Primary Examiner—Clare E Heflin

(57) **CLAIM**

The ornamental design for a OLED luminaire, as shown.

DESCRIPTION

FIG. 1 is a perspective view showing my design;

FIG. 2 is a front elevational view thereof;

FIG. 3 is a rear elevational view thereof;

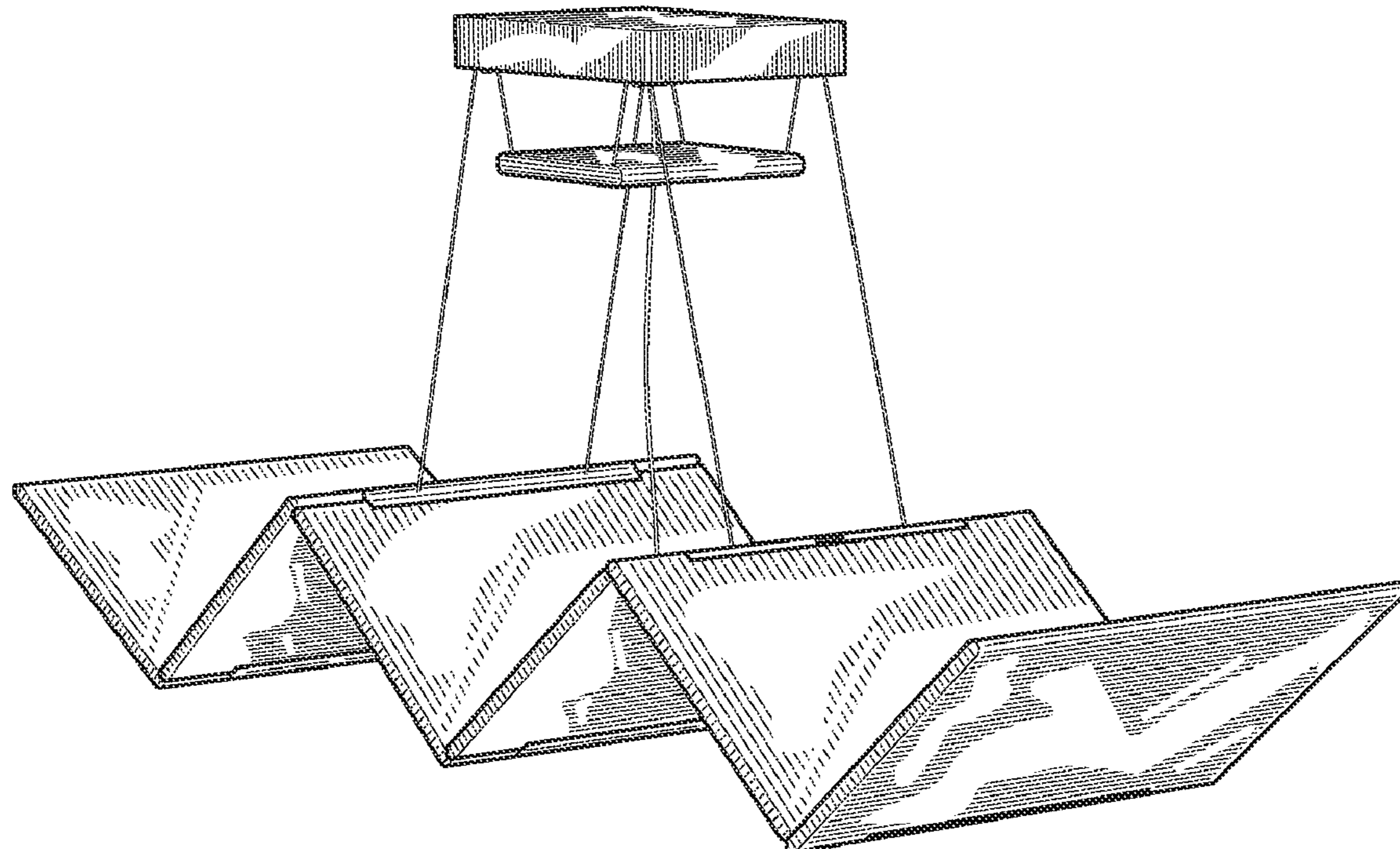
FIG. 4 is a right side elevational view thereof;

FIG. 5 is a left side elevational view thereof;

FIG. 6 is a top plan view thereof; and,

FIG. 7 is a bottom plan view thereof.

1 Claim, 4 Drawing Sheets



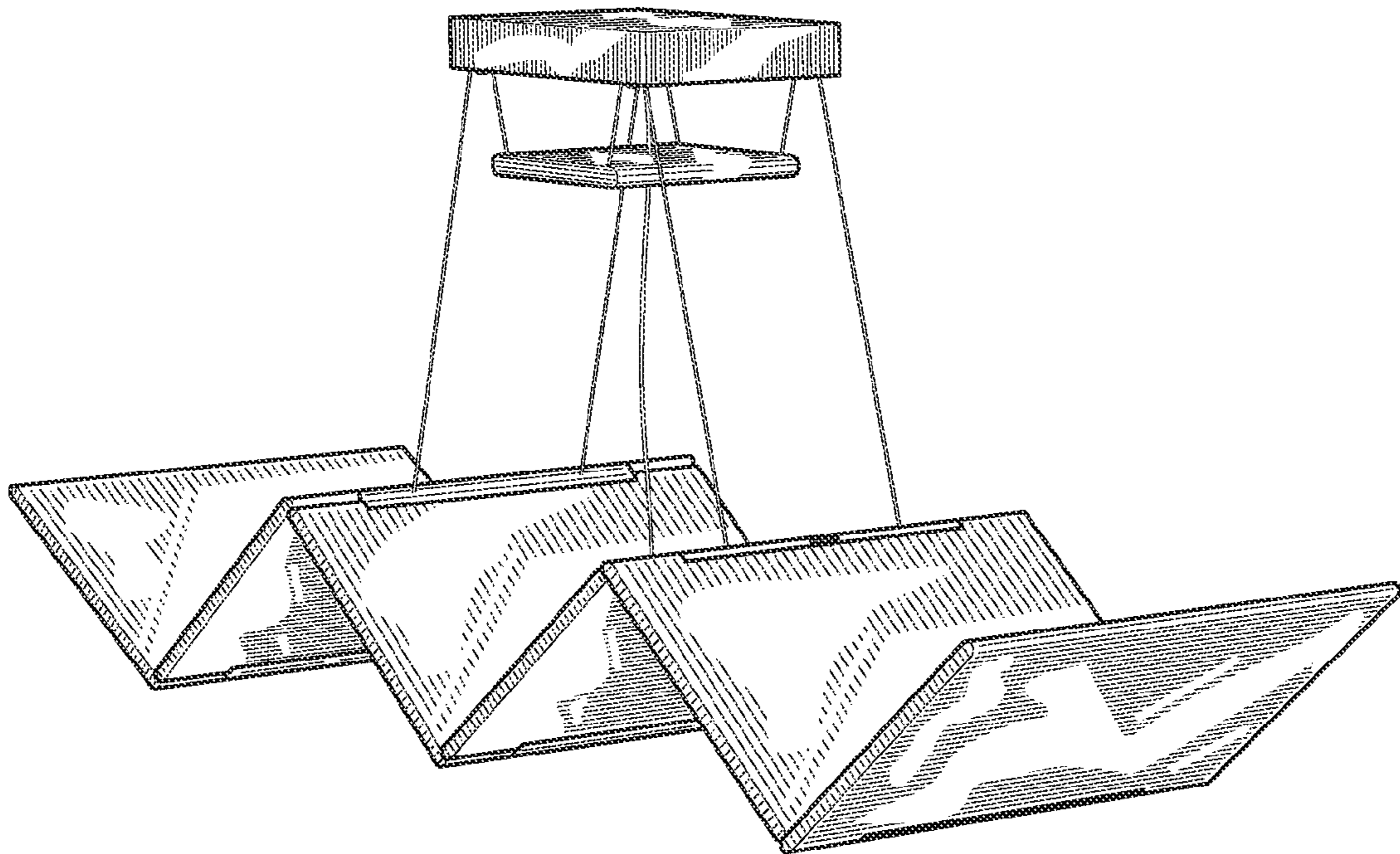


FIG. 1

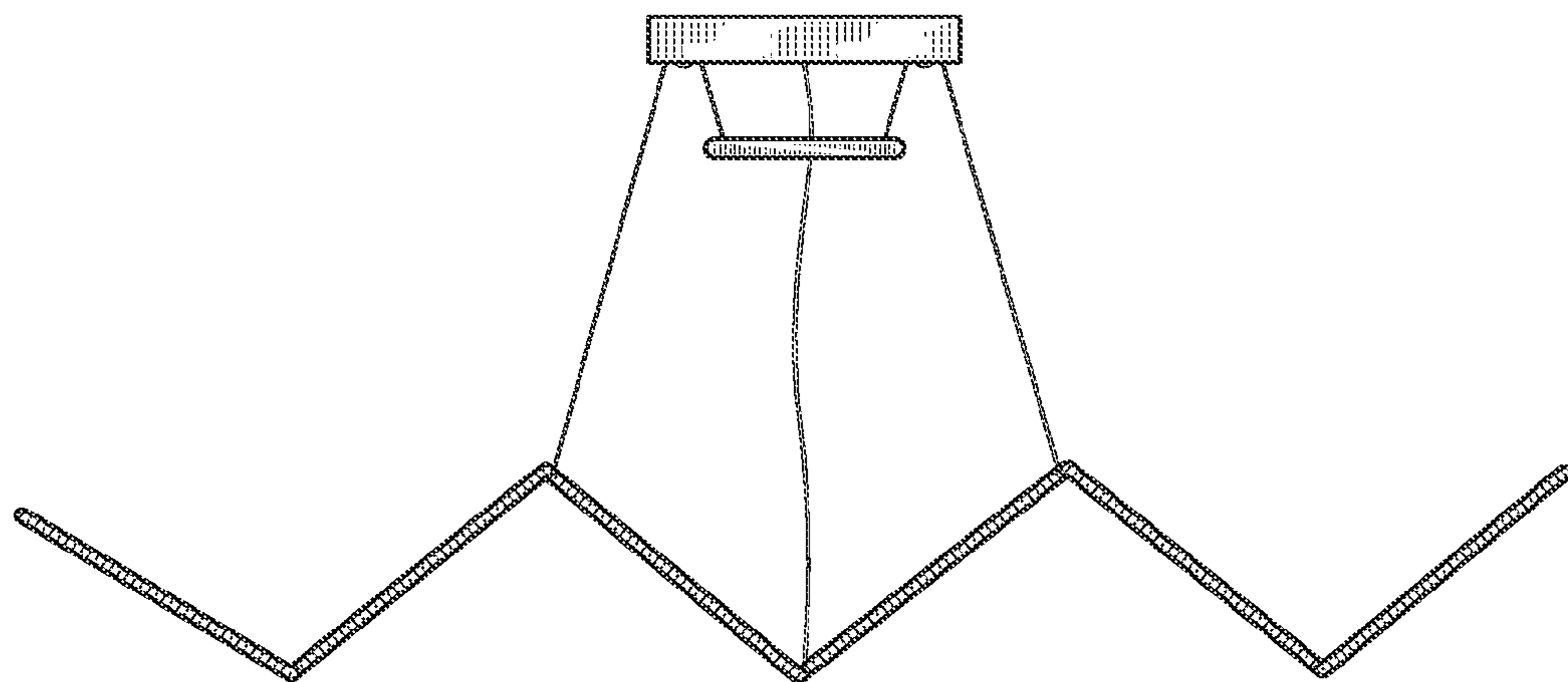


FIG. 2

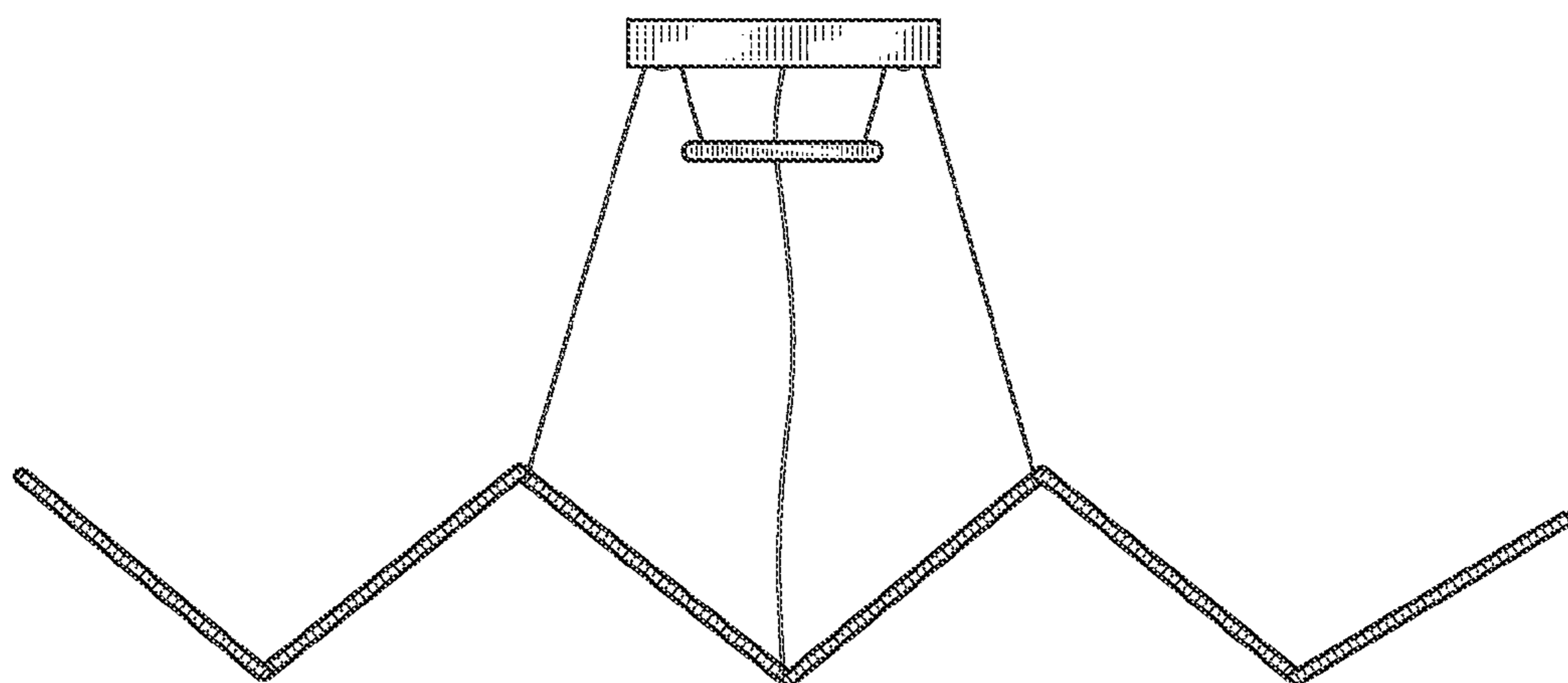


FIG. 3

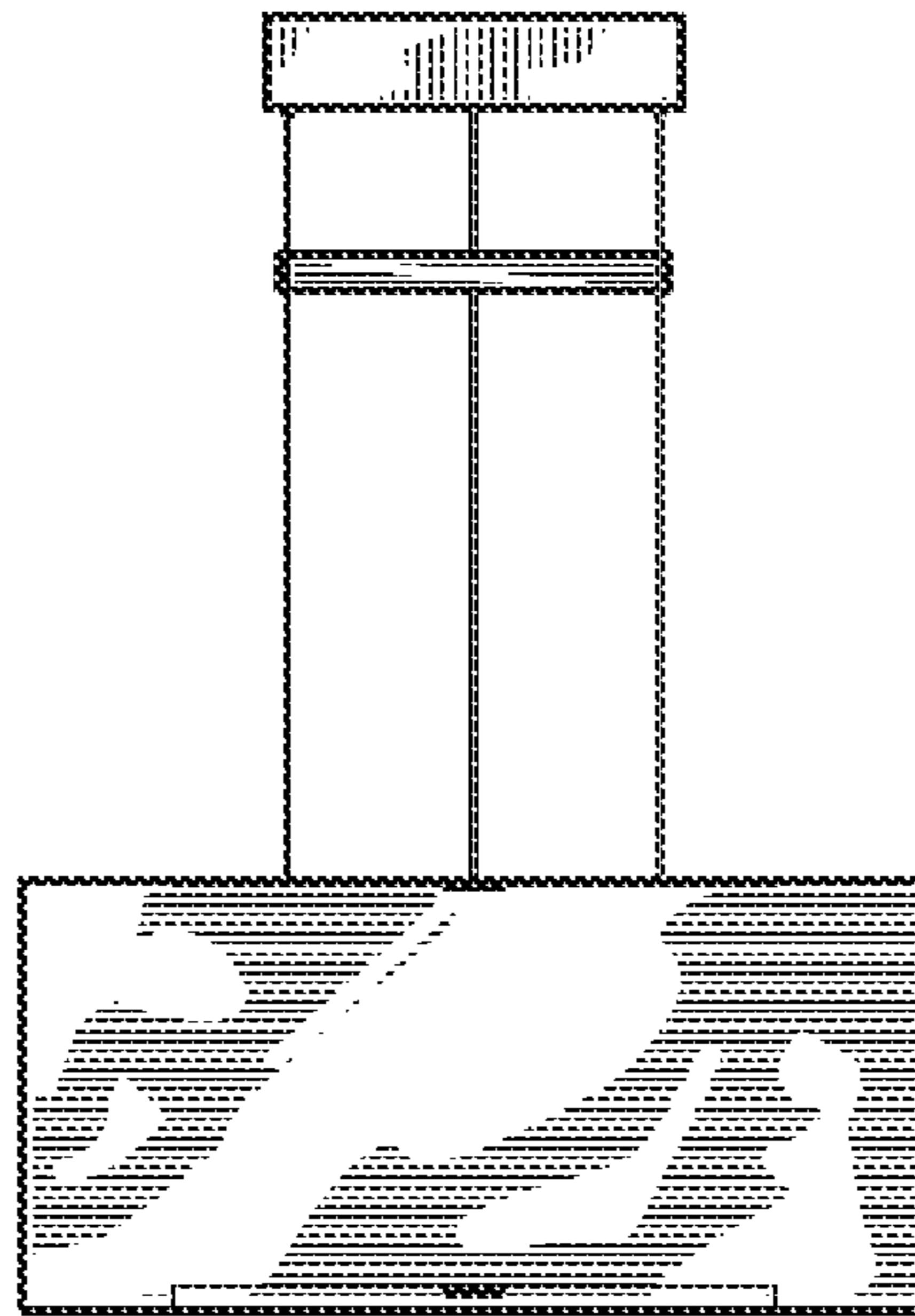


FIG. 4

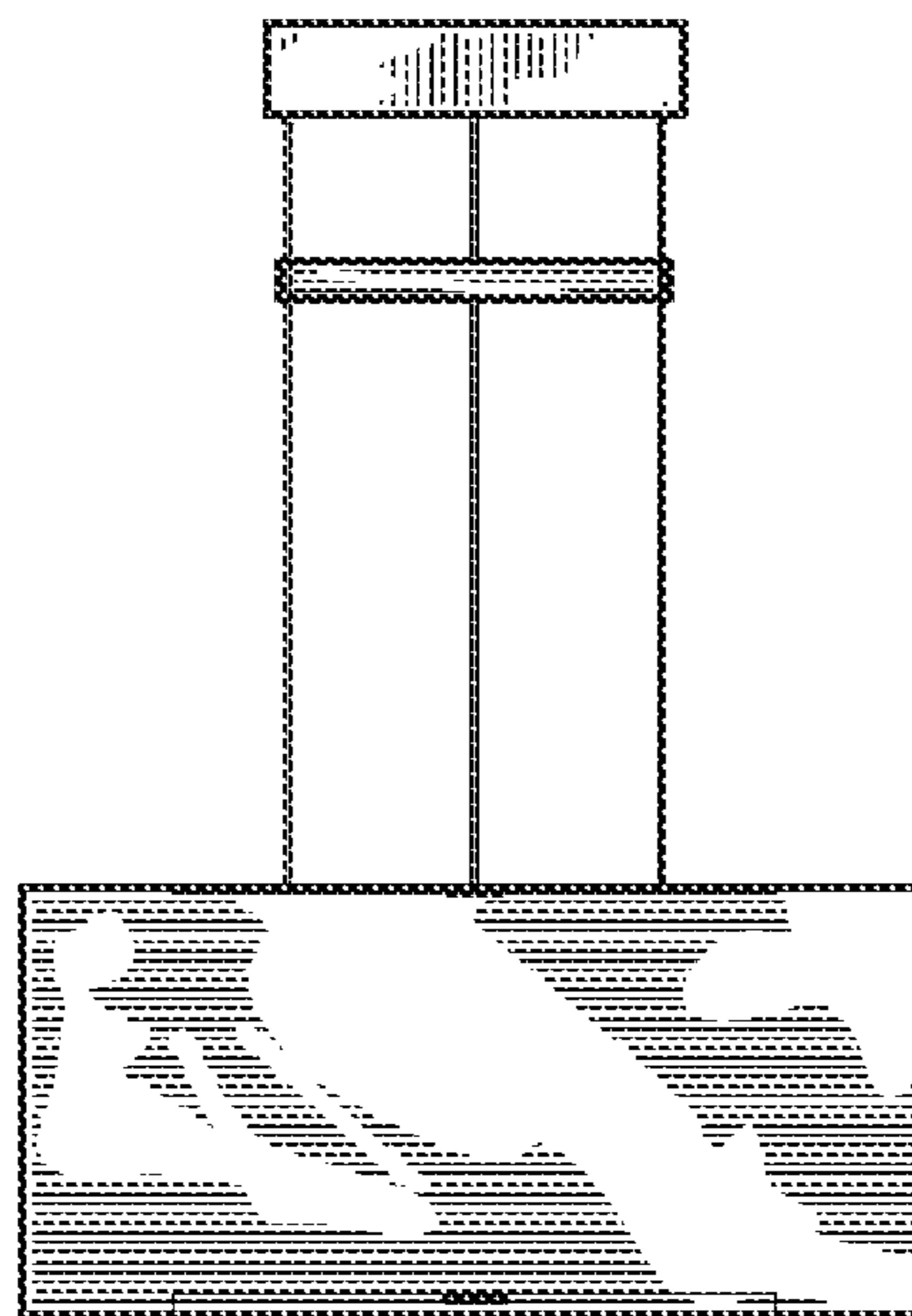


FIG. 5

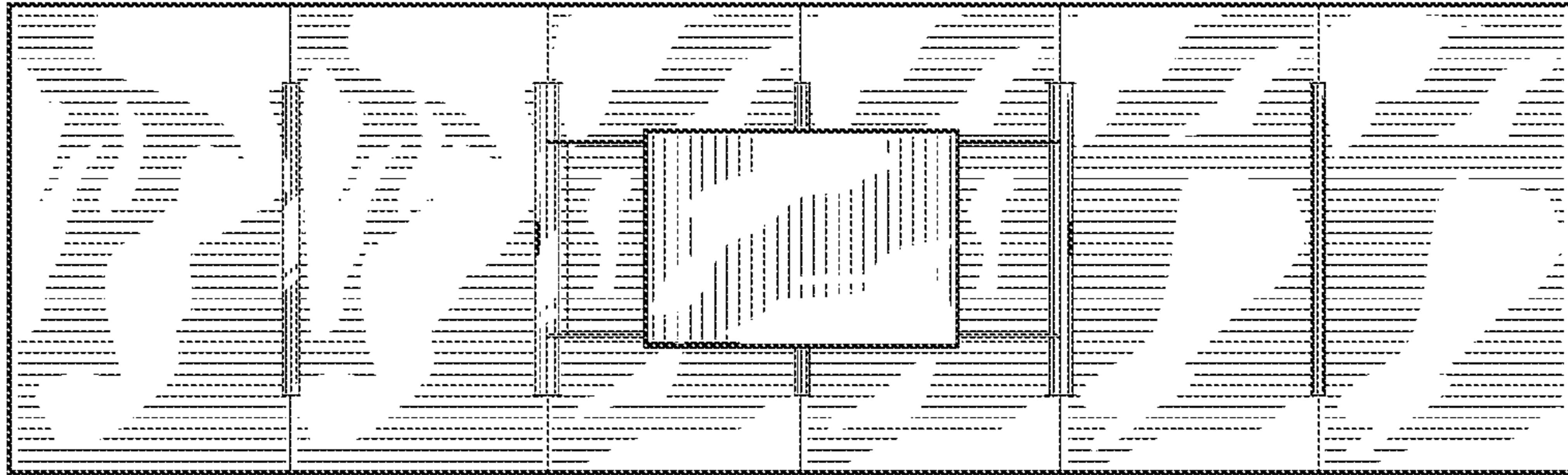


FIG. 6

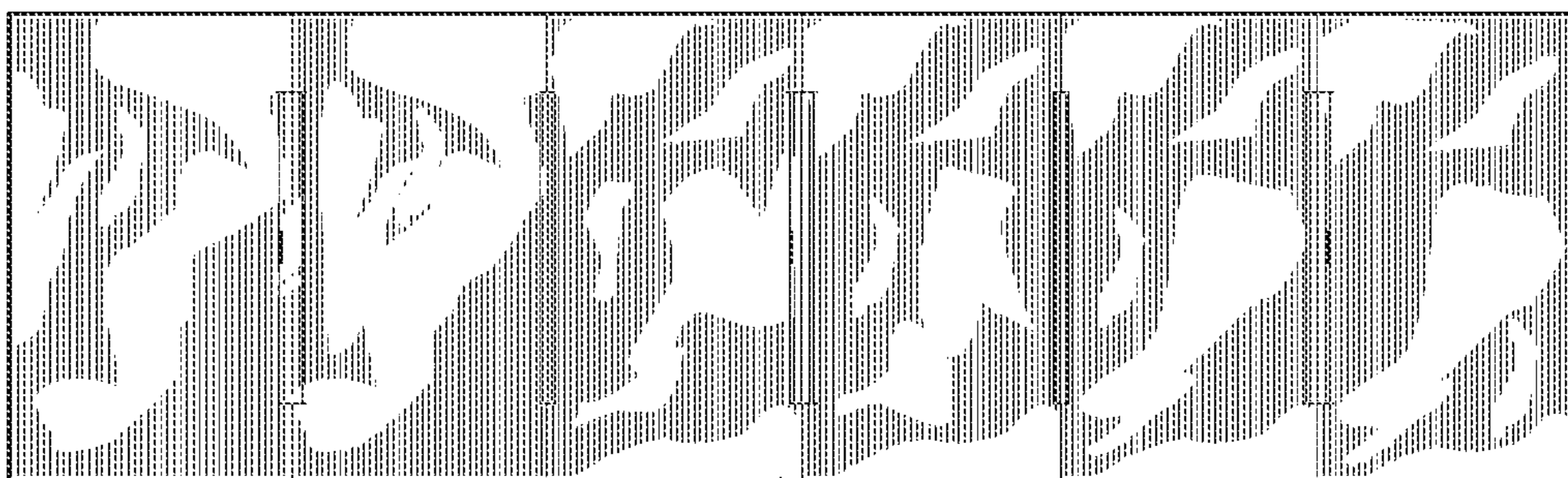


FIG. 7