



US00D599945S

(12) **United States Design Patent**
Pfund

(10) **Patent No.:** **US D599,945 S**

(45) **Date of Patent:** **** *Sep. 8, 2009**

(54) **WORKSTATION LUMINAIRE WITH
CONTINUOUS SIDE SLOT**

(75) Inventor: **David Pfund**, Woodbridge, CT (US)

(73) Assignee: **Sylvan R. Shemitz Designs, Inc.**, West
Haven, CT (US)

(*) Notice: This patent is subject to a terminal dis-
claimer.

(**) Term: **14 Years**

(21) Appl. No.: **29/242,093**

(22) Filed: **Nov. 4, 2005**

(51) **LOC (9) Cl.** **26-03**

(52) **U.S. Cl.** **D26/76**

(58) **Field of Classification Search** D26/72,
D26/74-79, 90, 95, 88, 98, 91, 104, 108,
D26/118, 120-122; 362/132, 145, 147-150,
362/157, 217-225, 228, 260, 262-264, 267,
362/310, 345, 364-368, 432, 440, 283, 363
See application file for complete search history.

(56) **References Cited**

U.S. PATENT DOCUMENTS

D128,478 S * 7/1941 Carter, Jr. D26/91
D191,628 S * 10/1961 Mullar D26/76
D318,534 S * 7/1991 Deursen et al. D26/76
D329,715 S * 9/1992 Dieperink D26/76

D383,560 S * 9/1997 Palmer D26/72
D404,159 S * 1/1999 Klaus D26/72
D406,916 S * 3/1999 Klaus D26/72
D452,579 S * 12/2001 Shemitz et al. D26/76
D459,012 S * 6/2002 Shemitz et al. D26/76
D459,517 S * 6/2002 Shemitz et al. D26/76
D481,483 S * 10/2003 Waugh et al. D26/76

* cited by examiner

Primary Examiner—Philip S Hyder

Assistant Examiner—Susan E Krakower

(74) *Attorney, Agent, or Firm*—Cantor Colburn LLP

(57) **CLAIM**

I claim, the ornamental design for a workstation luminaire with continuous side slot, as shown and described.

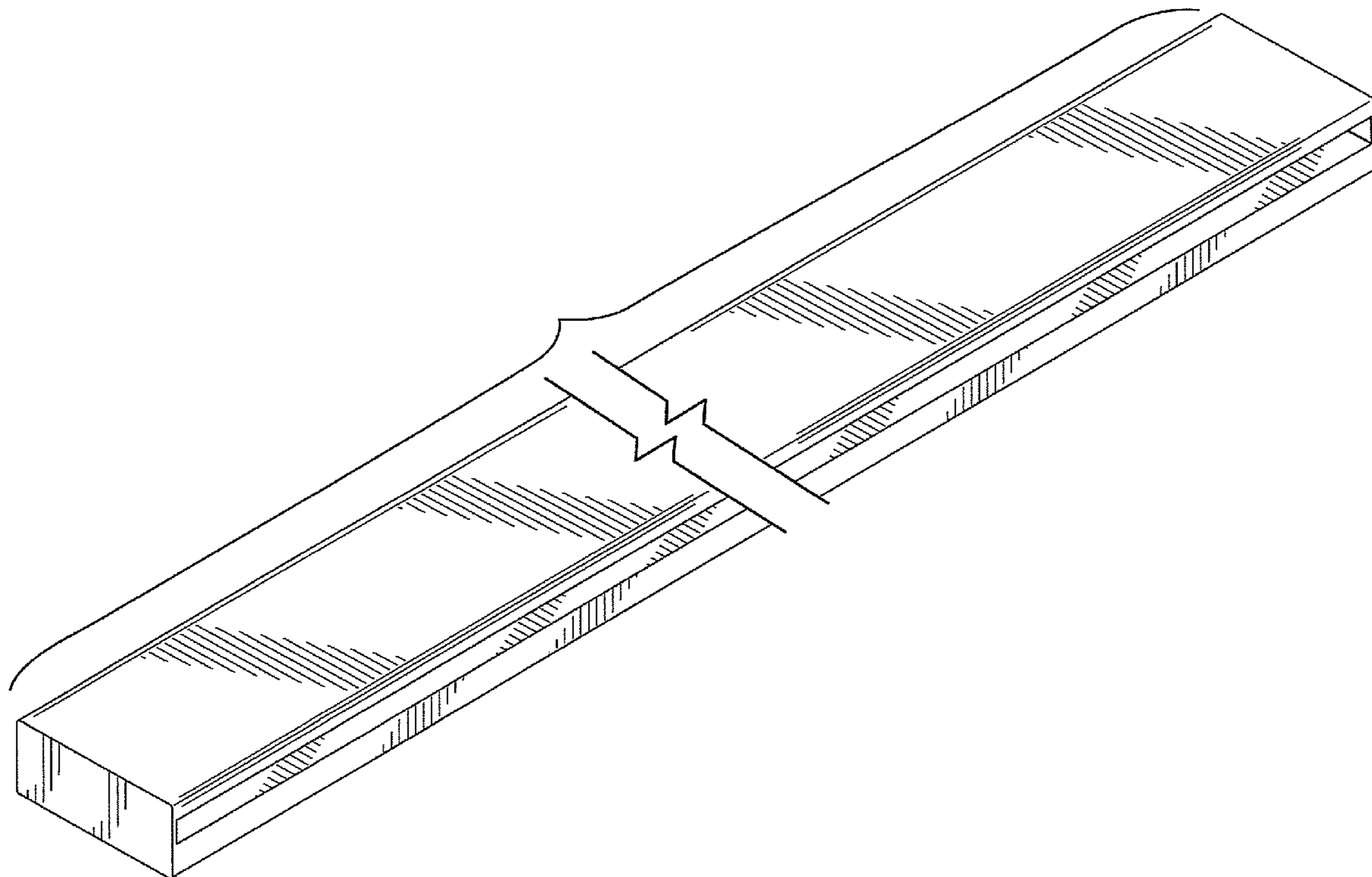
DESCRIPTION

FIG. 1 is a perspective view of a workstation luminaire with continuous side slot, showing my new design; and,

FIG. 2 is a vertically enlarged partial side elevation view of the luminaire of FIG. 1, the FIG. 2 view showing a reduced horizontal extent of the claimed design relative to that shown in FIG. 1.

The workstation luminaire with continuous side slot is shown broken away to indicate non-specific length. Applicant also respectfully notes that the broken lines of FIG. 2 illustrate a boundary, and form no part of the claimed design.

1 Claim, 2 Drawing Sheets



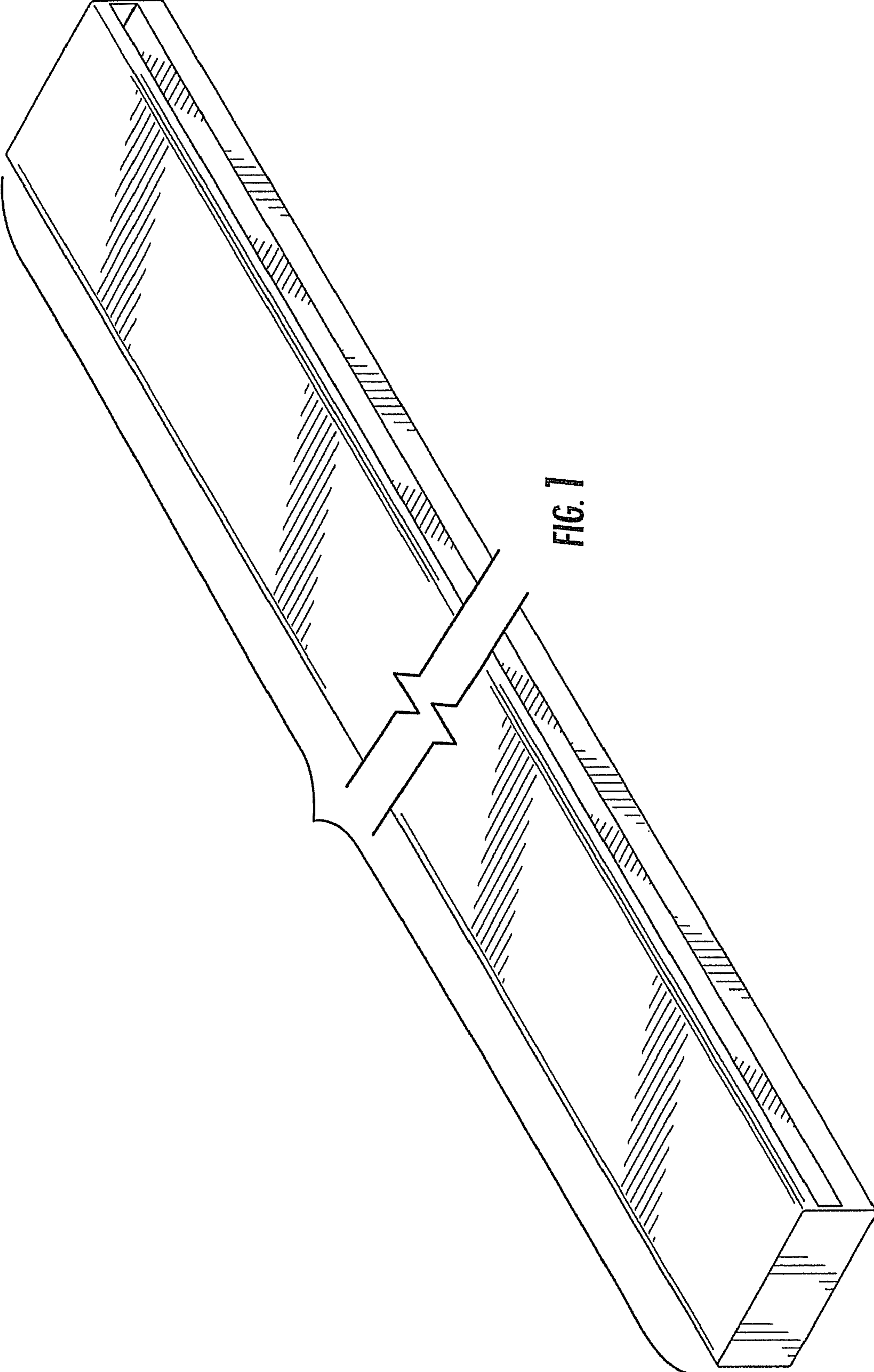


FIG. 1

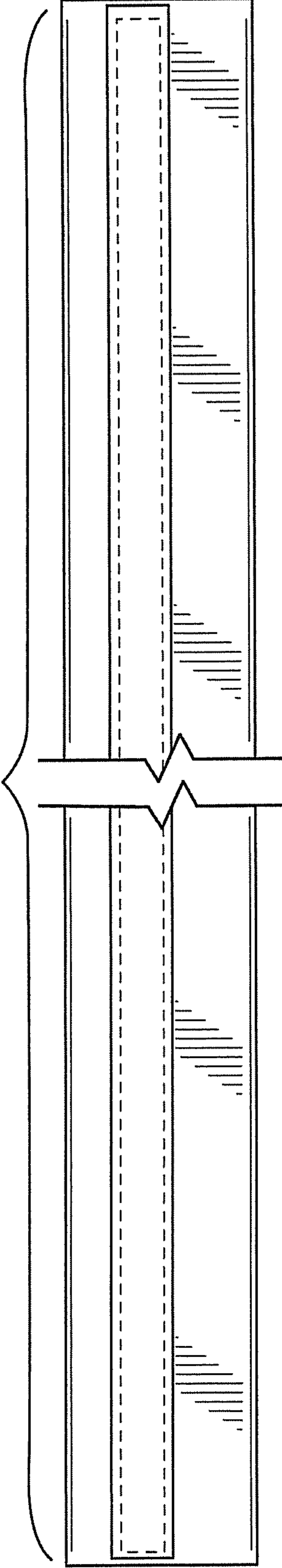


FIG. 2