



US00D599944S

(12) **United States Design Patent**
Sabernig

(10) **Patent No.:** **US D599,944 S**

(45) **Date of Patent:** **** Sep. 8, 2009**

(54) **LIGHT FIXTURE**

(75) Inventor: **Robert Sabernig**, Munster (AT)

(73) Assignee: **EGLO Leuchten GmbH**, Innsbruck (AT)

(**) Term: **14 Years**

(21) Appl. No.: **29/331,891**

(22) Filed: **Feb. 4, 2009**

Related U.S. Application Data

(63) Continuation-in-part of application No. 29/304,779, filed on Mar. 7, 2008.

(51) **LOC (9) Cl.** **26-05**

(52) **U.S. Cl.** **D26/74; D26/85**

(58) **Field of Classification Search** D26/72,
D26/74, 85; 362/362, 364, 257, 432, 147,
362/431

See application file for complete search history.

(56) **References Cited**

U.S. PATENT DOCUMENTS

D234,800 S	4/1975	Swartz
4,019,044 A	4/1977	Kelly et al.
D522,975 S	6/2006	Egawa et al.
D539,943 S	4/2007	Egawa et al.
D568,523 S	5/2008	Goetz-Schaefer
D576,333 S	9/2008	Benensohn
D581,086 S	11/2008	Starck
2007/0171656 A1	7/2007	Ma

OTHER PUBLICATIONS

“Frame”—recessed wall fixture model #Frame-Kit-H1 by Edge Lighting. From edgelighting.com © 2008.*

“4x4”—wall sconce model #4x4-H1-SA by Edge Lighting. From edgelighting.com © 2008.*

“Plaza Small”—surface mounted square mirror with integral compact fluorescent lamps, model #Plaza-S-F1 by Edge Lighting. From edgelighting.com © 2008.*

Frame Kit; Model No. Frame-Kit; printed from www.lightology.com on Mar. 19, 2008.

Schonbek Worldwide Lighting; Matrix Wall Sconce; Model No. MTW0510; printed from www.lightinguniverse.com on Apr. 10, 2008.

Vision 3 SQ; Model No. Vision3-Kit; printed from www.lightology.com on Mar. 19, 2008.

* cited by examiner

Primary Examiner—Clare E Heflin

(74) *Attorney, Agent, or Firm*—Baker & McKenzie LLP

(57) **CLAIM**

The ornamental design for a light fixture, as shown and described.

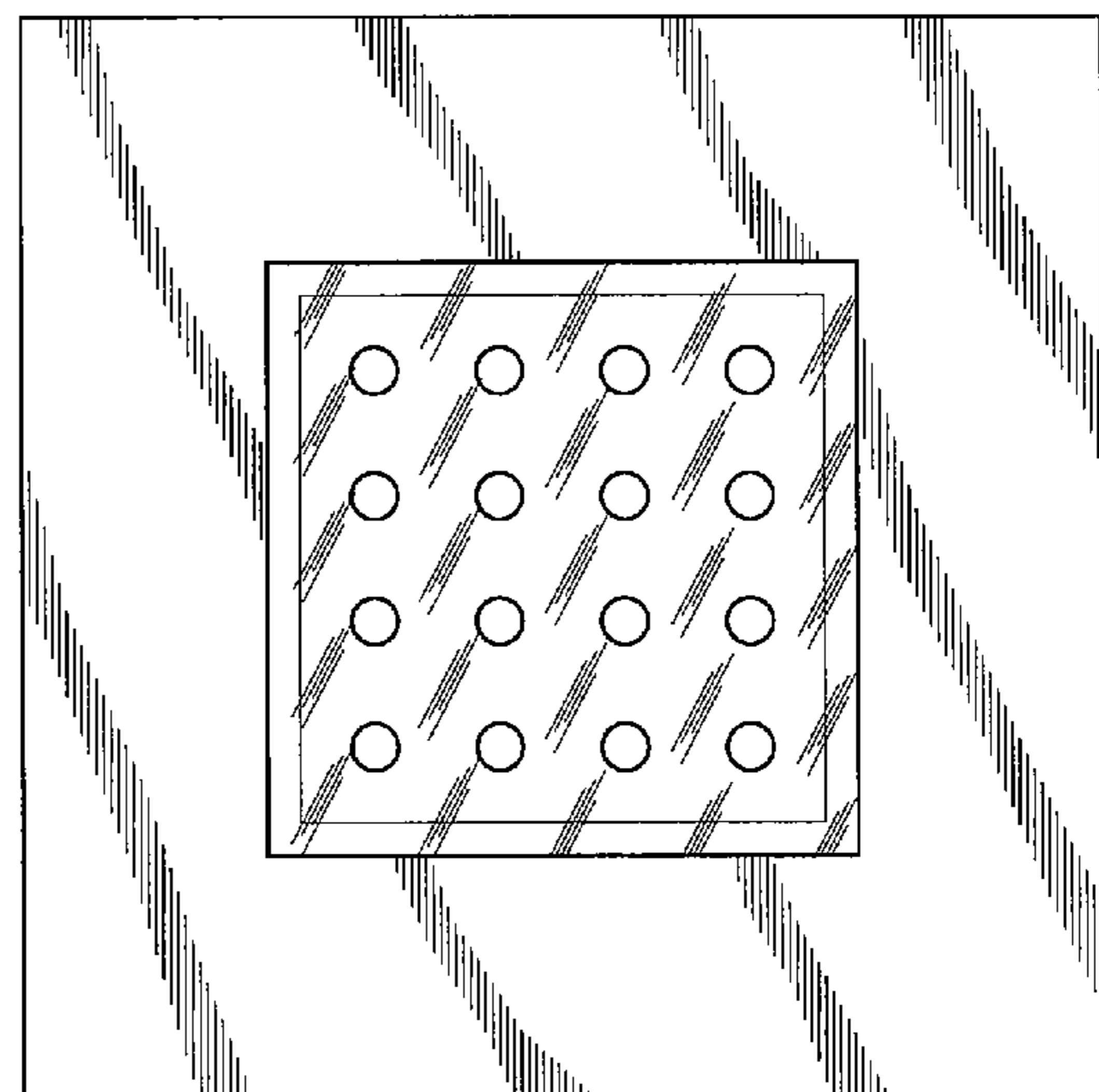
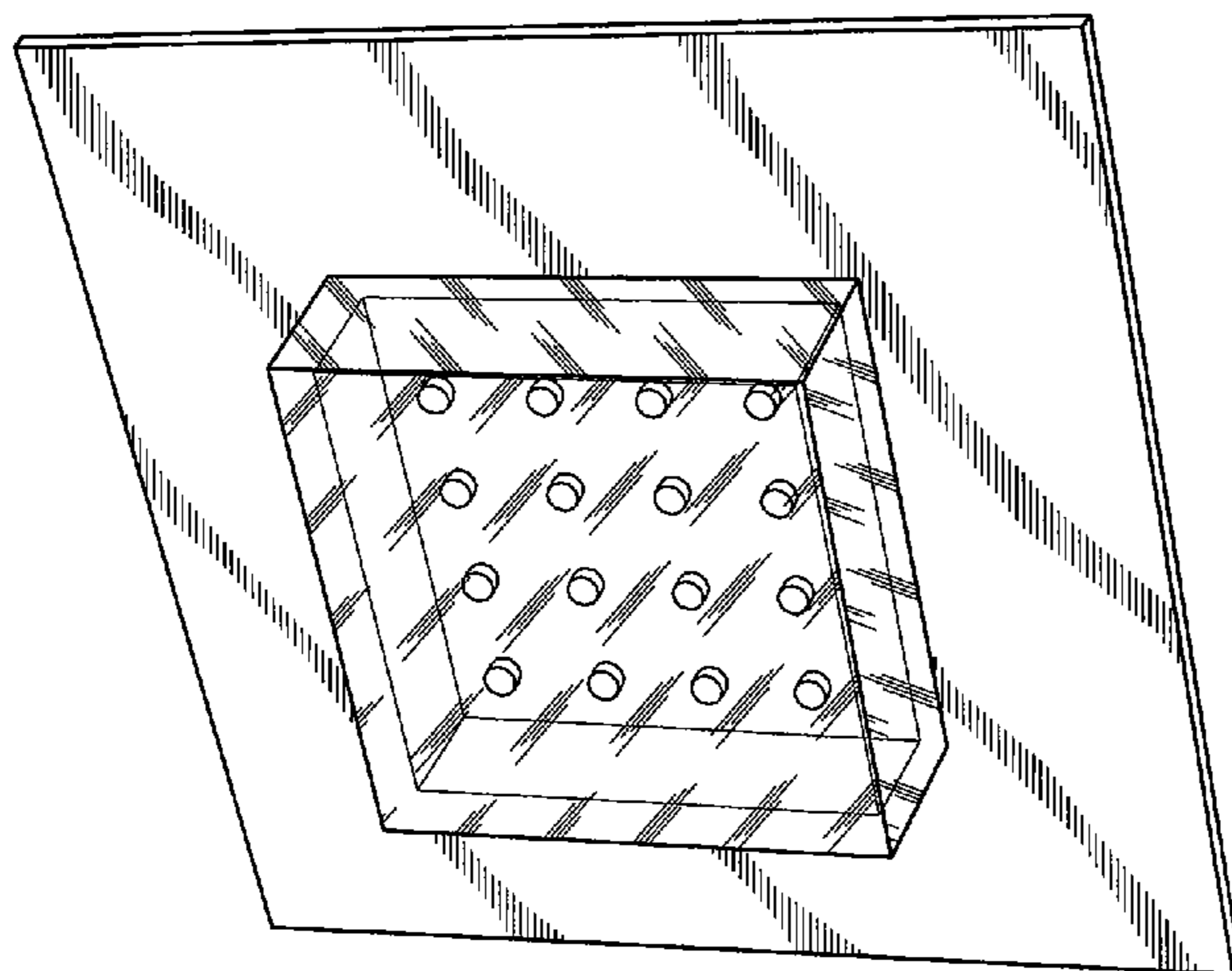
DESCRIPTION

FIG. 1 is a perspective view of a light fixture in accordance with my design;

FIG. 2 is a front elevation view of the light fixture in accordance with my design; and,

FIG. 3 is a side elevation view of the light fixture in accordance with my design, all side views being substantially identical to that shown.

1 Claim, 1 Drawing Sheet



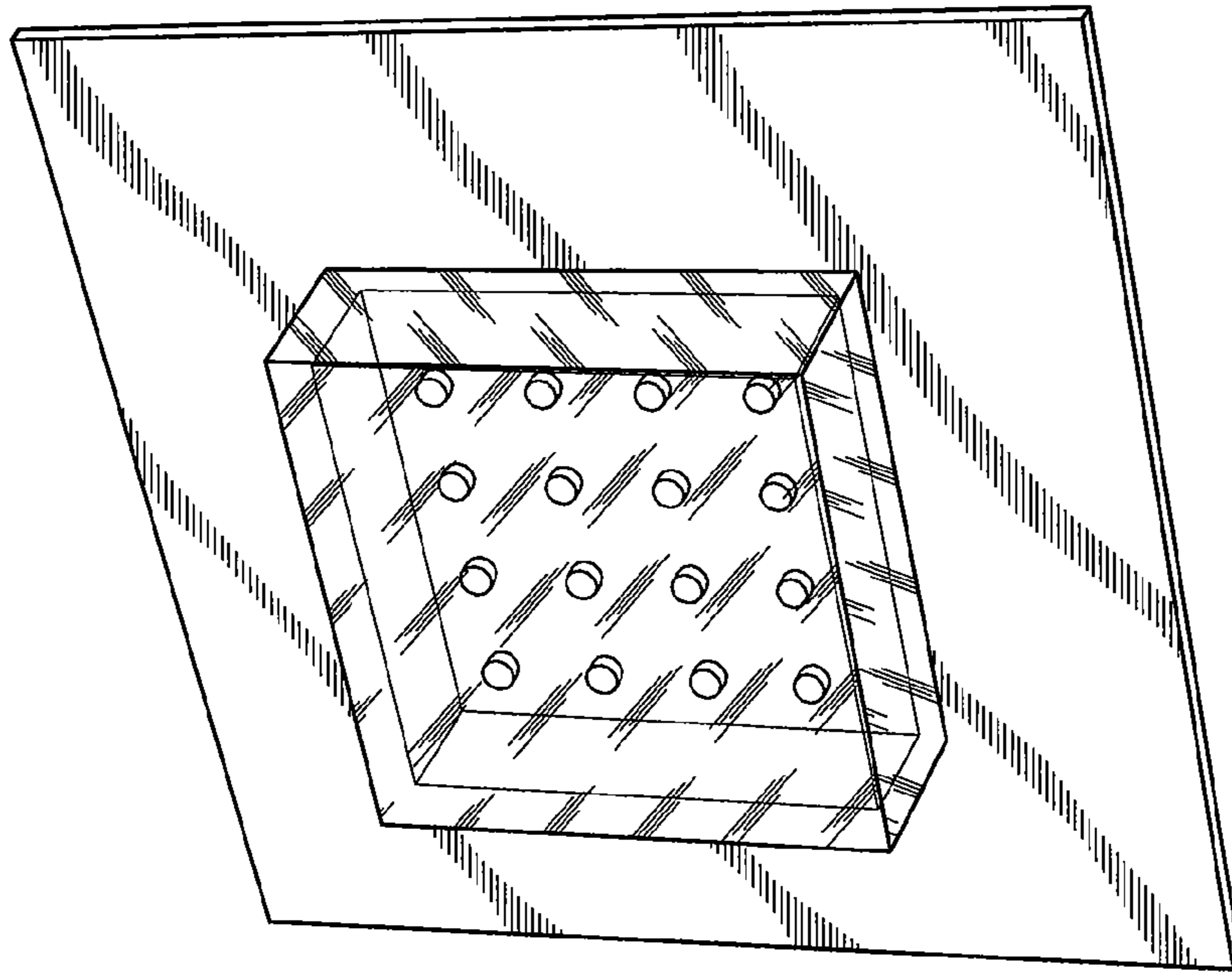


Fig.1

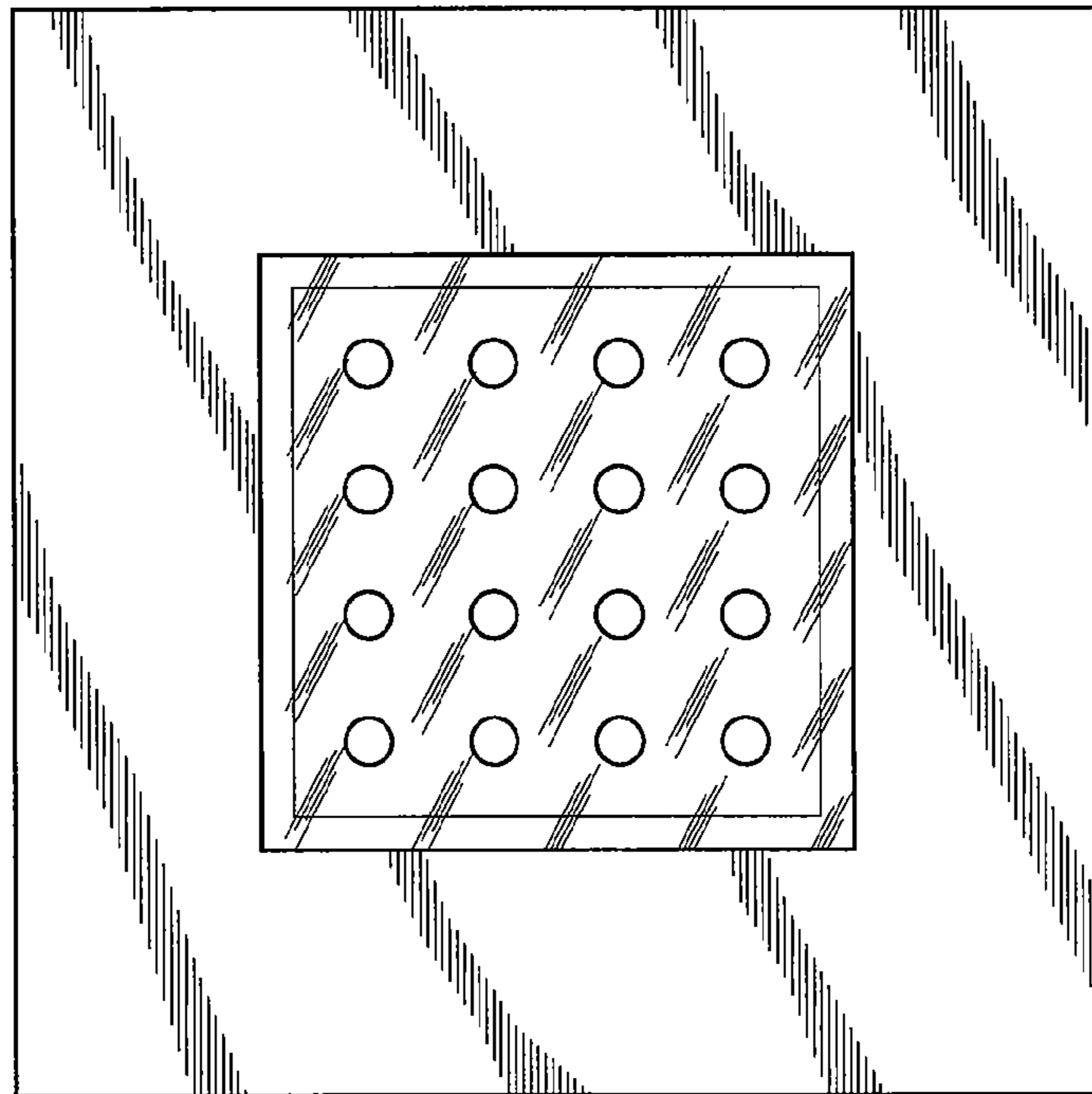


Fig.2

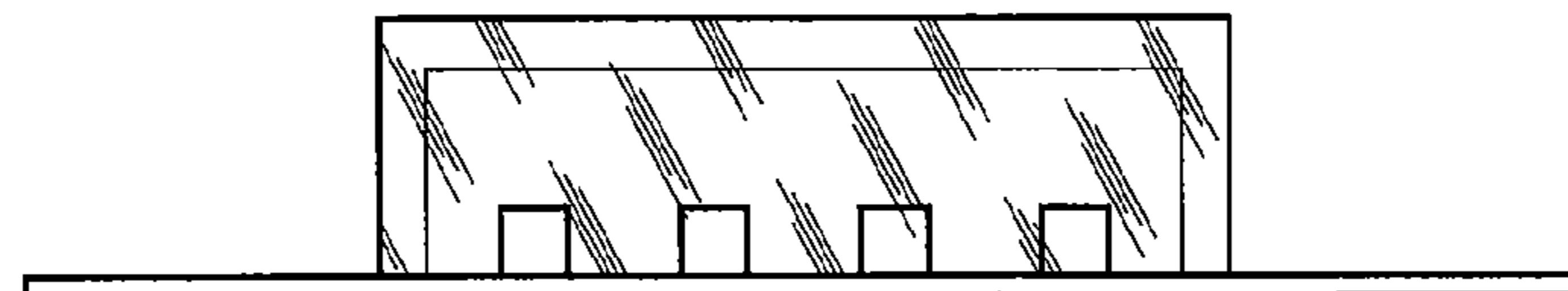


Fig.3