

US00D599943S

(12) **United States Design Patent**
Bergmann et al.

(10) **Patent No.:** **US D599,943 S**

(45) **Date of Patent:** **** Sep. 8, 2009**

(54) **LED LIGHTING FIXTURE**

(75) Inventors: **Martin Bergmann**, Vienna (AT);
Harald Gründl, Vienna (AT); **Gernot Bohman**, Vienna (AT); **Katharina Goetz-Schaefer**, Bad Salzflen (DE);
Herbert Köck, Balve (DE)

(73) Assignee: **Zumtobel Lighting GmbH & Co. KG**,
Lemgo (DE)

(**) Term: **14 Years**

(21) Appl. No.: **29/302,035**

(22) Filed: **Jan. 9, 2008**

Related U.S. Application Data

(62) Division of application No. 29/265,487, filed on Sep. 1, 2006.

(30) **Foreign Application Priority Data**

Mar. 9, 2006 (EM) 000492137-0002

(51) **LOC (9) Cl.** **26-05**

(52) **U.S. Cl.** **D26/74**

(58) **Field of Classification Search** D26/24,
D26/28, 72, 74-76, 85, 89, 120-122; 362/145,
362/147-150, 157, 260, 310, 364, 365, 368,
362/432; D23/328

See application file for complete search history.

(56) **References Cited**

U.S. PATENT DOCUMENTS

D120,773 S * 5/1940 Arenberg D26/120

D183,117 S * 7/1958 Coleman et al. D26/121
4,155,111 A * 5/1979 Kelly et al. 362/374
D266,110 S * 9/1982 Ariga et al. D26/3
4,379,322 A * 4/1983 Kelly 362/300
4,493,013 A * 1/1985 Hawkins 362/307
D348,534 S * 7/1994 Herst et al. D26/85
5,813,743 A * 9/1998 Naka 362/16
D545,487 S * 6/2007 Bynum et al. D26/120

* cited by examiner

Primary Examiner—T. Chase Nelson

Assistant Examiner—Susan E Krakower

(74) *Attorney, Agent, or Firm*—Marshall, Gerstein & Borun LLP

(57) **CLAIM**

The ornamental design for a LED lighting fixture, as shown.

DESCRIPTION

FIG. 1 is a front view of an LED lighting fixture that has the design.

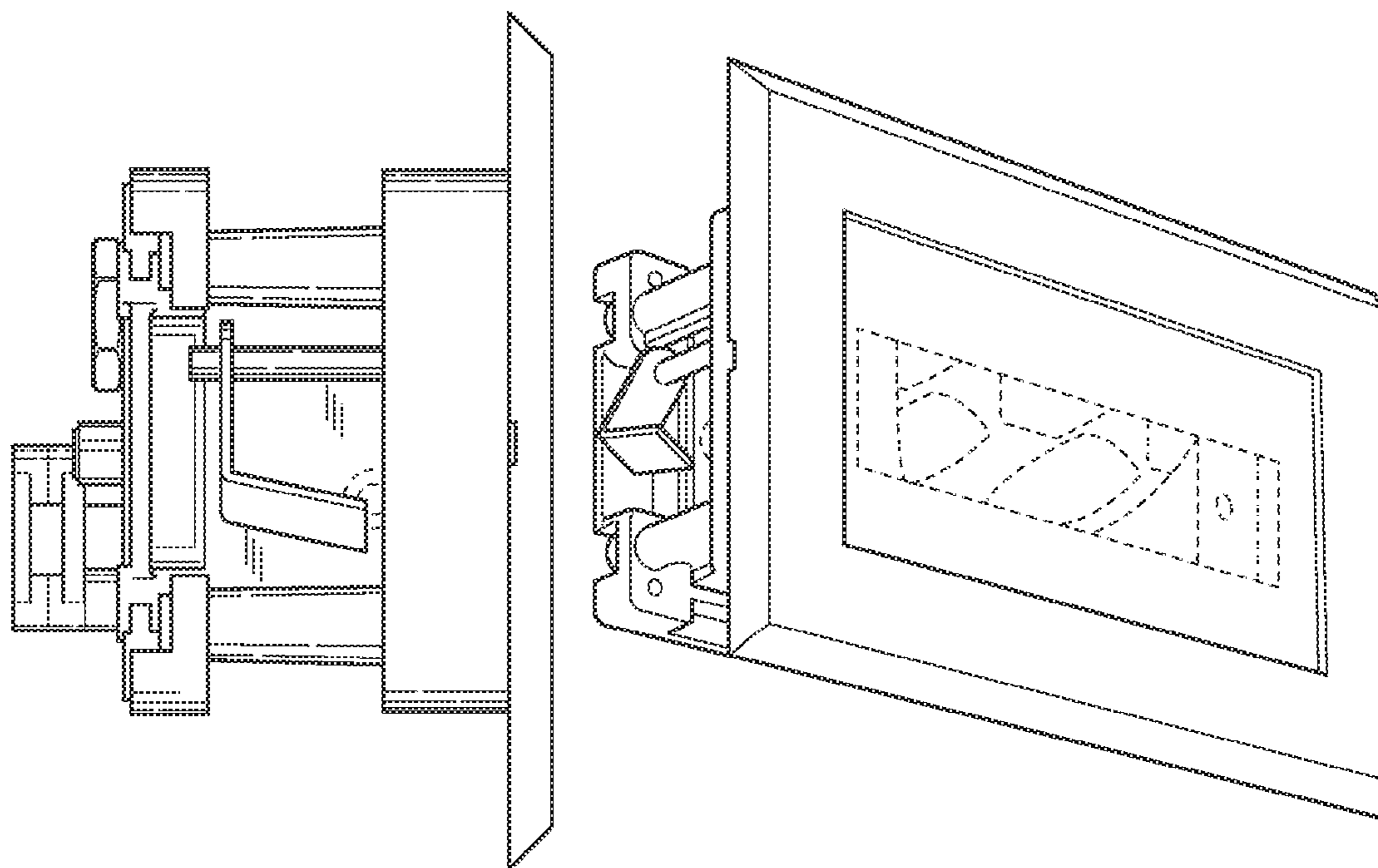
FIG. 2 is a top view of the fixture seen in FIG. 1.

FIG. 3 is a side view of the fixture.

FIG. 4 is a perspective view of the fixture seen in FIG. 1; and,

FIG. 5 is a rotated perspective view of the fixture.

1 Claim, 5 Drawing Sheets



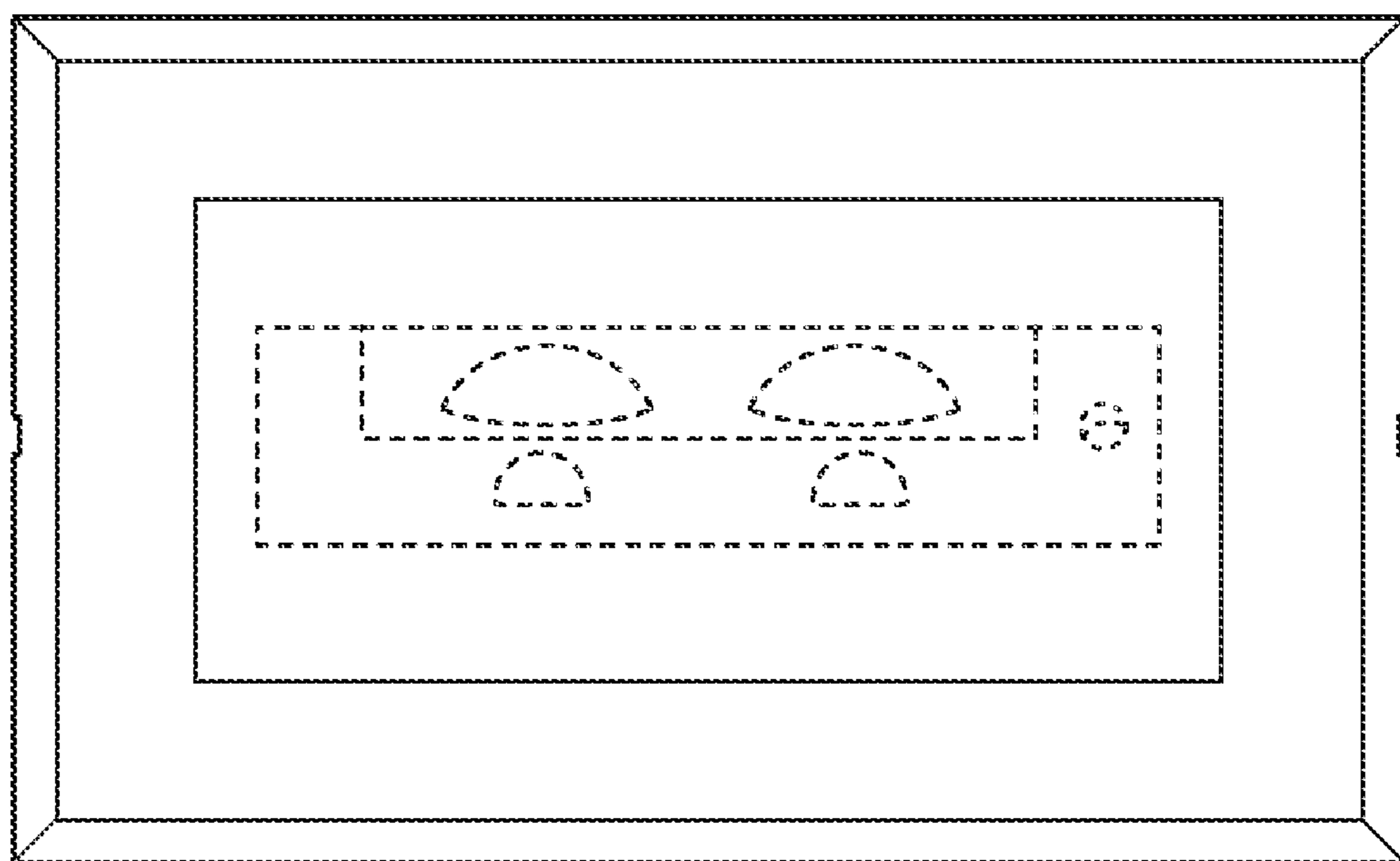


FIG. 1

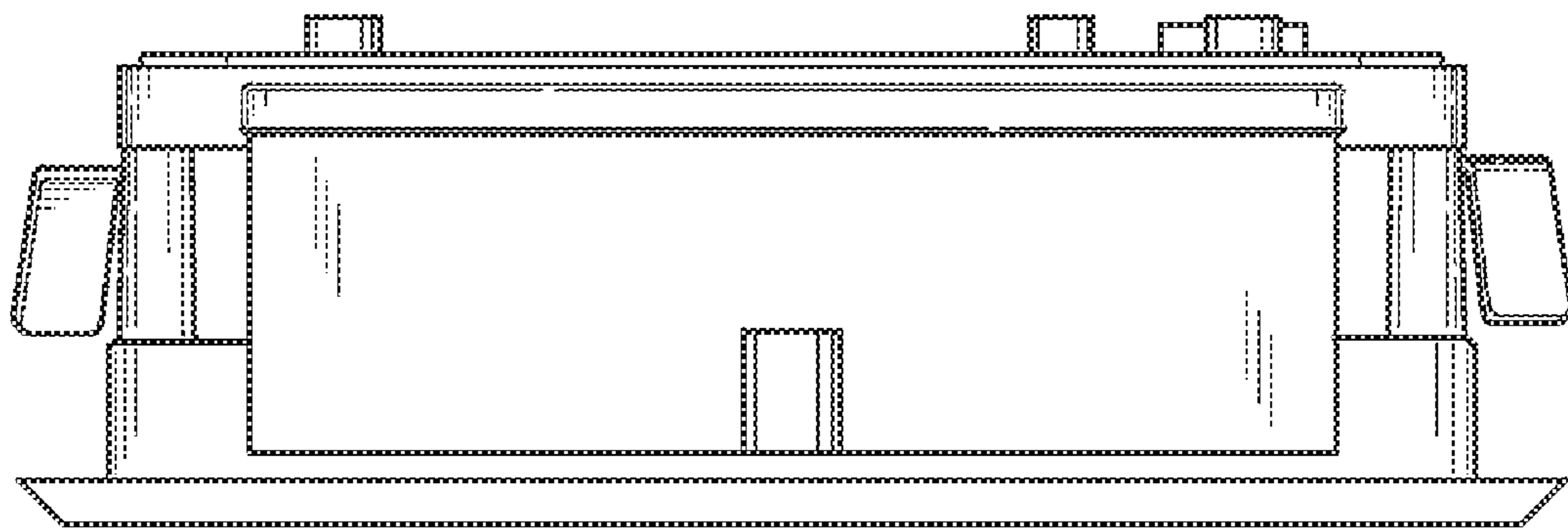


FIG. 2

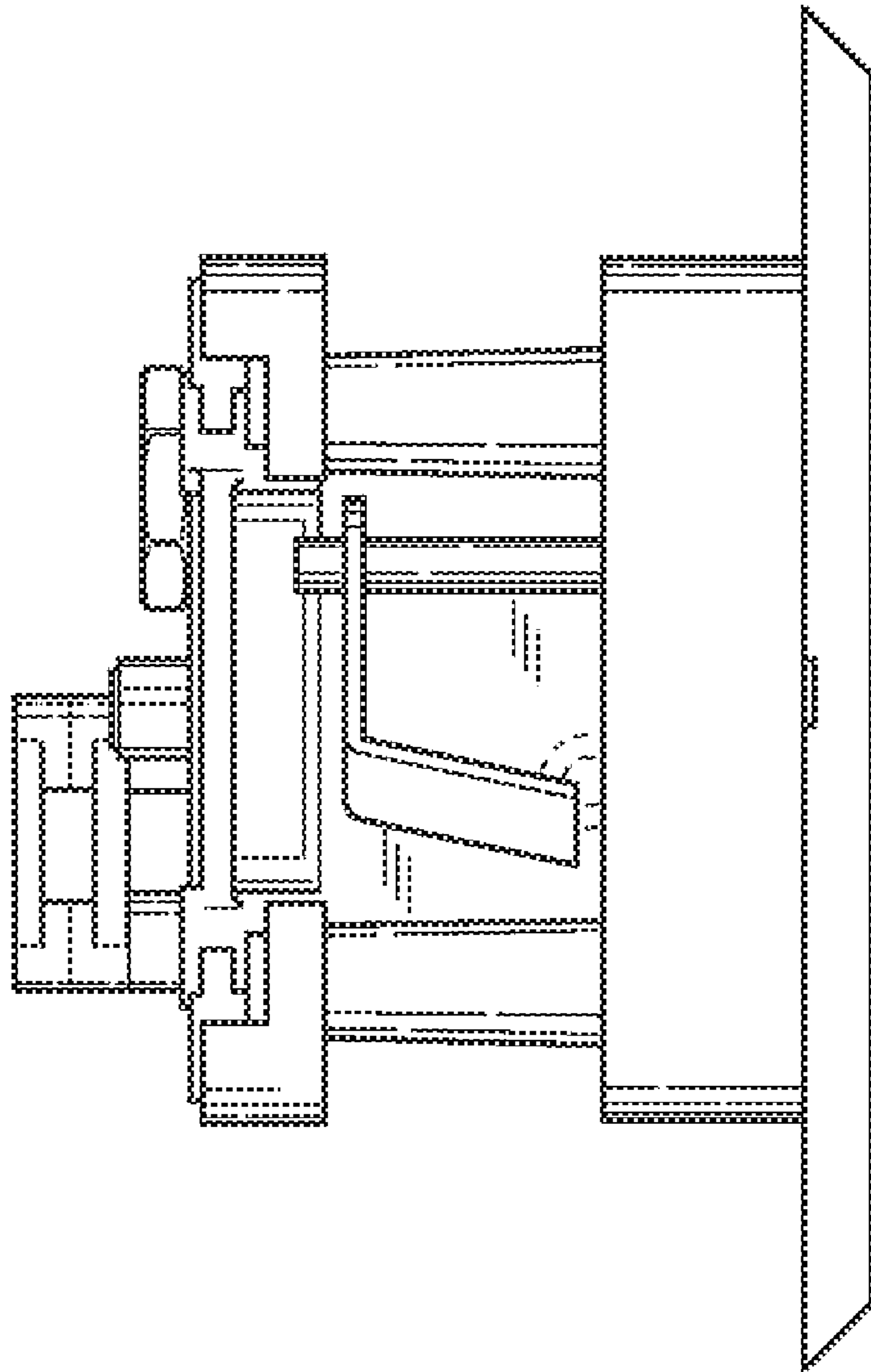


FIG. 3

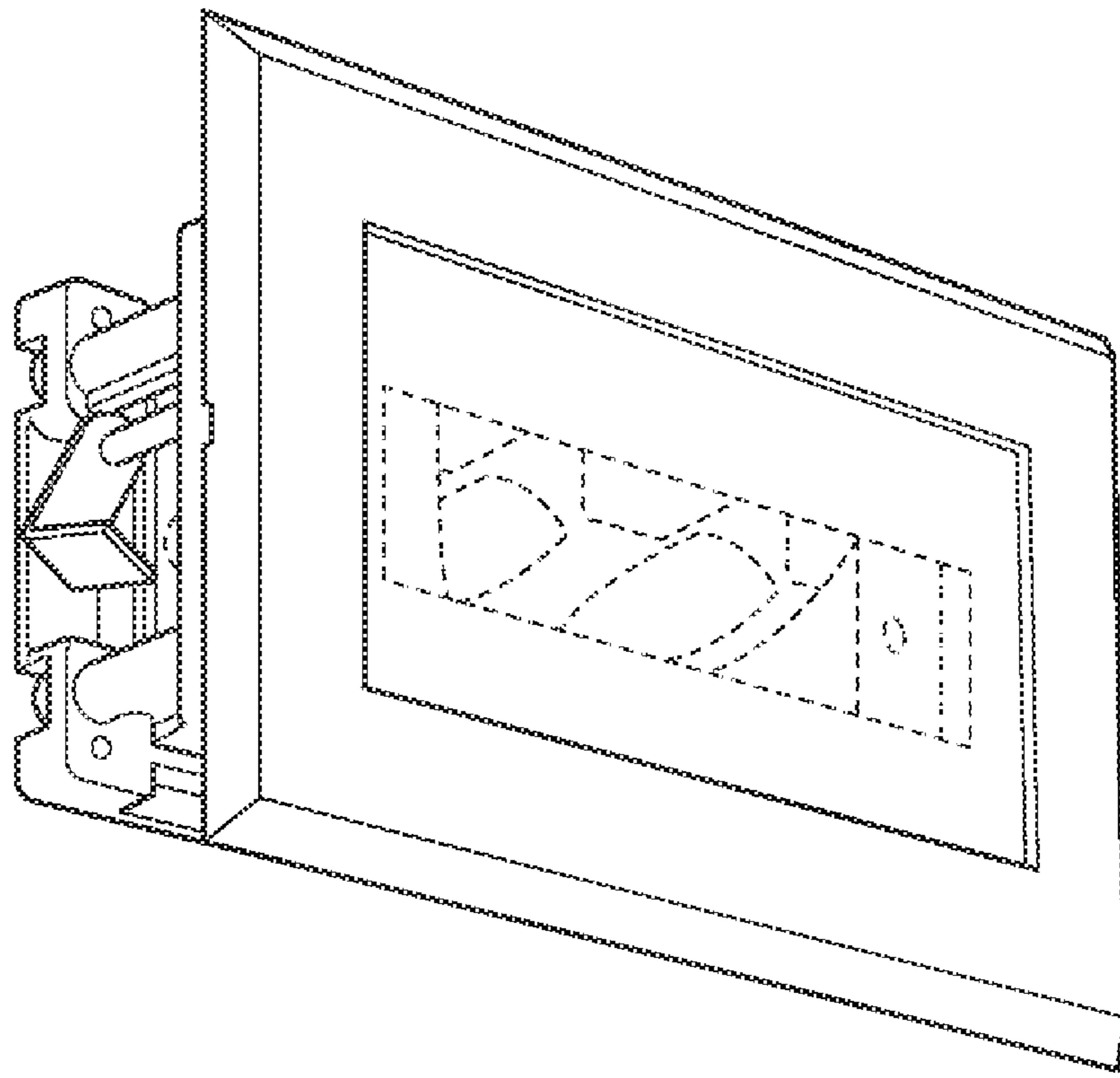


FIG. 4

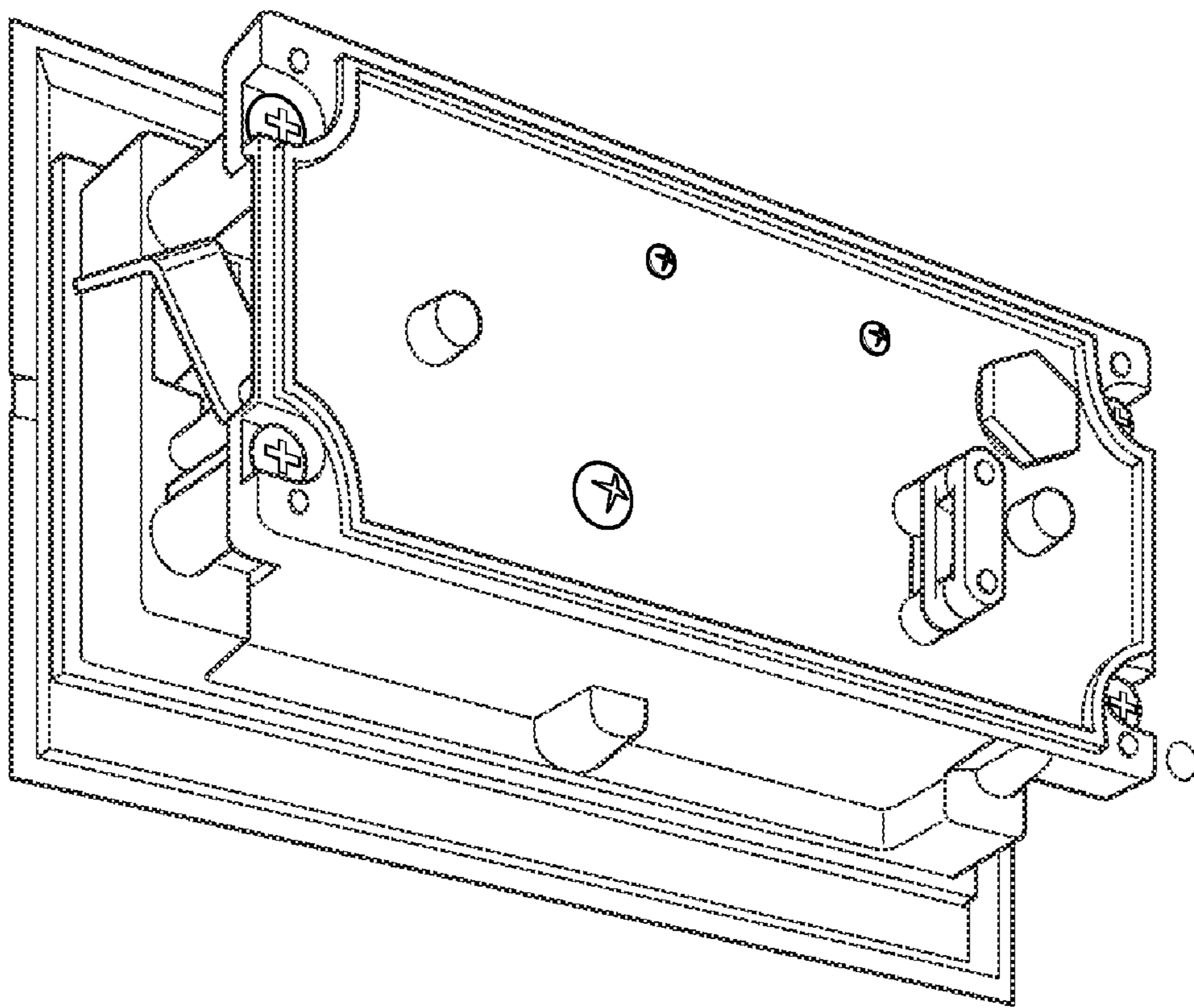


FIG. 5