



US00D599939S

(12) **United States Design Patent**
Zheng et al.

(10) **Patent No.:** **US D599,939 S**

(45) **Date of Patent:** **** Sep. 8, 2009**

(54) **LED LAMP**

(75) Inventors: **Shi-Song Zheng**, Shenzhen (CN);
Zhong-Qing Wang, Shenzhen (CN);
Yi-San Liu, Shenzhen (CN)

(73) Assignee: **Foxconn Technology Co., Ltd.**,
Tu-Cheng, Taipei Hsien (TW)

(**) Term: **14 Years**

(21) Appl. No.: **29/317,236**

(22) Filed: **Apr. 25, 2008**

(51) **LOC (9) Cl.** **26-05**

(52) **U.S. Cl.** **D26/71**

(58) **Field of Classification Search** D26/67-72,
D26/85, 92; 362/145, 152, 183, 294, 373,
362/414, 431, 545, 800

See application file for complete search history.

(56) **References Cited**

U.S. PATENT DOCUMENTS

2,916,609 A * 12/1959 Freier et al. 362/374
D198,812 S * 8/1964 Pettengill D26/71
6,784,357 B1 * 8/2004 Wang 362/431
D573,292 S * 7/2008 Zheng et al. D26/71

D573,741 S * 7/2008 Lou D26/71
D573,743 S * 7/2008 Yan et al. D26/71
D577,455 S * 9/2008 Zheng et al. D26/71
D578,697 S * 10/2008 Zheng et al. D26/71
D580,582 S * 11/2008 Fan D26/71
2004/0196653 A1 * 10/2004 Clark et al. 362/183

* cited by examiner

Primary Examiner—Clare E Heflin

(74) *Attorney, Agent, or Firm*—Frank R. Niranjana

(57) **CLAIM**

The ornamental design for an LED lamp, as shown.

DESCRIPTION

FIG. 1 is a perspective view of an LED lamp showing our new design;

FIG. 2 is a front elevational view thereof;

FIG. 3 is a rear elevational view thereof;

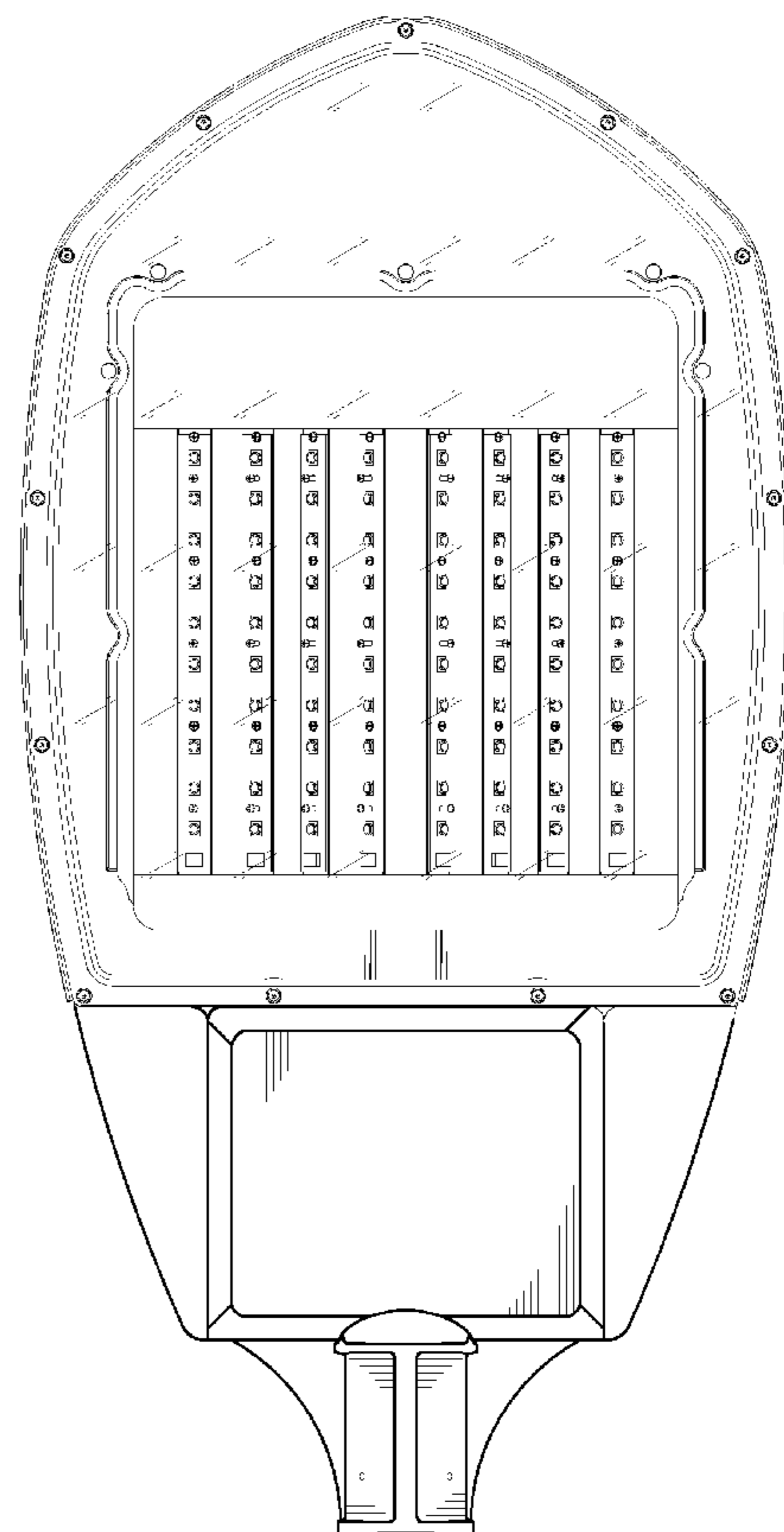
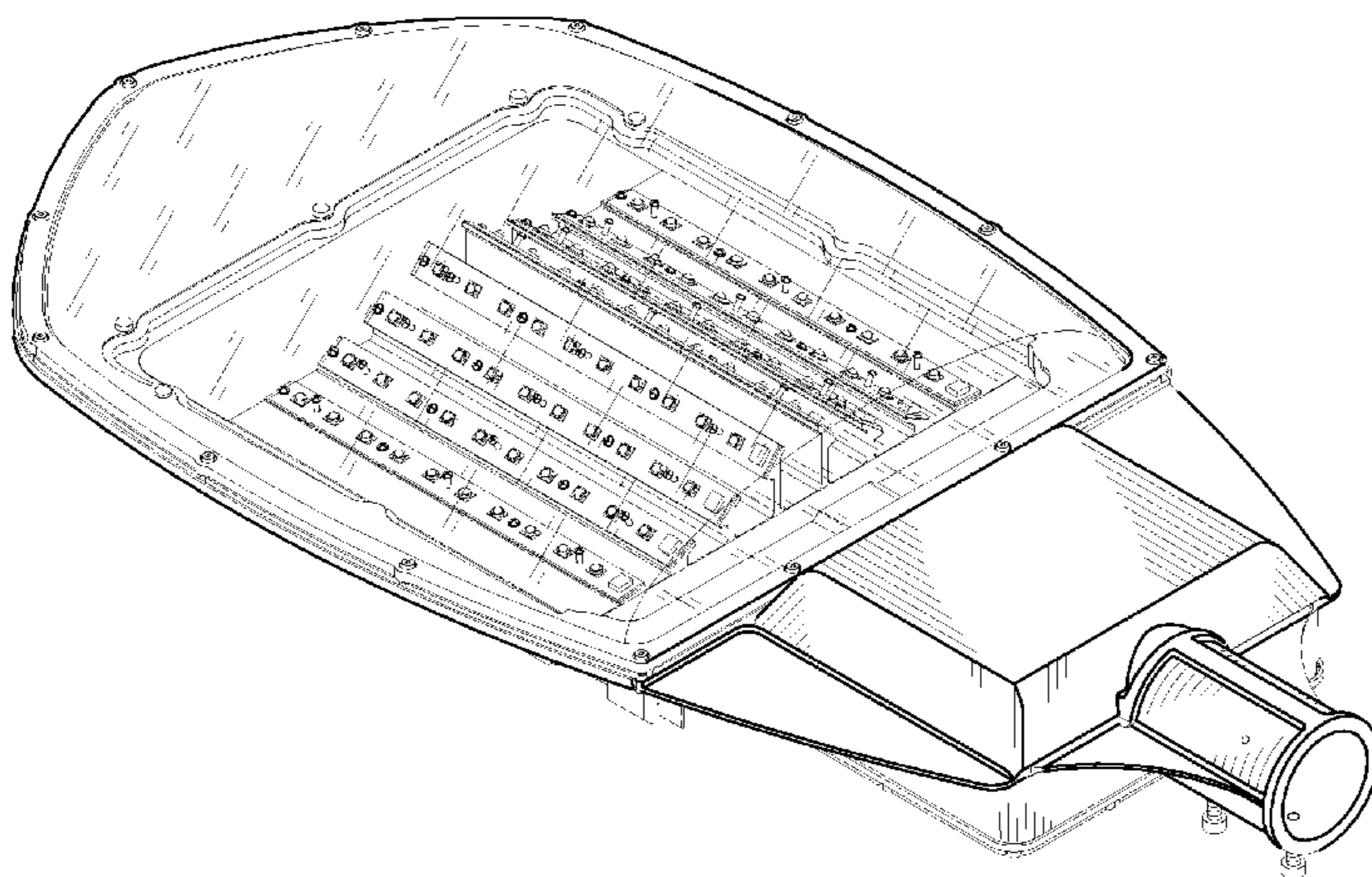
FIG. 4 is a left-side, elevational view thereof;

FIG. 5 is a right-side, elevational view thereof;

FIG. 6 is a top plan view thereof; and,

FIG. 7 is a bottom plan view thereof.

1 Claim, 7 Drawing Sheets



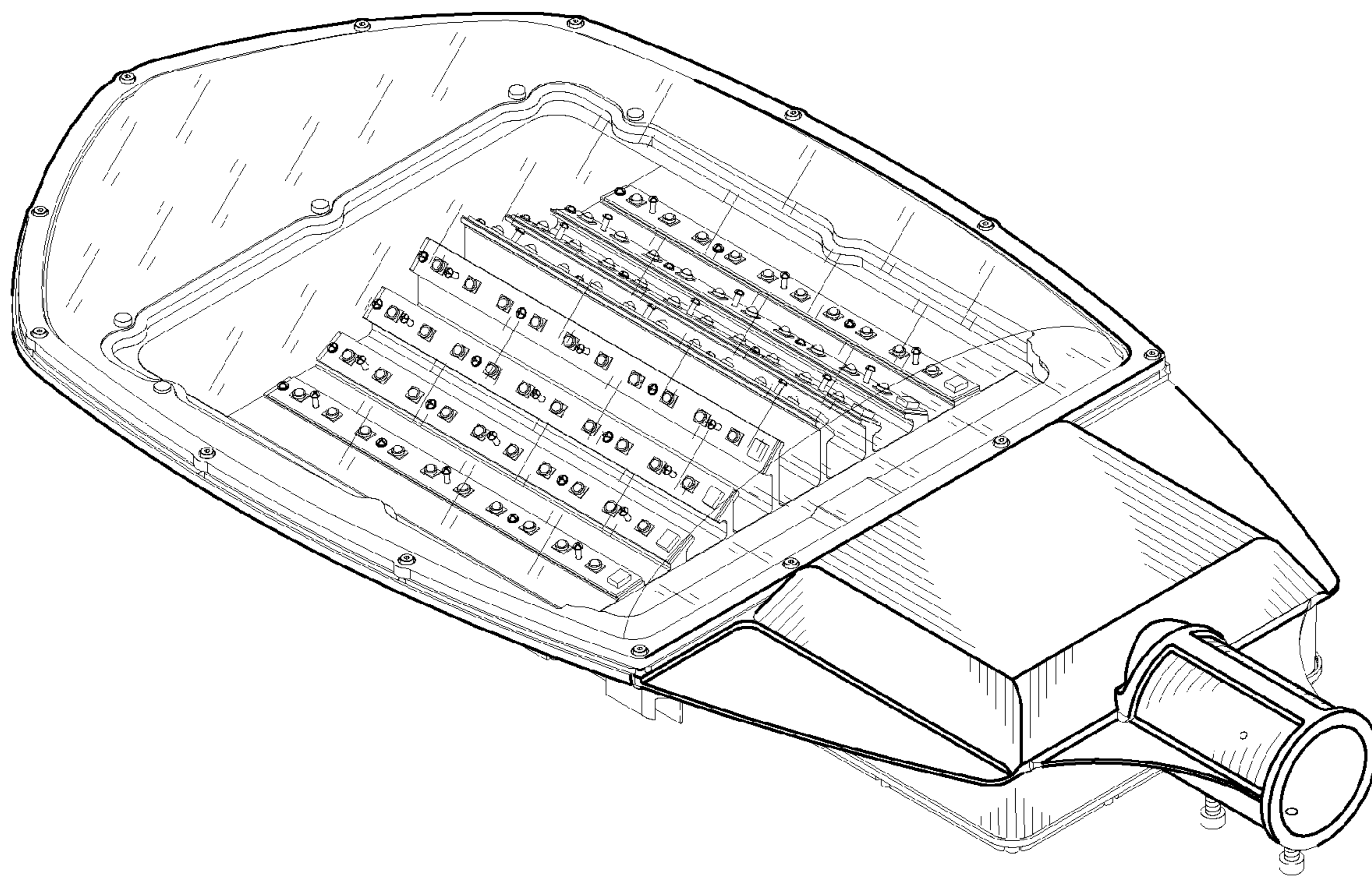


FIG. 1

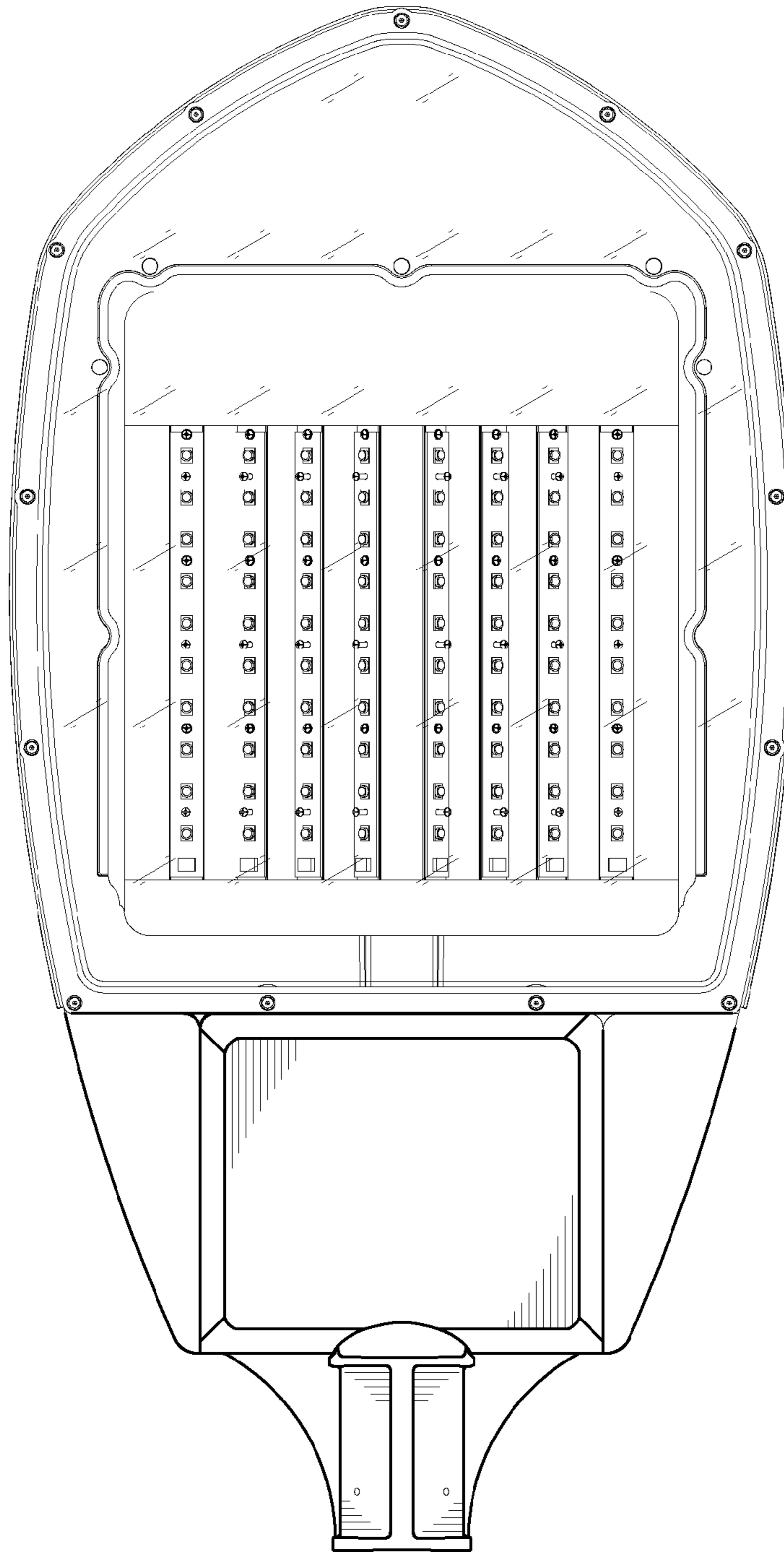


FIG. 2

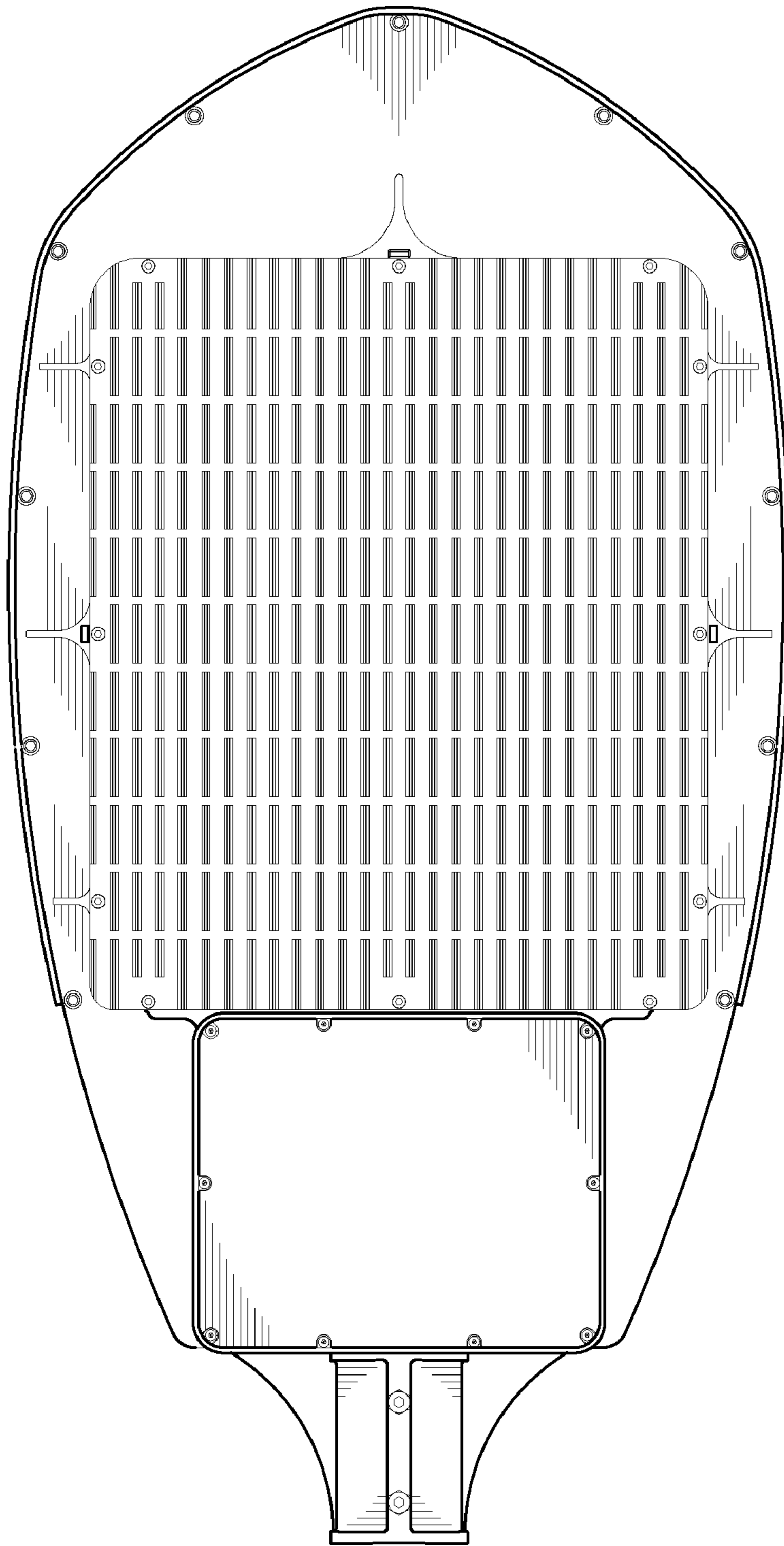


FIG. 3

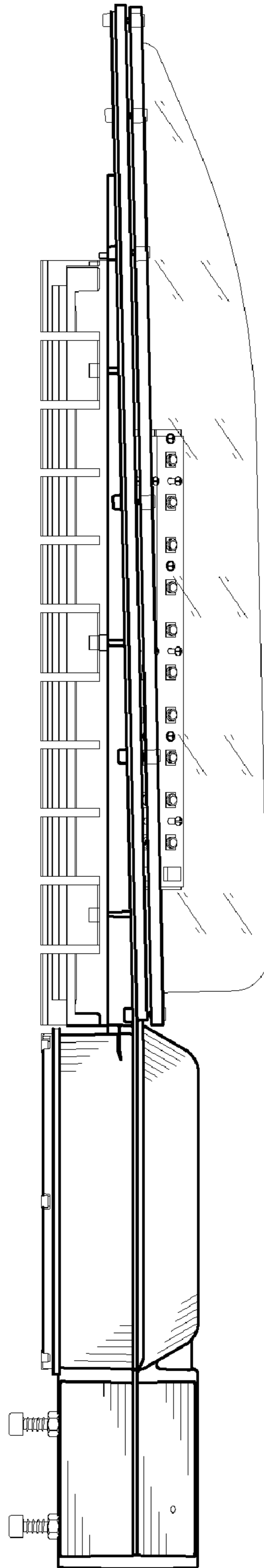


FIG. 4

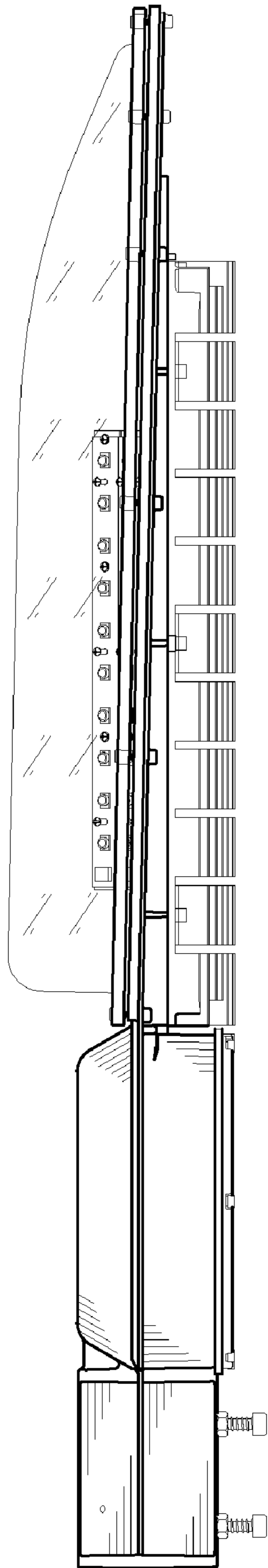


FIG. 5

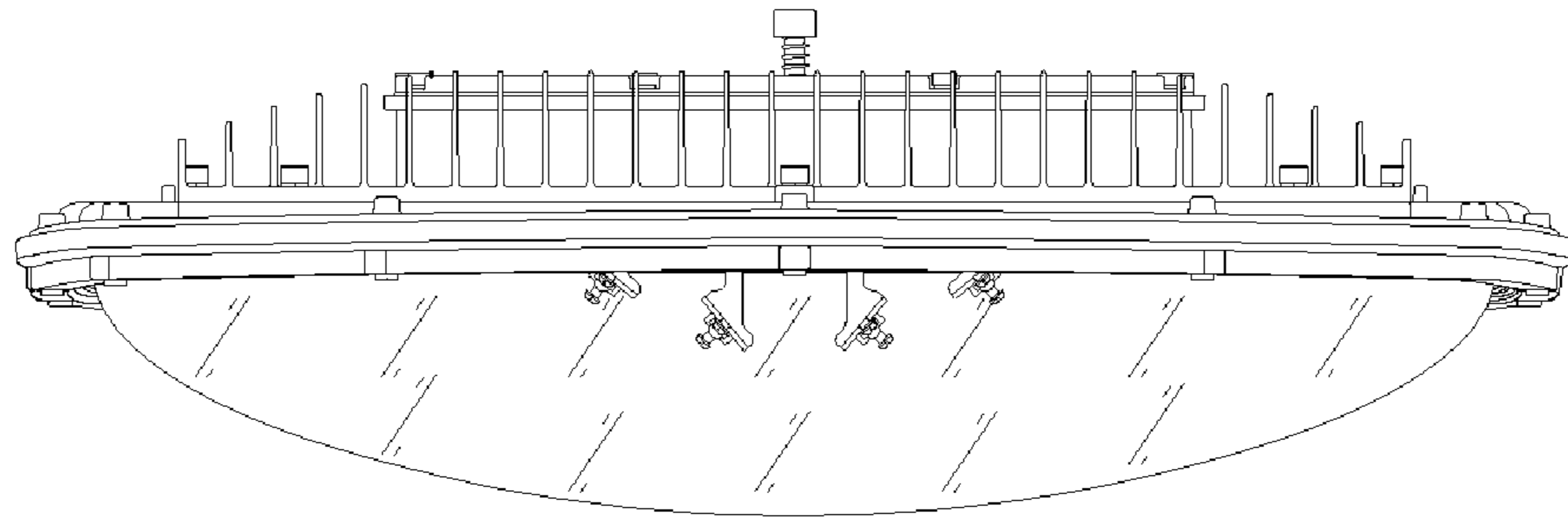


FIG. 6

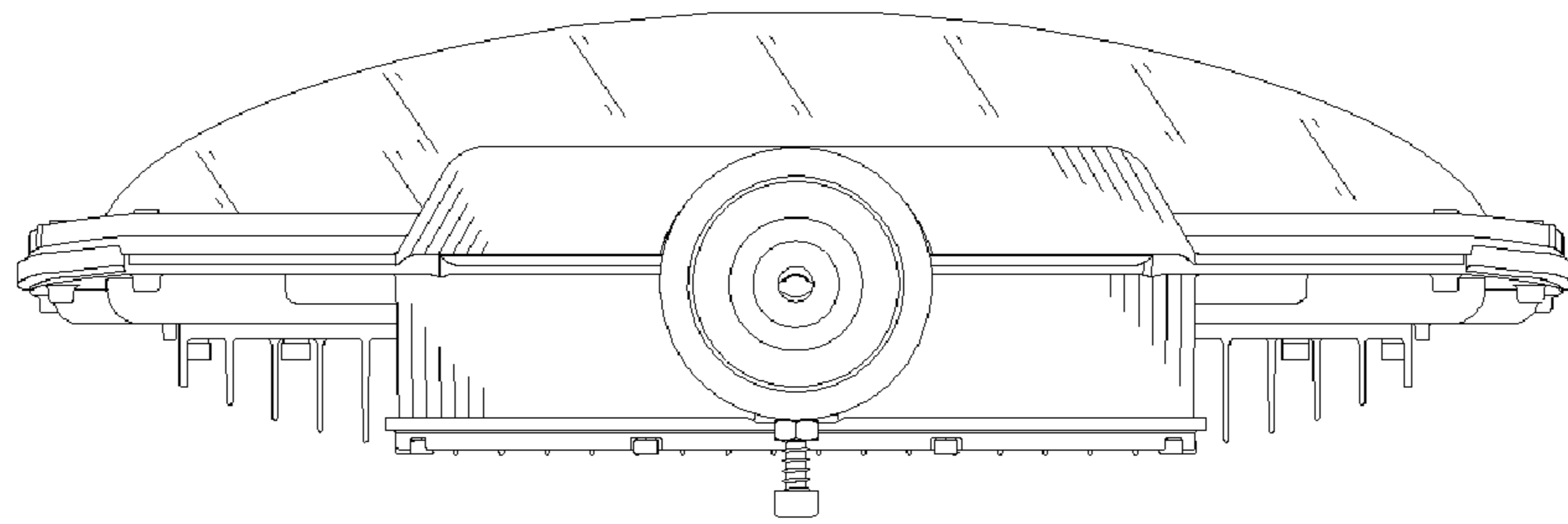


FIG. 7