



US00D599937S

(12) **United States Design Patent**
Sabernig

(10) **Patent No.:** **US D599,937 S**

(45) **Date of Patent:** **** Sep. 8, 2009**

(54) **LIGHT FIXTURE**

(75) Inventor: **Robert Sabernig**, Munster (AT)

(73) Assignee: **EGLO Leuchten GmbH**, Innsbruck (AT)

(**) Term: **14 Years**

(21) Appl. No.: **29/325,210**

(22) Filed: **Sep. 26, 2008**

(51) **LOC (9) Cl.** **26-05**

(52) **U.S. Cl.** **D26/67**

(58) **Field of Classification Search** D26/67-72,
D26/85; 362/183, 431, 152-153.1

See application file for complete search history.

(56) **References Cited**

U.S. PATENT DOCUMENTS

D70,460 S *	6/1926	Wellman	D26/85
D192,125 S *	1/1962	Lasker	D26/67
D195,989 S *	8/1963	Pettengill	D26/67
D195,990 S *	8/1963	Pettengill	D26/67
D199,266 S *	9/1964	Izzi	D26/67
D199,409 S *	10/1964	Van Steenhoven	D26/67
D574,103 S *	7/2008	Minami et al.	D26/67

* cited by examiner

Primary Examiner—Clare E Heflin

(74) *Attorney, Agent, or Firm*—Baker & McKenzie LLP

(57) **CLAIM**

The ornamental design for a light fixture, as shown and described.

DESCRIPTION

FIG. 1 is a top perspective view of a light fixture in accordance with my design;

FIG. 2 is a top plan view of the light fixture in accordance with my design;

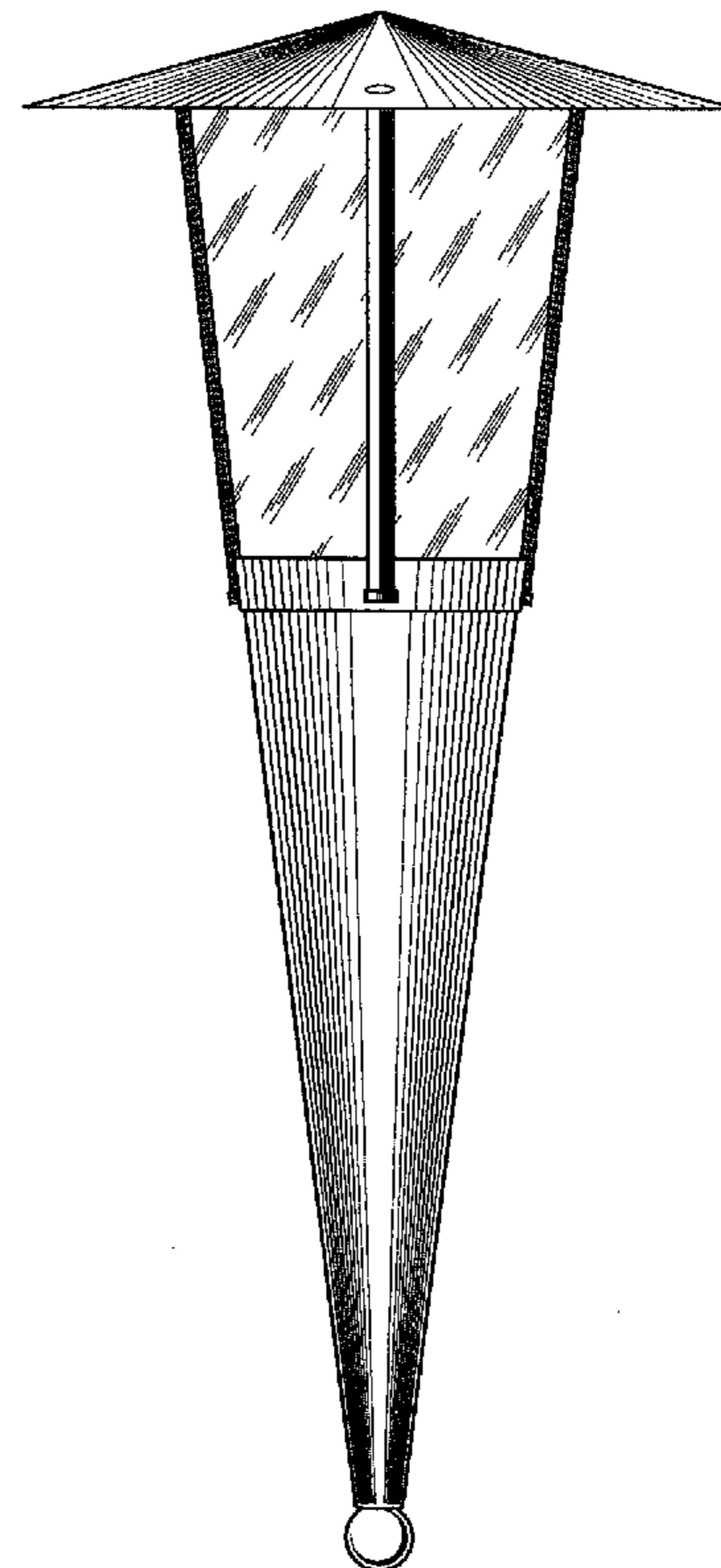
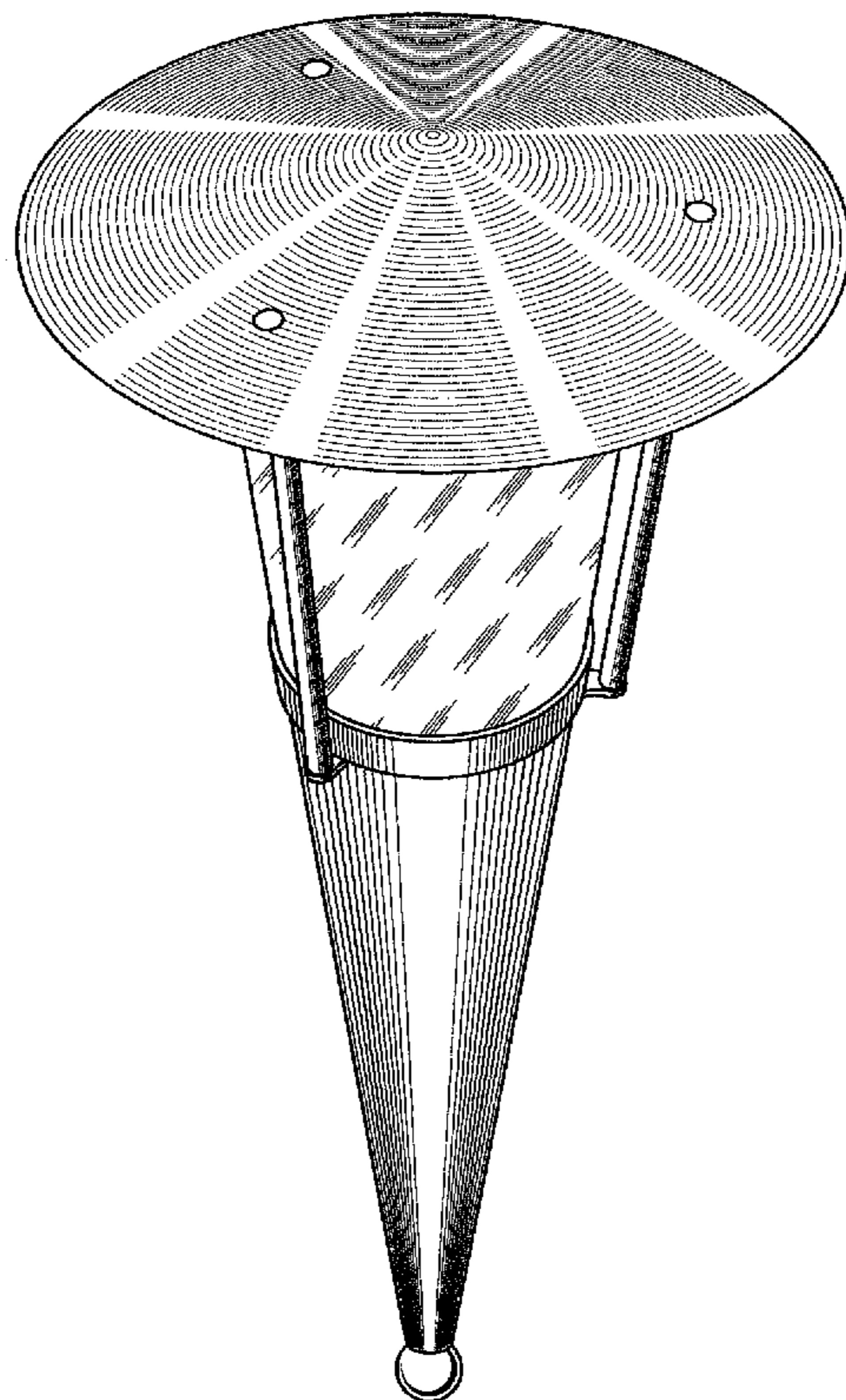
FIG. 3 is a bottom plan view of the light fixture in accordance with my design;

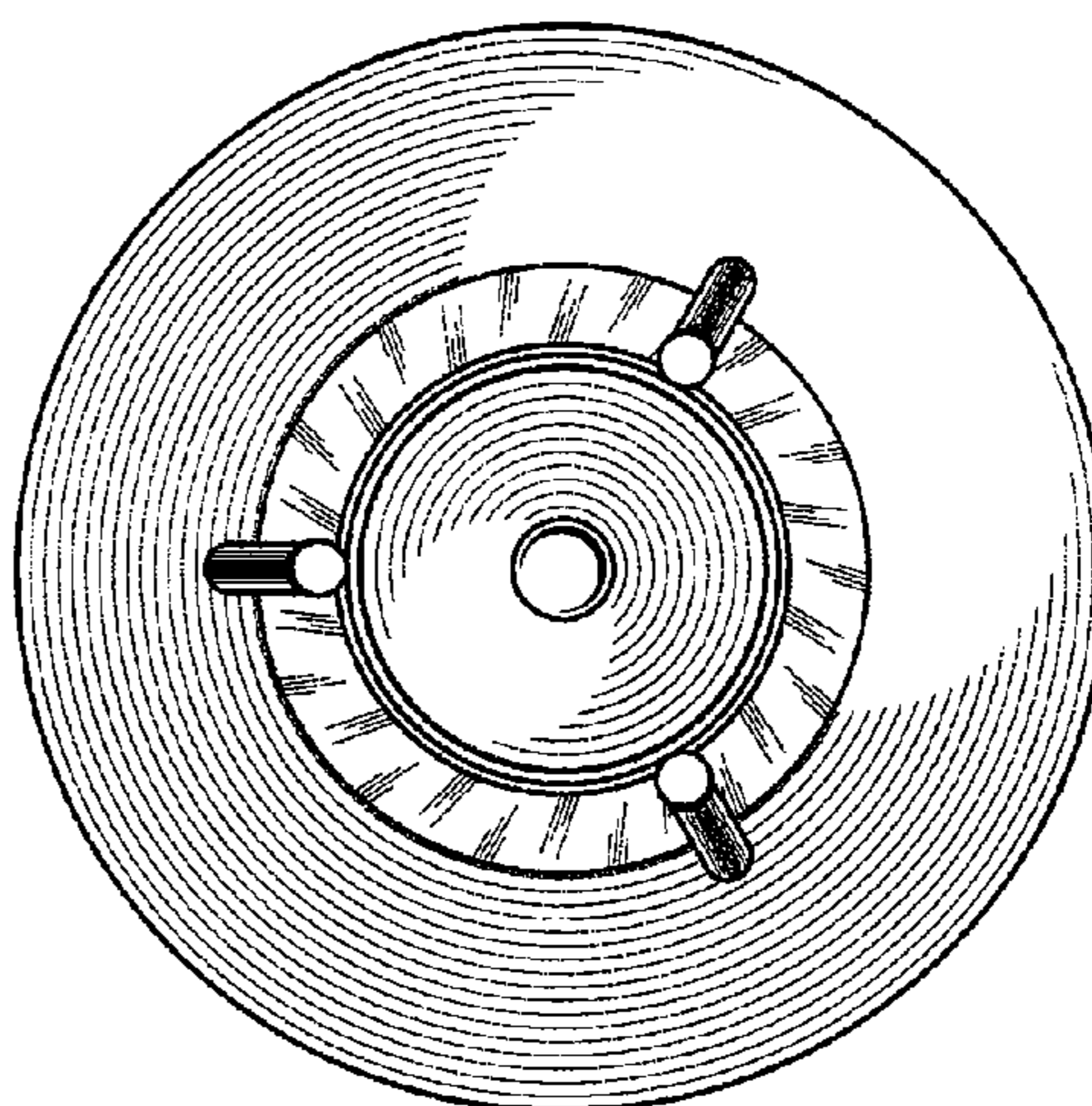
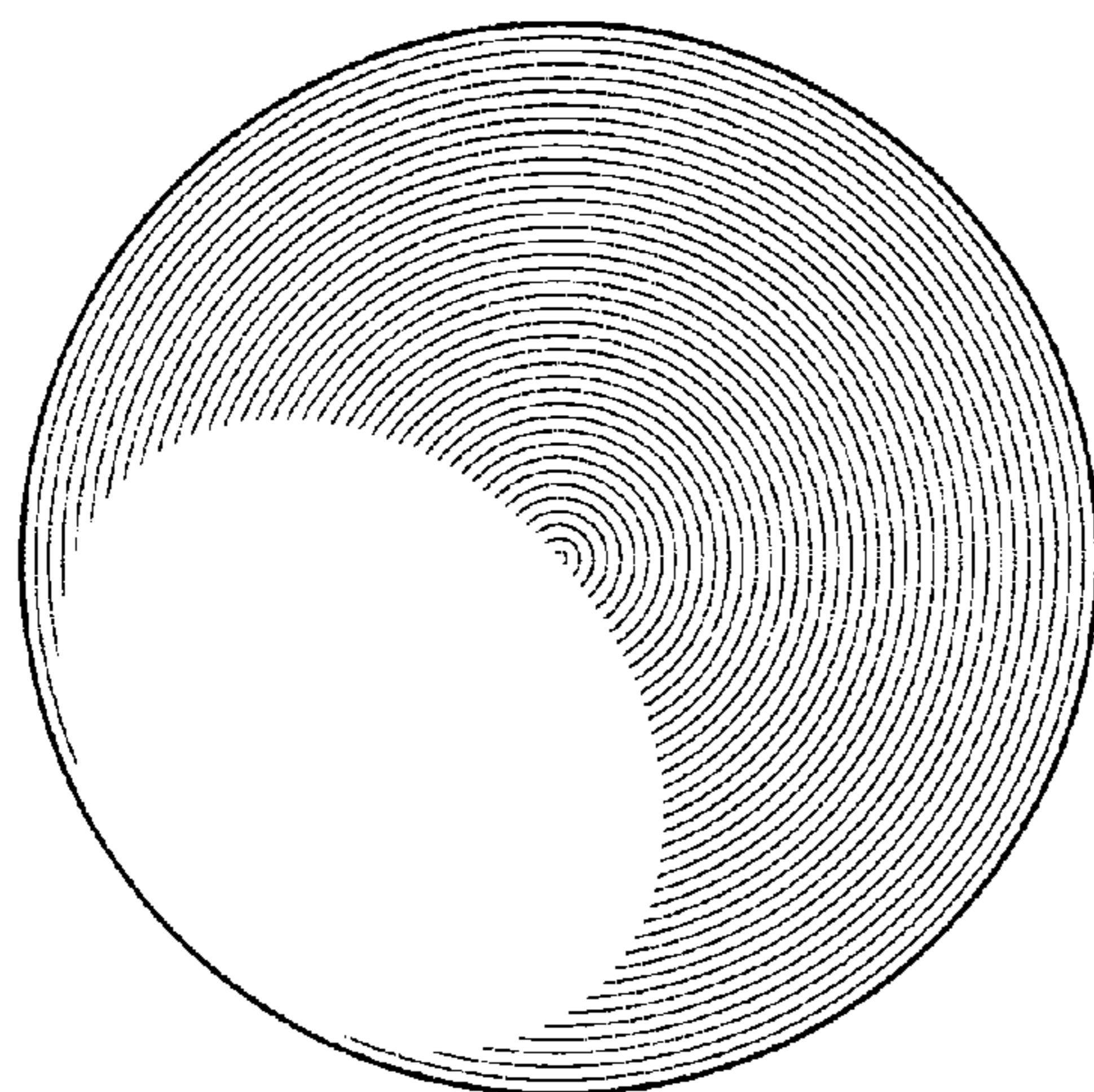
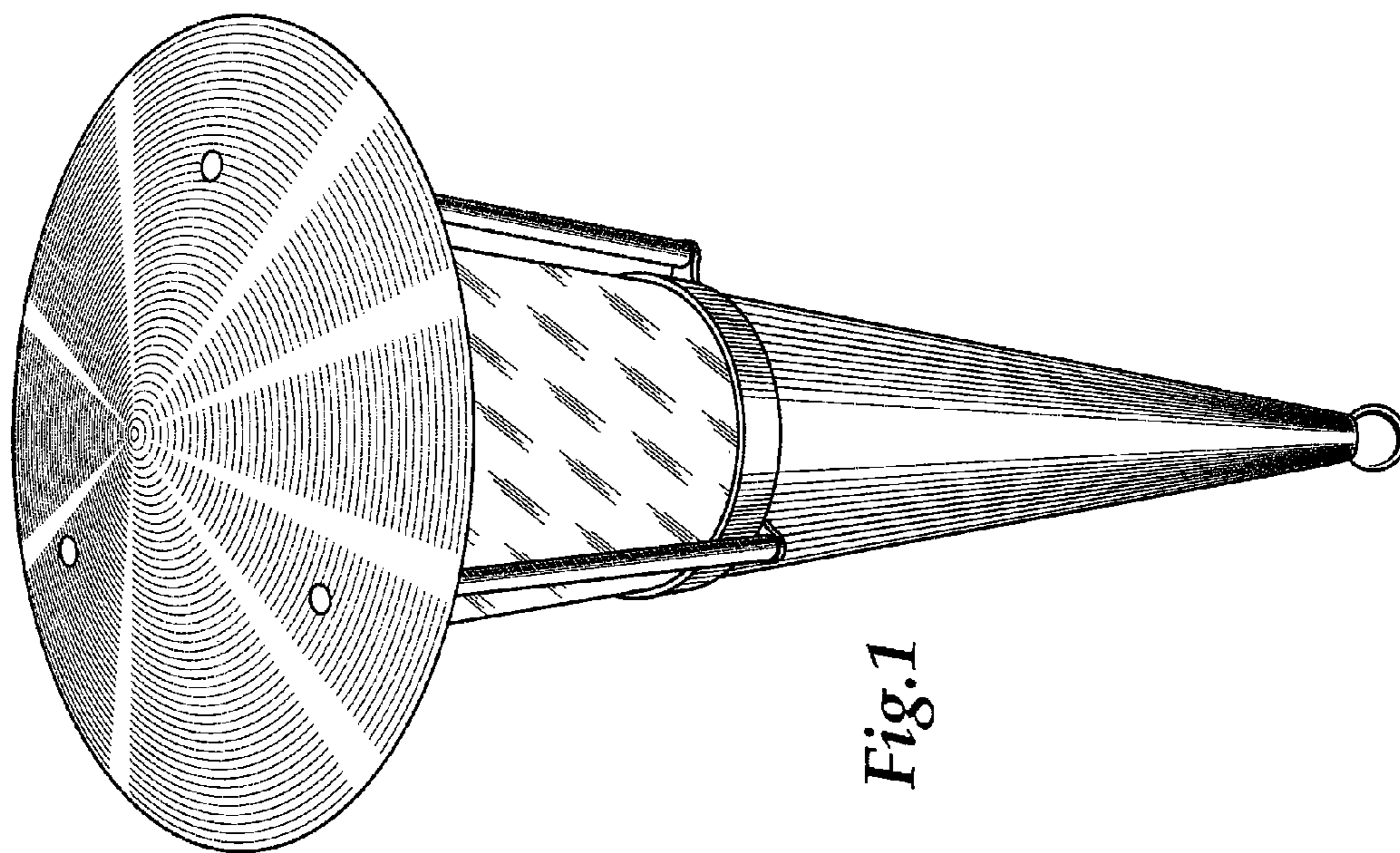
FIG. 4 is a front elevation view of the light fixture in accordance with my design;

FIG. 5 is a back elevation view of the light fixture in accordance with my design; and,

FIG. 6 is a side elevation view of the light fixture in accordance with my design, the opposite view being a mirror image of that shown.

1 Claim, 2 Drawing Sheets





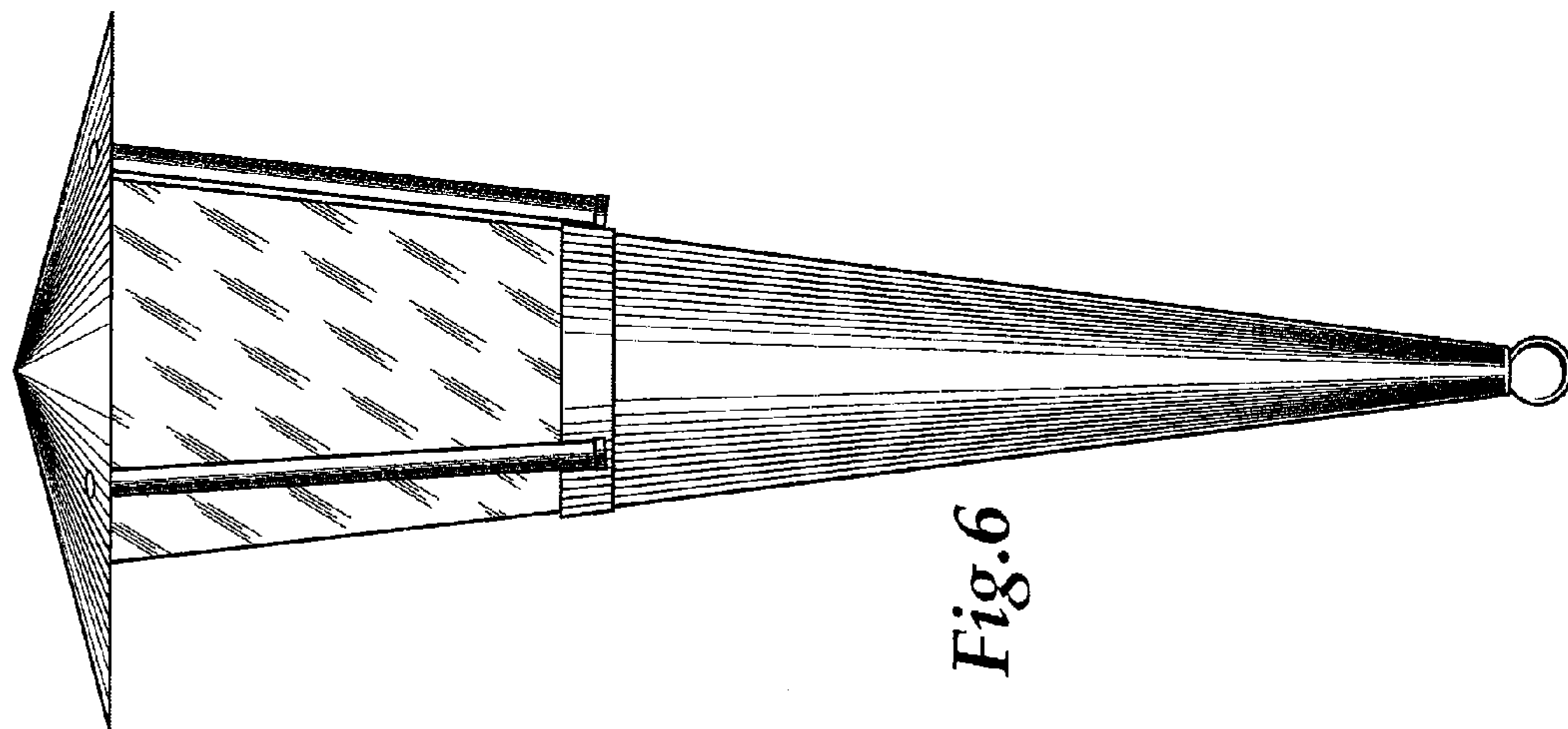


Fig.6

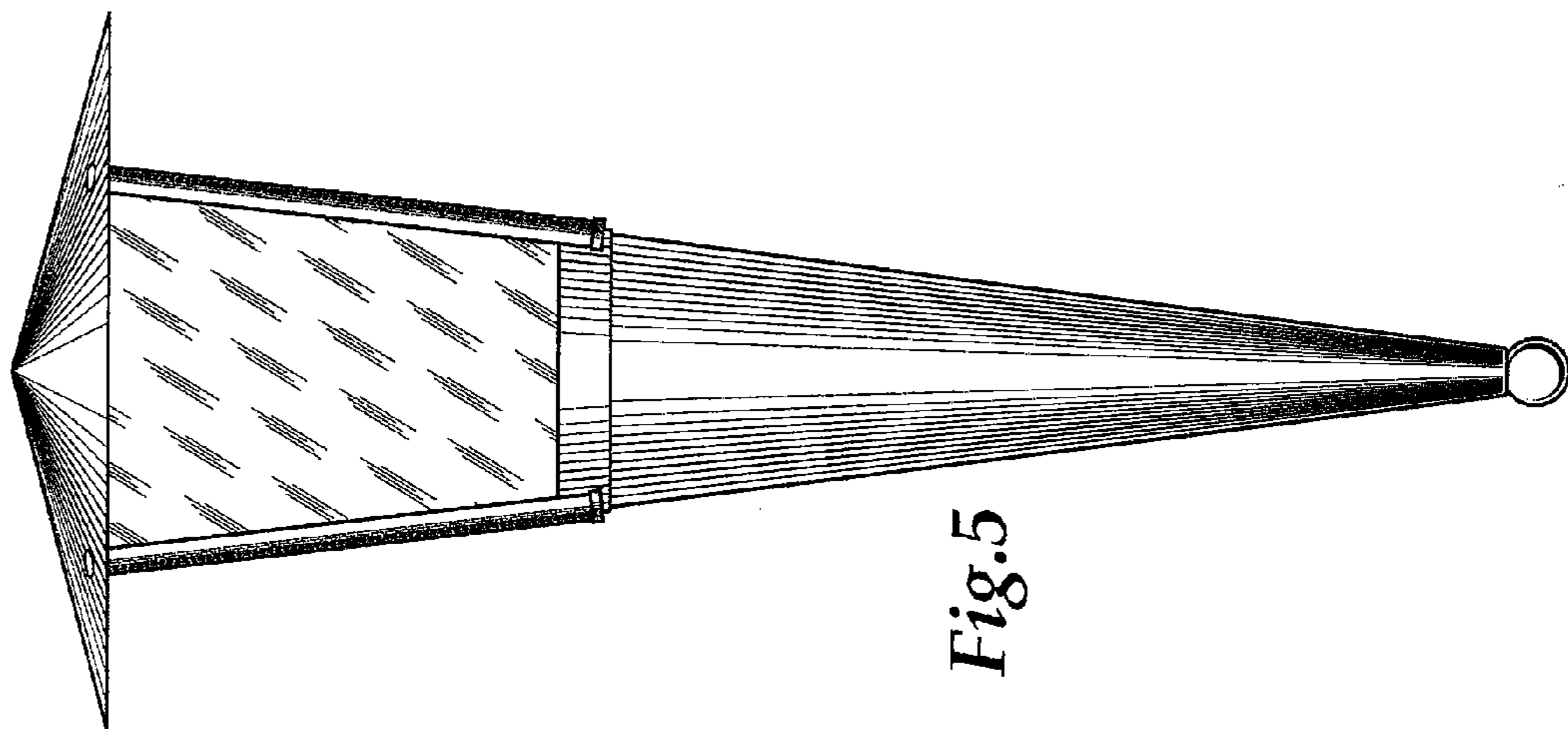


Fig.5

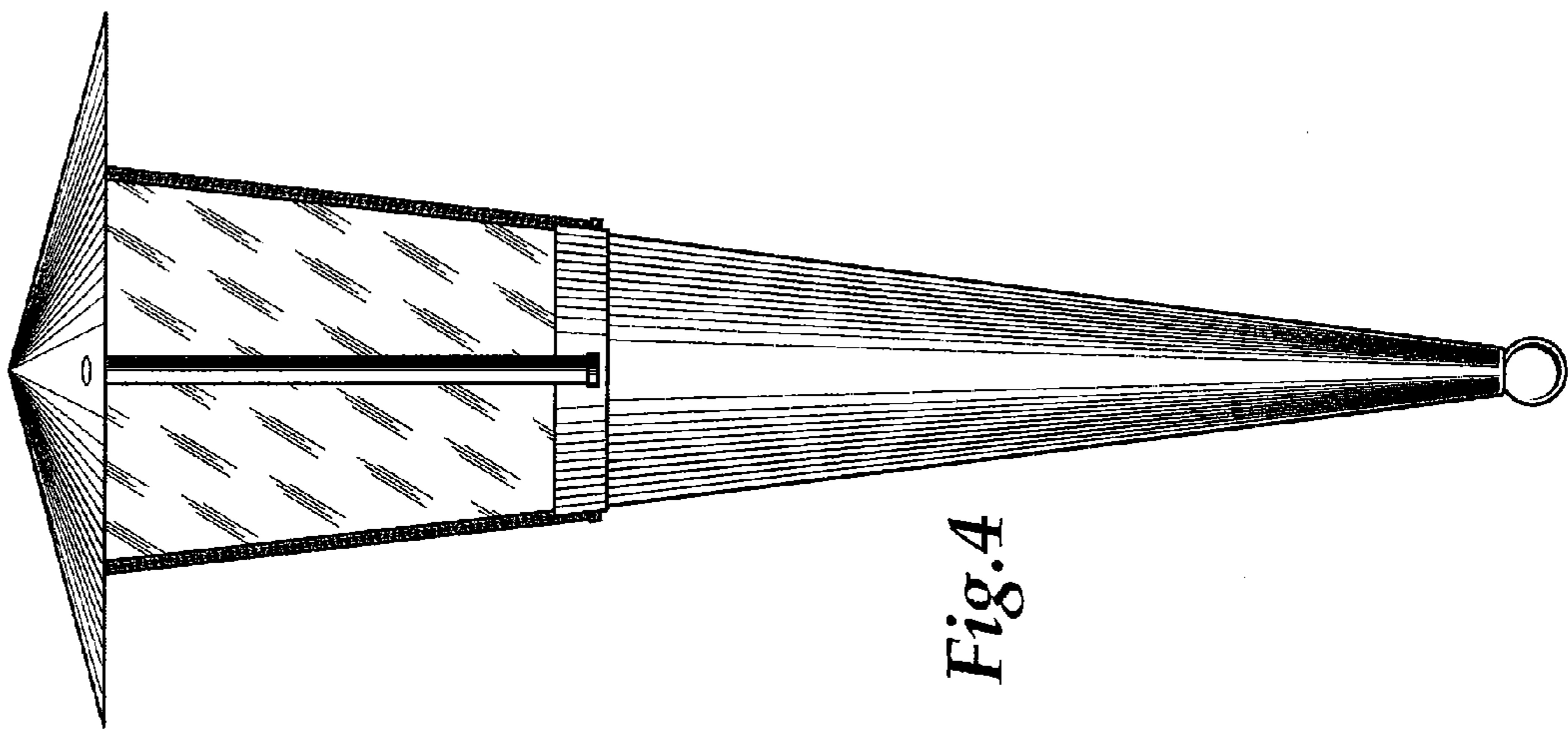


Fig.4