



US00D599936S

(12) **United States Design Patent**
Wang et al.

(10) **Patent No.:** **US D599,936 S**
(45) **Date of Patent:** **** Sep. 8, 2009**

(54) **LED LAMP**

(75) Inventors: **Zhong-Qing Wang**, Shenzhen (CN); **Li He**, Shenzhen (CN)

(73) Assignee: **Foxconn Technology Co., Ltd.**,
Tu-Cheng, Taipei Hsien (TW)

(**) Term: **14 Years**

(21) Appl. No.: **29/322,296**

(22) Filed: **Aug. 1, 2008**

(51) **LOC (9) Cl.** **26-05**

(52) **U.S. Cl.** **D26/67**

(58) **Field of Classification Search** D26/67-72,
D26/85; 362/183, 431, 152-153.1
See application file for complete search history.

(56) **References Cited**

U.S. PATENT DOCUMENTS

1,853,523	A *	4/1932	Titman	40/559
D323,904	S *	2/1992	Camino et al.	D26/67
5,528,474	A *	6/1996	Roney et al.	362/545
D423,707	S *	4/2000	Hammond	D26/67
D469,557	S *	1/2003	DiPasquale	D26/67
D529,216	S *	9/2006	Izardel	D26/67

7,261,452	B2 *	8/2007	Coushaine et al.	362/545
D573,288	S *	7/2008	Xu et al.	D26/67
D573,290	S *	7/2008	Shuai et al.	D26/67
D573,291	S *	7/2008	Zheng	D26/67
D578,694	S *	10/2008	Zeng et al.	D26/70
2004/0240226	A1 *	12/2004	Gross et al.	362/544

* cited by examiner

Primary Examiner—Clare E Heflin

(74) *Attorney, Agent, or Firm*—Frank R. Niranjana

(57) **CLAIM**

The ornamental design for an LED lamp, as shown.

DESCRIPTION

FIG. 1 is a perspective view of an LED lamp showing our new design.

FIG. 2 is a front elevational view thereof.

FIG. 3 is a rear elevational view thereof.

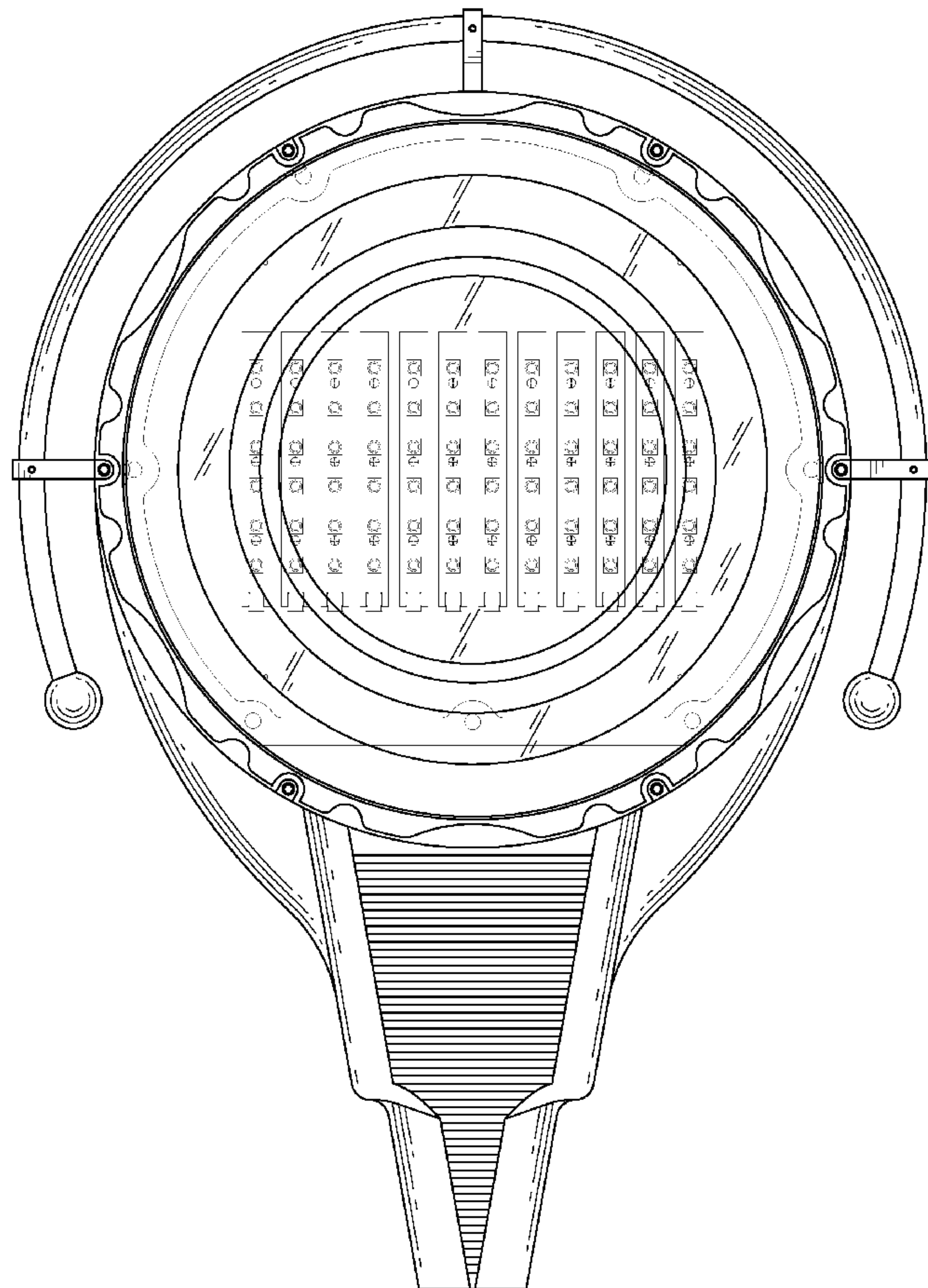
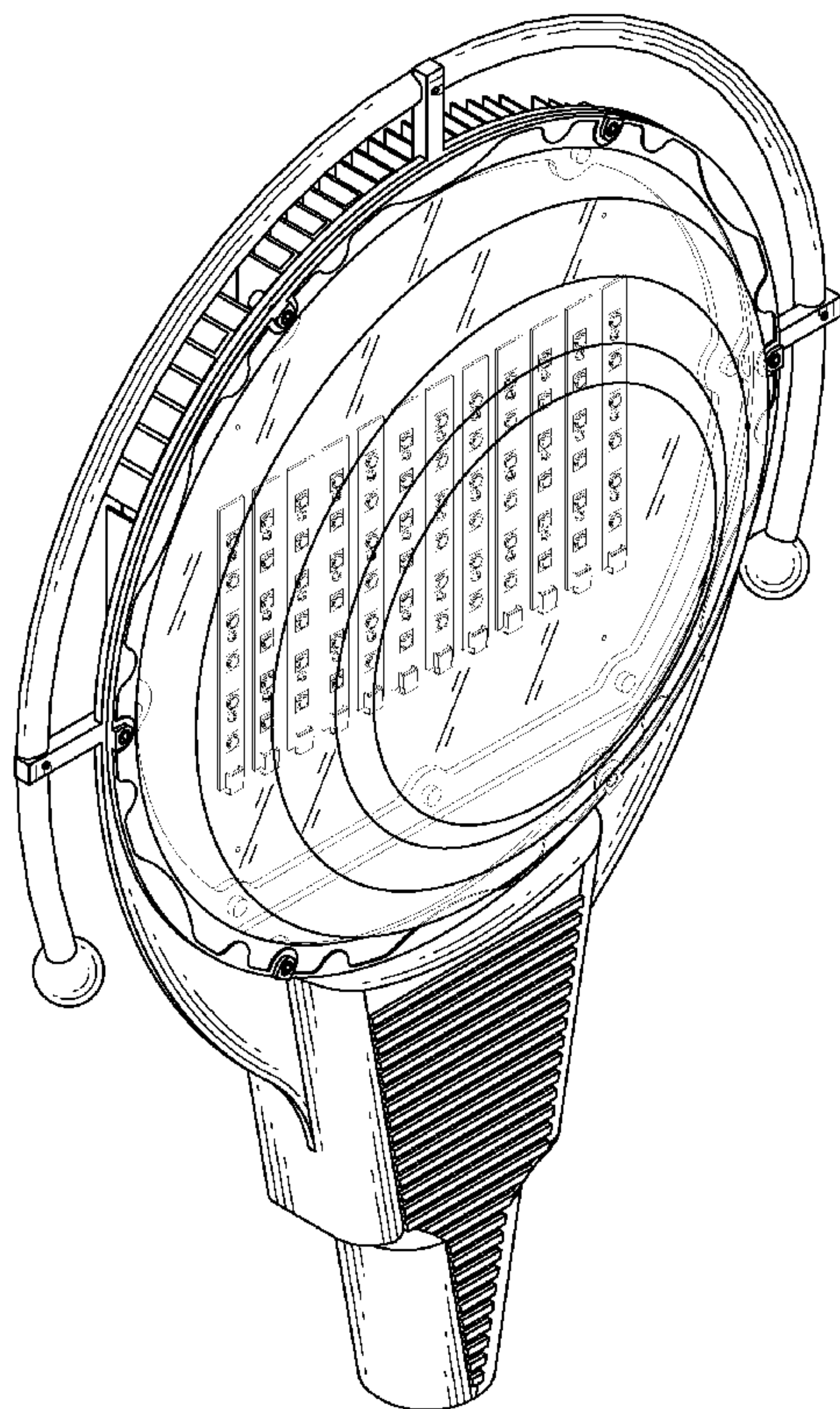
FIG. 4 is a left-side, elevational view thereof.

FIG. 5 is a right-side, elevational view thereof.

FIG. 6 is a top plan view thereof; and,

FIG. 7 is a bottom plan view thereof.

1 Claim, 7 Drawing Sheets



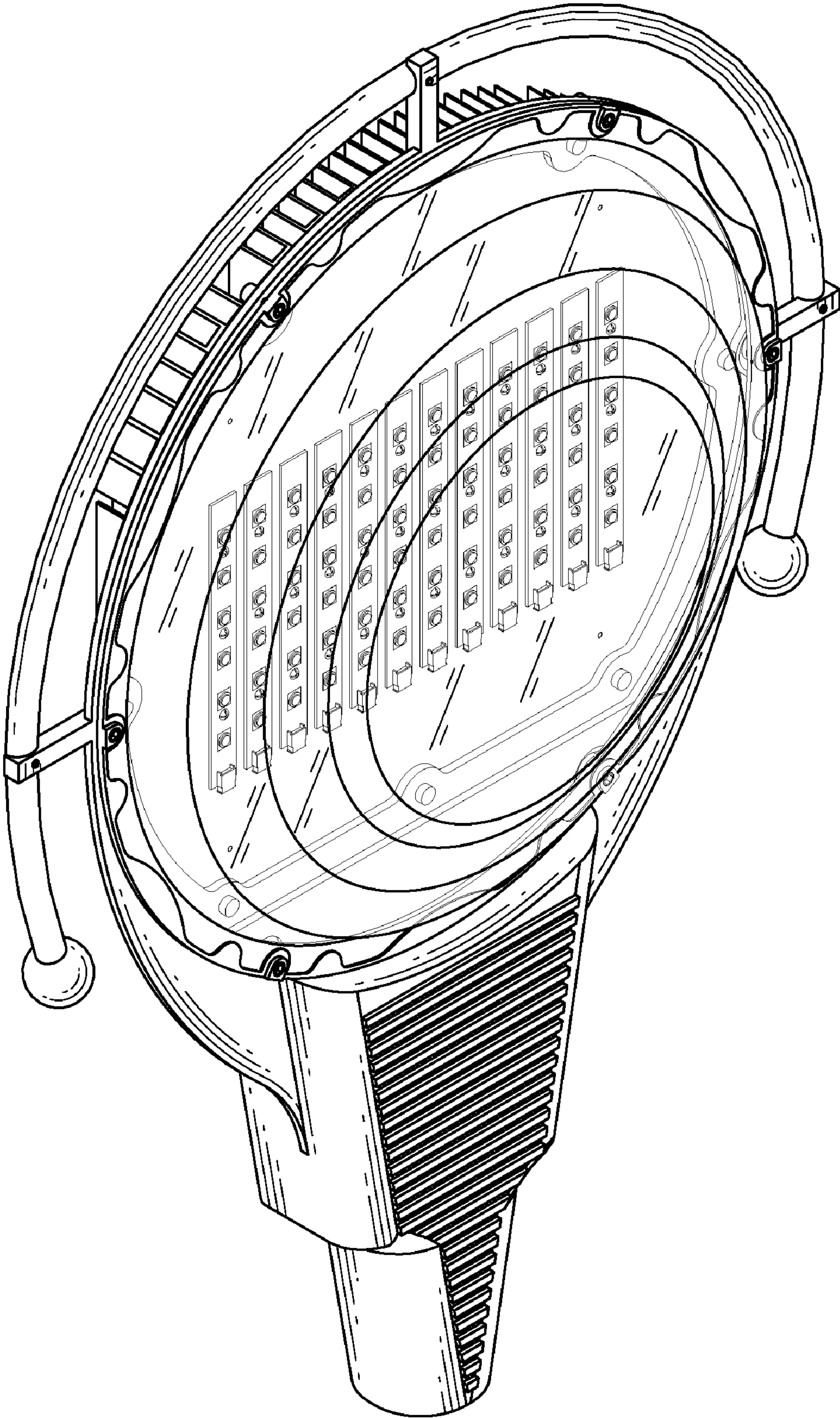


FIG. 1

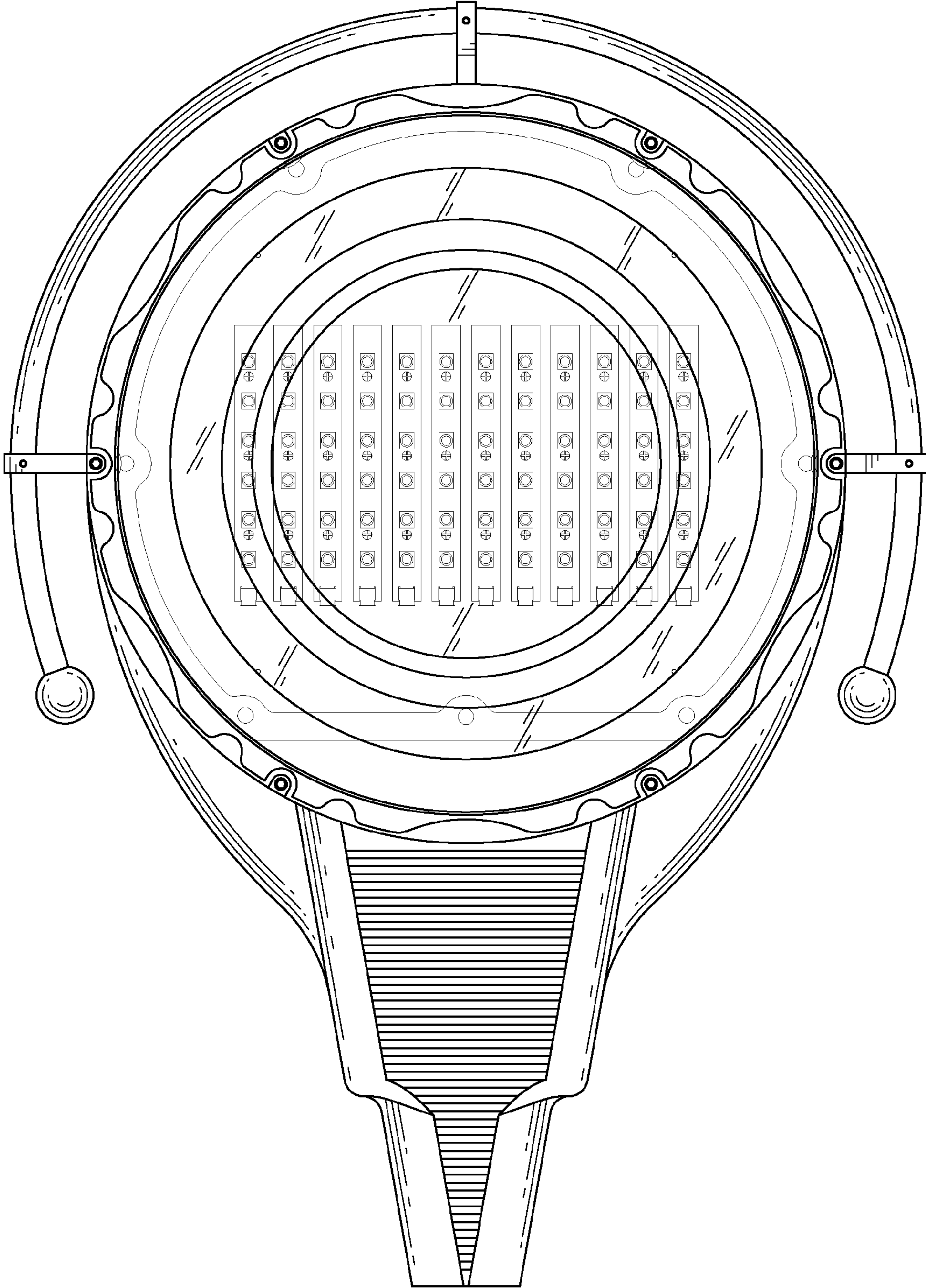


FIG. 2

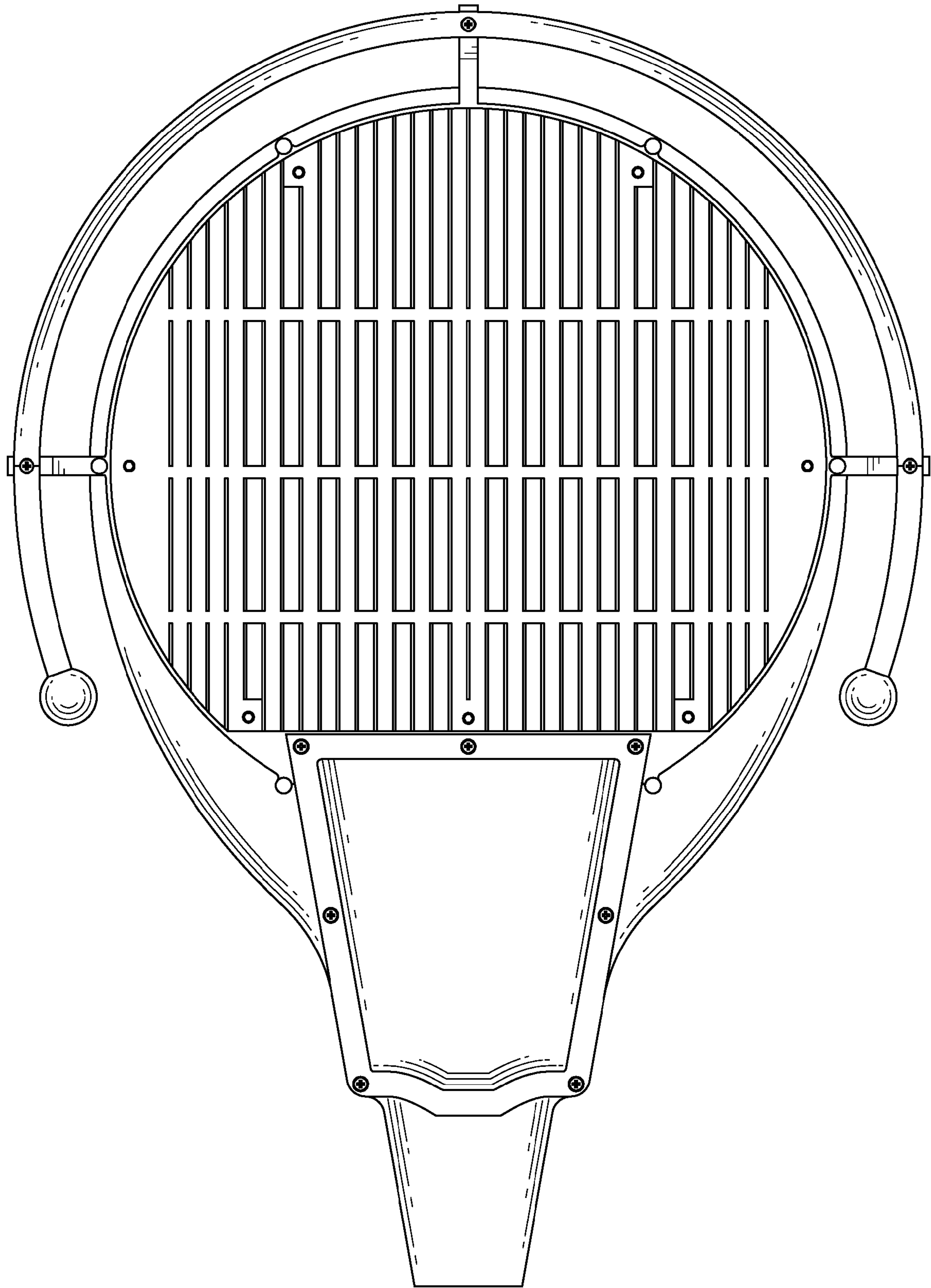


FIG. 3

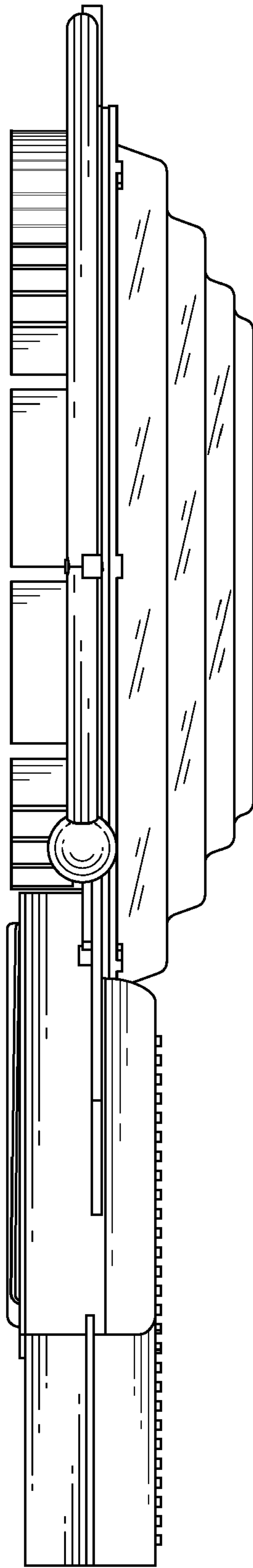


FIG. 4

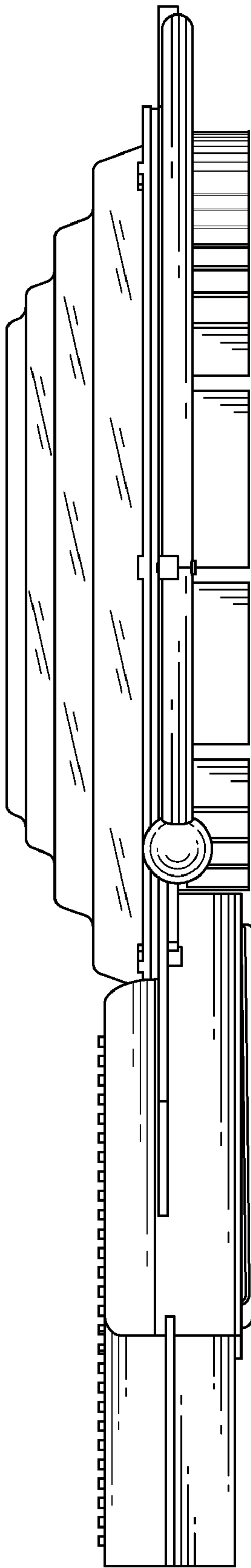


FIG. 5

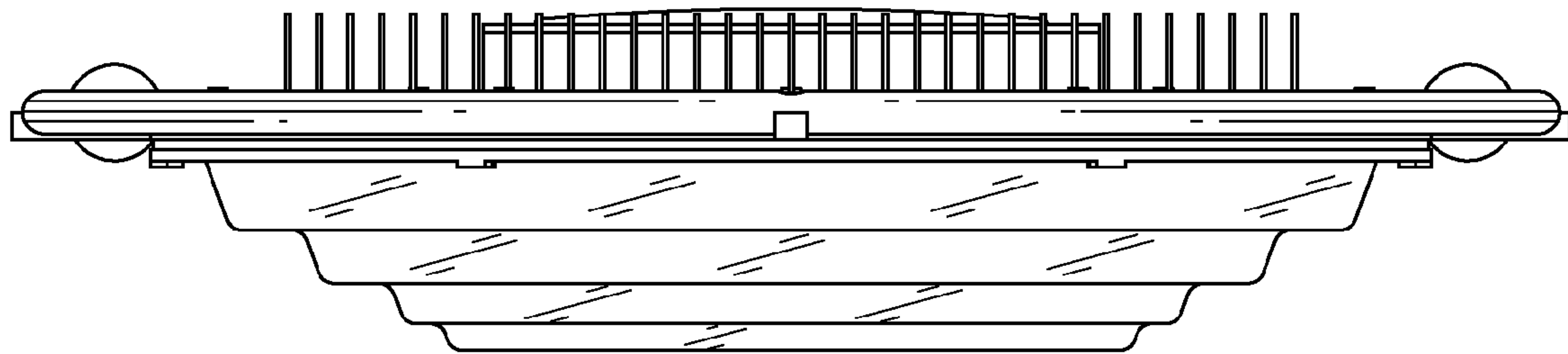


FIG. 6

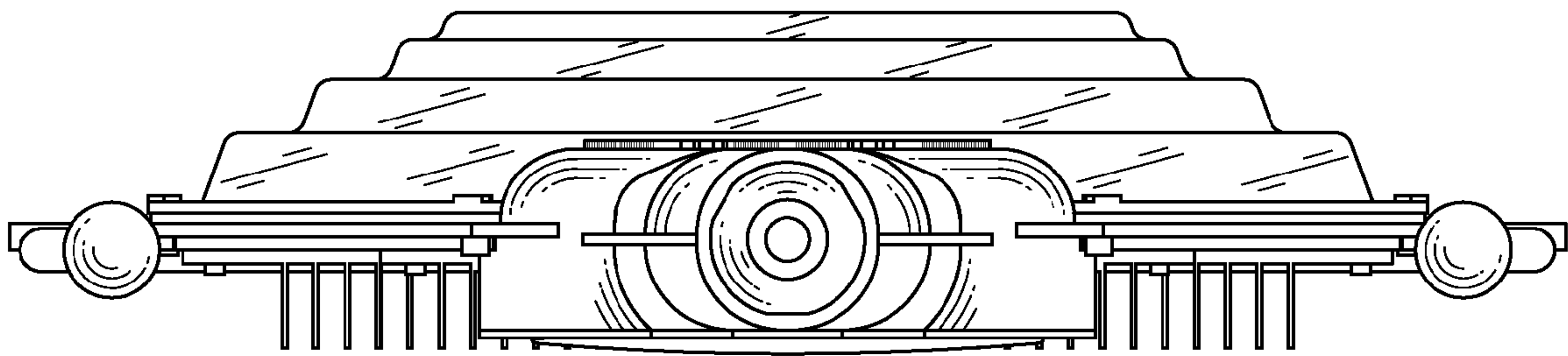


FIG. 7