

US00D599934S

(12) **United States Design Patent**
van Klinken

(10) **Patent No.:** **US D599,934 S**

(45) **Date of Patent:** **** Sep. 8, 2009**

(54) **LUMINAIRE**

(75) Inventor: **Dido van Klinken**, Eindhoven (NL)

(73) Assignee: **Koninklijke Philips Electronics N.V.**,
Eindhoven (NL)

(**) Term: **14 Years**

(21) Appl. No.: **29/318,978**

(22) Filed: **Jun. 2, 2008**

(51) **LOC (9) Cl.** **26-05**

(52) **U.S. Cl.** **D26/67**

(58) **Field of Classification Search** D26/67-72,
D26/85; 362/183, 431, 152-153.1
See application file for complete search history.

(56) **References Cited**

U.S. PATENT DOCUMENTS

- D189,209 S * 11/1960 Harling D26/67
- D199,267 S * 9/1964 Harling D26/67
- D200,344 S * 2/1965 D'Ercoli D26/67

- D203,293 S * 12/1965 Pettengill D26/67
- D296,369 S * 6/1988 Harvey D26/67
- D444,253 S * 6/2001 Blanchard D26/67
- D473,333 S * 4/2003 Willmorth D26/67
- D563,586 S * 3/2008 Lee et al. D26/67

* cited by examiner

Primary Examiner—Clare E Heflin

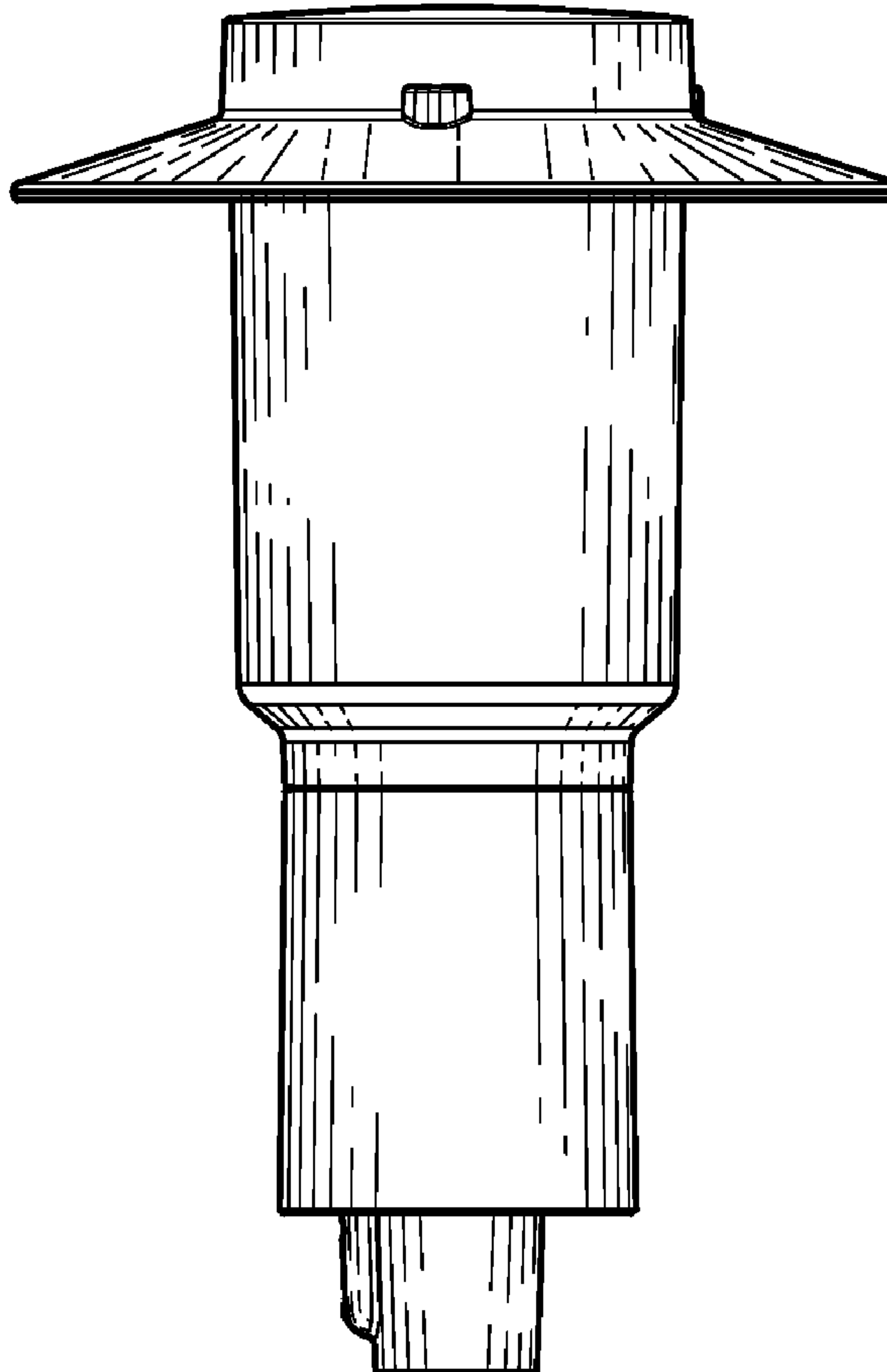
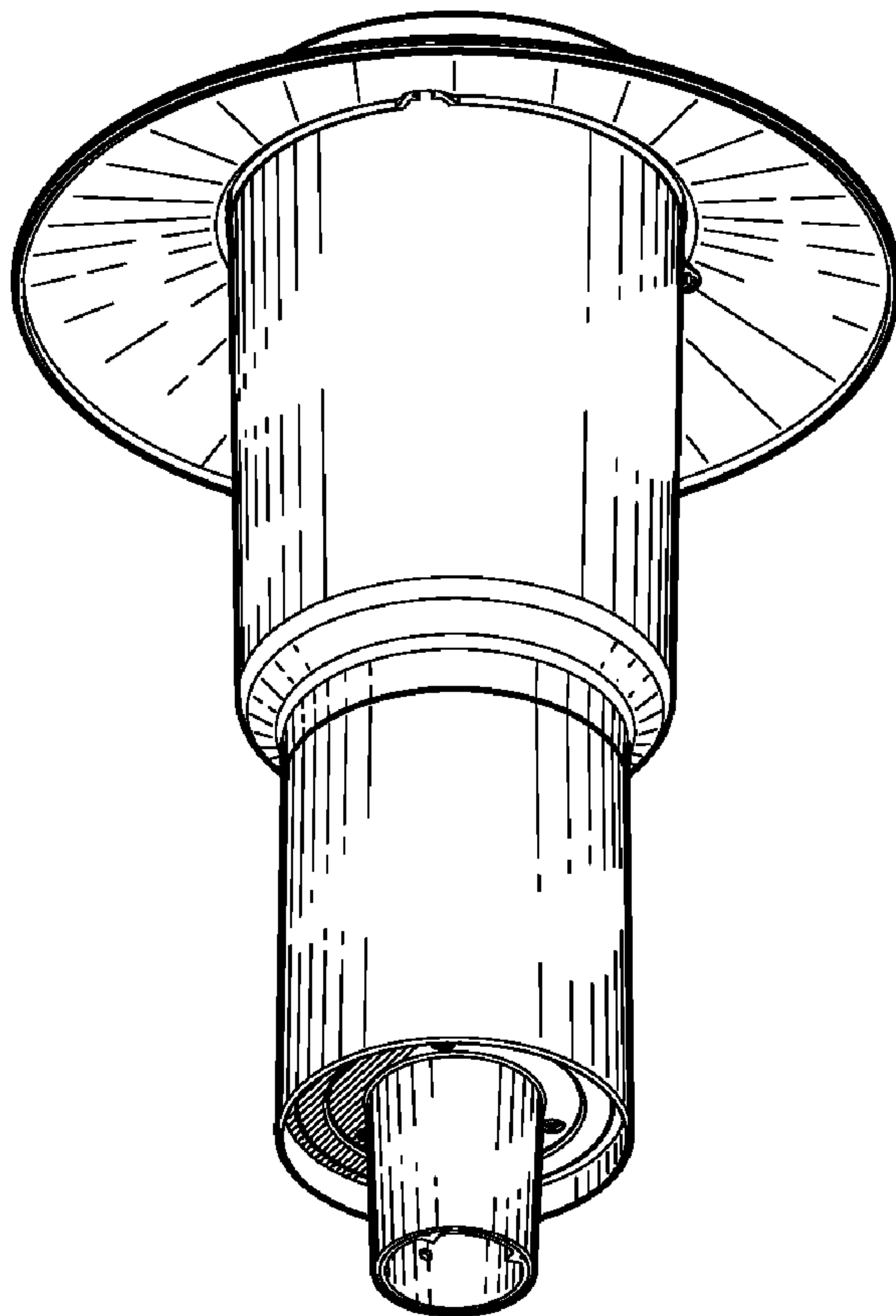
(57) **CLAIM**

The ornamental design for a luminaire, as shown.

DESCRIPTION

FIG. 1 is a perspective view showing my design;
 FIG. 2 is a front elevational view thereof;
 FIG. 3 is a rear elevational view thereof;
 FIG. 4 is a right side elevational view thereof;
 FIG. 5 is a left side elevational view thereof;
 FIG. 6 is a top plan view thereof; and,
 FIG. 7 is a bottom plan view thereof.

1 Claim, 4 Drawing Sheets



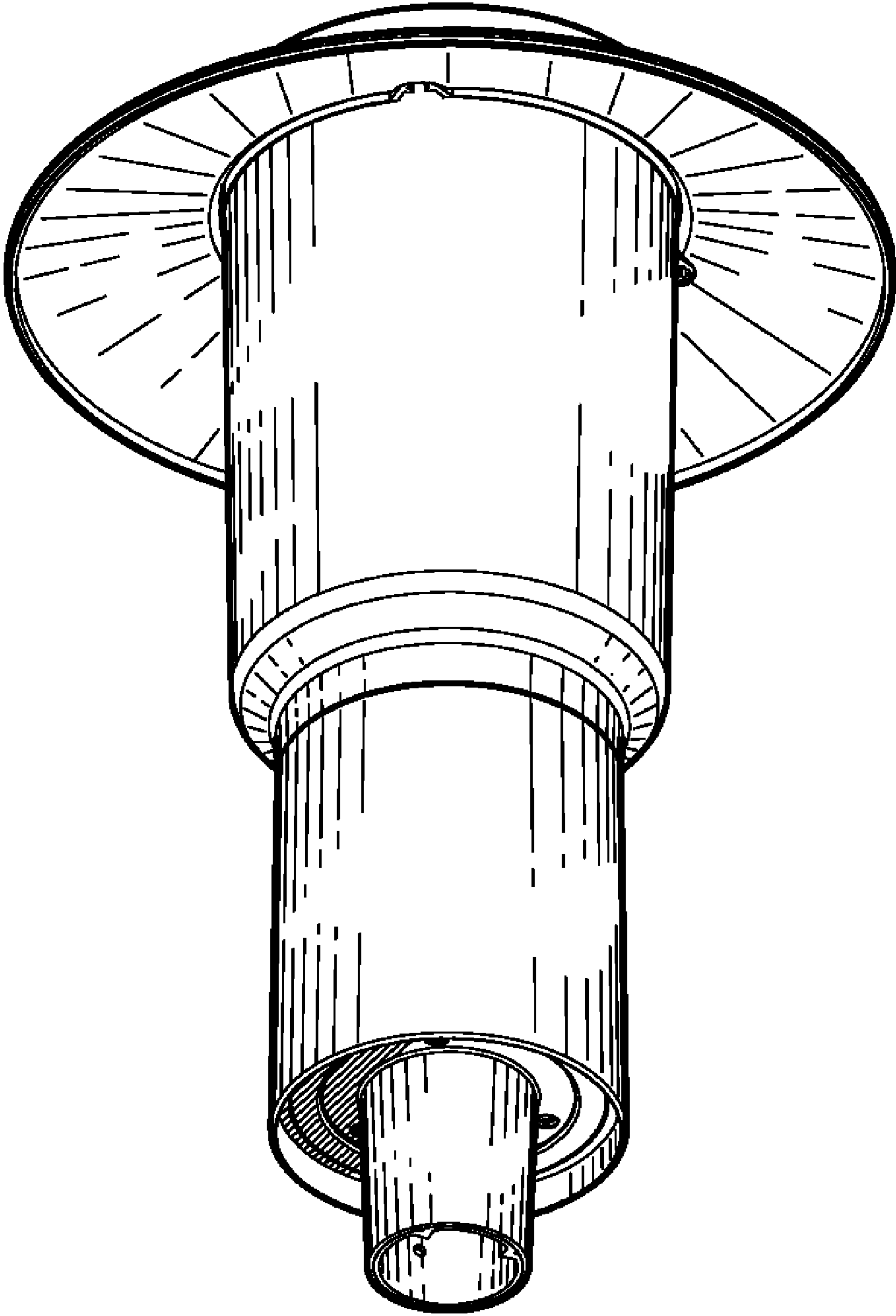


FIG.1

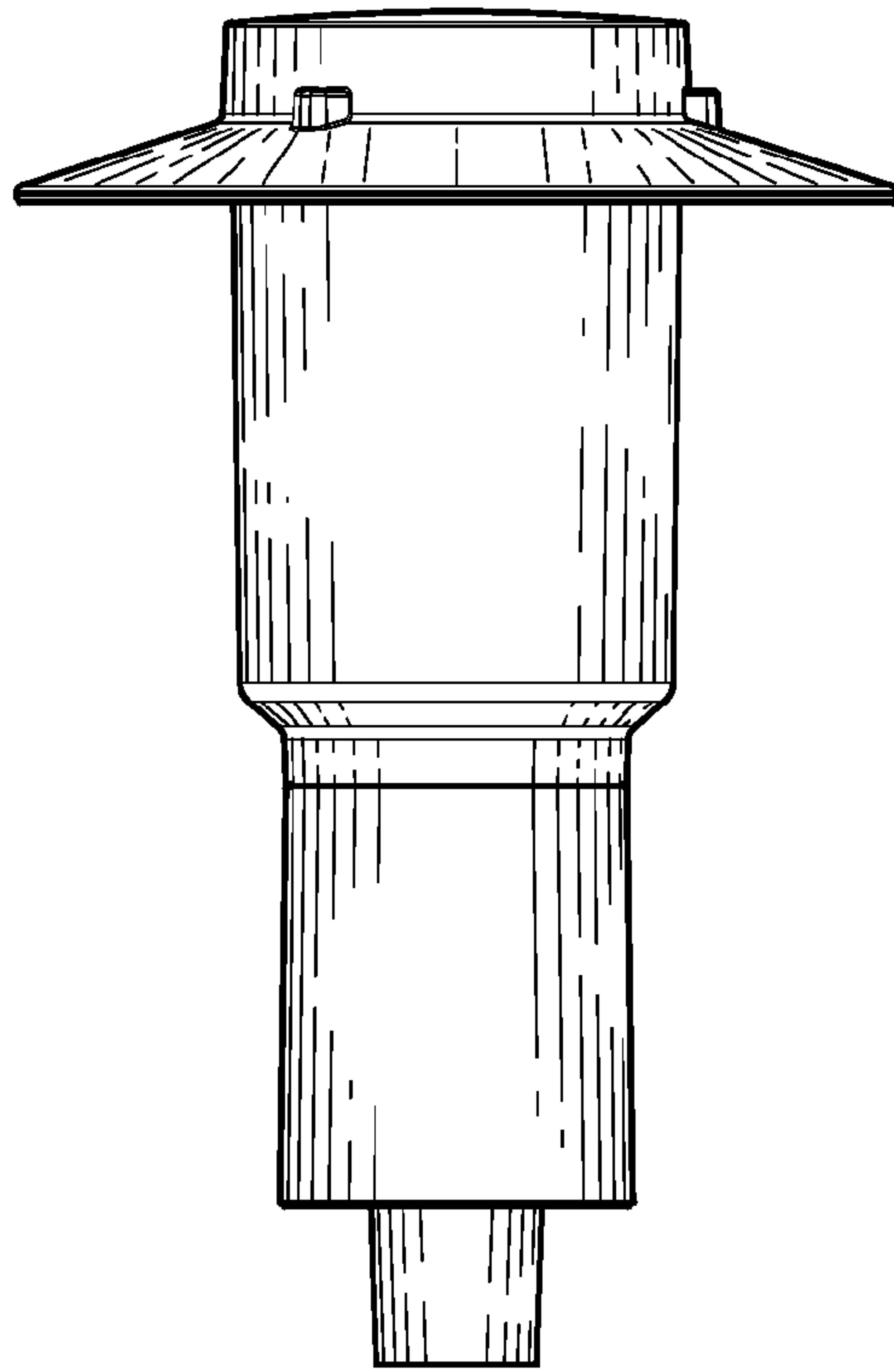


FIG. 2

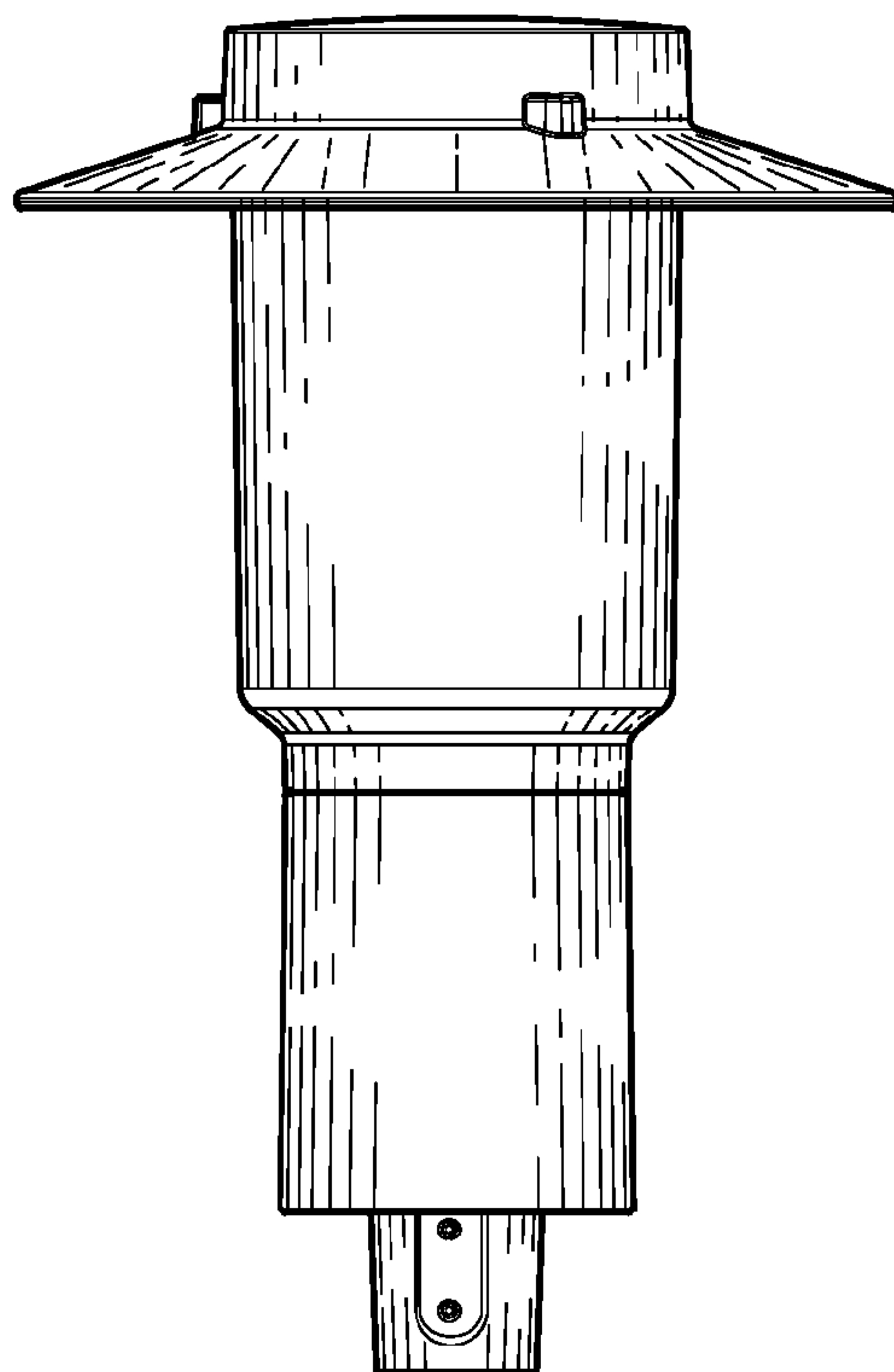


FIG. 3

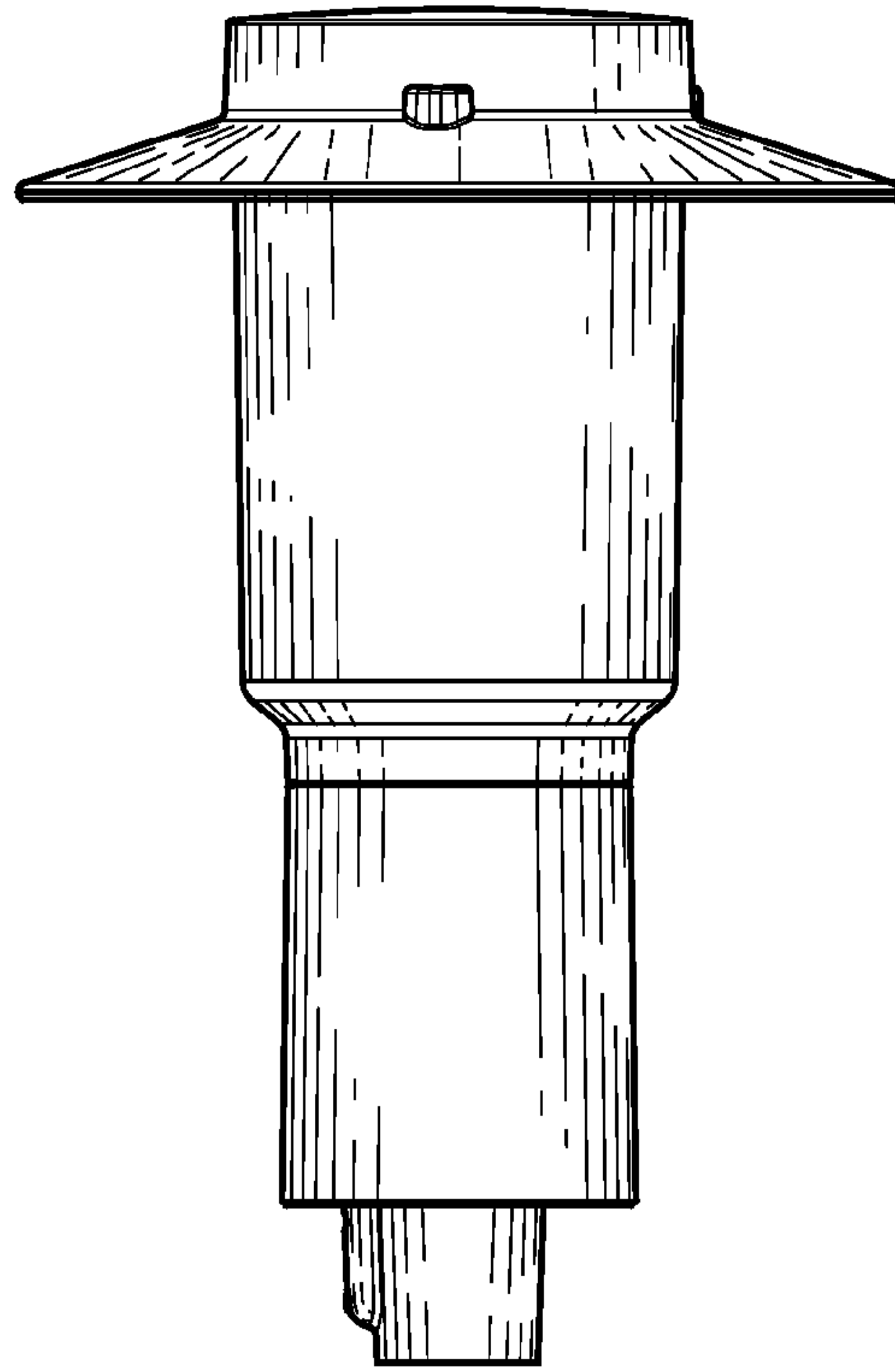


FIG. 4

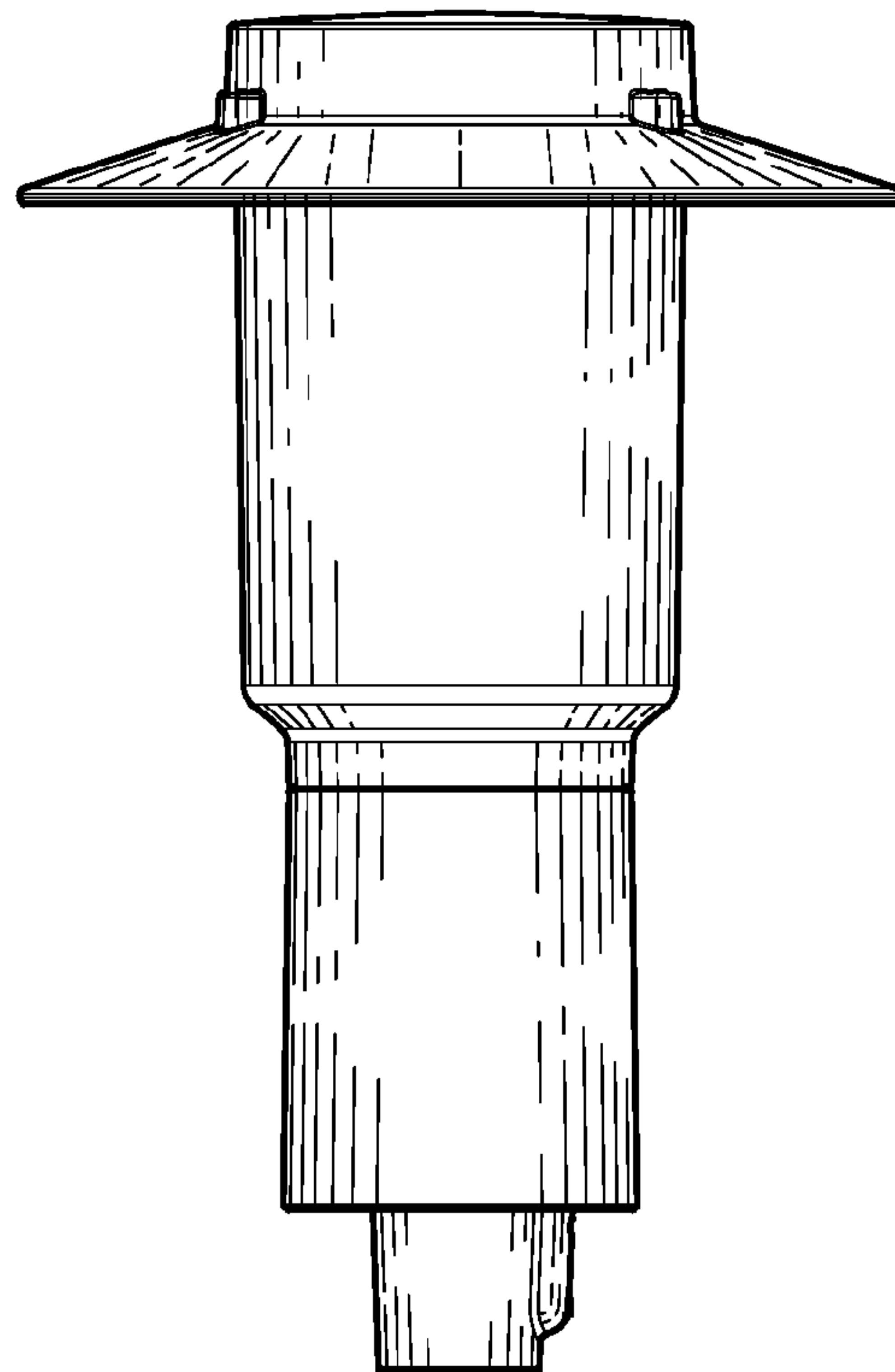


FIG. 5

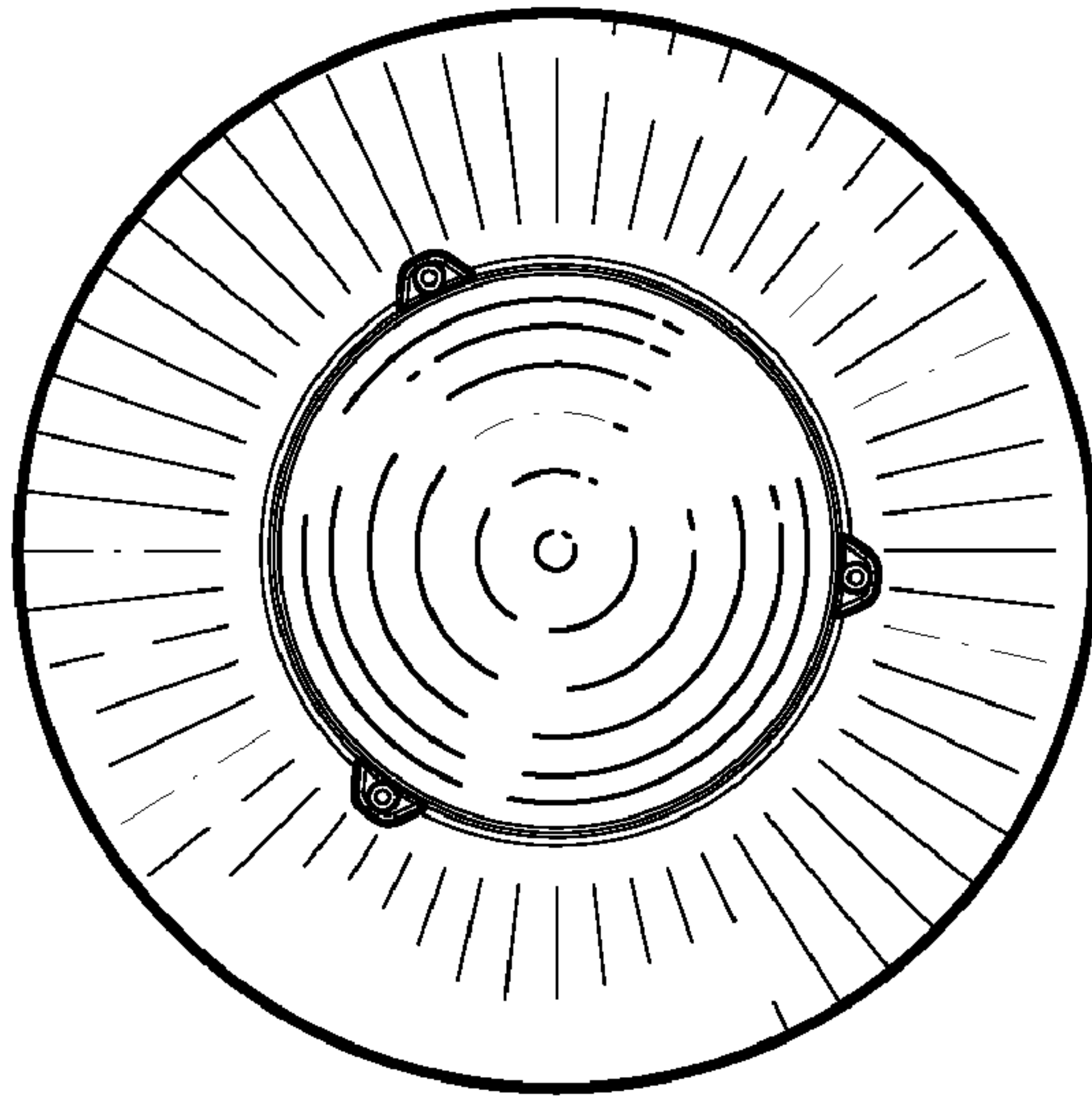


FIG. 6

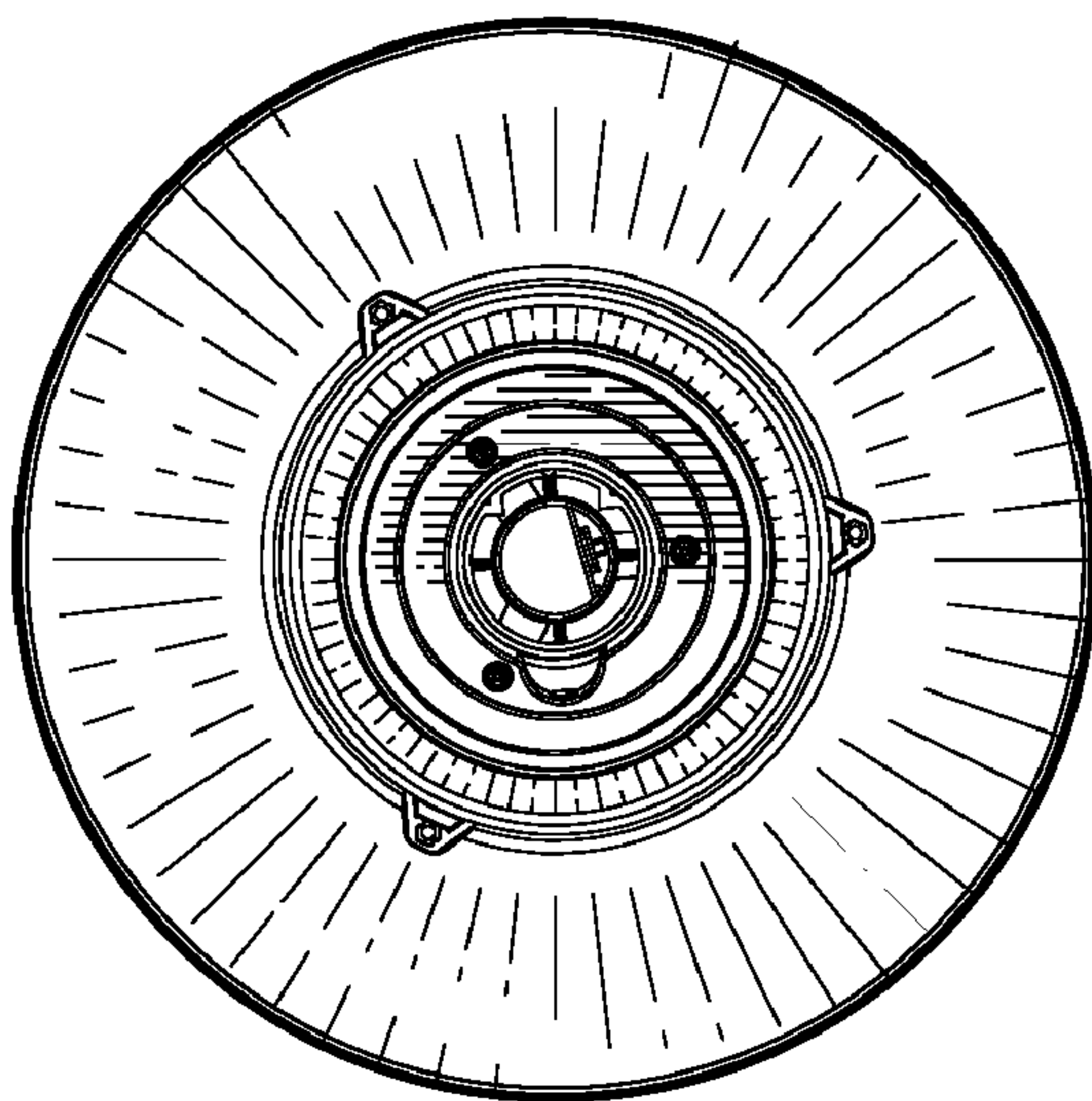


FIG. 7