



US00D599932S

(12) **United States Design Patent**  
**Van Klinken**

(10) **Patent No.:** **US D599,932 S**

(45) **Date of Patent:** **\*\* Sep. 8, 2009**

(54) **LUMINAIRE**

(75) Inventor: **Dido Van Klinken**, Eindhoven (NL)

(73) Assignee: **Koninklijke Philips Electronics N.V.**,  
Eindhoven (NL)

(\*\*) Term: **14 Years**

(21) Appl. No.: **29/318,976**

(22) Filed: **Jun. 2, 2008**

(51) **LOC (9) Cl.** ..... **26-05**

(52) **U.S. Cl.** ..... **D26/67**

(58) **Field of Classification Search** ..... D26/67-72,  
D26/85; 362/183, 431, 152-153.1  
See application file for complete search history.

(56) **References Cited**

**U.S. PATENT DOCUMENTS**

D189,209 S *	11/1960	Harling	.....	D26/67
D199,267 S *	9/1964	Harling et al.	.....	D26/67
D200,344 S *	2/1965	D'Ercoli	.....	D26/67
D203,293 S *	12/1965	Pettengill	.....	D26/67

D296,369 S *	6/1988	Harvey	.....	D26/67
D427,350 S *	6/2000	Landefeld	.....	D26/67
D444,253 S *	6/2001	Blanchard	.....	D26/67
D473,333 S *	4/2003	Willmorth	.....	D26/67
D563,586 S *	3/2008	Lee et al.	.....	D26/67

\* cited by examiner

*Primary Examiner*—Clare E Heflin

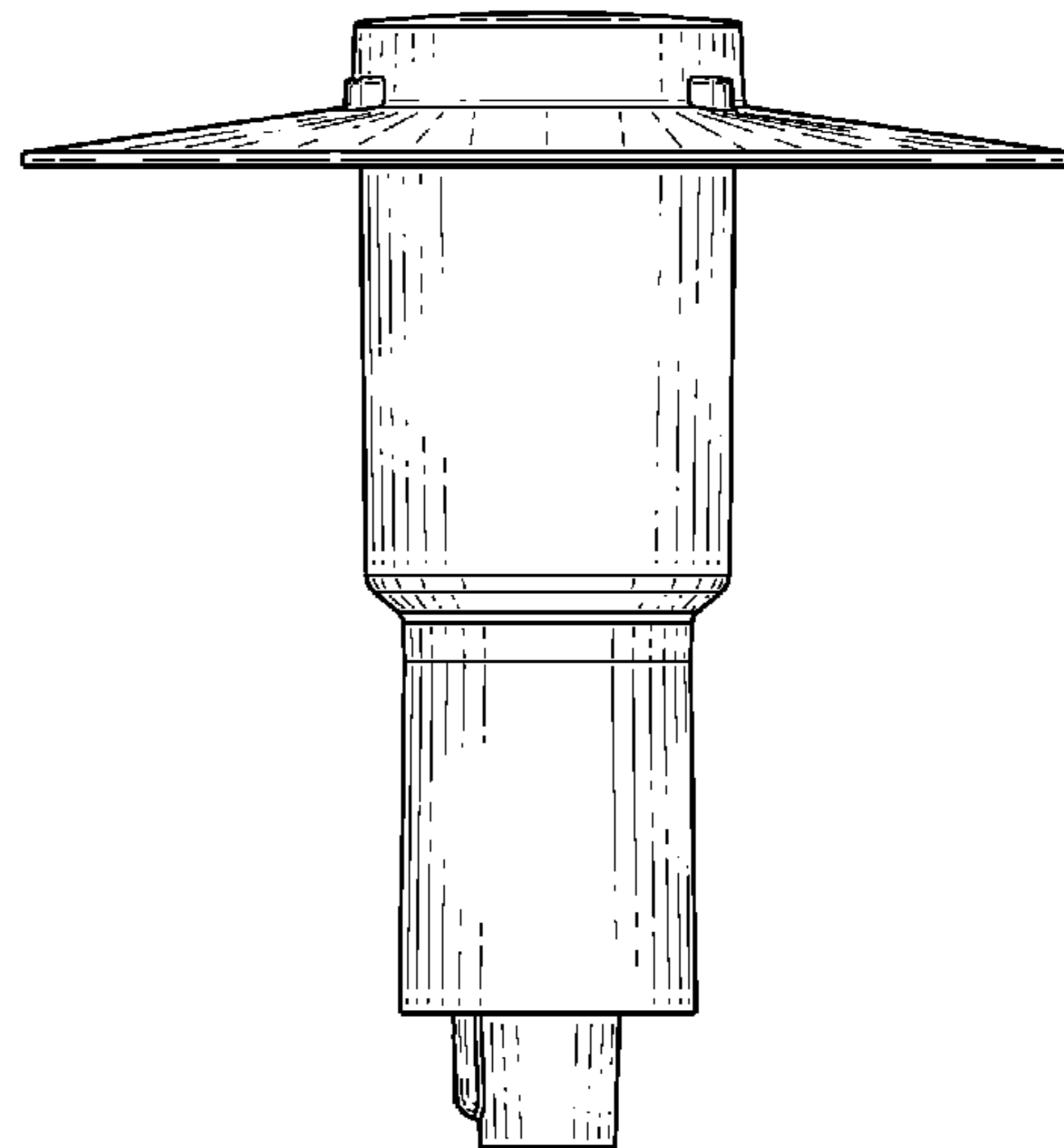
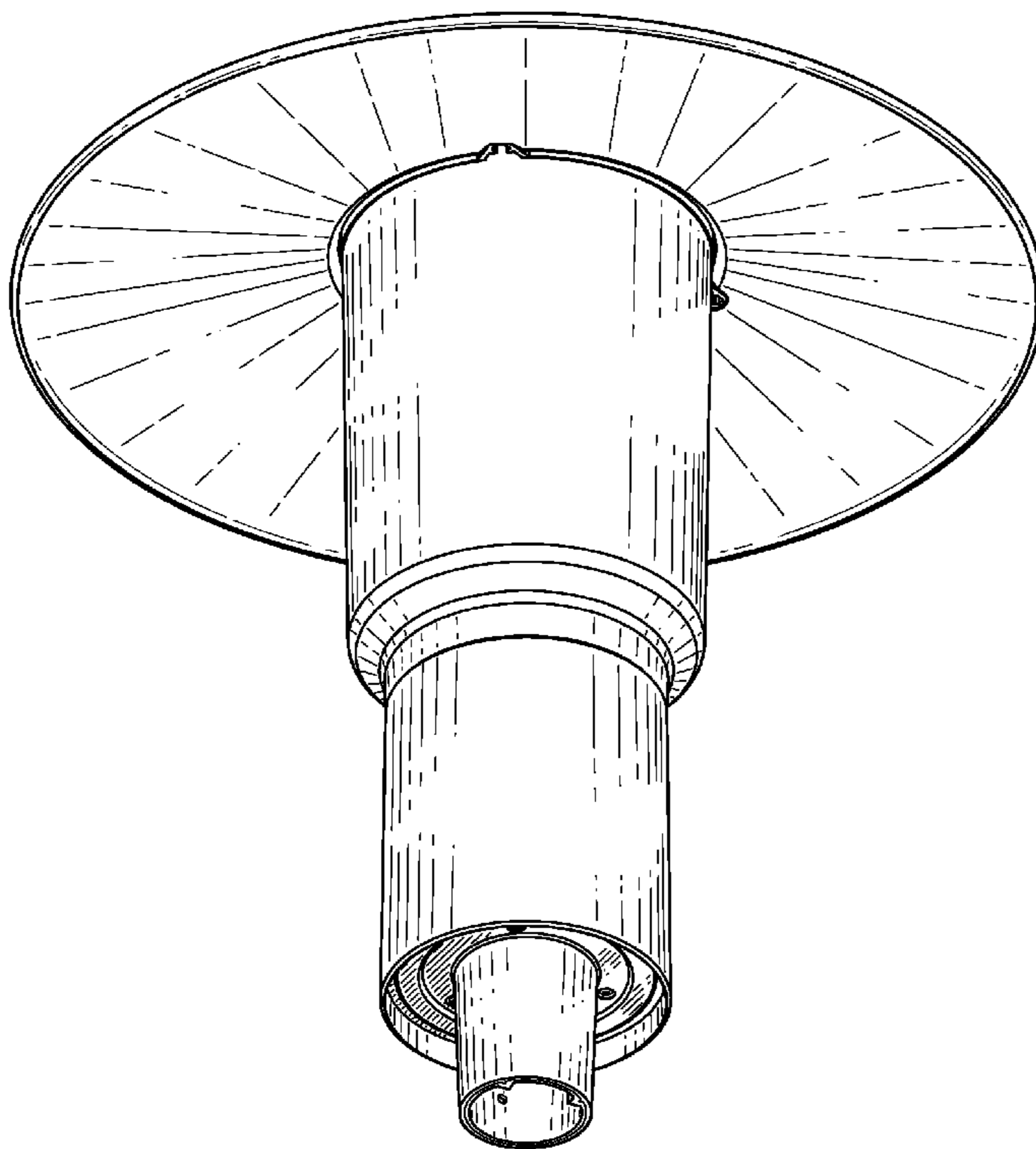
(57) **CLAIM**

The ornamental design for a luminaire, as shown.

**DESCRIPTION**

FIG. 1 is a perspective view showing my design;  
FIG. 2 is a front elevational view thereof;  
FIG. 3 is a rear elevational view thereof;  
FIG. 4 is a right side elevational view thereof;  
FIG. 5 is a left side elevational view thereof;  
FIG. 6 is a top plan view thereof; and,  
FIG. 7 is a bottom plan view thereof.

**1 Claim, 4 Drawing Sheets**



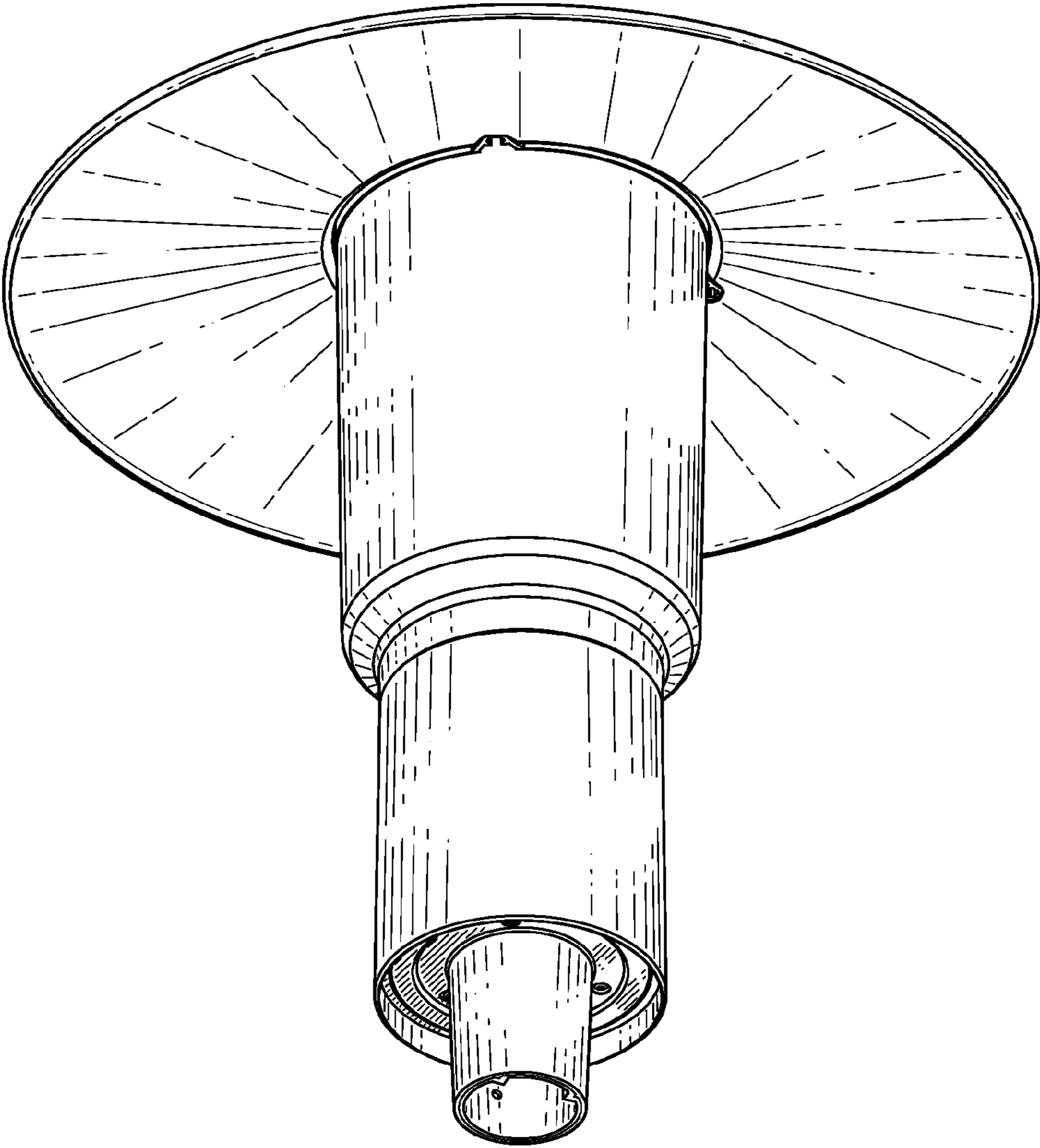


FIG. 1

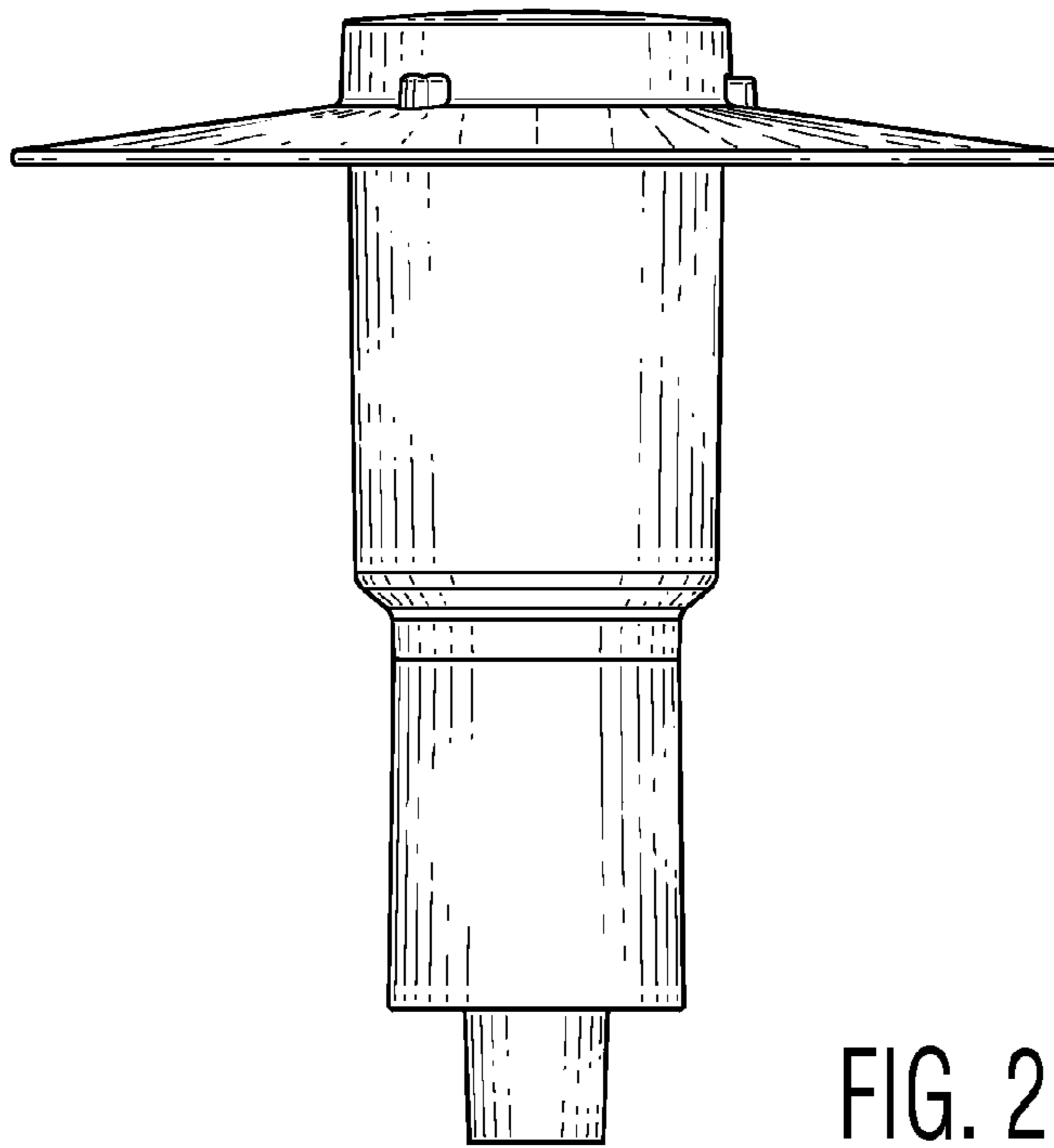


FIG. 2

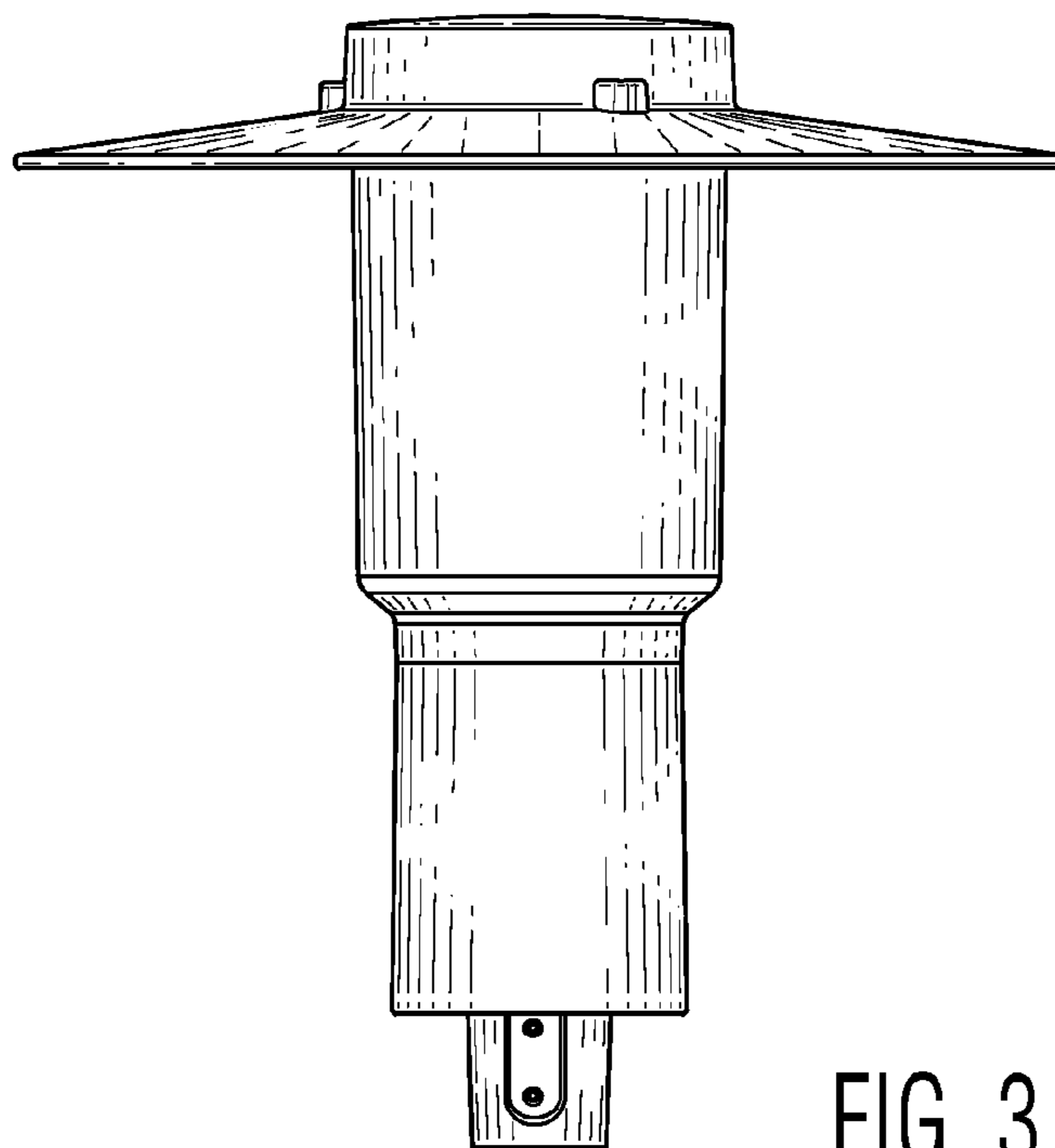


FIG. 3

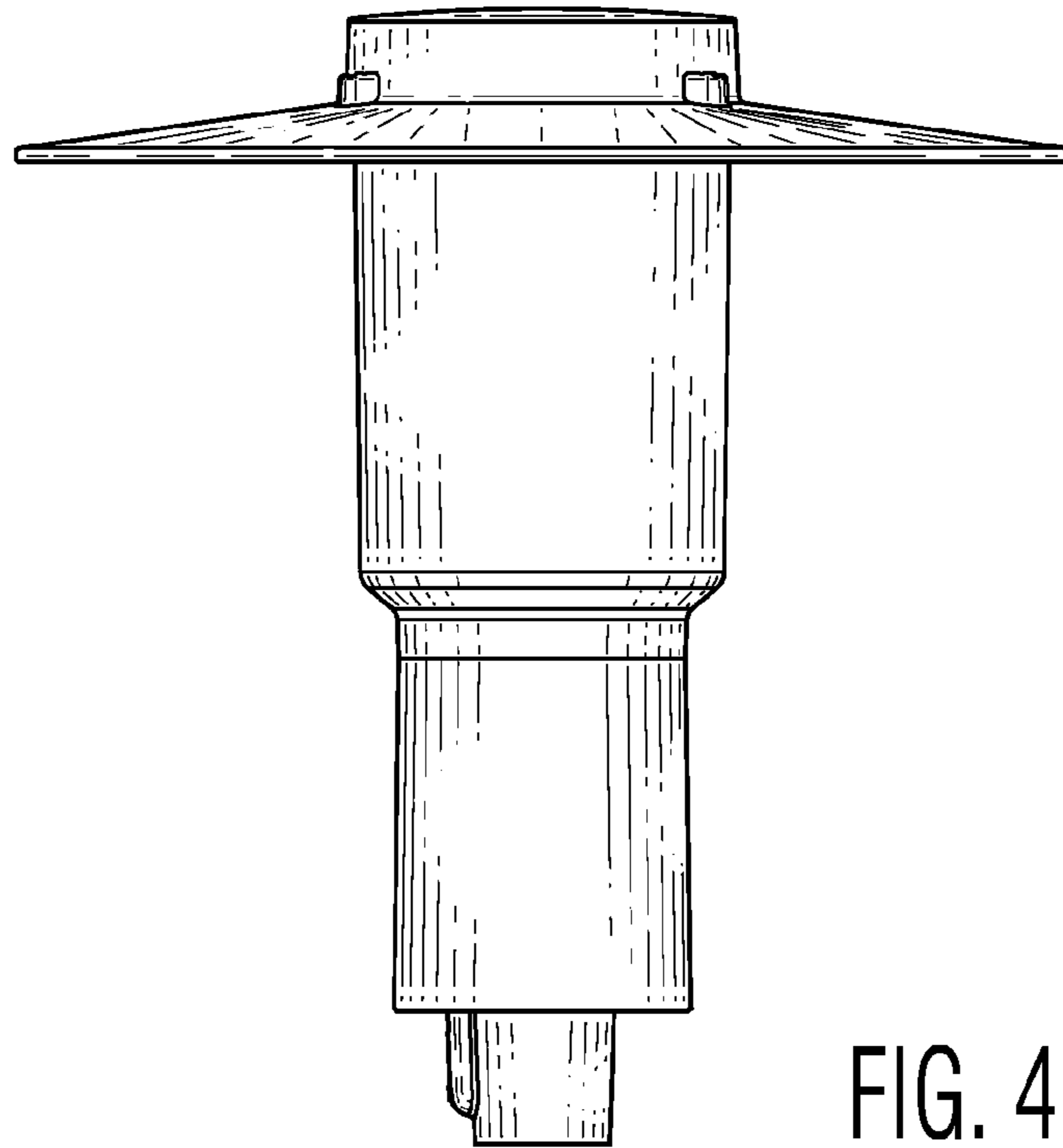


FIG. 4

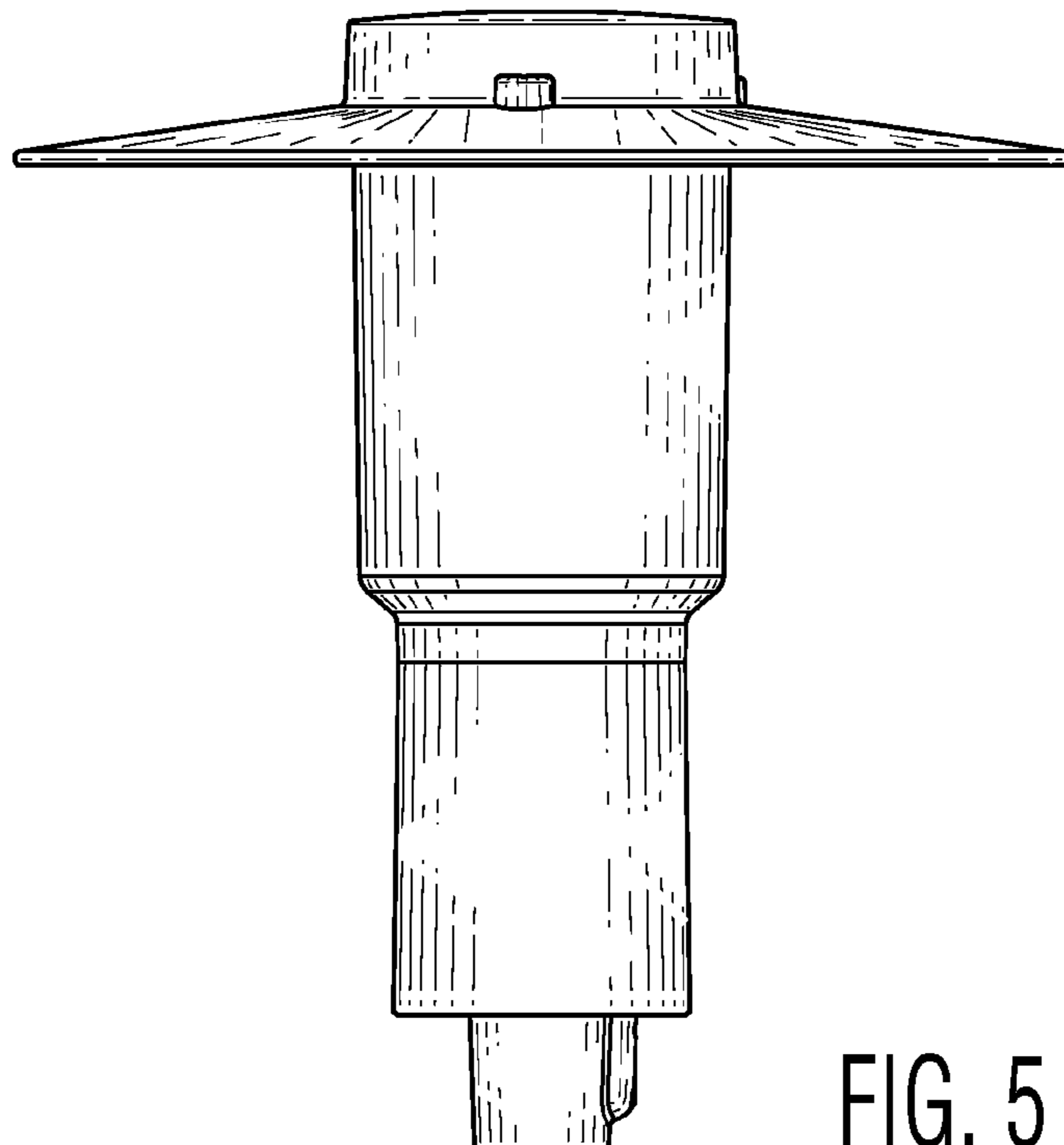


FIG. 5

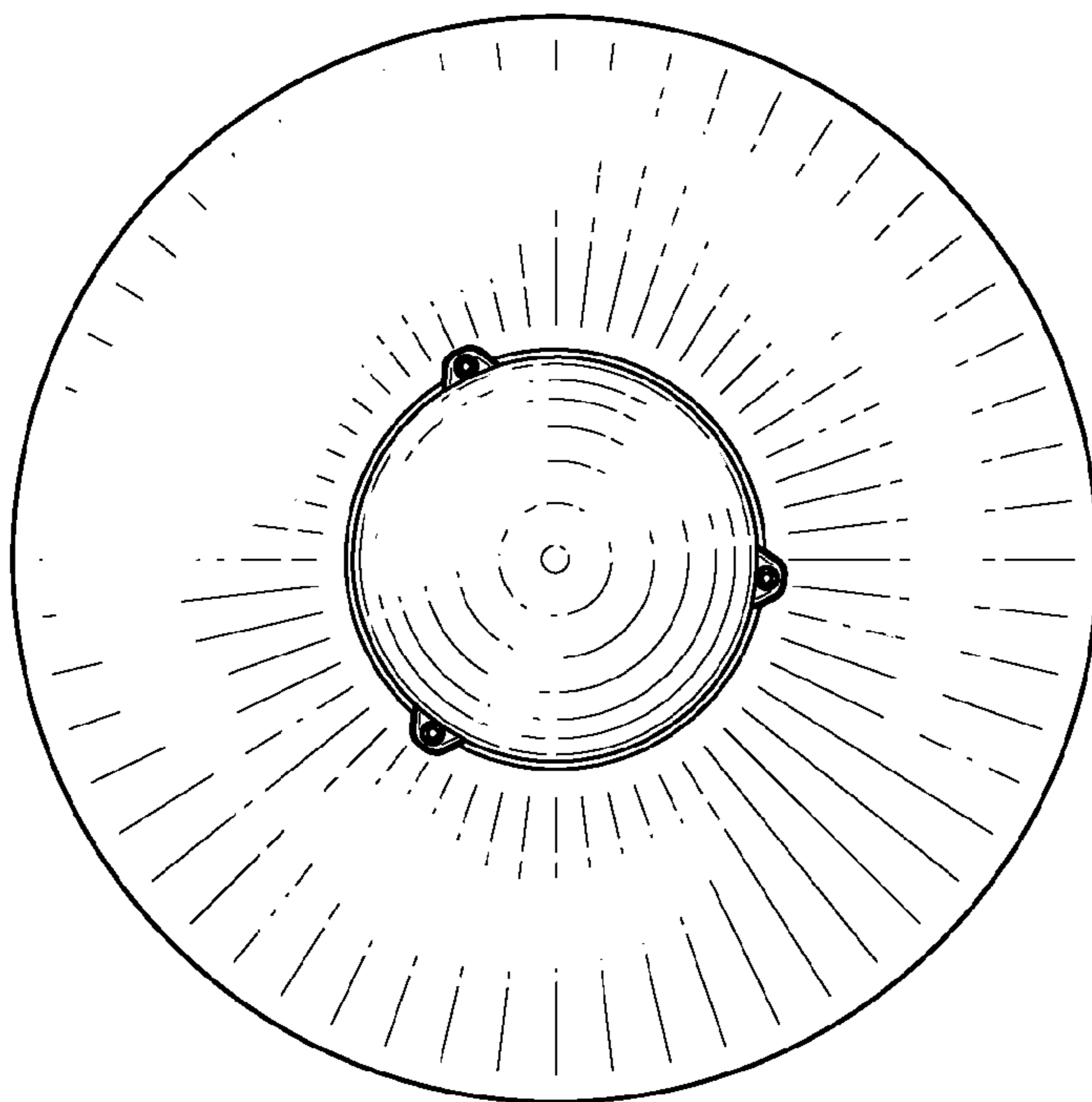


FIG. 6

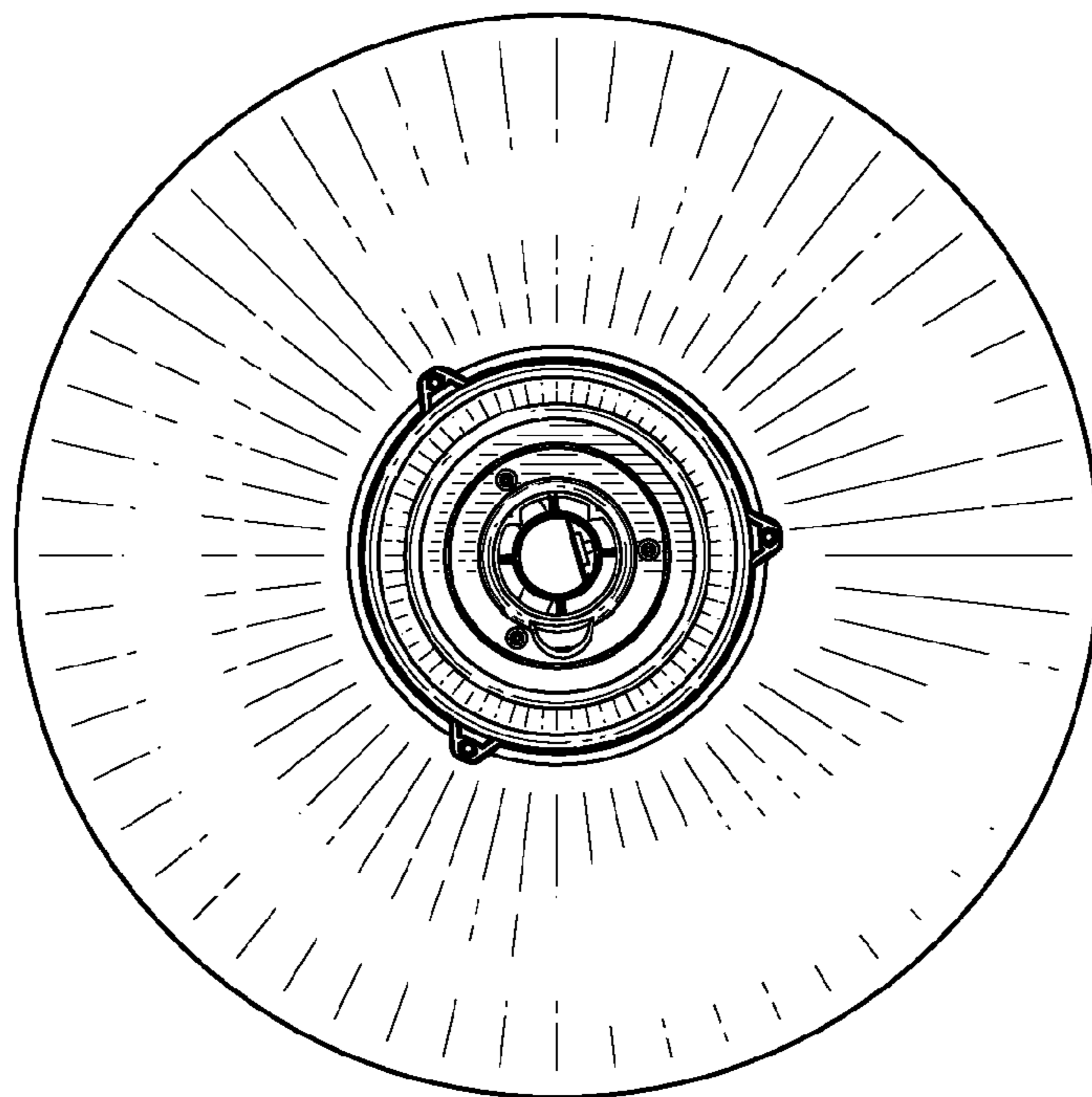


FIG. 7