



US00D599930S

(12) **United States Design Patent**  
**Huang**

(10) **Patent No.:** **US D599,930 S**

(45) **Date of Patent:** **\*\* Sep. 8, 2009**

(54) **TABLE LAMP**

(76) Inventor: **Huo-Tu Huang**, No. 9, Lane 379,  
Chung-Hwa Rd., Su-Lin, Taipei County  
(TW)

(\*\*) Term: **14 Years**

(21) Appl. No.: **29/309,905**

(22) Filed: **Nov. 7, 2008**

(51) **LOC (9) Cl.** ..... **26-05**

(52) **U.S. Cl.** ..... **D26/63**

(58) **Field of Classification Search** ..... D26/24,  
D26/44, 45, 61, 62, 63, 64, 65, 66, 72, 73,  
D26/87, 93, 104, 105, 106, 107, 108; 362/145,  
362/147, 148, 153, 220, 217.02, 269, 277,  
362/282, 285, 287, 296.05, 311.05, 311.06,  
362/372, 228, 236, 237, 249.03, 249.04,  
362/249.06, 249.07, 249.08, 249.09, 249.1,  
362/249.11

See application file for complete search history.

(56) **References Cited**

**U.S. PATENT DOCUMENTS**

D333,528 S \* 2/1993 Blet ..... D26/62  
D368,319 S \* 3/1996 Huang ..... D26/65  
D368,549 S \* 4/1996 Huang ..... D26/107  
D405,903 S \* 2/1999 Lin ..... D26/64  
D409,779 S \* 5/1999 Schaak et al. .... D26/62

D439,358 S \* 3/2001 Lin ..... D26/65  
D485,929 S \* 1/2004 Cvek ..... D26/65  
D499,828 S \* 12/2004 Martin et al. .... D26/65  
D506,018 S \* 6/2005 Campo ..... D26/62  
D521,673 S \* 5/2006 Wu ..... D26/65  
D548,876 S \* 8/2007 Newhouse ..... D26/109  
D554,789 S \* 11/2007 Huang ..... D26/65  
D555,273 S \* 11/2007 Huang ..... D26/63

\* cited by examiner

*Primary Examiner*—Jennifer Rivard

*Assistant Examiner*—Angela J Lee

(74) *Attorney, Agent, or Firm*—Bacon & Thomas, PLLC

(57) **CLAIM**

I claim the ornamental design for table lamp, as shown and described.

**DESCRIPTION**

FIG. 1. is a perspective view of table lamp showing my new design

FIG. 2. is a front elevational view thereof;

FIG. 3. is a rear elevational view thereof;

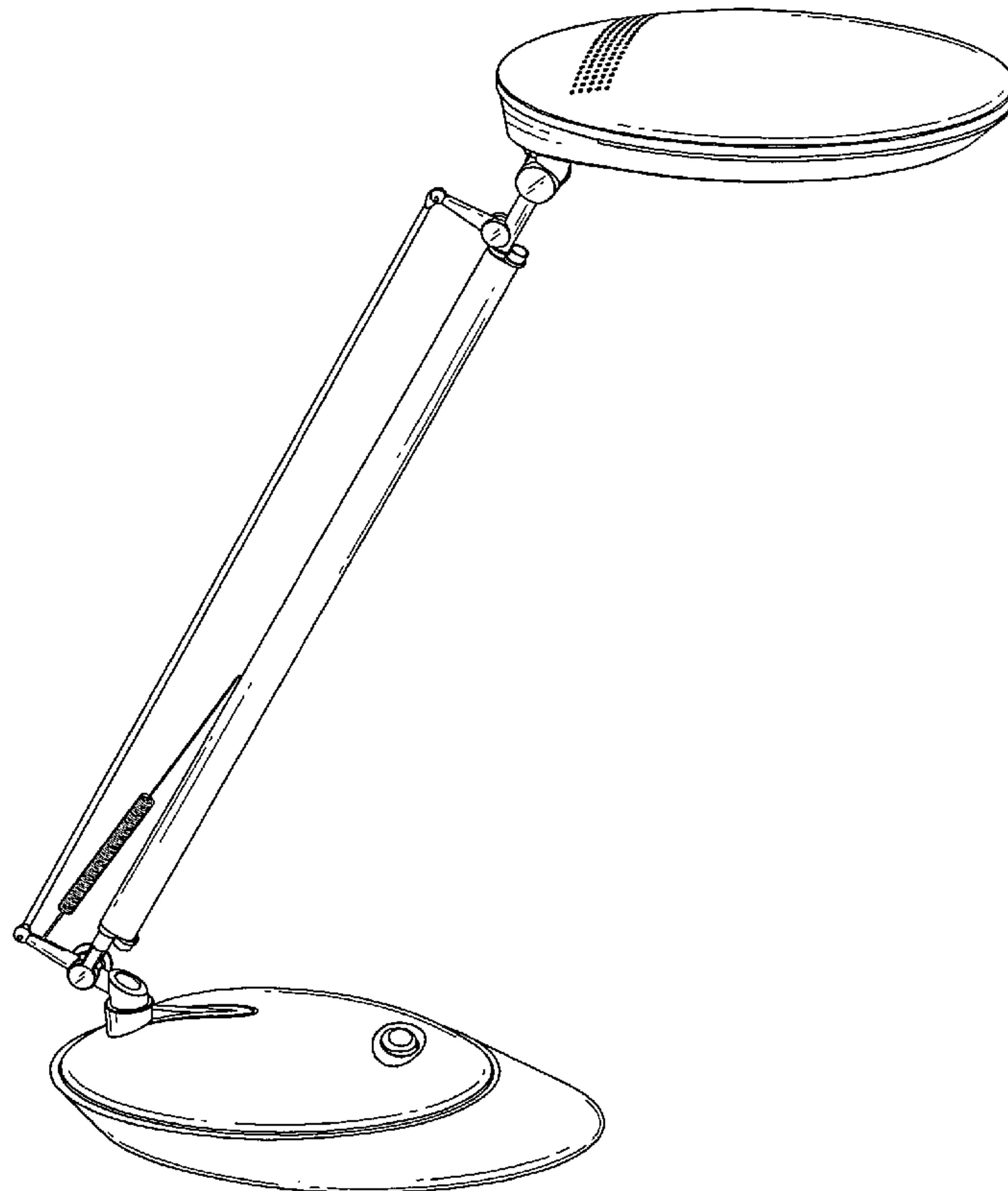
FIG. 4. is a left side elevational view thereof;

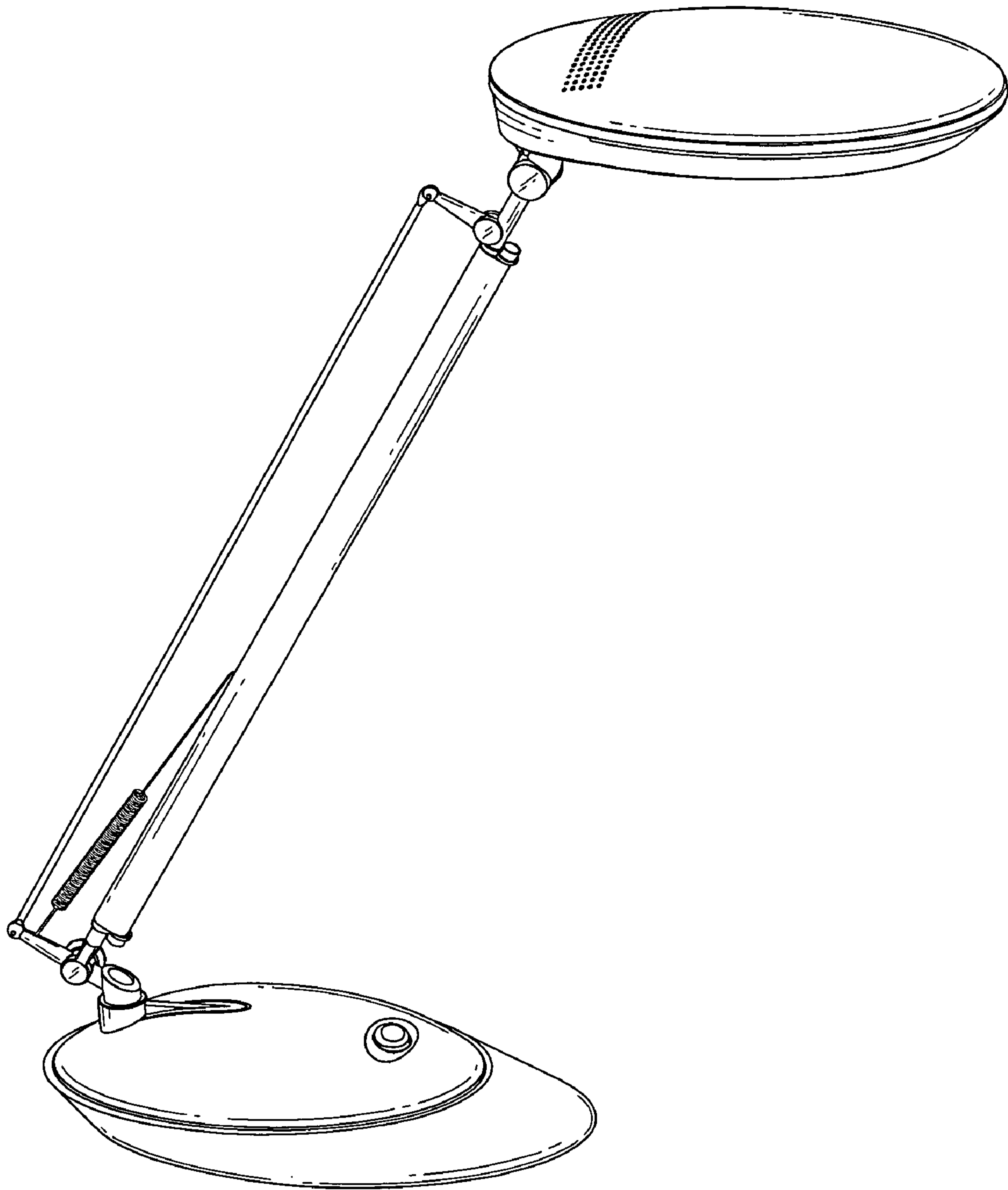
FIG. 5. is a right side elevational view thereof;

FIG. 6. is a top plan view thereof; and,

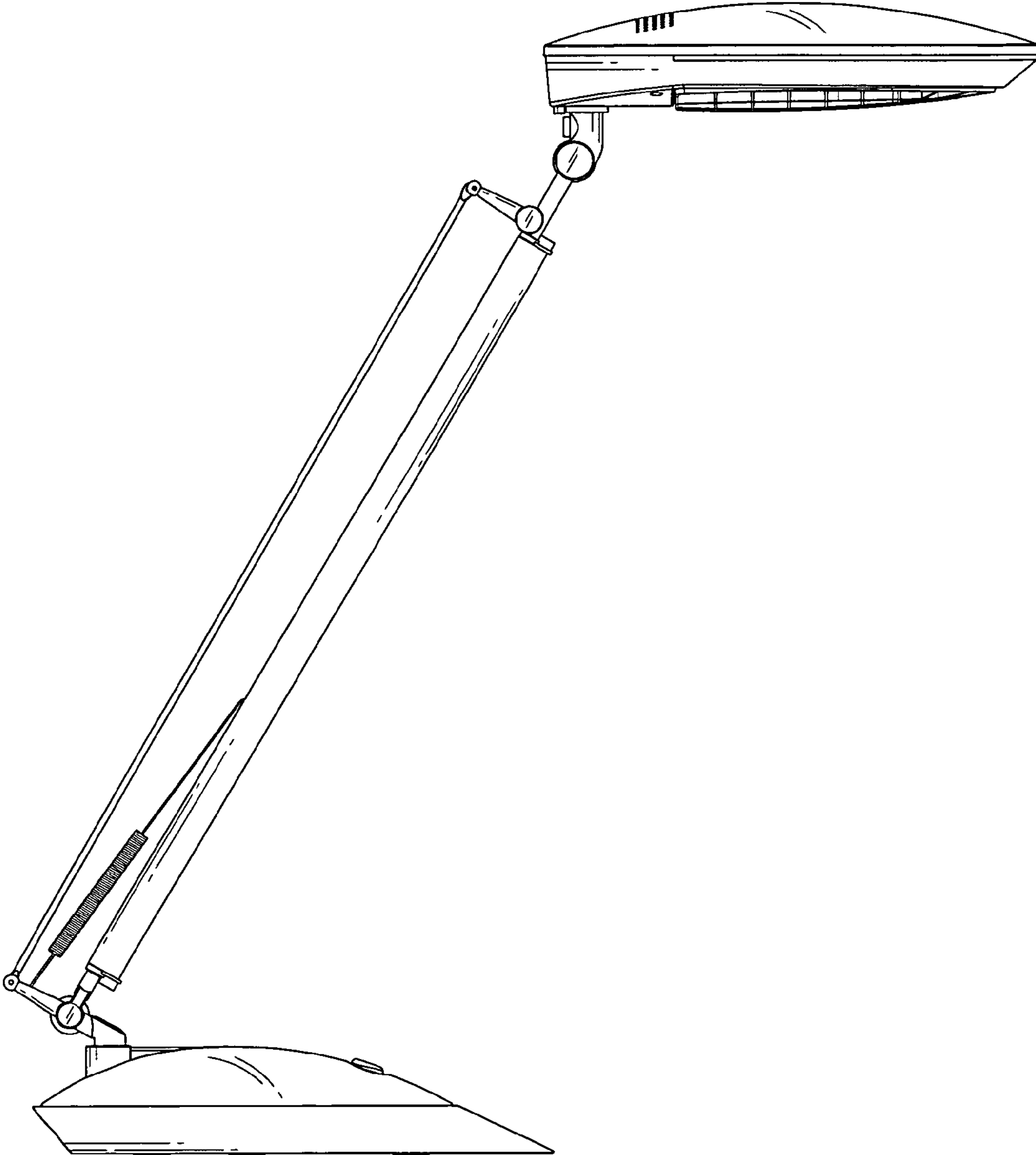
FIG. 7. is a bottom plan view thereof.

**1 Claim, 5 Drawing Sheets**

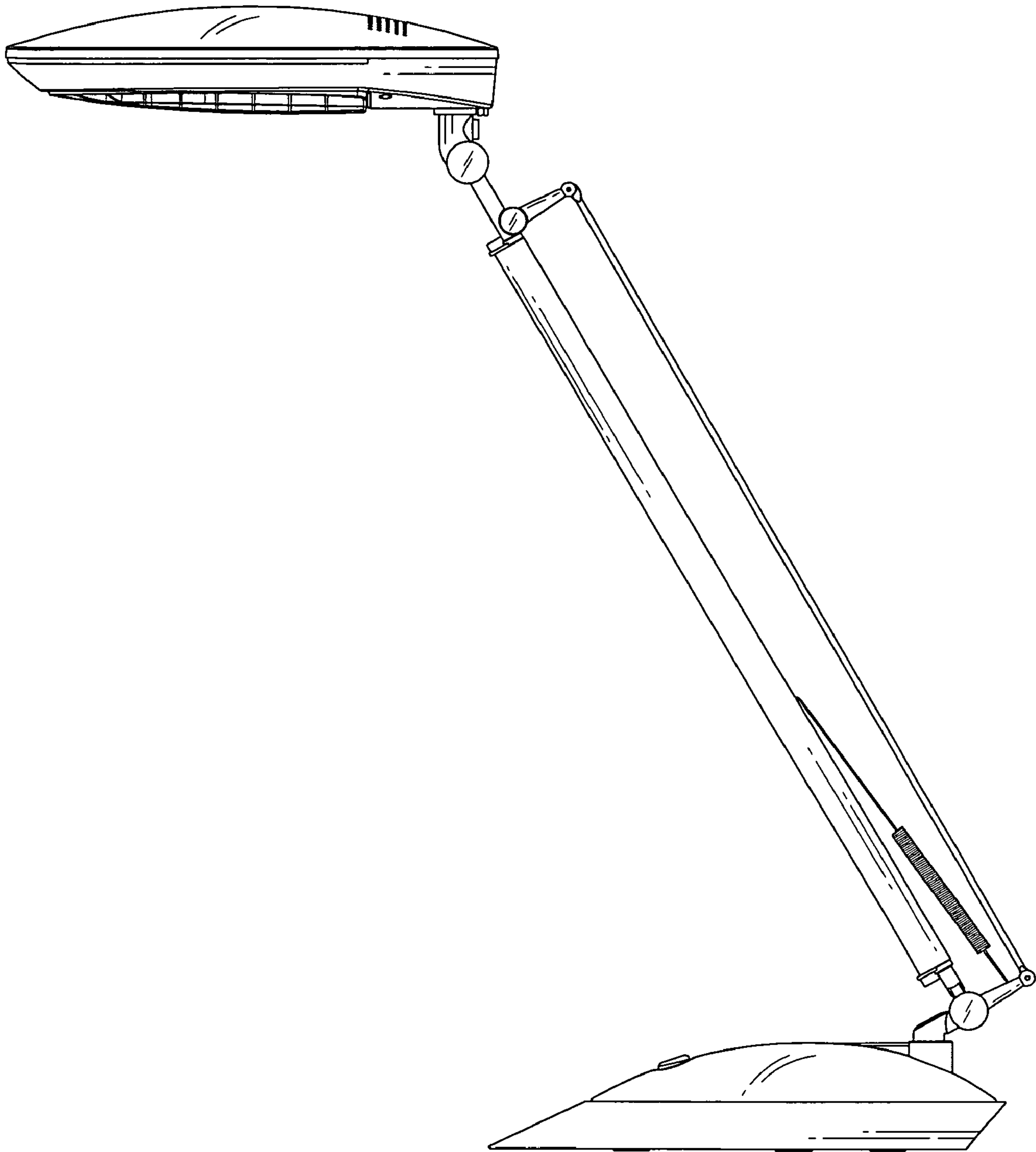




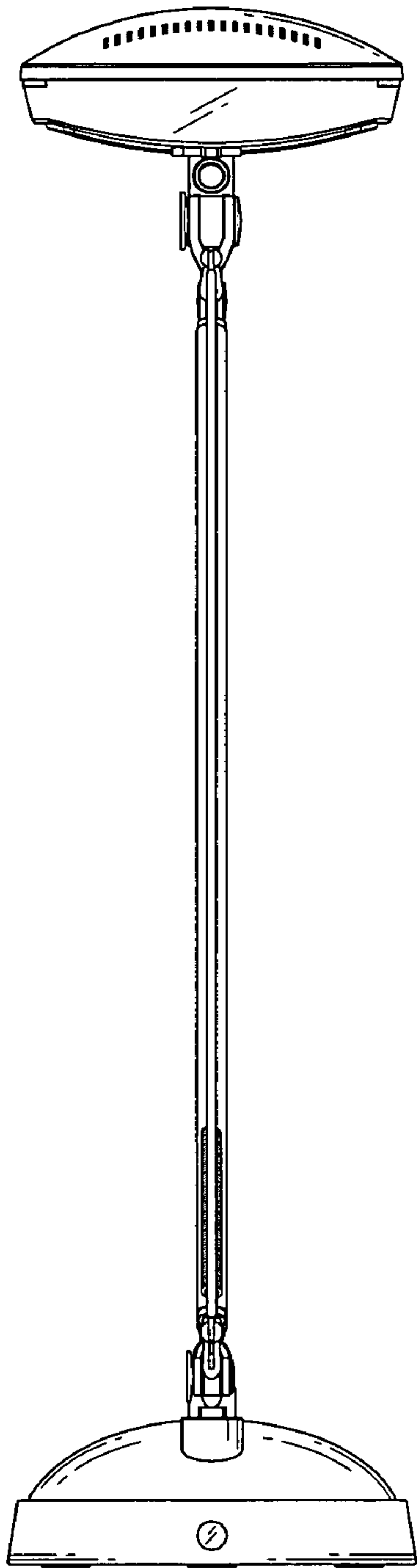
**FIG. 1**



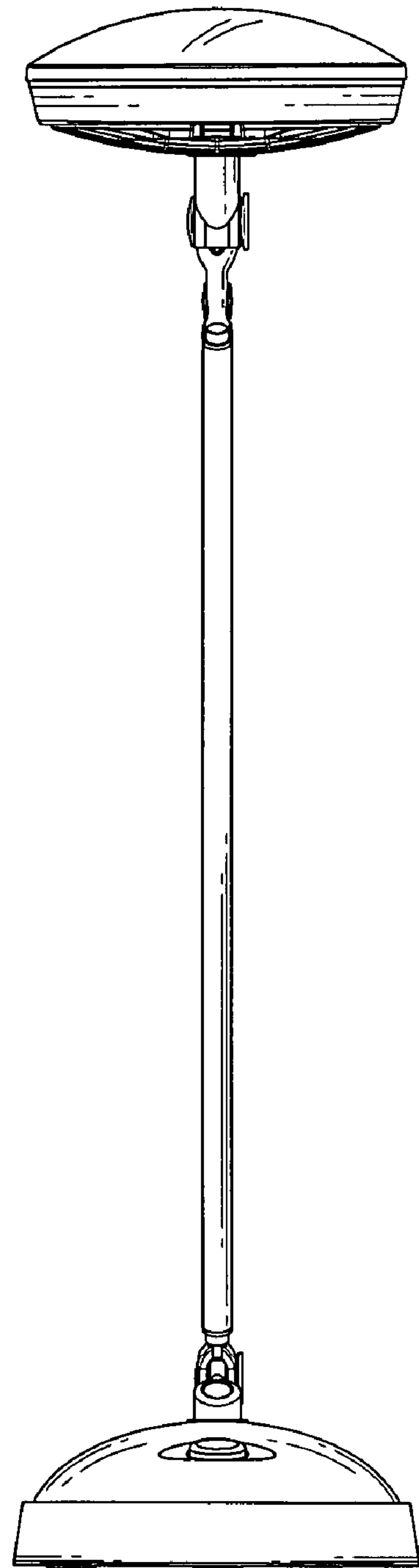
**FIG.2**



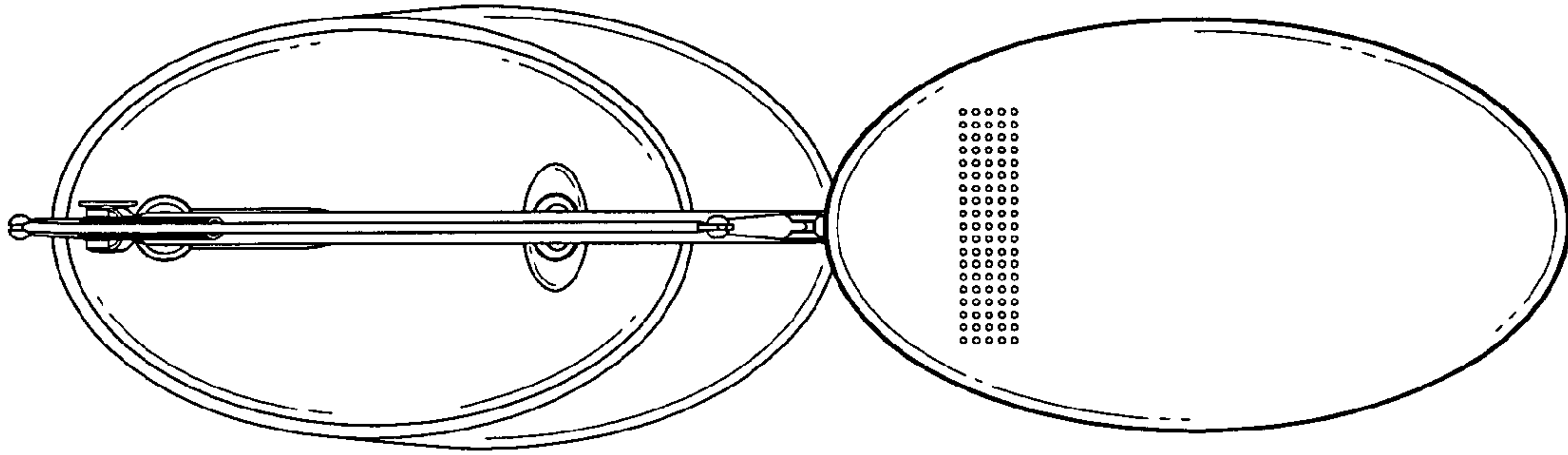
**FIG.3**



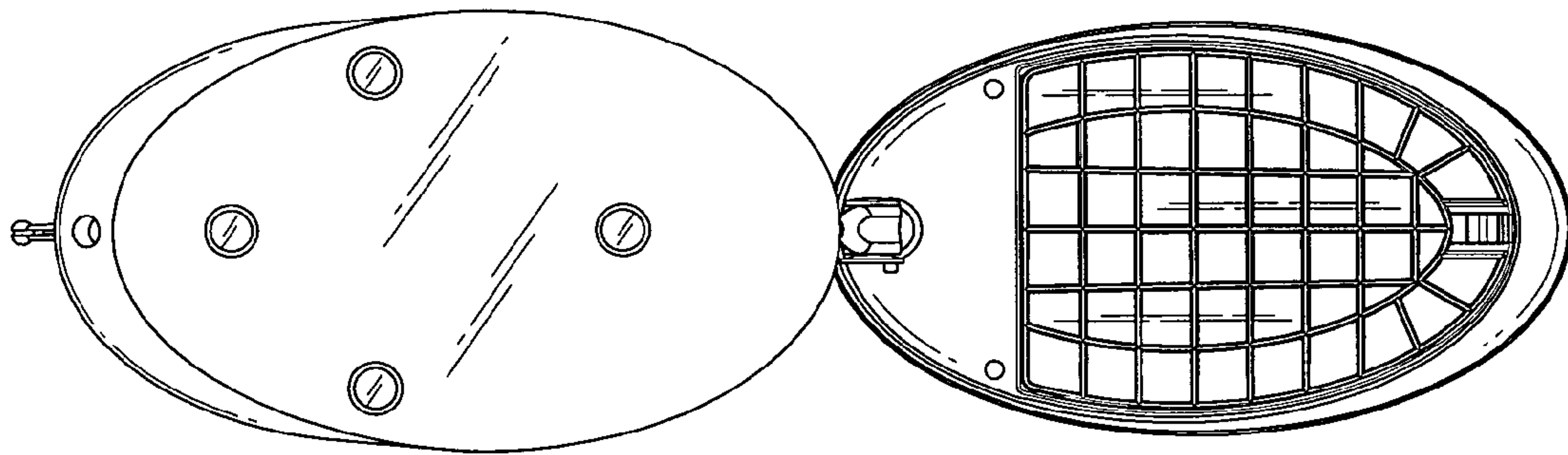
**FIG. 4**



**FIG. 5**



**FIG. 6**



**FIG. 7**