



US00D599929S

(12) **United States Design Patent**  
**Huang**

(10) **Patent No.:** **US D599,929 S**

(45) **Date of Patent:** **\*\* Sep. 8, 2009**

(54) **TABLE LAMP**

(76) **Inventor:** **Huo-Tu Huang**, No. 9, Lane 379,  
Chung-Hwa Rd., Su-Lin, Taipei County  
(TW)

(\*\*) **Term:** **14 Years**

(21) **Appl. No.:** **29/309,903**

(22) **Filed:** **Nov. 7, 2008**

(51) **LOC (9) Cl.** ..... **26-05**

(52) **U.S. Cl.** ..... **D26/63**

(58) **Field of Classification Search** ..... D26/24,  
D26/44, 45, 61, 62, 63, 64, 65, 66, 72, 73,  
D26/87, 93, 104, 105, 106, 107, 108; 362/145,  
362/147, 148, 153, 220, 217.02, 269, 277,  
362/282, 285, 287, 296.05, 311.05, 311.06,  
362/372, 228, 236, 237, 249.03, 249.04,  
362/249.06, 249.07, 249.08, 249.09, 249.1,  
362/249.11

See application file for complete search history.

(56) **References Cited**

**U.S. PATENT DOCUMENTS**

D333,528 S \* 2/1993 Blet ..... D26/62  
D376,219 S \* 12/1996 Heuel ..... D26/62  
D450,408 S \* 11/2001 Wang ..... D26/109  
D468,855 S \* 1/2003 Gismondi ..... D26/109  
6,764,203 B2 \* 7/2004 Chan ..... 362/414

D500,380 S \* 12/2004 Chen ..... D26/65  
D539,970 S \* 4/2007 Waldmann ..... D26/107  
D554,789 S \* 11/2007 Huang ..... D26/65  
D563,583 S \* 3/2008 Iai et al. .... D26/65  
D567,982 S \* 4/2008 Lu et al. .... D26/65  
D568,519 S \* 5/2008 Lu et al. .... D26/65  
D568,520 S \* 5/2008 Castellucci et al. .... D26/65  
D590,532 S \* 4/2009 Levine ..... D26/60

\* cited by examiner

*Primary Examiner*—Jennifer Rivard

*Assistant Examiner*—Angela J Lee

(74) *Attorney, Agent, or Firm*—Bacon & Thomas, PLLC

(57) **CLAIM**

I claim the ornamental design for table lamp, as shown and described.

**DESCRIPTION**

FIG. 1. is a perspective view of table lamp showing my new design

FIG. 2. is a front elevational view thereof;

FIG. 3. is a rear elevational view thereof;

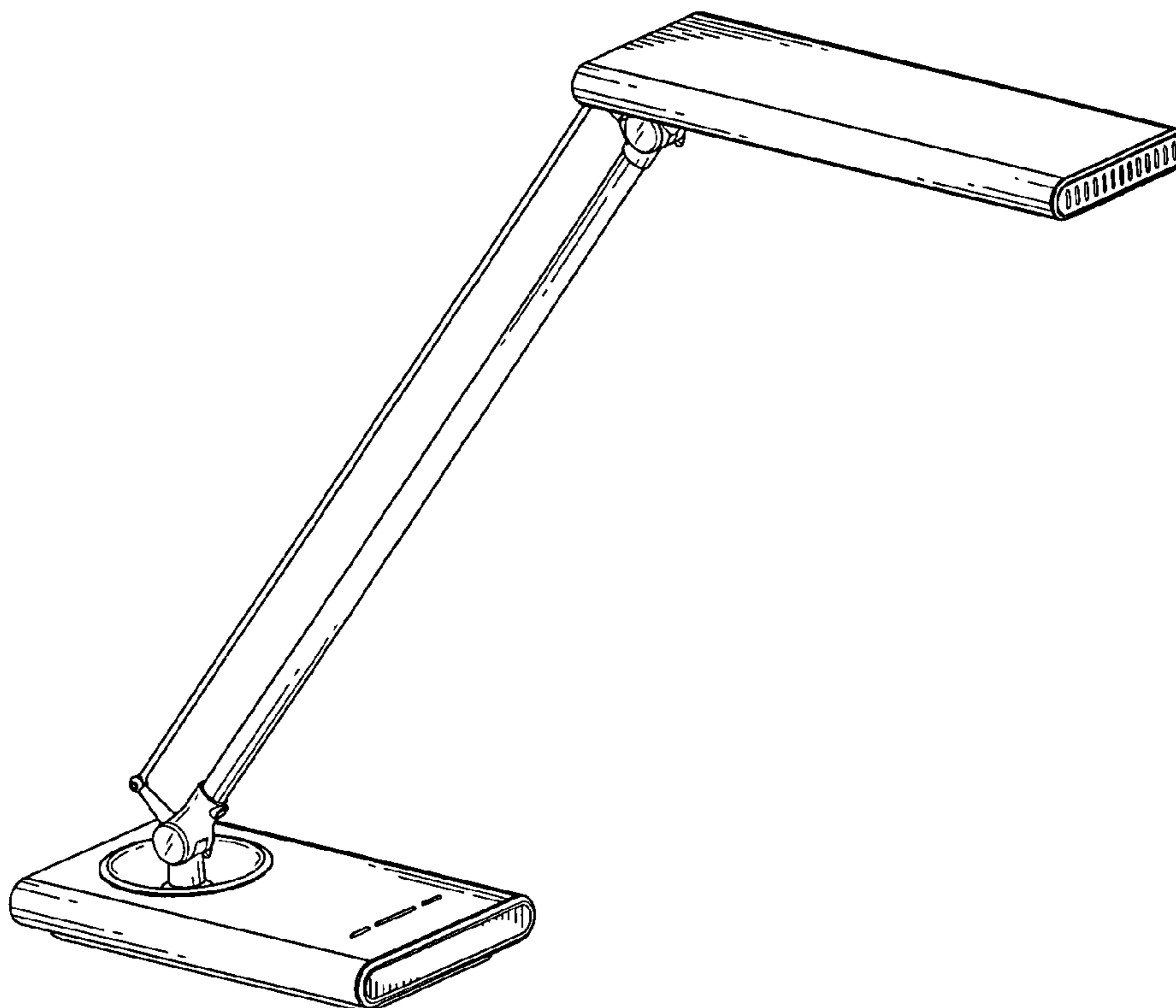
FIG. 4. is a left side elevational view thereof;

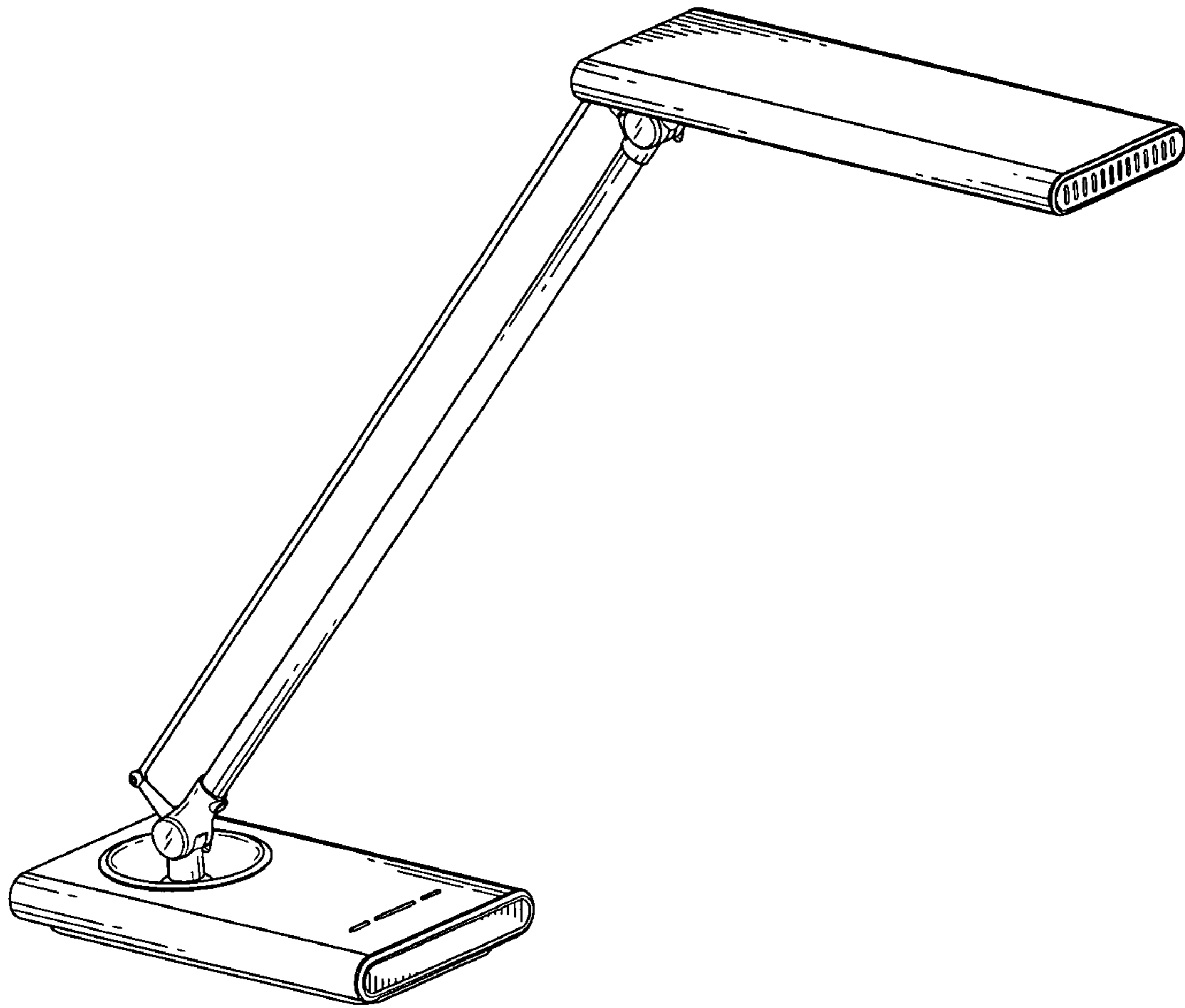
FIG. 5. is a right side elevational view thereof;

FIG. 6. is a top plan view thereof; and,

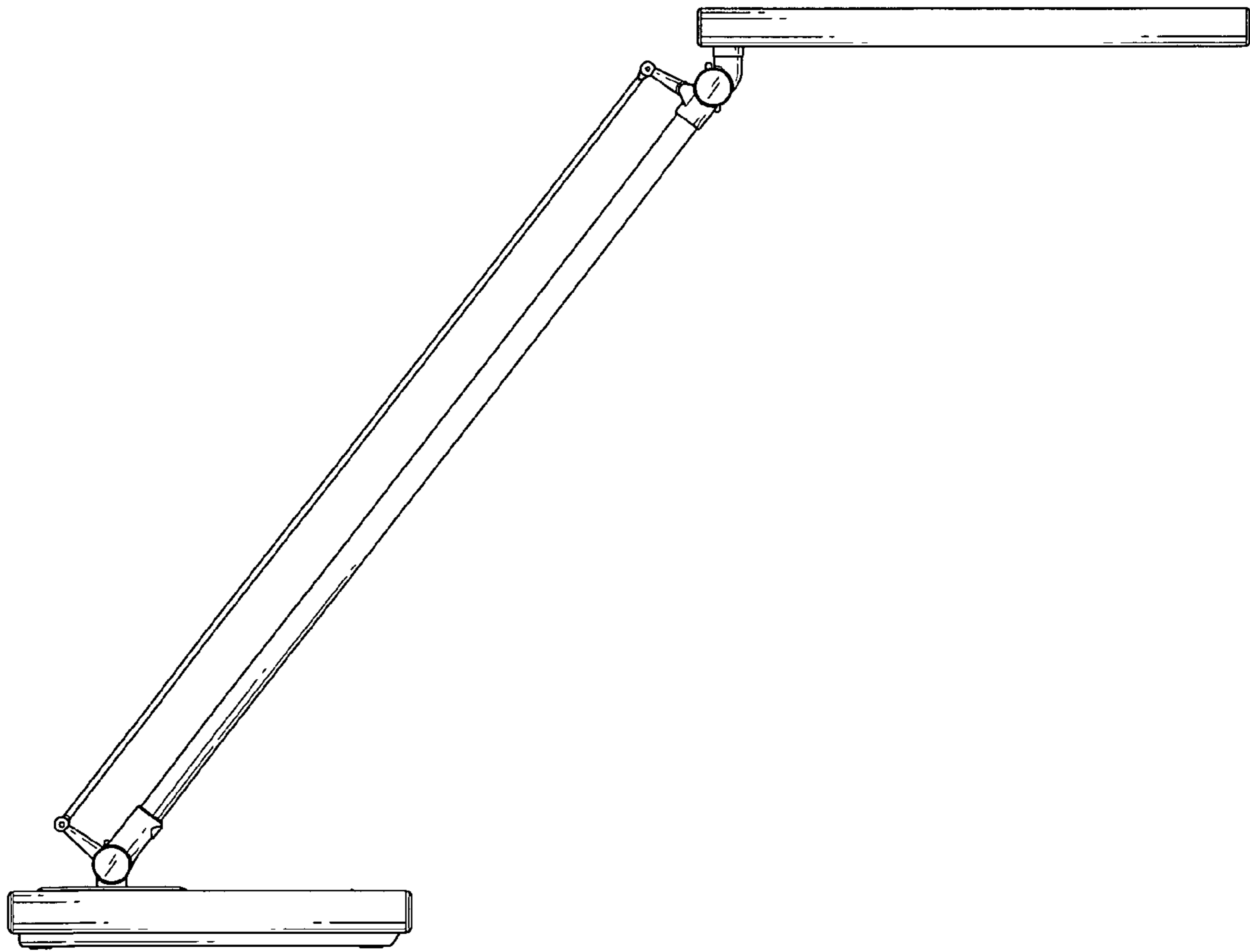
FIG. 7. is a bottom plan view thereof.

**1 Claim, 5 Drawing Sheets**

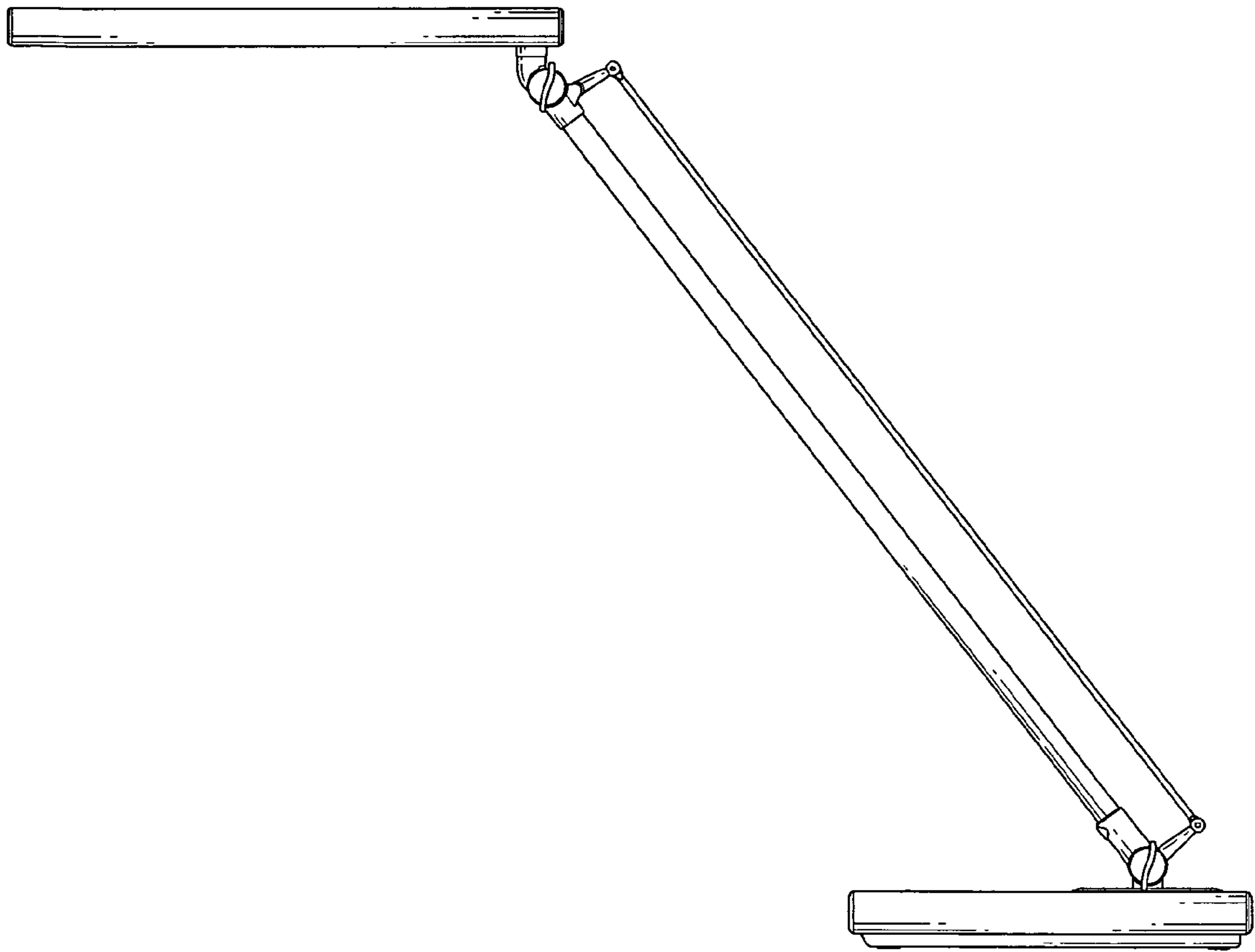




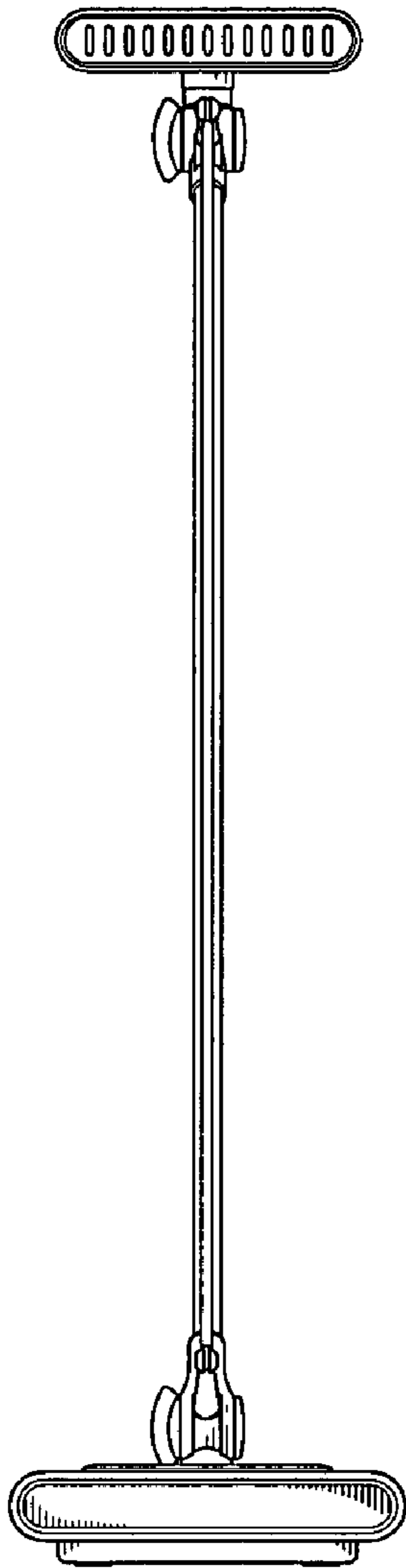
**FIG. 1**



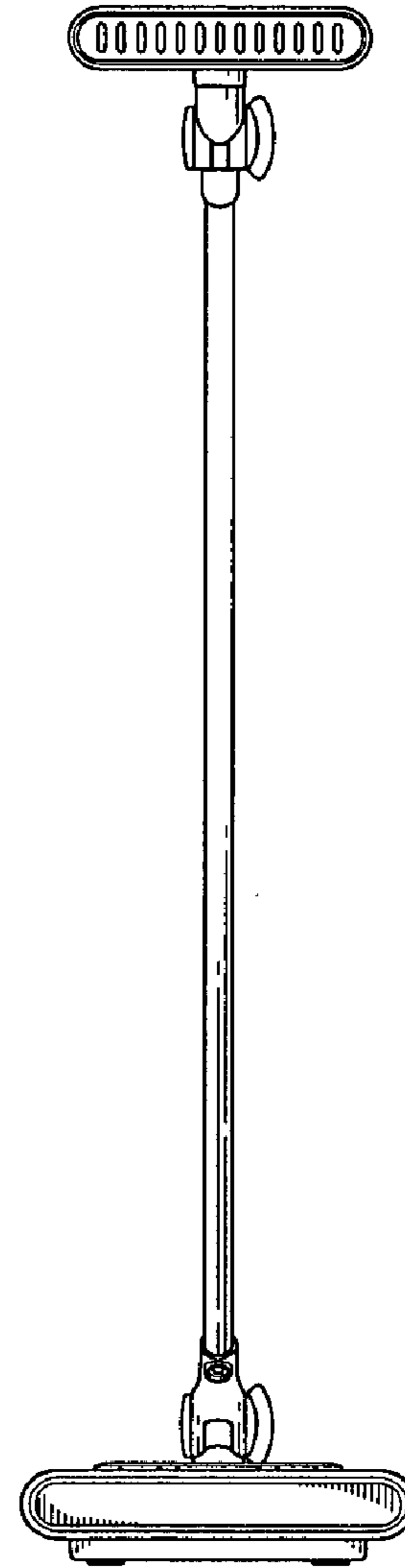
**FIG.2**



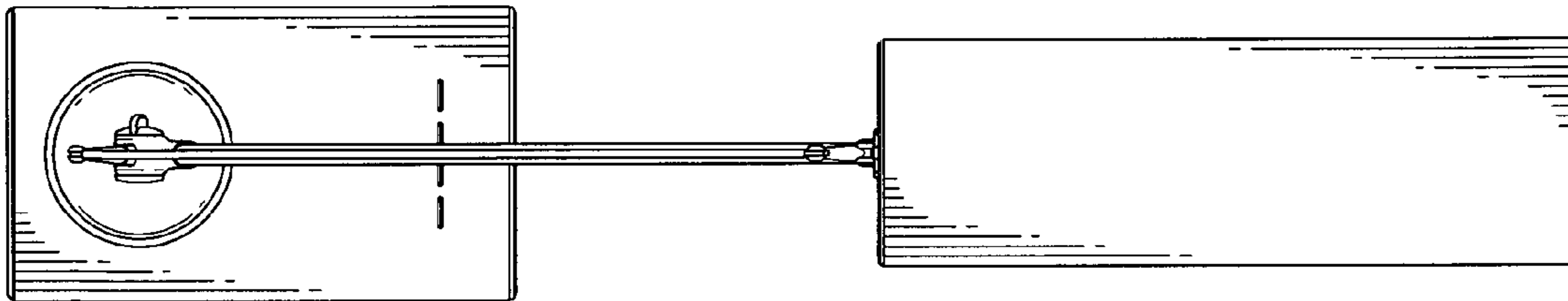
*FIG.3*



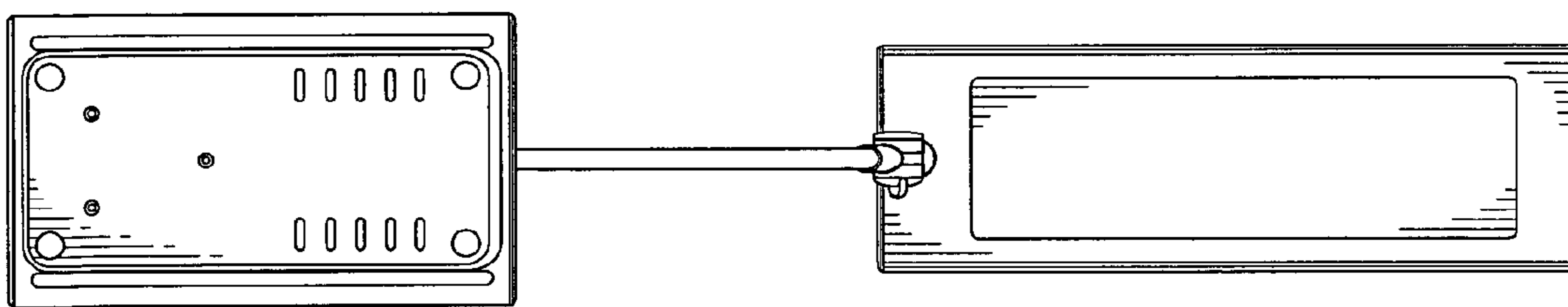
*FIG. 4*



*FIG. 5*



*FIG. 6*



*FIG. 7*