



US00D599928S

(12) **United States Design Patent**  
**Shiu**

(10) **Patent No.:** **US D599,928 S**

(45) **Date of Patent:** **\*\* Sep. 8, 2009**

(54) **FLASHLIGHT**

(75) **Inventor:** **Stephanie Wai Man Shiu, Kowloon (HK)**

(73) **Assignee:** **Gold Coral International Limited, San Po Kong, Kowloon (HK)**

(\*\*) **Term:** **14 Years**

(21) **Appl. No.:** **29/331,036**

(22) **Filed:** **Jan. 18, 2009**

(30) **Foreign Application Priority Data**

Jul. 22, 2008 (HK) ..... 0801856

(51) **LOC (9) Cl.** ..... **26-02**

(52) **U.S. Cl.** ..... **D26/49**

(58) **Field of Classification Search** ..... D26/37,  
D26/38, 39, 44, 46, 49, 50; 362/157, 158,  
362/183, 187, 188, 190, 191, 197, 201-208  
See application file for complete search history.

(56) **References Cited**

**U.S. PATENT DOCUMENTS**

D513,334 S	*	12/2005	Galey	.....	D26/37
D532,138 S	*	11/2006	Wang et al.	.....	D26/49
D541,454 S	*	4/2007	Galey	.....	D26/49
D554,787 S	*	11/2007	Shiu	.....	D26/49
D565,768 S	*	4/2008	Shiu	.....	D26/49
D565,769 S	*	4/2008	Shiu	.....	D26/49
D566,309 S	*	4/2008	Kornfeld et al.	.....	D26/37
D566,314 S	*	4/2008	Jen	.....	D26/49

D577,451 S	*	9/2008	Shiu	.....	D26/49
D577,452 S	*	9/2008	Shiu	.....	D26/49
D577,843 S	*	9/2008	Couture et al.	.....	D26/49
D577,844 S	*	9/2008	Shiu	.....	D26/49
D577,845 S	*	9/2008	Shiu	.....	D26/49
D578,690 S	*	10/2008	Kim	.....	D26/37
D579,135 S	*	10/2008	Shiu	.....	D26/49
D579,595 S	*	10/2008	Shiu	.....	D26/49
D583,973 S	*	12/2008	Shiu	.....	D26/49
D585,577 S	*	1/2009	Bonis	.....	D26/49
D586,025 S	*	2/2009	Bonis	.....	D26/49
D590,970 S	*	4/2009	Kornfeld et al.	.....	D26/37

\* cited by examiner

*Primary Examiner*—Ian Simmons

*Assistant Examiner*—Carissa C Fitts

(74) *Attorney, Agent, or Firm*—Joseph G. Swan, PC

(57) **CLAIM**

The ornamental design for a flashlight, as shown and described.

**DESCRIPTION**

FIG. 1 is a right side elevational view of a flashlight according to the present invention.

FIG. 2 is a bottom plan view of the flashlight.

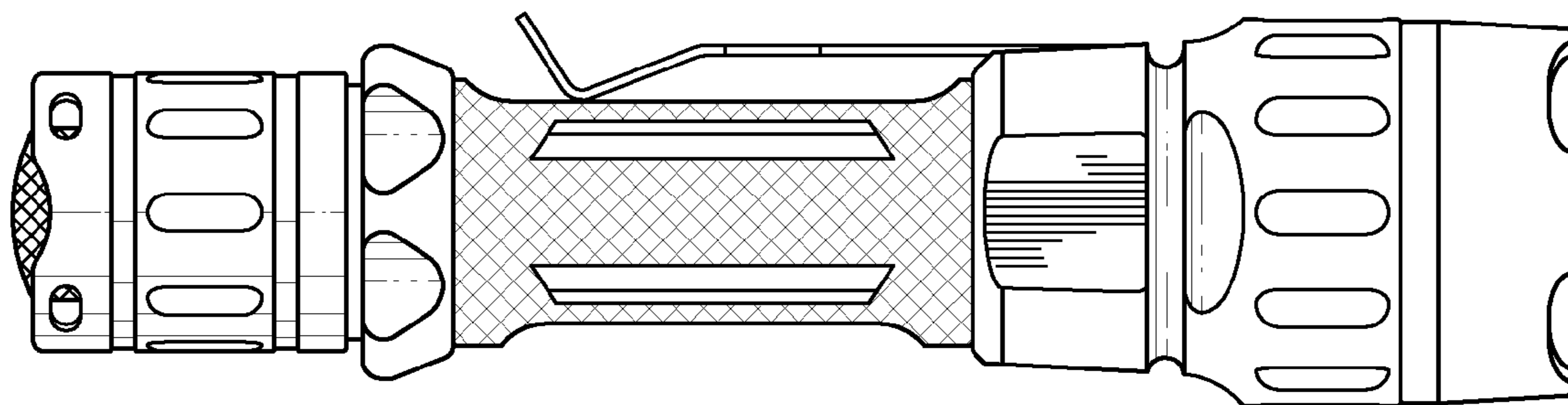
FIG. 3 is a left side elevational view of the flashlight.

FIG. 4 is a top plan view of the flashlight.

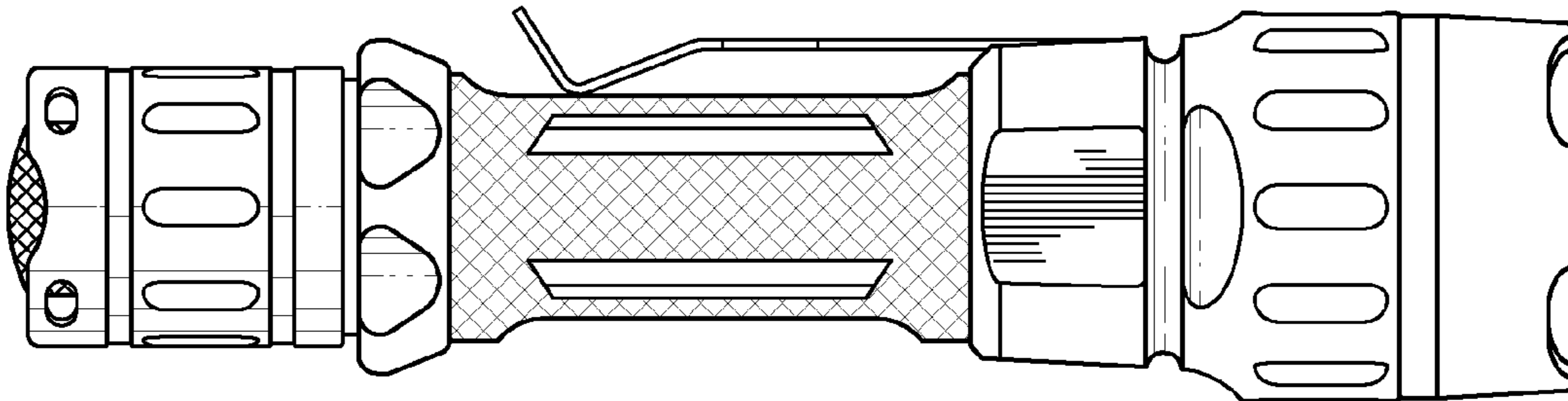
FIG. 5 is a rear elevational view of the flashlight; and,

FIG. 6 is a front elevational view of the flashlight.

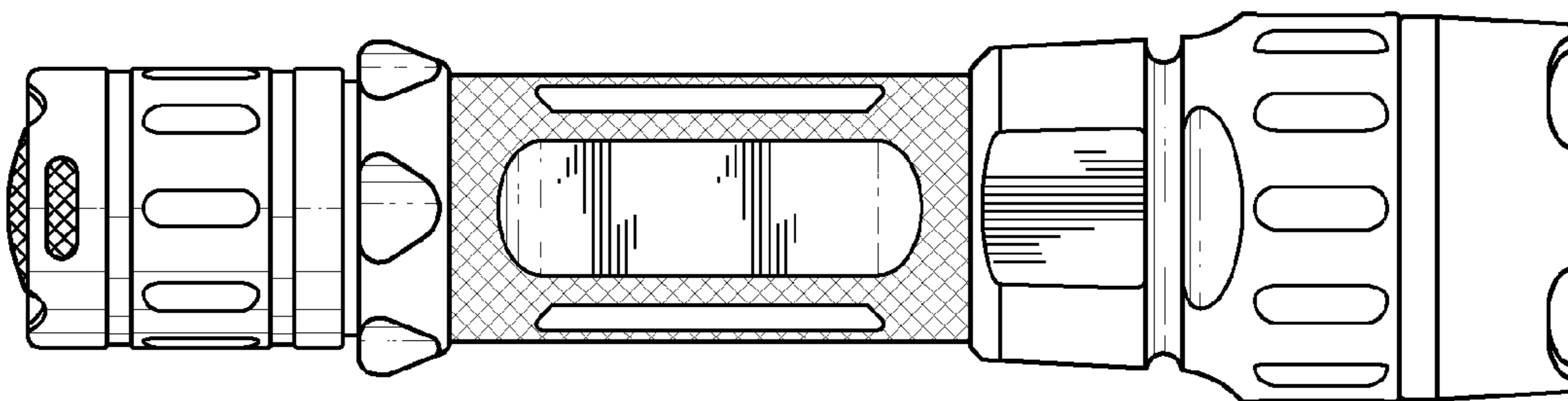
**1 Claim, 2 Drawing Sheets**



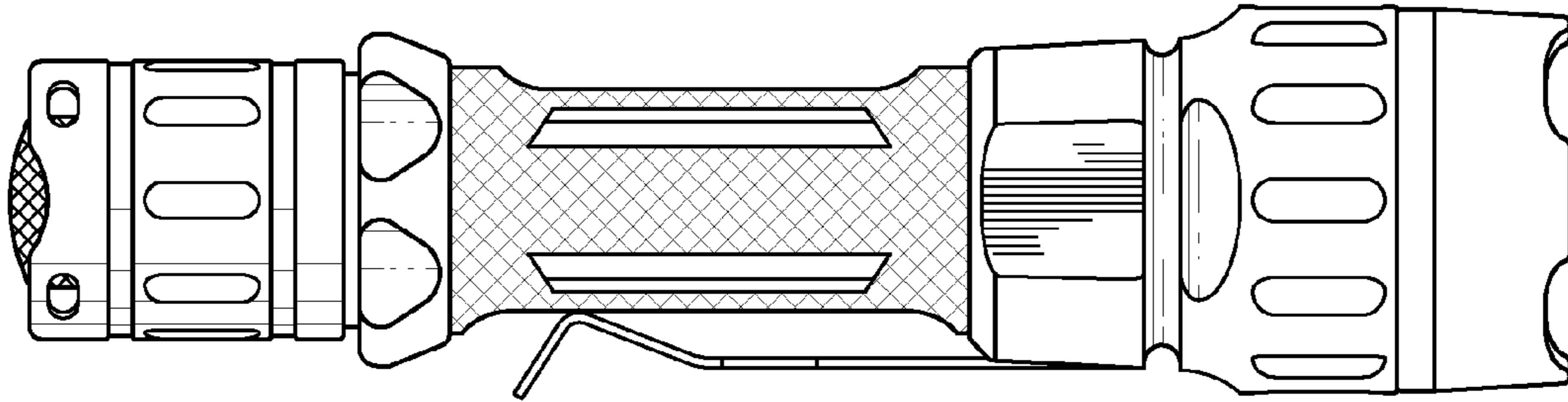
*FIG. 1*



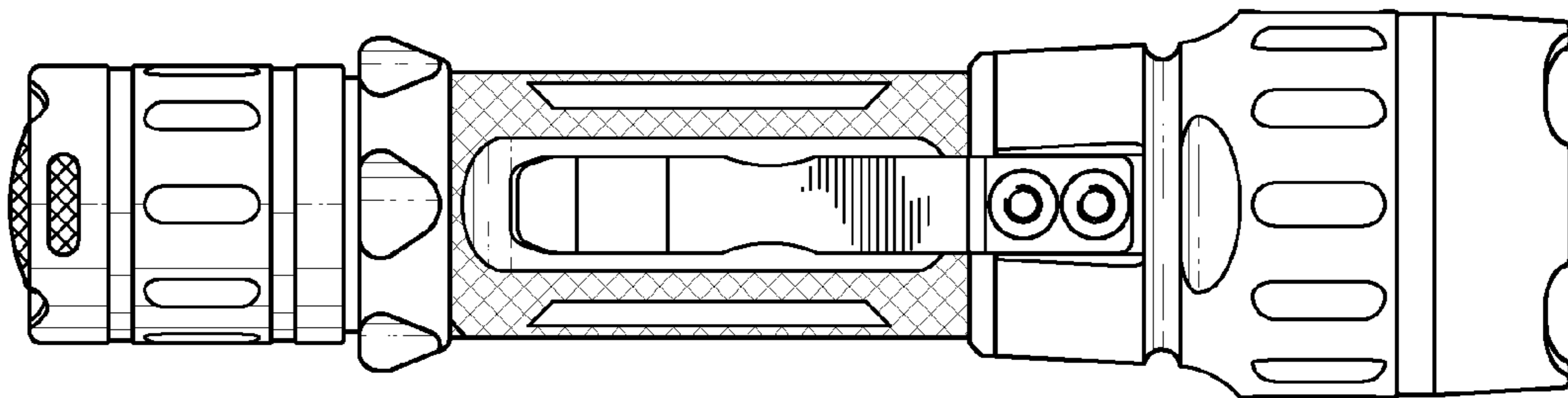
*FIG. 2*



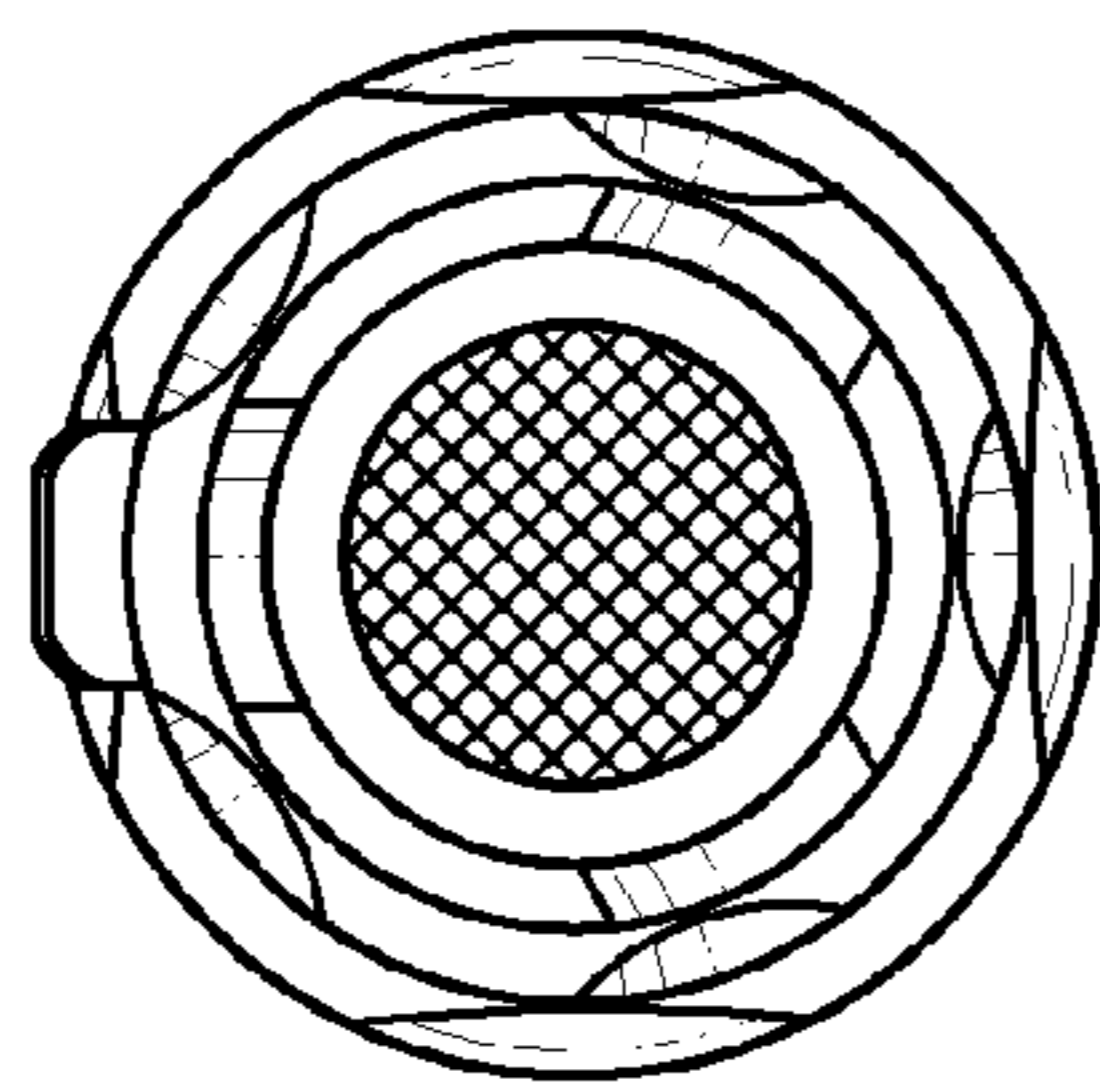
*FIG. 3*



*FIG. 4*



*FIG. 5*



*FIG. 6*

