

US00D599925S

(12) **United States Design Patent**
Kingston

(10) **Patent No.:** **US D599,925 S**

(45) **Date of Patent:** **** Sep. 8, 2009**

(54) **LIGHTING DEVICE**

(75) Inventor: **Ronald J. Kingston**, Syracuse, NY (US)

(73) Assignee: **Eveready Battery Company, Inc.**, St. Louis, MO (US)

(**) Term: **14 Years**

(21) Appl. No.: **29/330,376**

(22) Filed: **Jan. 6, 2009**

(51) **LOC (9) Cl.** **26-02**

(52) **U.S. Cl.** **D26/44**

(58) **Field of Classification Search** D26/37,
D26/38, 39, 43, 44, 46, 49, 50; 362/157,
362/158, 183, 187, 188, 190, 191, 197, 201–208
See application file for complete search history.

(56) **References Cited**

U.S. PATENT DOCUMENTS

5,971,562 A	10/1999	Yang	
D420,156 S *	2/2000	Poon D26/38
D428,175 S *	7/2000	Lynch et al. D26/44
D444,582 S *	7/2001	Poon D26/44
6,641,279 B1	11/2003	Williams	
D499,826 S *	12/2004	Ping D26/44
D512,791 S	12/2005	Ping	
D536,464 S	2/2007	Kingston et al.	
D549,373 S *	8/2007	Osiecki et al. D26/44
D552,279 S *	10/2007	Osiecki et al. D26/44

D552,280 S *	10/2007	Osiecki et al. D26/44
D563,005 S *	2/2008	Oles et al. D26/44
D564,114 S *	3/2008	Wei D26/44
D590,971 S *	4/2009	Spartano et al. D26/44

* cited by examiner

Primary Examiner—Ian Simmons

Assistant Examiner—Carissa C Fitts

(74) *Attorney, Agent, or Firm*—Gregory J. Adams

(57) **CLAIM**

The ornamental design for a lighting device, as shown and described.

DESCRIPTION

FIG. 1 is a front perspective view of a lighting device showing the design;

FIG. 2 is a rear perspective view thereof;

FIG. 3 is a right side view thereof;

FIG. 4 is a left side view thereof;

FIG. 5 is a front view thereof.

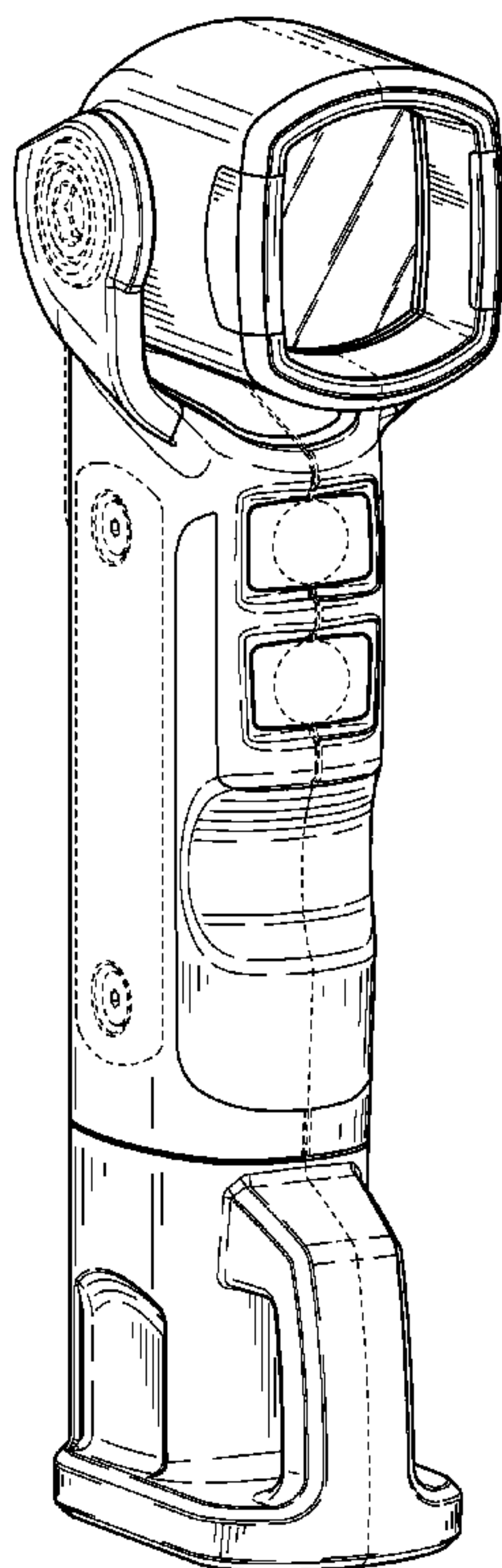
FIG. 6 is a rear view thereof;

FIG. 7 is a top view thereof; and,

FIG. 8 is a bottom view thereof.

Any broken line(s) shown are for illustrative purposes only and form no part of the claimed design.

1 Claim, 5 Drawing Sheets



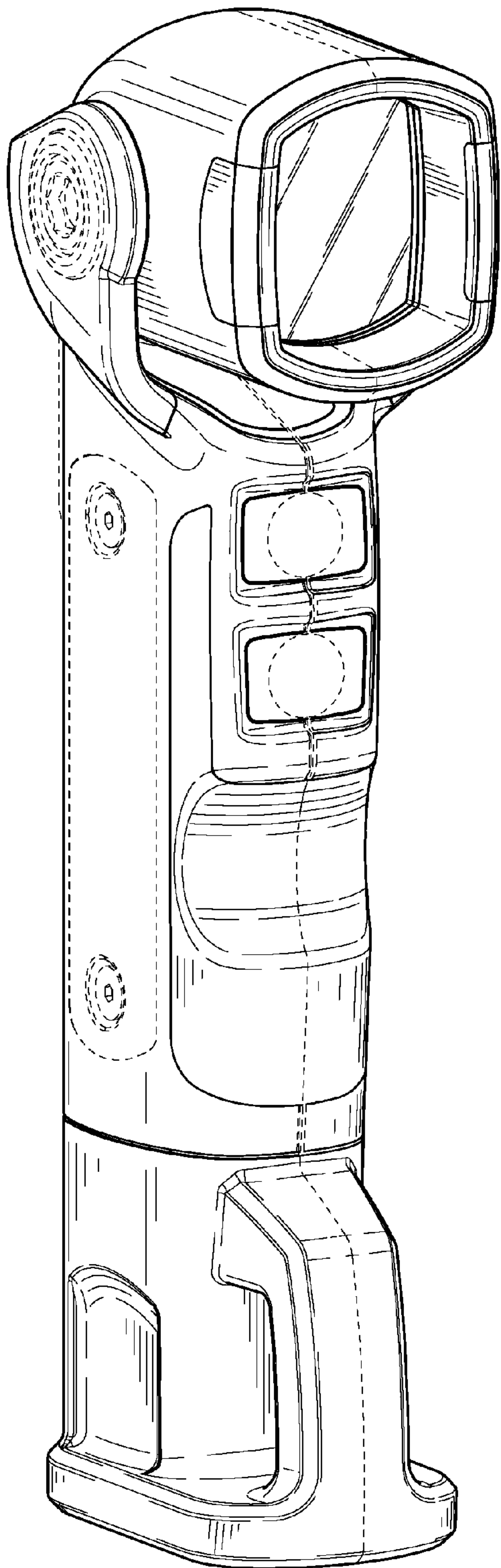


Fig. 1

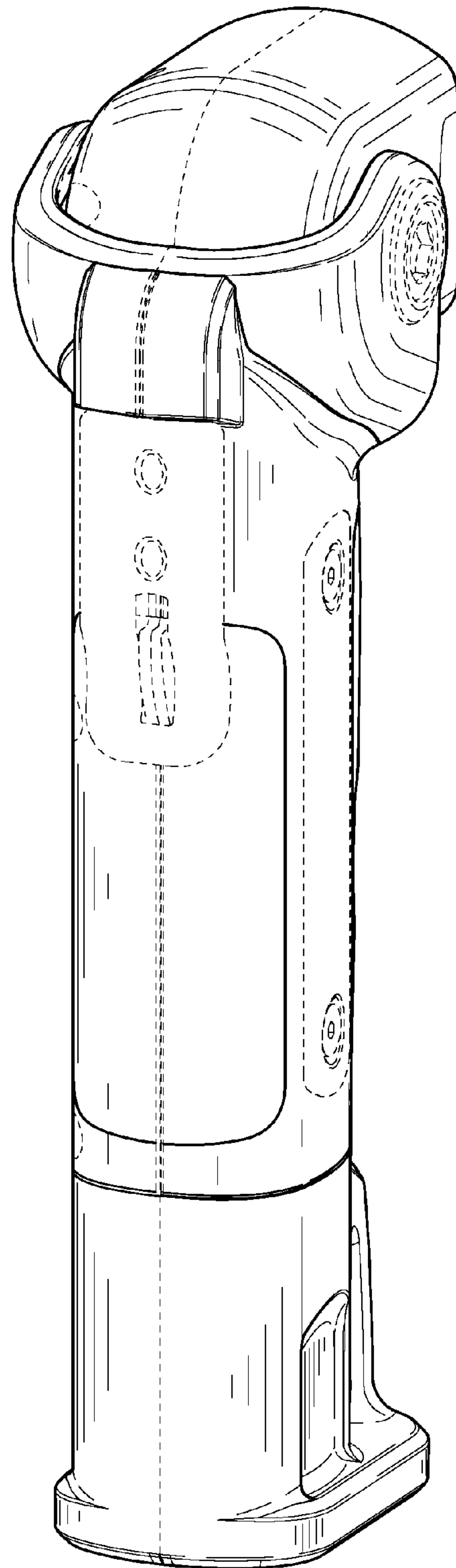


Fig. 2

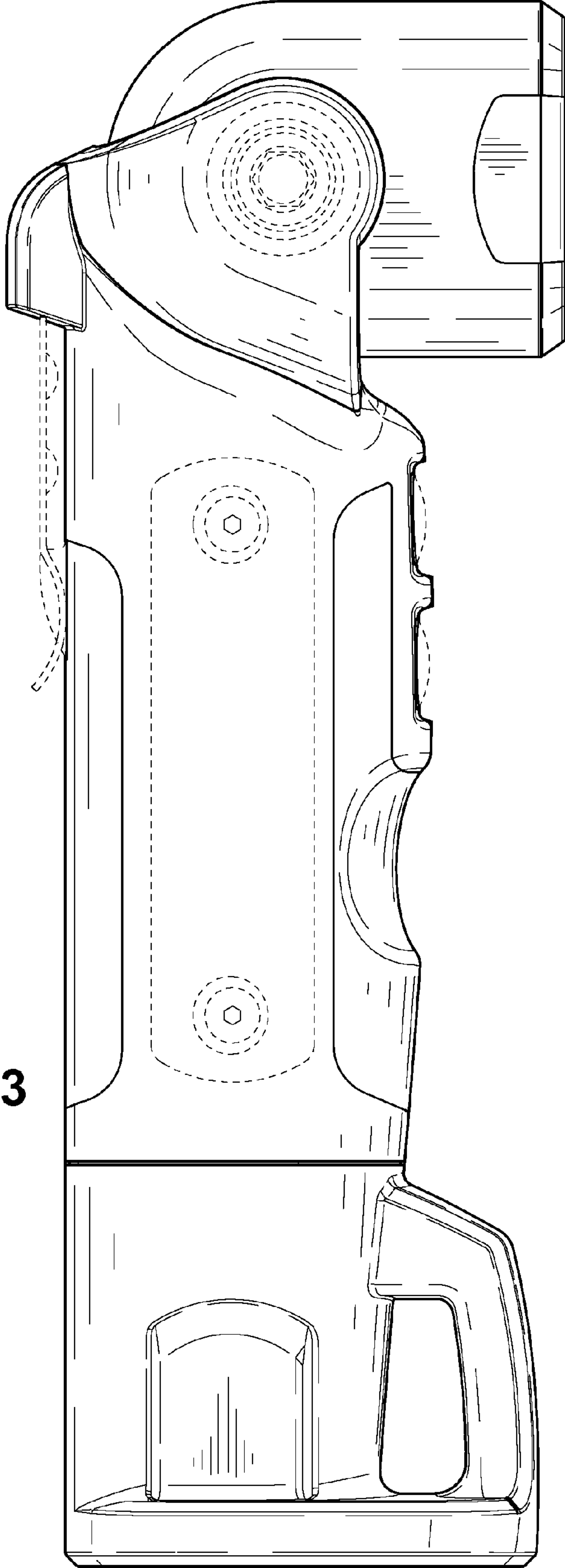


Fig. 3

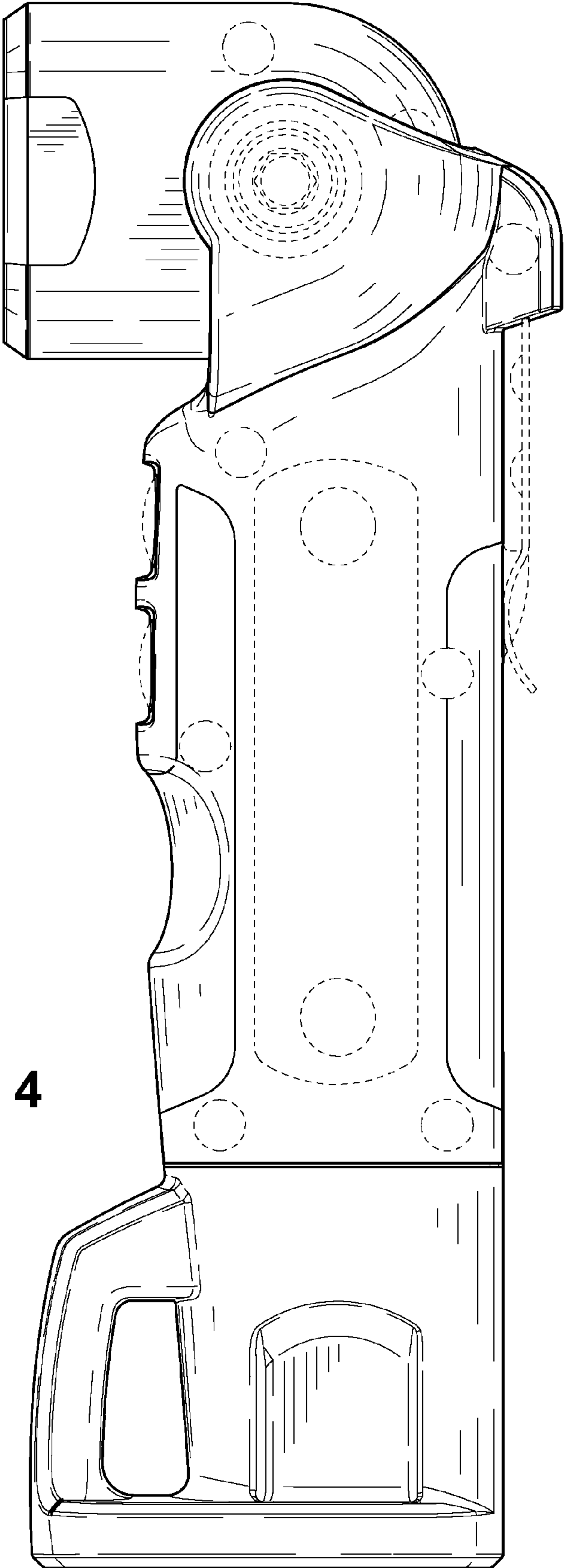


Fig. 4

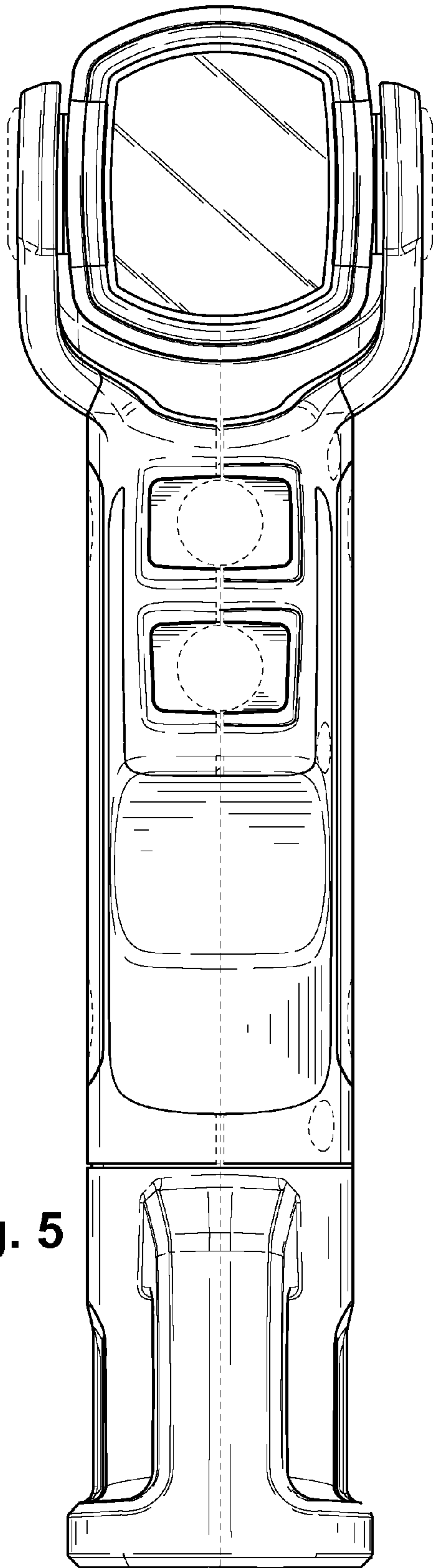


Fig. 5

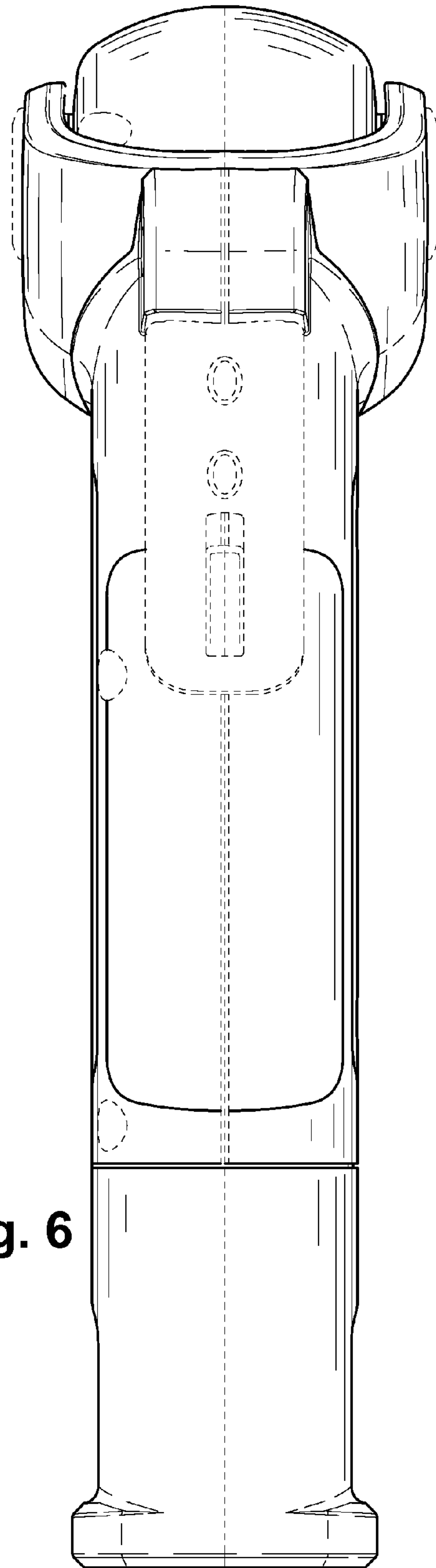


Fig. 6

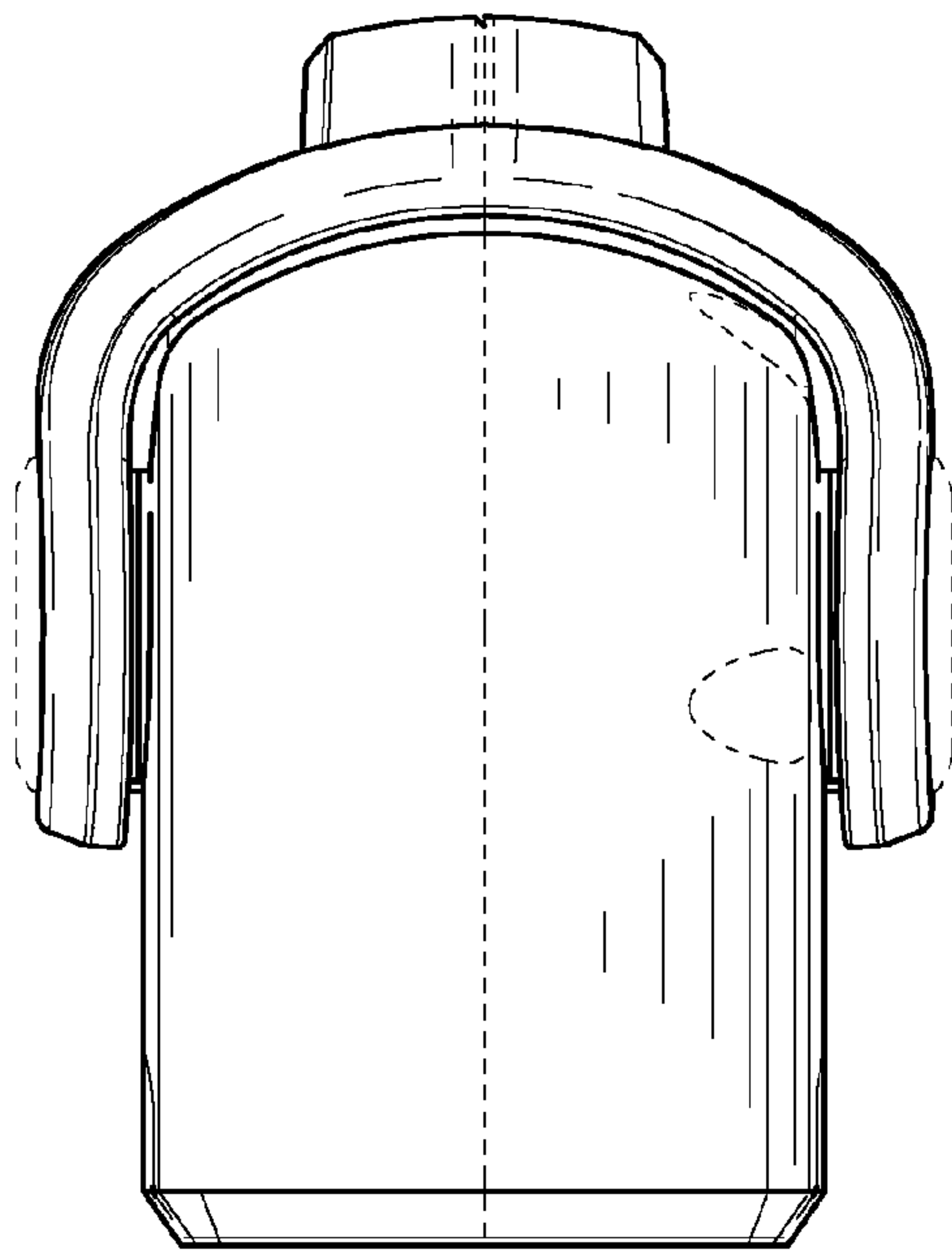


Fig. 7

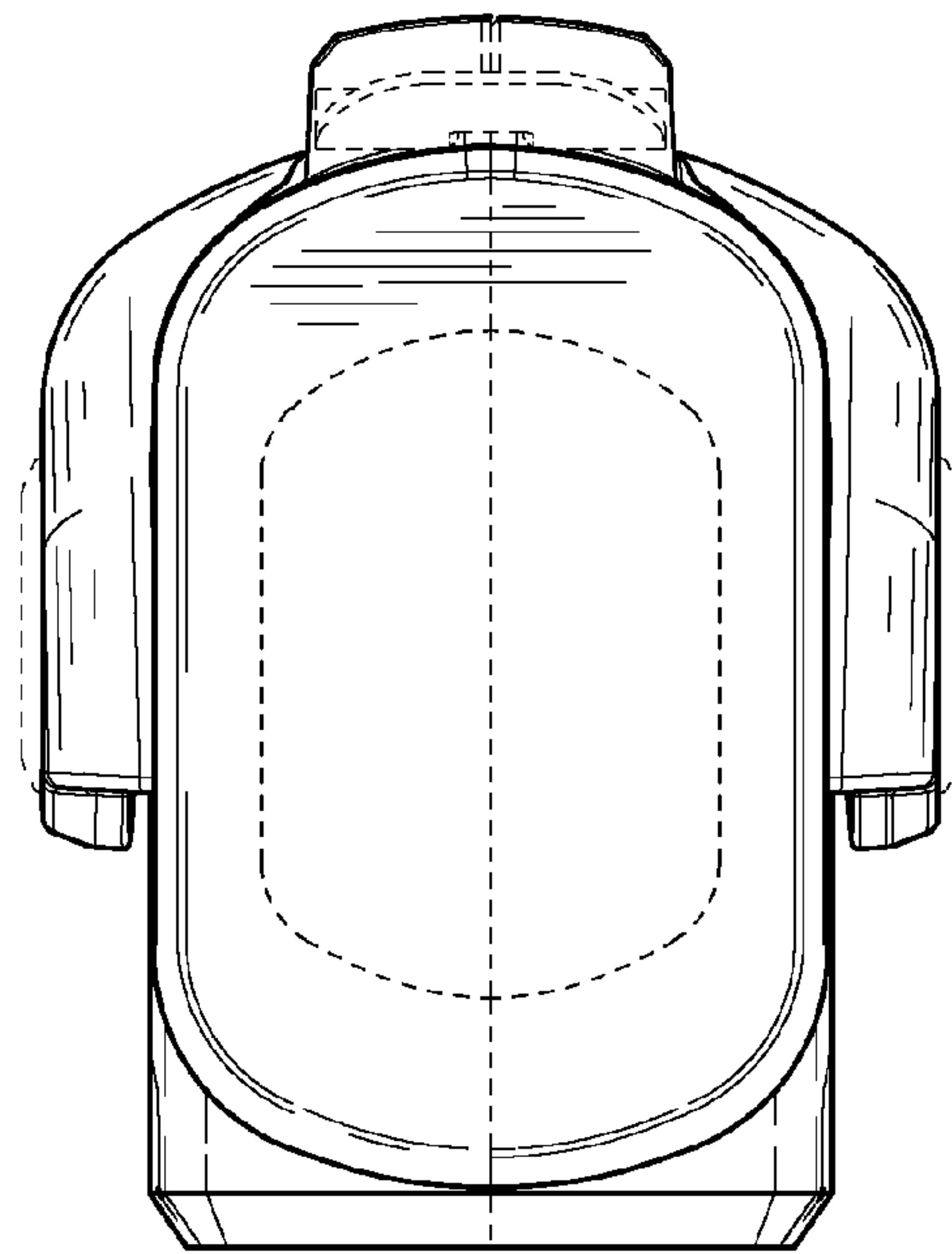


Fig. 8