



US00D599924S

(12) **United States Design Patent**  
**Schoch**

(10) **Patent No.:** **US D599,924 S**

(45) **Date of Patent:** **\*\* Sep. 8, 2009**

(54) **FLASHLIGHT**

(75) Inventor: **Robert B. Schoch**, Baltimore, MD (US)

(73) Assignee: **Black & Decker Inc.**, Newark, DE (US)

(\*\*) Term: **14 Years**

(21) Appl. No.: **29/322,779**

(22) Filed: **Aug. 12, 2008**

(51) **LOC (9) Cl.** ..... **26-02**

(52) **U.S. Cl.** ..... **D26/44; D26/46**

(58) **Field of Classification Search** ..... D26/37,  
D26/42-46, 48, 50; 362/157, 158, 167-170,  
362/174-177, 183, 184, 187, 190, 194-208

See application file for complete search history.

(56) **References Cited**

**U.S. PATENT DOCUMENTS**

D162,578 S *	3/1951	Potekin	.....	D26/44
D213,126 S	1/1969	Doman		
5,455,751 A *	10/1995	Lynch et al.	.....	362/194
D370,734 S	6/1996	Lynch et al.		
D372,549 S	8/1996	Lo		
D421,315 S	2/2000	Yuen		
D445,935 S	7/2001	Shing		
D449,899 S *	10/2001	Hayakawa et al.	.....	D26/48
D452,022 S	12/2001	Osiecki et al.		
D487,162 S *	2/2004	Lap Hon	.....	D26/37
D490,921 S *	6/2004	Ashfield et al.	.....	D26/37

D514,720 S *	2/2006	Sze-Tai	.....	D26/42
D542,447 S *	5/2007	Krieger et al.	.....	D26/46
D545,470 S	6/2007	Devany et al.		
D553,280 S *	10/2007	Krieger et al.	.....	D26/44
D563,006 S	2/2008	Kingston et al.		
D569,022 S	5/2008	Lin		

\* cited by examiner

*Primary Examiner*—Ian Simmons

*Assistant Examiner*—Carissa C Fitts

(74) *Attorney, Agent, or Firm*—Bruce S. Shapiro; John Yun; Wesley W. Muller

(57) **CLAIM**

The ornamental design for a flashlight, as shown and described.

**DESCRIPTION**

FIG. 1 is a right/front perspective view of a flashlight.

FIG. 2 is a front view thereof.

FIG. 3 is a rear view thereof.

FIG. 4 is a left side view thereof.

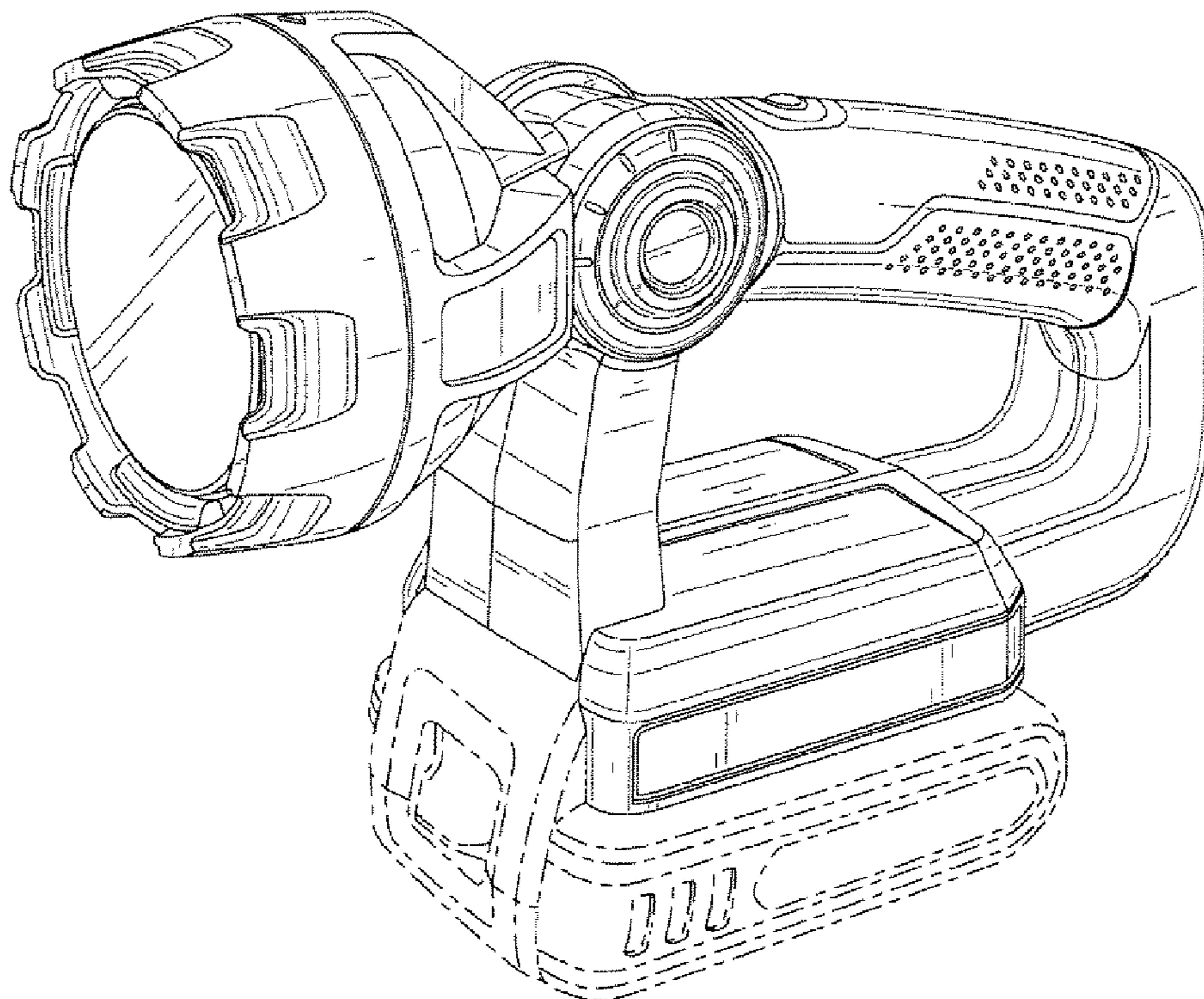
FIG. 5 is a right side view thereof.

FIG. 6 is a top view thereof; and,

FIG. 7 is a bottom view thereof.

The broken lines are for illustrative purposes only and form no part of the claimed design.

**1 Claim, 6 Drawing Sheets**



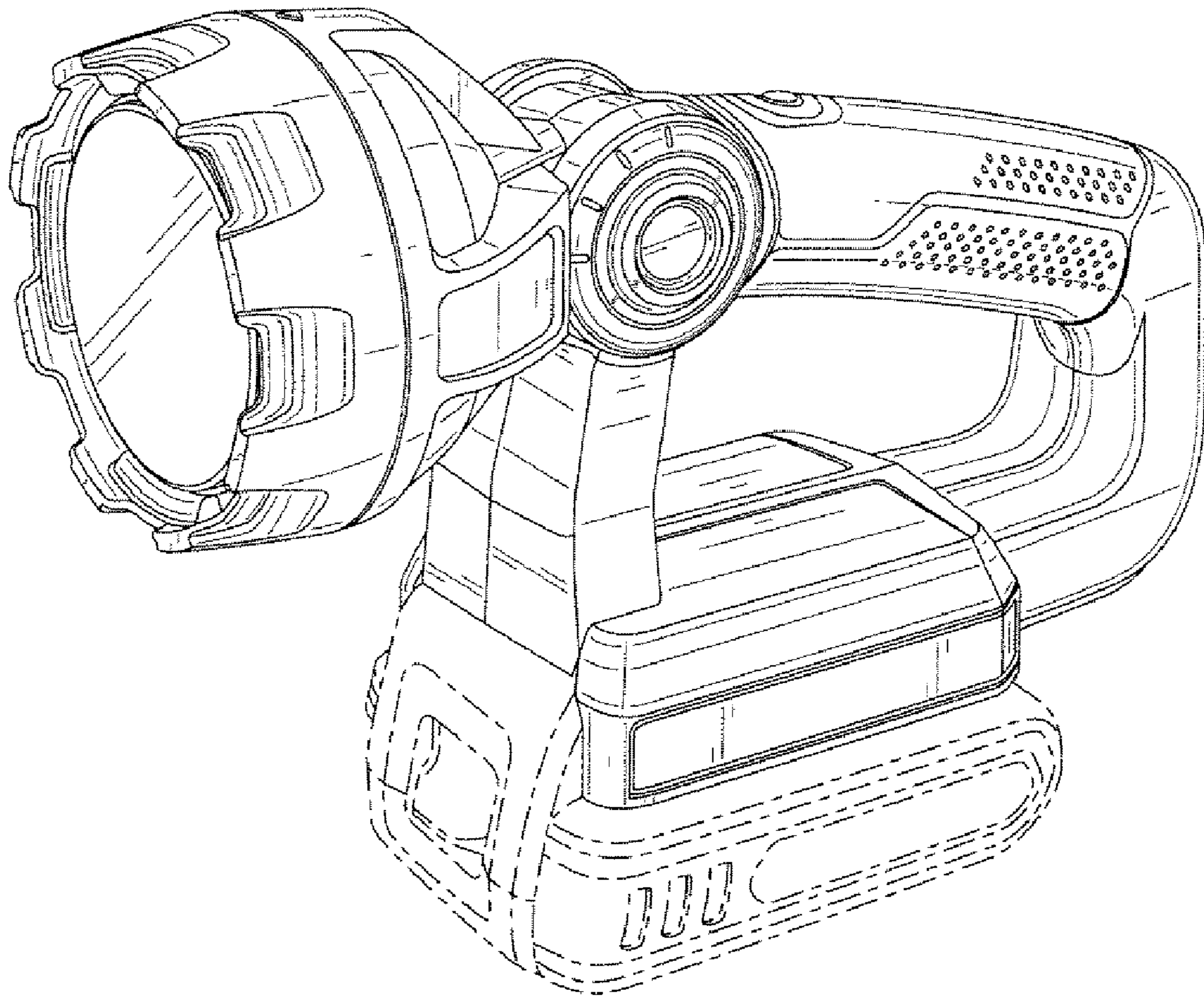


FIG. 1

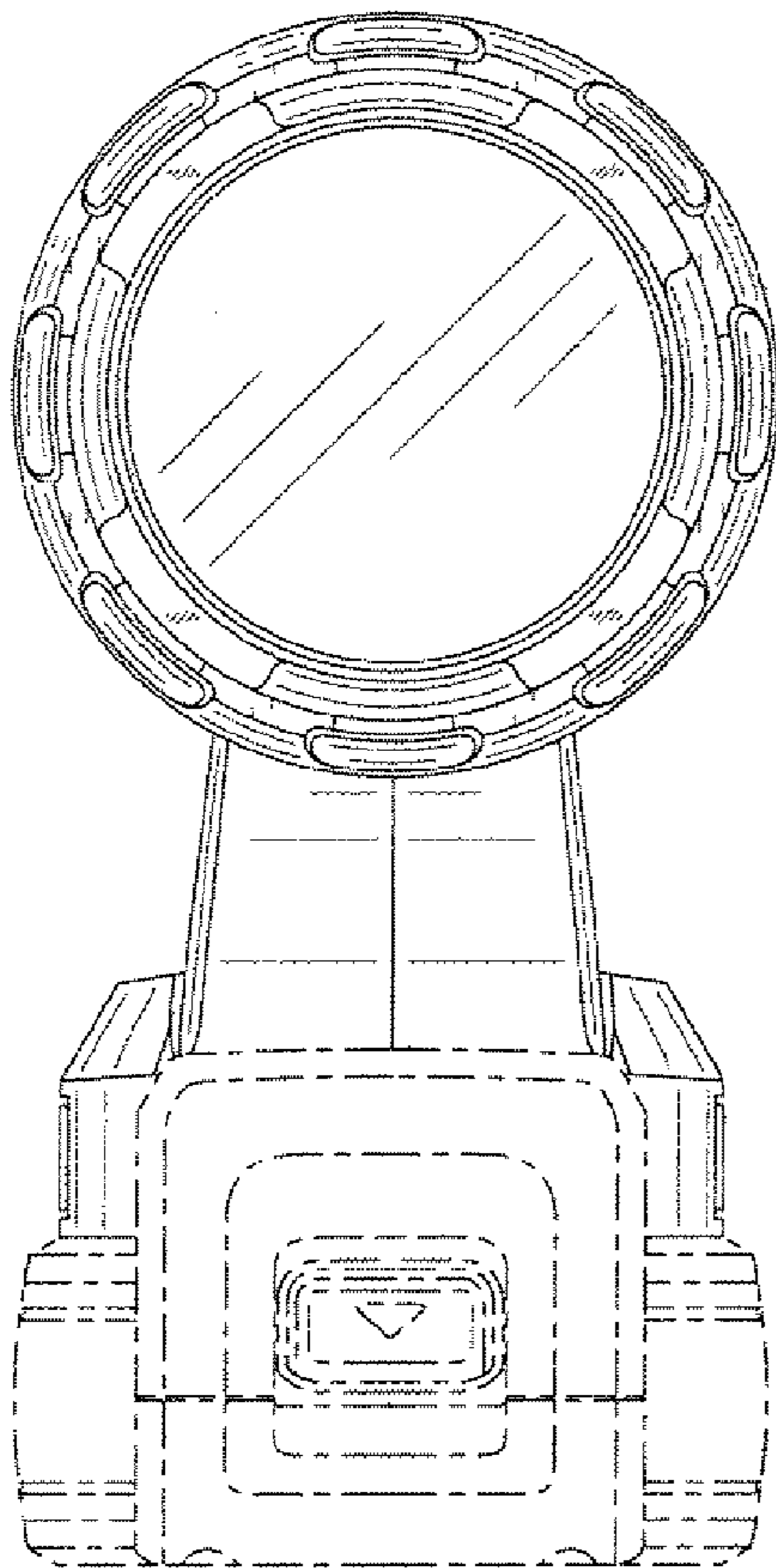


FIG. 2

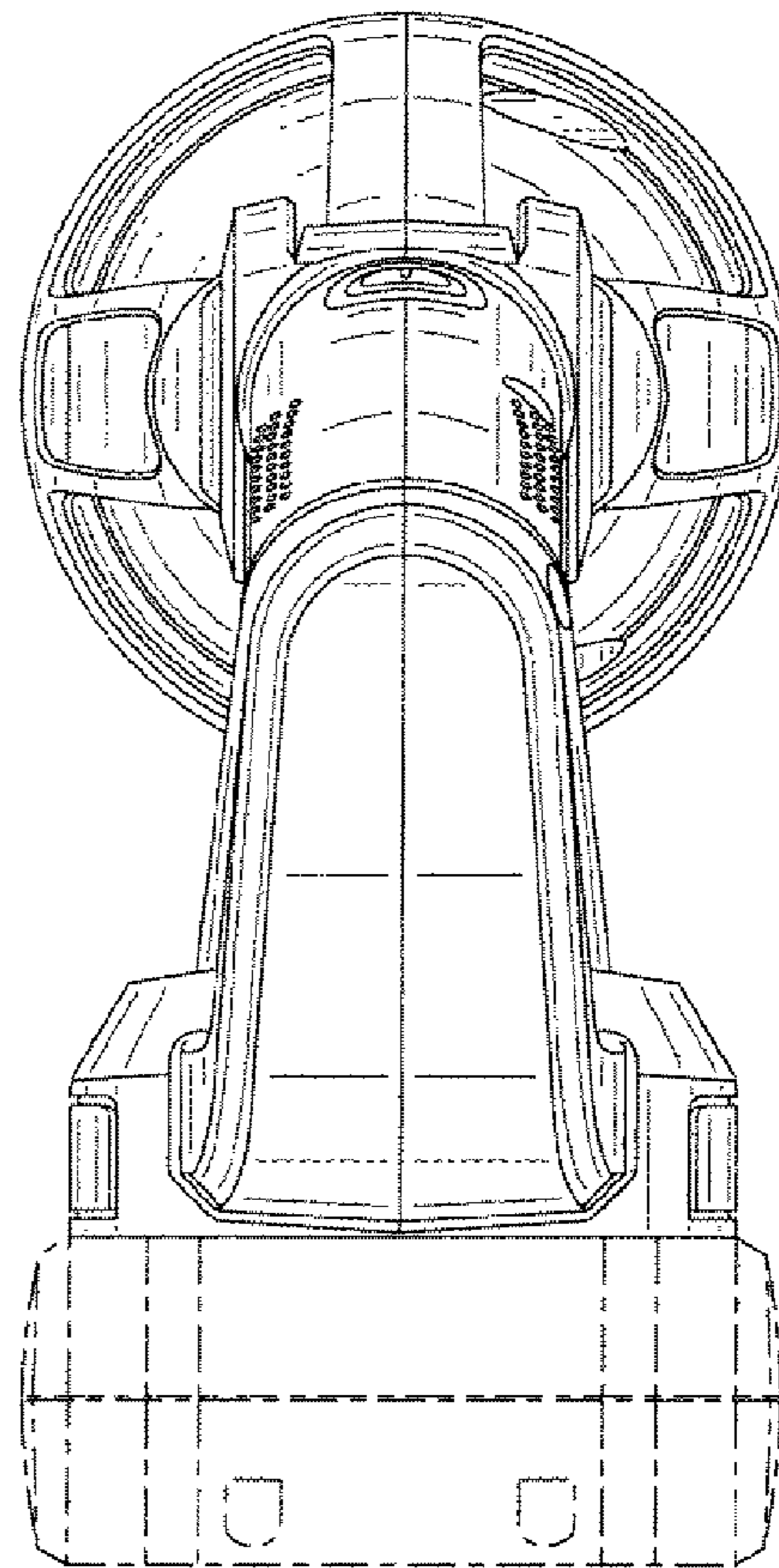


FIG. 3



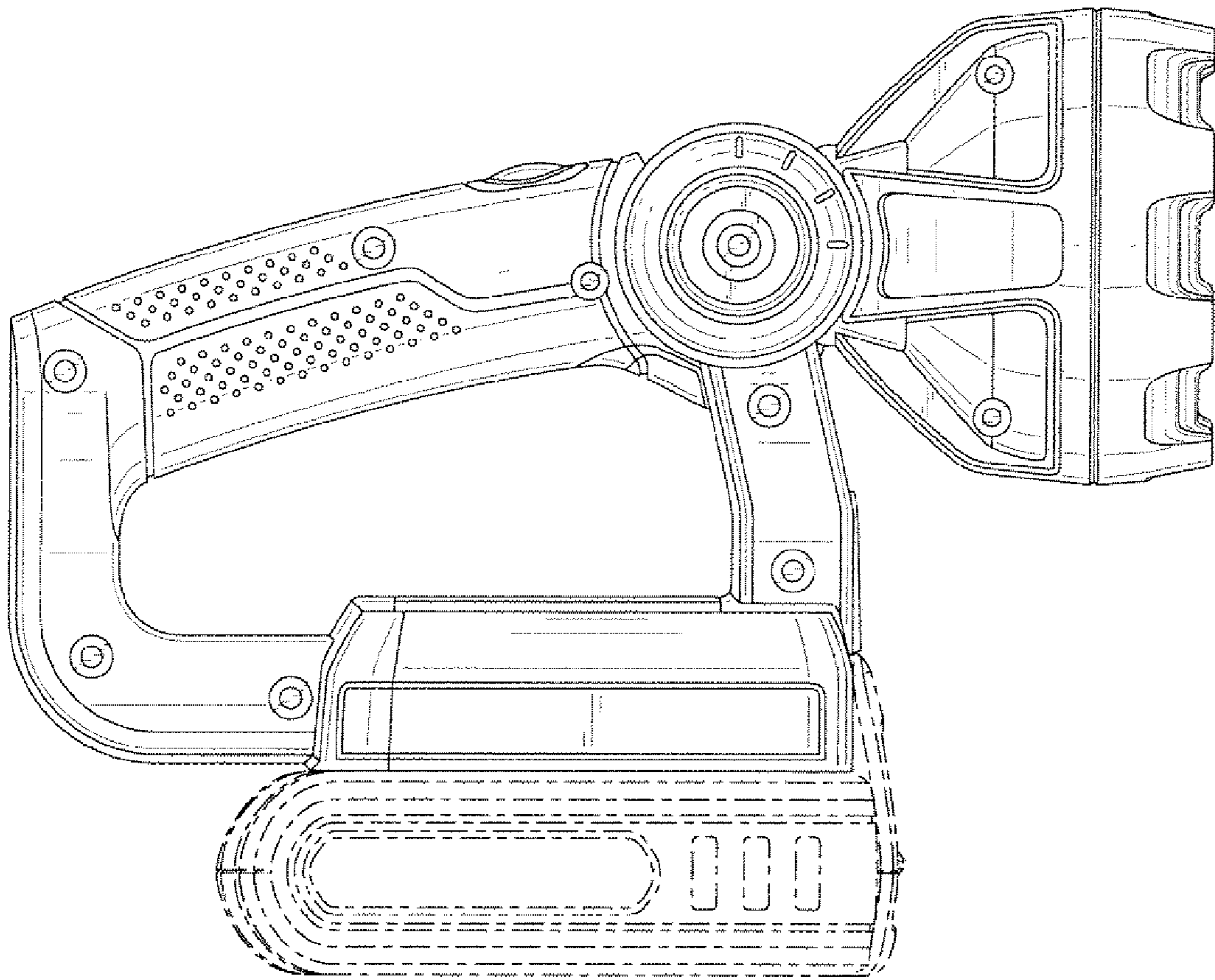


FIG. 4

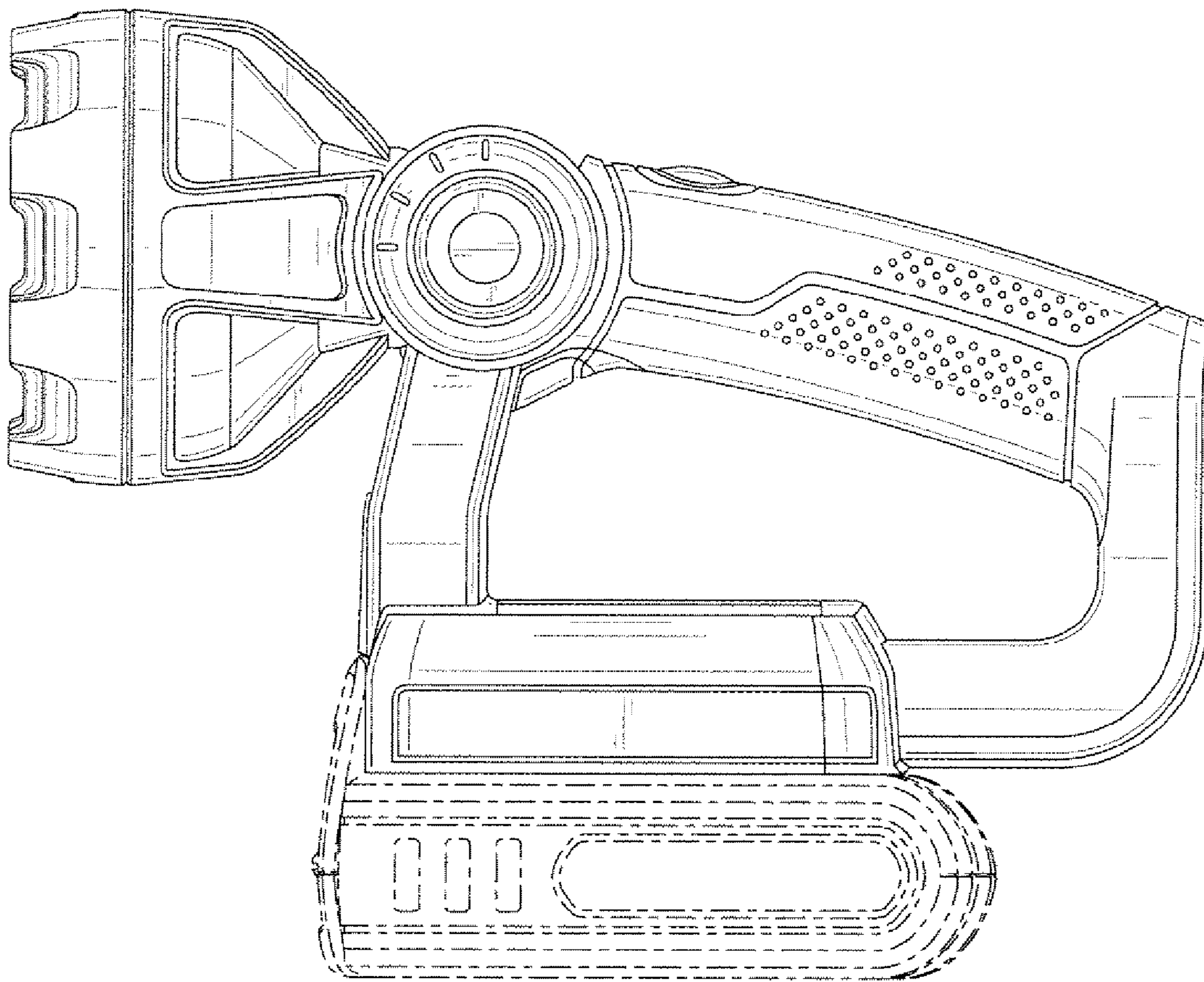


FIG. 5

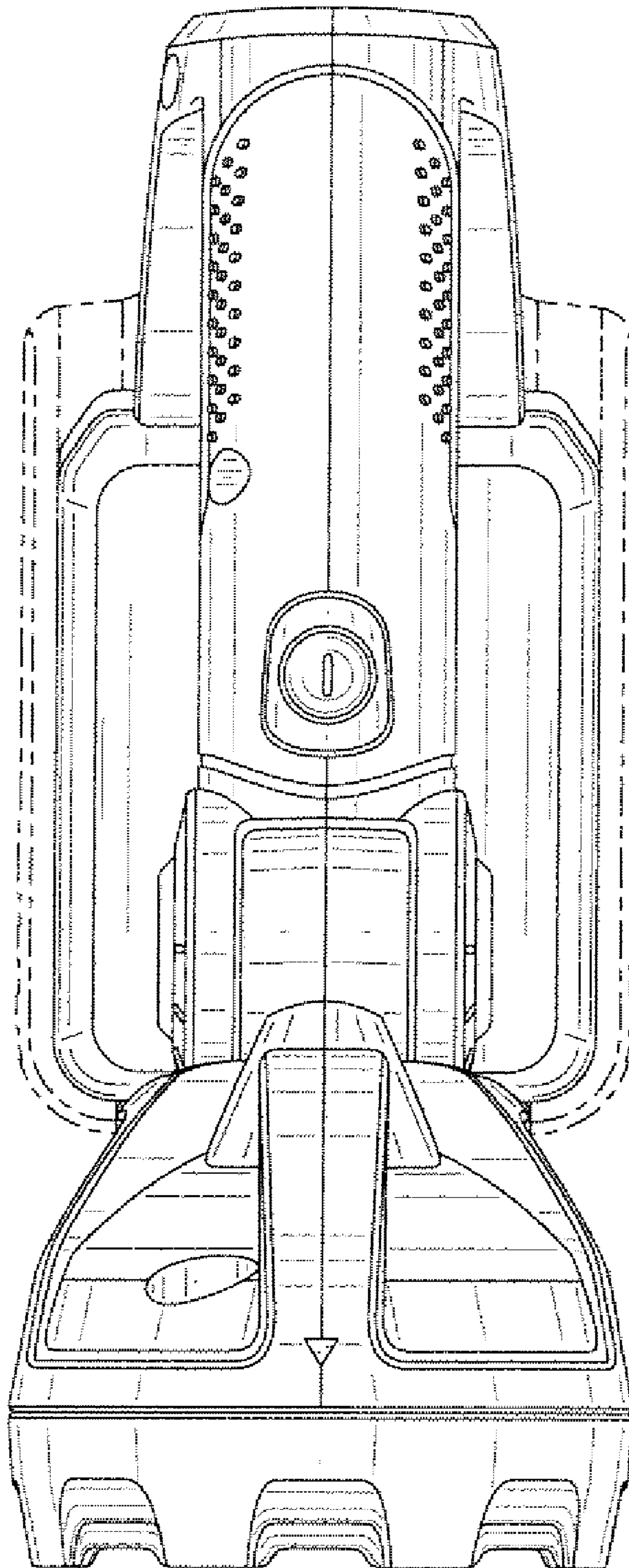


FIG. 6

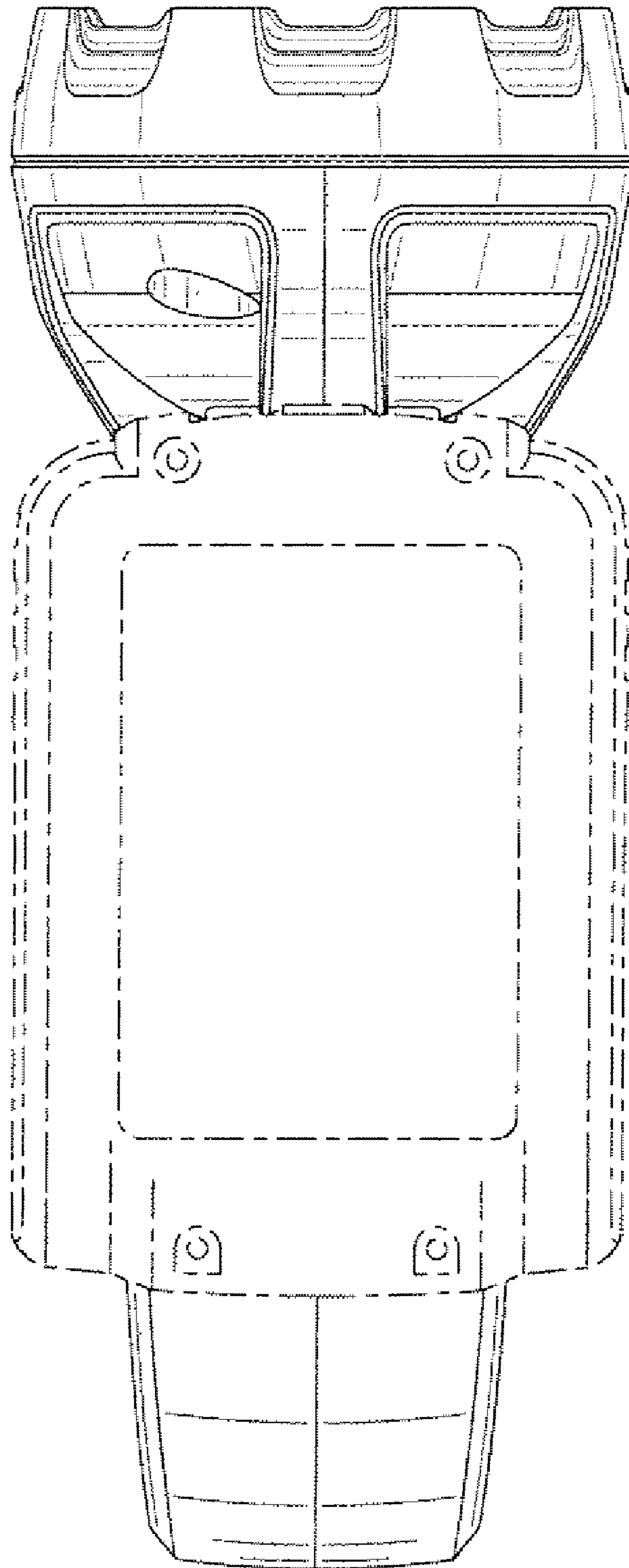


FIG. 7