



US00D599923S

(12) **United States Design Patent**
Shiu

(10) **Patent No.:** **US D599,923 S**

(45) **Date of Patent:** **** Sep. 8, 2009**

(54) **ELECTRIC LANTERN**

(75) **Inventor:** **Stephanie Wai Man Shiu, Kowloon (HK)**

(73) **Assignee:** **Gold Coral International Limited, San Po Kong, Kowloon (HK)**

(**) **Term:** **14 Years**

(21) **Appl. No.:** **29/323,971**

(22) **Filed:** **Sep. 3, 2008**

(30) **Foreign Application Priority Data**

Apr. 18, 2008 (HK) 0801037

(51) **LOC (9) Cl.** **26-02**

(52) **U.S. Cl.** **D26/40**

(58) **Field of Classification Search** D26/37,
D26/40, 41, 42, 43, 44, 46, 49; 362/157,
362/158, 182, 194, 196, 197, 198, 202–208
See application file for complete search history.

(56) **References Cited**

U.S. PATENT DOCUMENTS

D344,348 S *	2/1994	Lo	D26/41
D407,512 S *	3/1999	Yuen	D26/41
D429,832 S *	8/2000	Poon	D26/40
D486,598 S *	2/2004	Lo	D26/40
D500,378 S *	12/2004	Kung	D26/40
D535,419 S *	1/2007	Shiu	D26/40

D547,891 S *	7/2007	Shiu	D26/40
D553,272 S *	10/2007	Leung	D26/37
D554,785 S *	11/2007	Brown et al.	D26/41
D556,929 S *	12/2007	Tarter et al.	D26/40

* cited by examiner

Primary Examiner—Ian Simmons

Assistant Examiner—Carissa C Fitts

(74) *Attorney, Agent, or Firm*—Joseph G. Swan, PC

(57) **CLAIM**

The ornamental design for a electric lantern, as shown and described.

DESCRIPTION

FIG. 1 is a front elevational view of an electric lantern according to the present invention.

FIG. 2 is a rear elevational view of the electric lantern.

FIG. 3 is a left side elevational view of the electric lantern.

FIG. 4 is a right side elevational view of the electric lantern.

FIG. 5 is a top plan view of the electric lantern; and,

FIG. 6 is a bottom plan view of the electric lantern.

The broken lines immediately adjacent the shaded areas represent the bounds of the claimed design while all other broken lines are directed to environment and are for illustrative purposes only; the broken lines form no part of the claimed design.

1 Claim, 5 Drawing Sheets

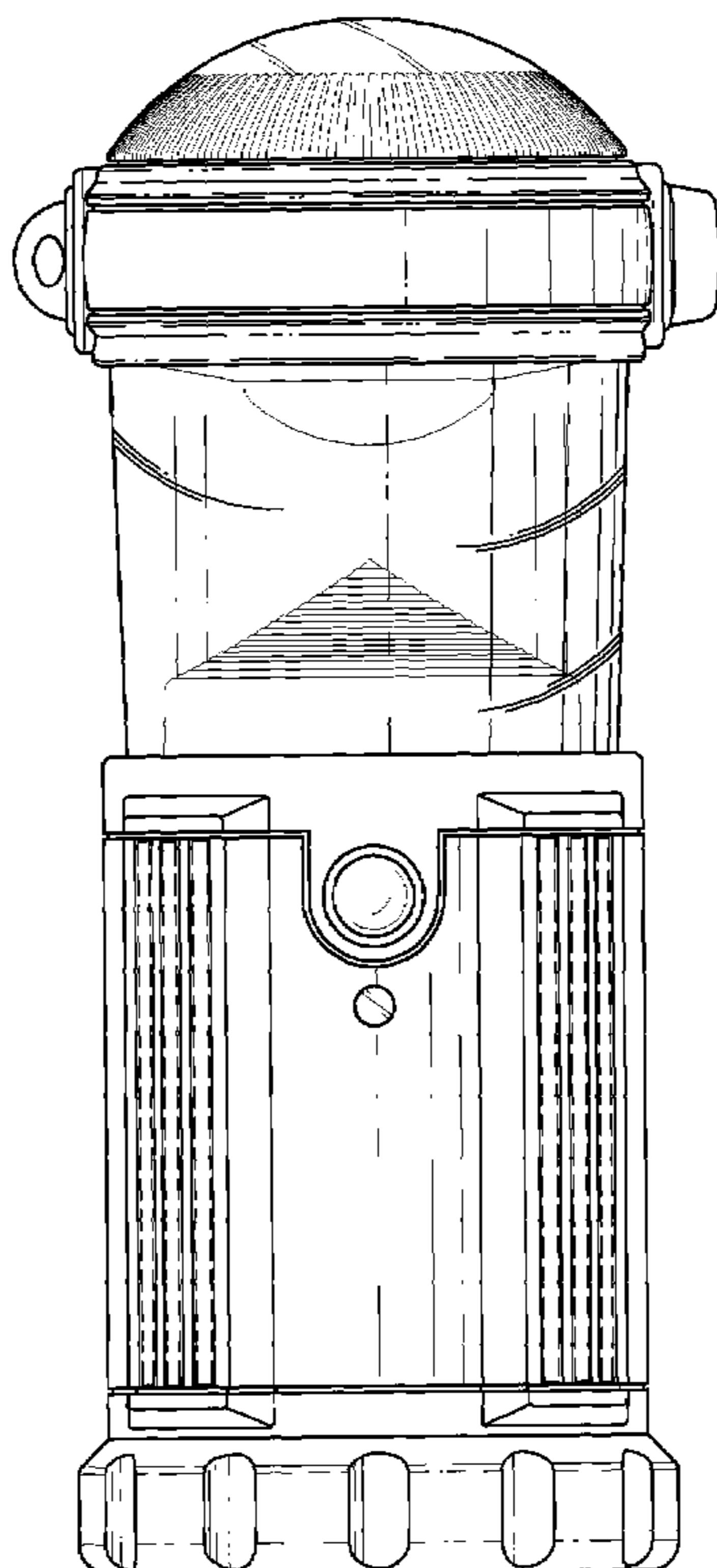


FIG. 1

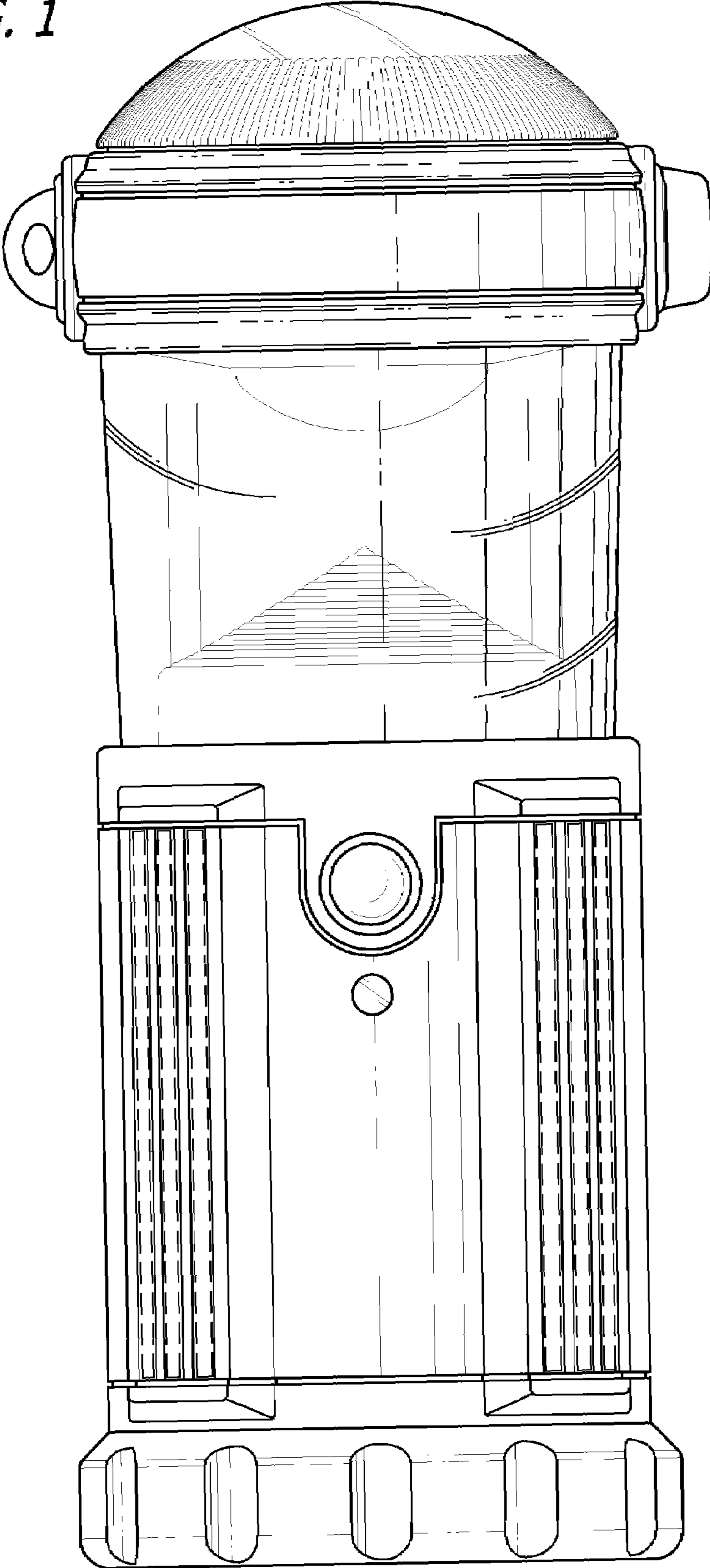


FIG. 2

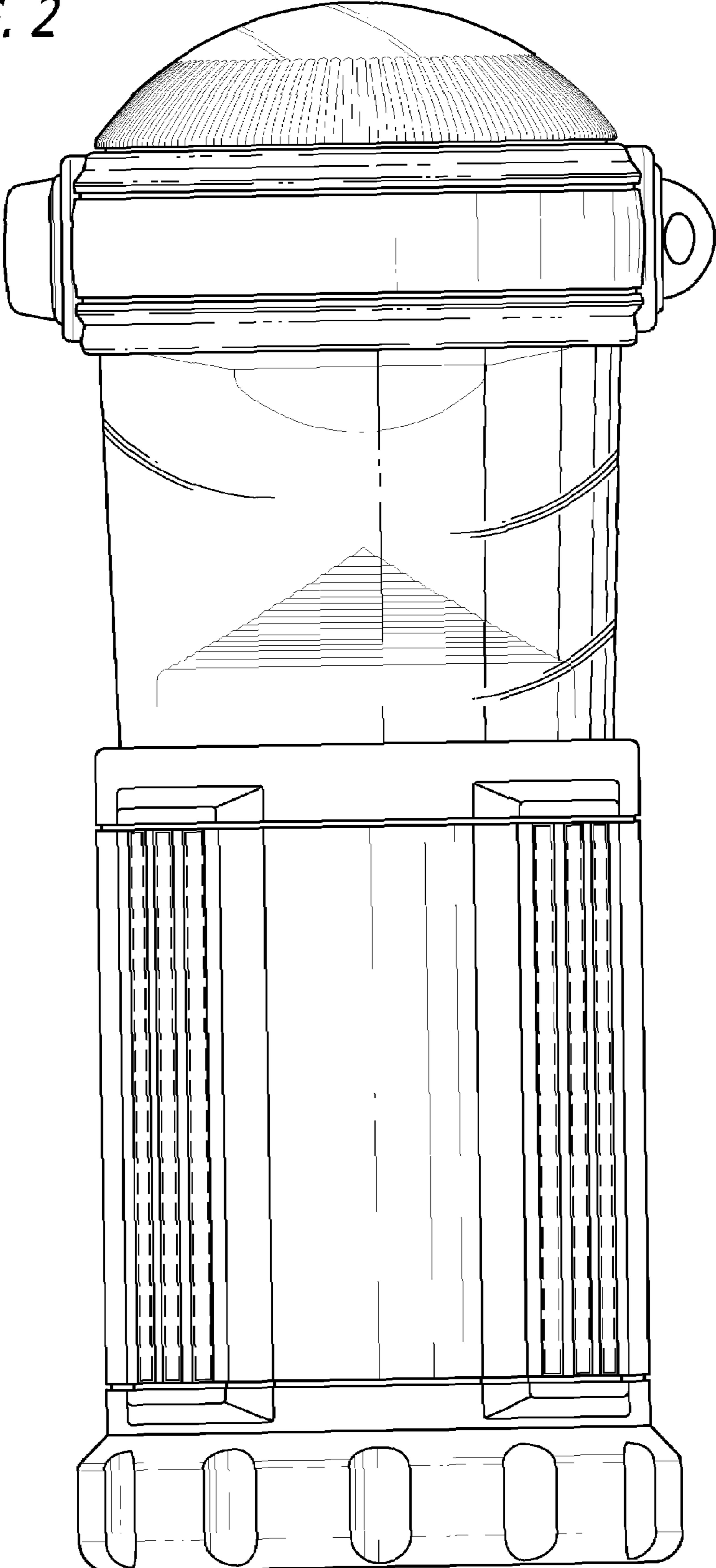


FIG. 3

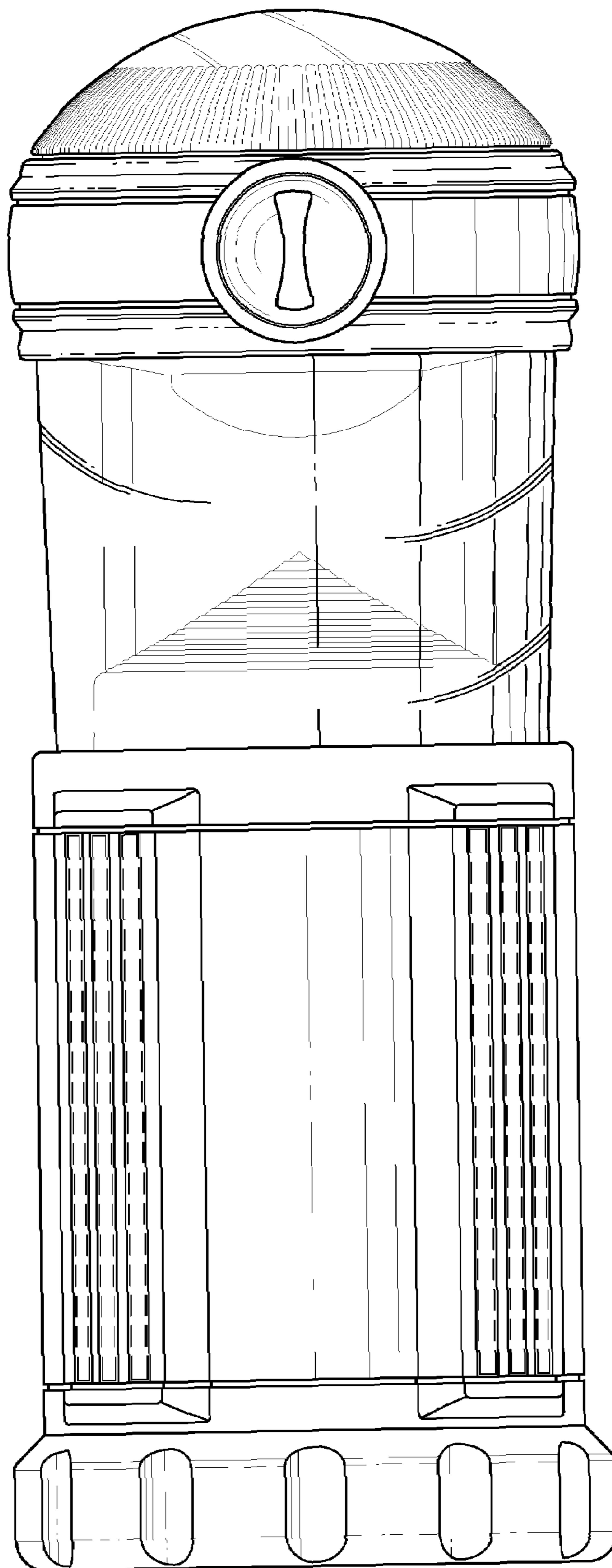


FIG. 4

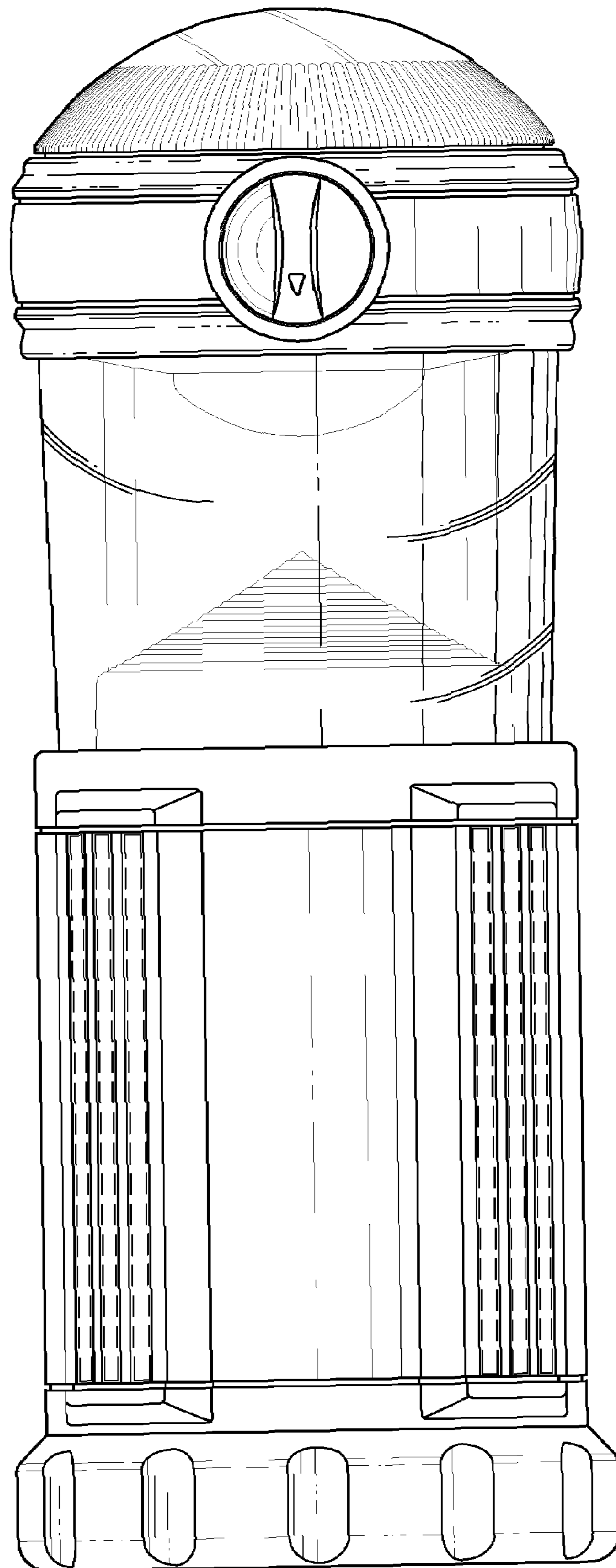


FIG. 5

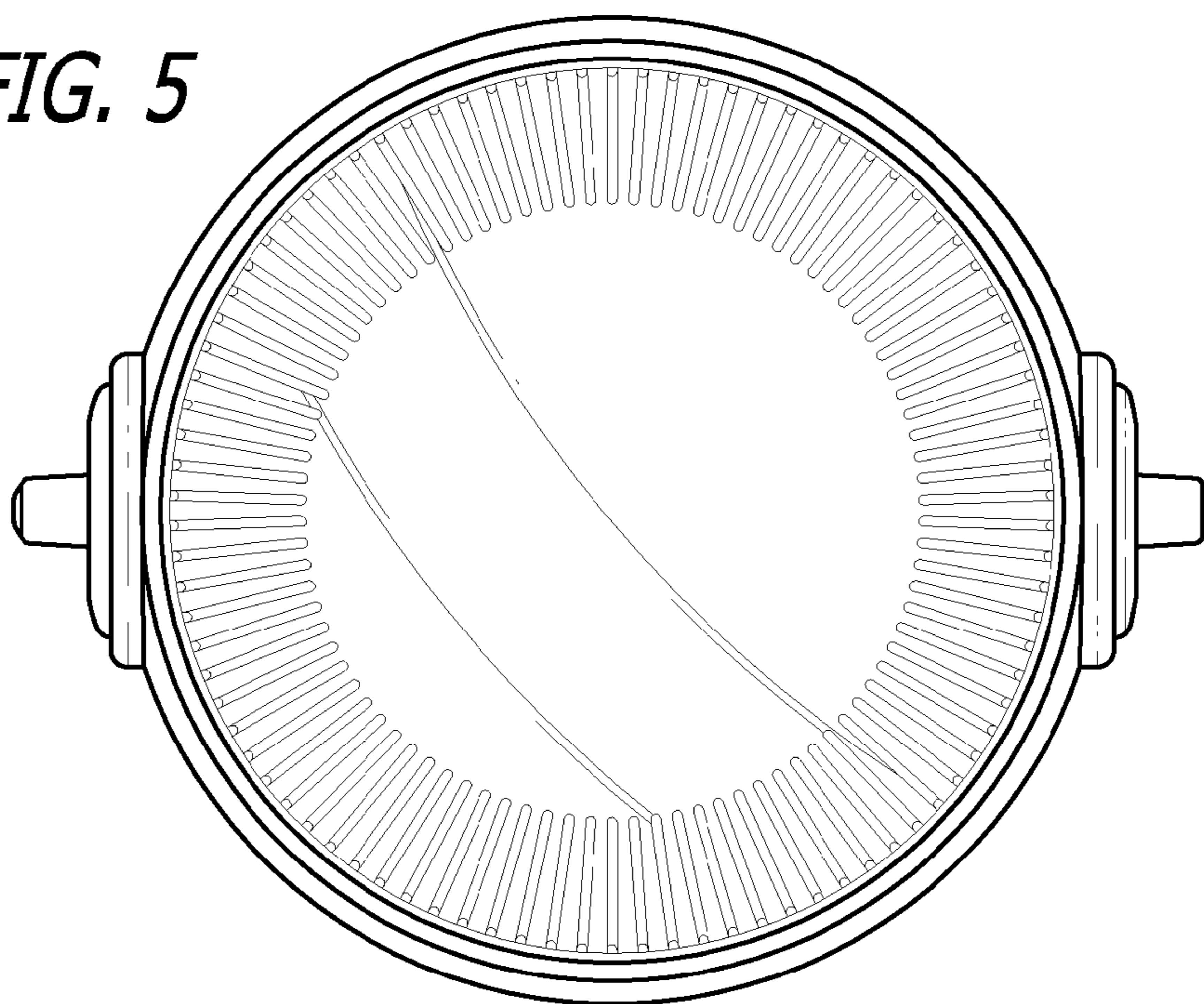


FIG. 6

