



US00D599921S

(12) **United States Design Patent**  
**Rivardo et al.**

(10) **Patent No.:** **US D599,921 S**  
(45) **Date of Patent:** **\*\* Sep. 8, 2009**

(54) **SURFACE MOUNTABLE UNDERWATER LIGHT**

(75) Inventors: **Wayne Rivardo**, Palm Beach Gardens, FL (US); **Kevin P. Mason, II**, Stuart, FL (US)

(73) Assignee: **Fish Factory Lighting, Inc.**, Stuart, FL (US)

(\*\*) Term: **14 Years**

(21) Appl. No.: **29/325,776**

(22) Filed: **Oct. 6, 2008**

(51) **LOC (9) Cl.** ..... **26-03**

(52) **U.S. Cl.** ..... **D26/24**

(58) **Field of Classification Search** ..... D26/24, D26/26, 37, 38, 39, 40, 44, 47, 49, 51, 52, D26/57, 60, 61, 63, 67, 72, 73, 88, 95, 113, D26/118, 125, 156, 85, 89; D13/107, 108; D14/432, 435.1, 255, 356; D23/366, 367, D23/369; 362/217.02, 640, 641, 642, 643, 362/644, 652, 653, 657, 658, 659, 477, 88, 362/89, 98, 103, 104, 105, 109, 157, 171, 362/183, 190, 191, 194, 195, 249.1, 249.11, 362/311.01, 311.04, 311.05, 806, 147, 404  
See application file for complete search history.

(56) **References Cited**

**U.S. PATENT DOCUMENTS**

D373,183 S \* 8/1996 Beyer ..... D23/364  
6,322,226 B1 \* 11/2001 Dickson ..... 362/33  
D484,270 S \* 12/2003 Yiu ..... D26/89  
6,663,260 B1 \* 12/2003 Tieszen ..... 362/249.06

D544,117 S \* 6/2007 Coushaine ..... D26/37  
D560,829 S \* 1/2008 Mason, II ..... D26/28  
D561,372 S \* 2/2008 Yan ..... D26/72  
D561,373 S \* 2/2008 Yan ..... D26/72  
D561,924 S \* 2/2008 Yiu ..... D26/72  
D562,492 S \* 2/2008 Chen ..... D26/85  
D577,836 S \* 9/2008 Engebrigtsen ..... D26/24  
D586,491 S \* 2/2009 Levine ..... D26/63  
2003/0209533 A1 \* 11/2003 Tanner et al. .... 219/445.1  
2006/0250789 A1 \* 11/2006 Coushaine ..... 362/157

\* cited by examiner

*Primary Examiner*—Jennifer Rivard

*Assistant Examiner*—Angela J Lee

(74) *Attorney, Agent, or Firm*—McHale & Slavin, P.A.

(57) **CLAIM**

The ornamental design for a surface mountable underwater light, as shown and described.

**DESCRIPTION**

FIG. 1 is a front perspective view of the surface mountable underwater light of the instant invention;

FIG. 2 is a bottom view thereof;

FIG. 3 is a top view thereof;

FIG. 4 is a front view thereof;

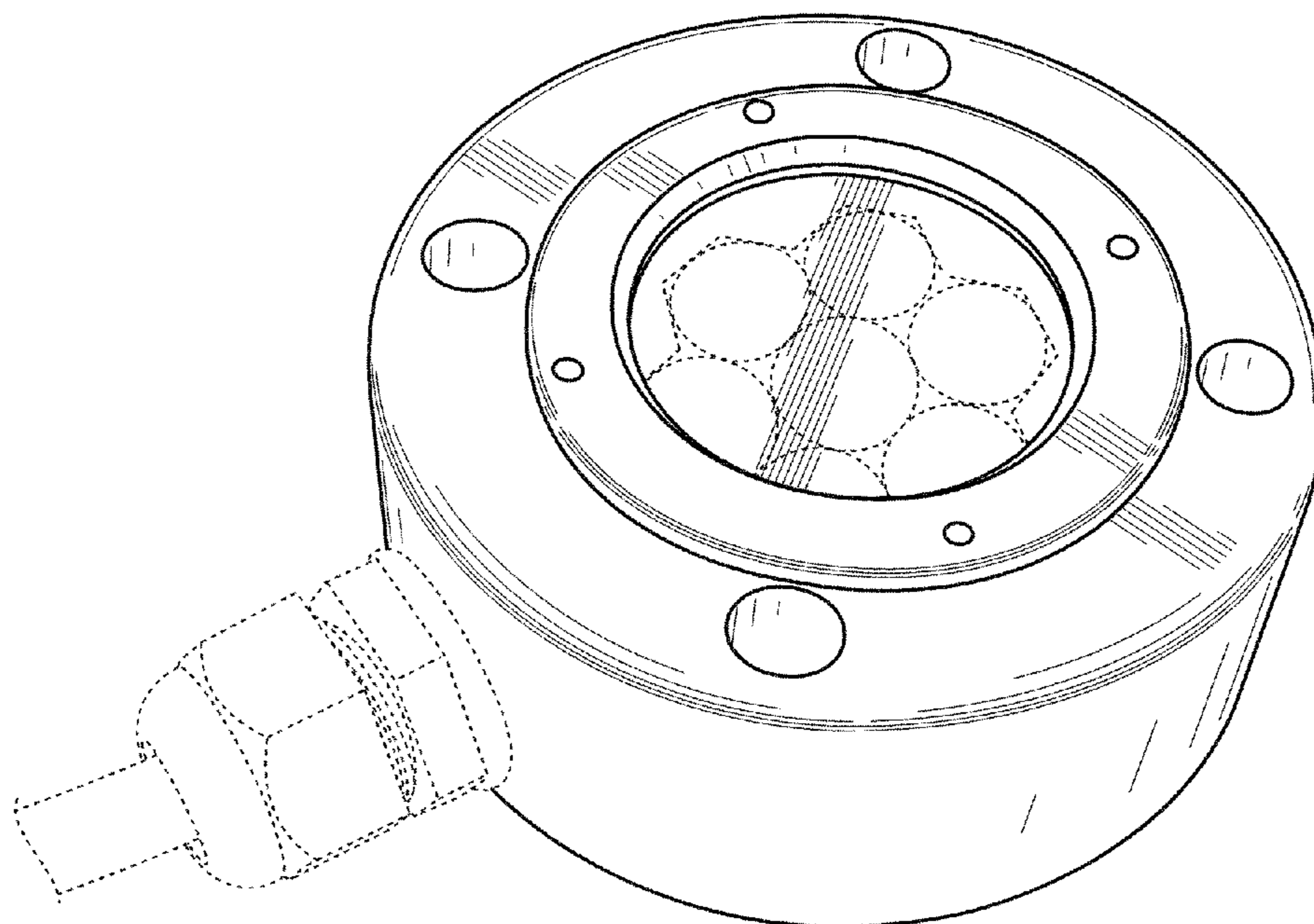
FIG. 5 is a rear view thereof;

FIG. 6 is a right side view thereof; and,

FIG. 7 is a left side view thereof.

The portions of the figures shown in broken lines are for illustrative purposes only and form no part of the claimed invention.

**1 Claim, 7 Drawing Sheets**



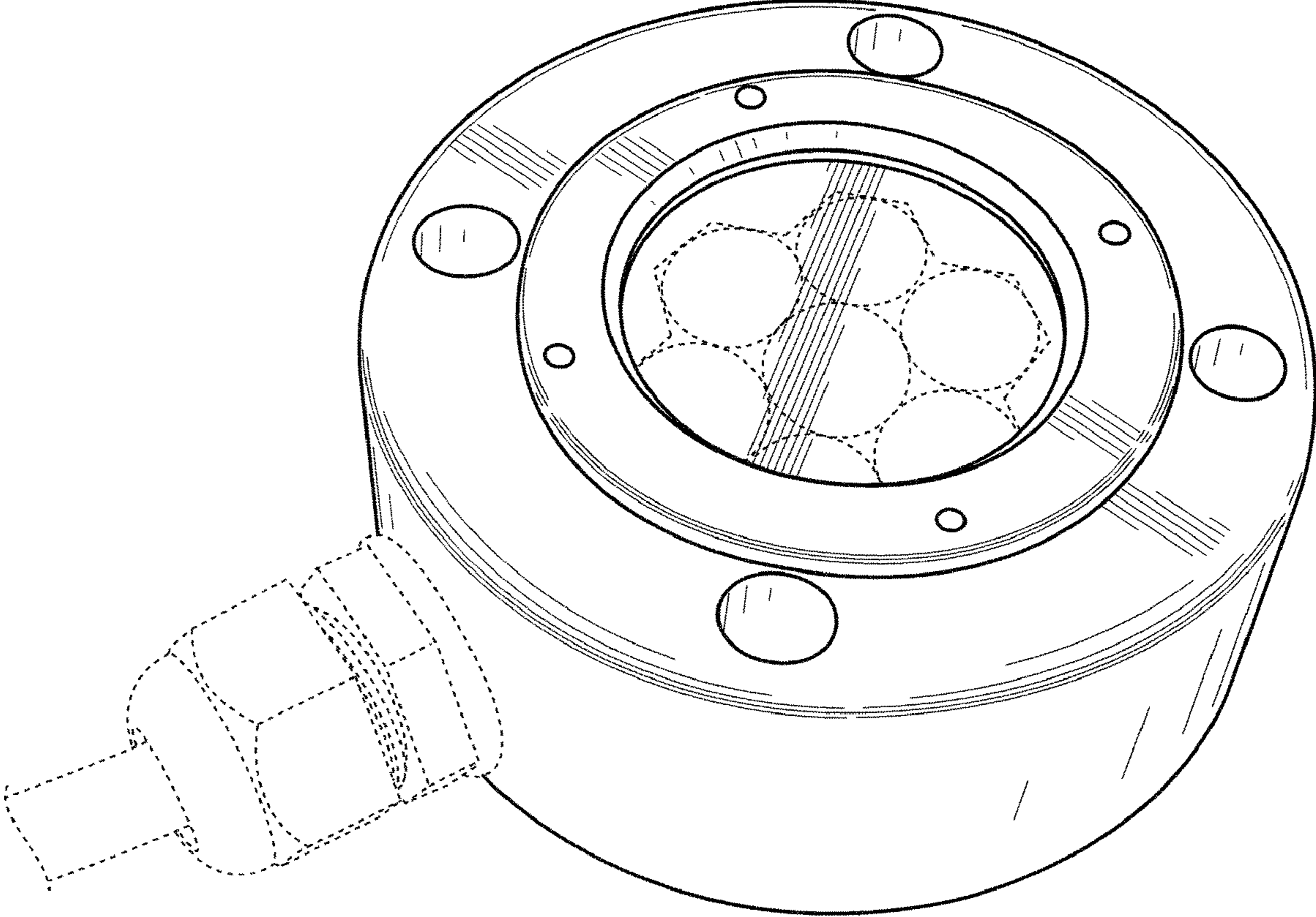
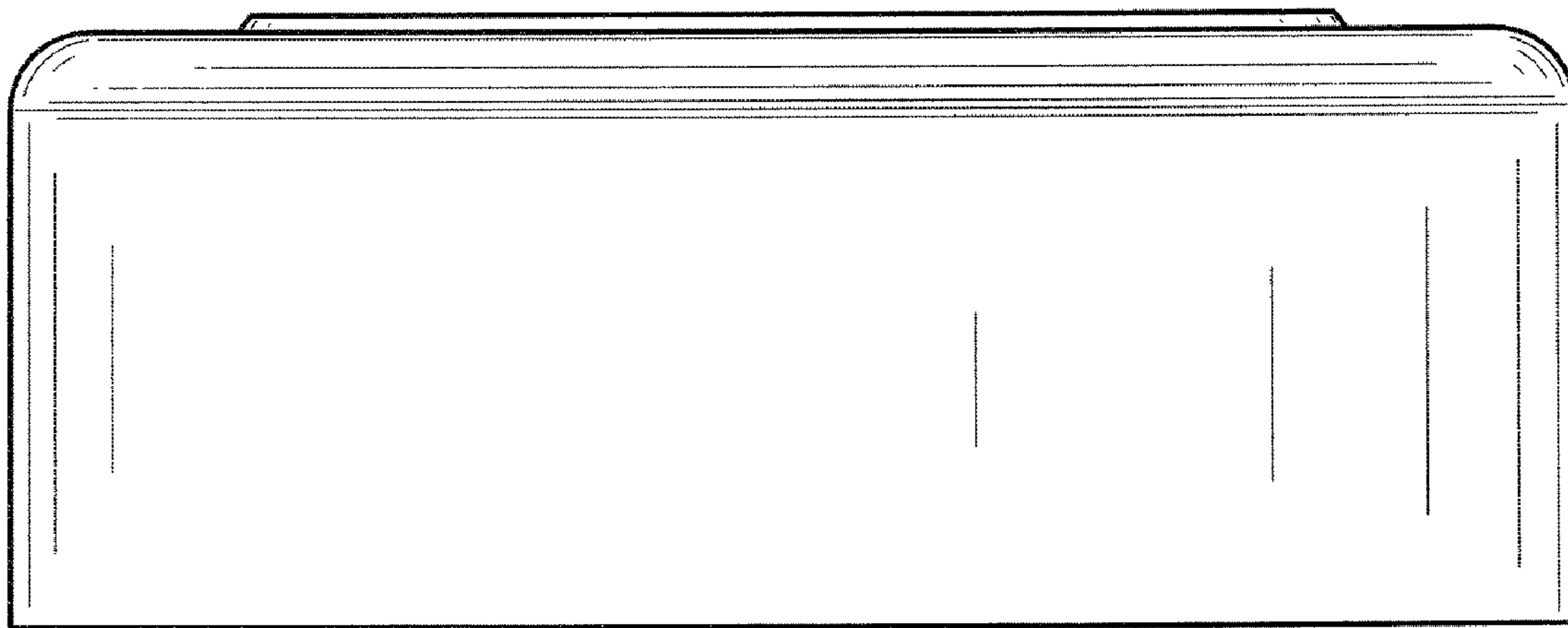
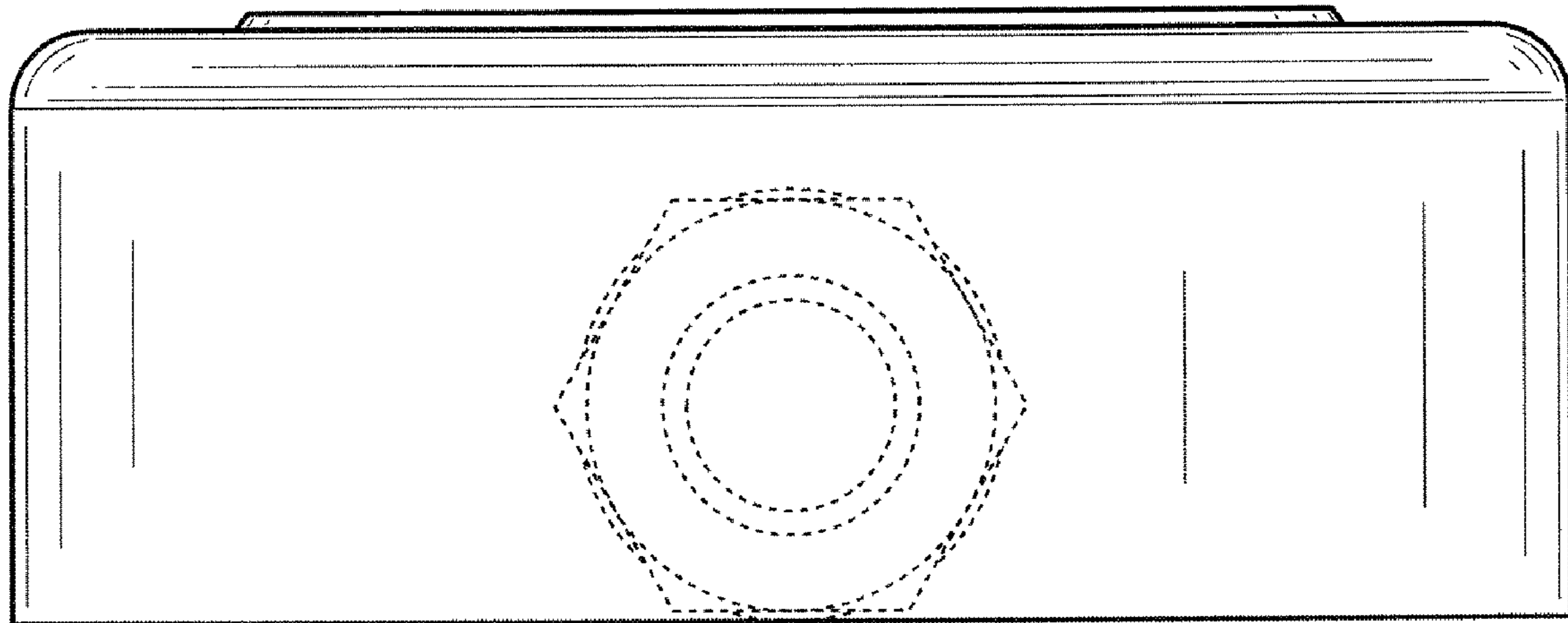


FIG. 1



**FIG. 2**



**FIG. 3**



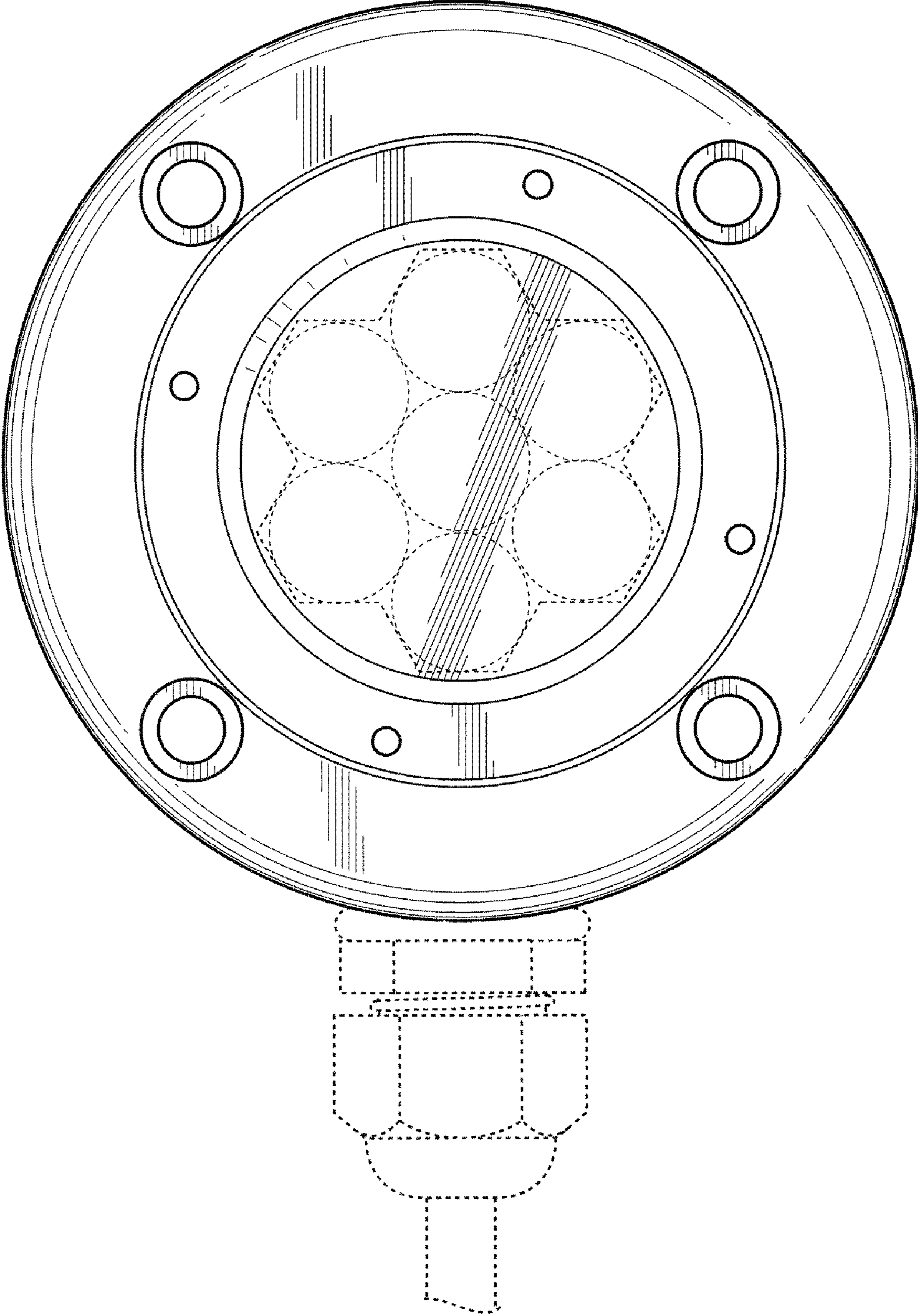


FIG. 4

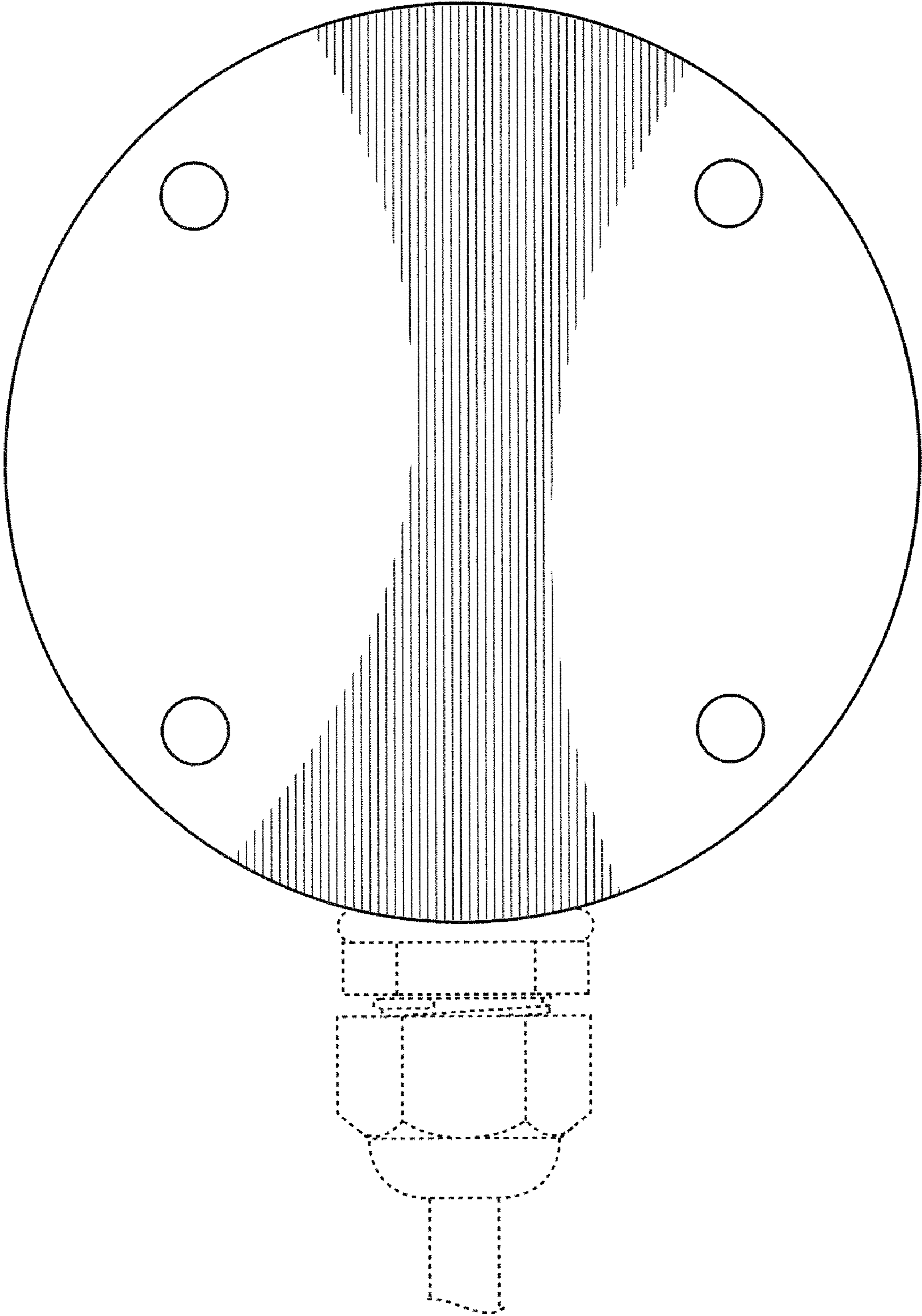


FIG. 5

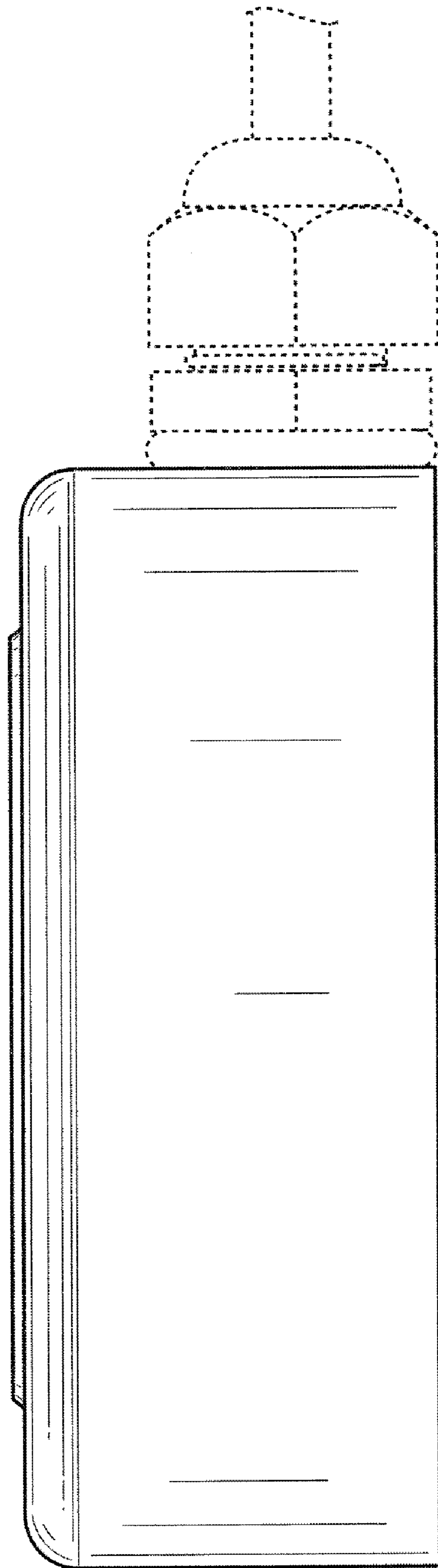


FIG. 6

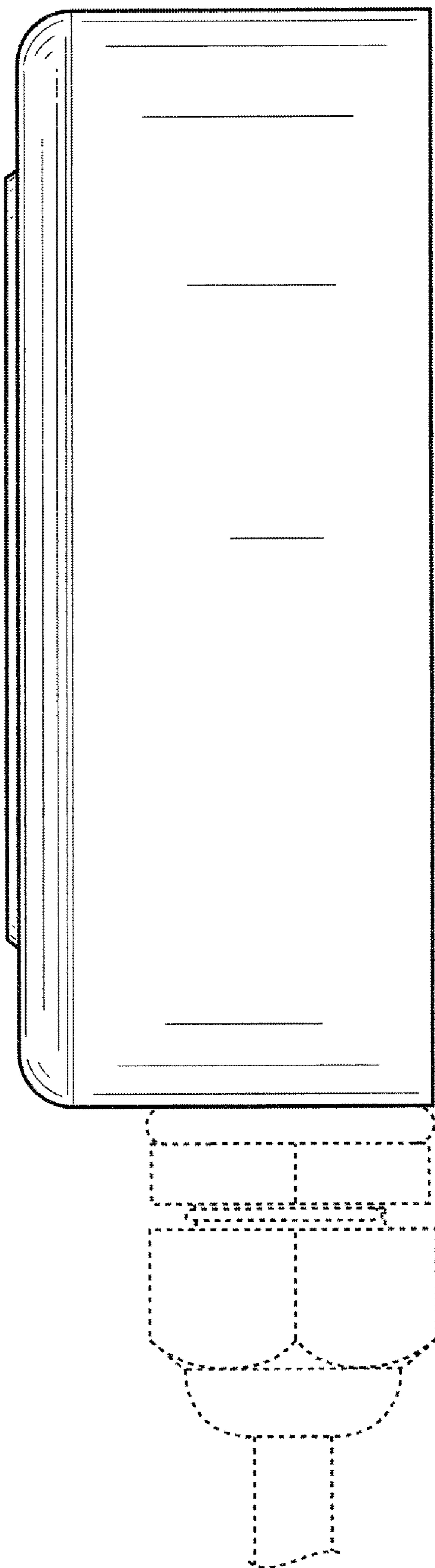


FIG. 7