



US00D599915S

(12) **United States Design Patent**
Godwin

(10) **Patent No.:** **US D599,915 S**

(45) **Date of Patent:** **** Sep. 8, 2009**

(54) **SURFACE MOUNT**

(75) Inventor: **Aaron Godwin**, Hatboro, PA (US)

(73) Assignee: **Jerith Manufacturing Company, Inc.**,
Philadelphia, PA (US)

(**) Term: **14 Years**

(21) Appl. No.: **29/297,983**

(22) Filed: **Nov. 26, 2007**

(51) **LOC (9) Cl.** **25-01**

(52) **U.S. Cl.** **D25/133**

(58) **Field of Classification Search** D25/38,
D25/43, 126, 133; D8/354; 52/166, 169.14,
52/720.2, 721.5, 736.3, 736.4, 737.4, 737.5,
52/146, 170; 248/218.4; 256/65.08, 65.11,
256/65.15, 65.16, 59, 65.01, 68, 72, 65.02,
256/65.04

See application file for complete search history.

(56) **References Cited**

U.S. PATENT DOCUMENTS

D348,738 S * 7/1994 Jasinsky D25/133
6,324,800 B1 * 12/2001 Valentz et al. 52/298

6,857,808 B1 * 2/2005 Sugimoto et al. 403/41
D513,536 S * 1/2006 Walker D25/133
D547,463 S * 7/2007 Gross et al. D25/133
2003/0233793 A1 * 12/2003 Burkart et al. 52/165

* cited by examiner

Primary Examiner—Selina Sikder

(74) *Attorney, Agent, or Firm*—Volpe and Koenig, P.C.

(57) **CLAIM**

The ornamental design for a surface mount, as shown and described.

DESCRIPTION

FIG. 1 is a top perspective view of the surface mount with a post in phantom;

FIG. 2 is a bottom perspective view of the surface mount;

FIG. 3 is a top plan view of the surface mount;

FIG. 4 is a side elevation of the surface mount, all side of the surface mount having the view; and,

FIG. 5 is a bottom plan view of the surface mount.

The broken line showing of the post is for illustrative purposes only and forms no part of the claimed design.

1 Claim, 3 Drawing Sheets

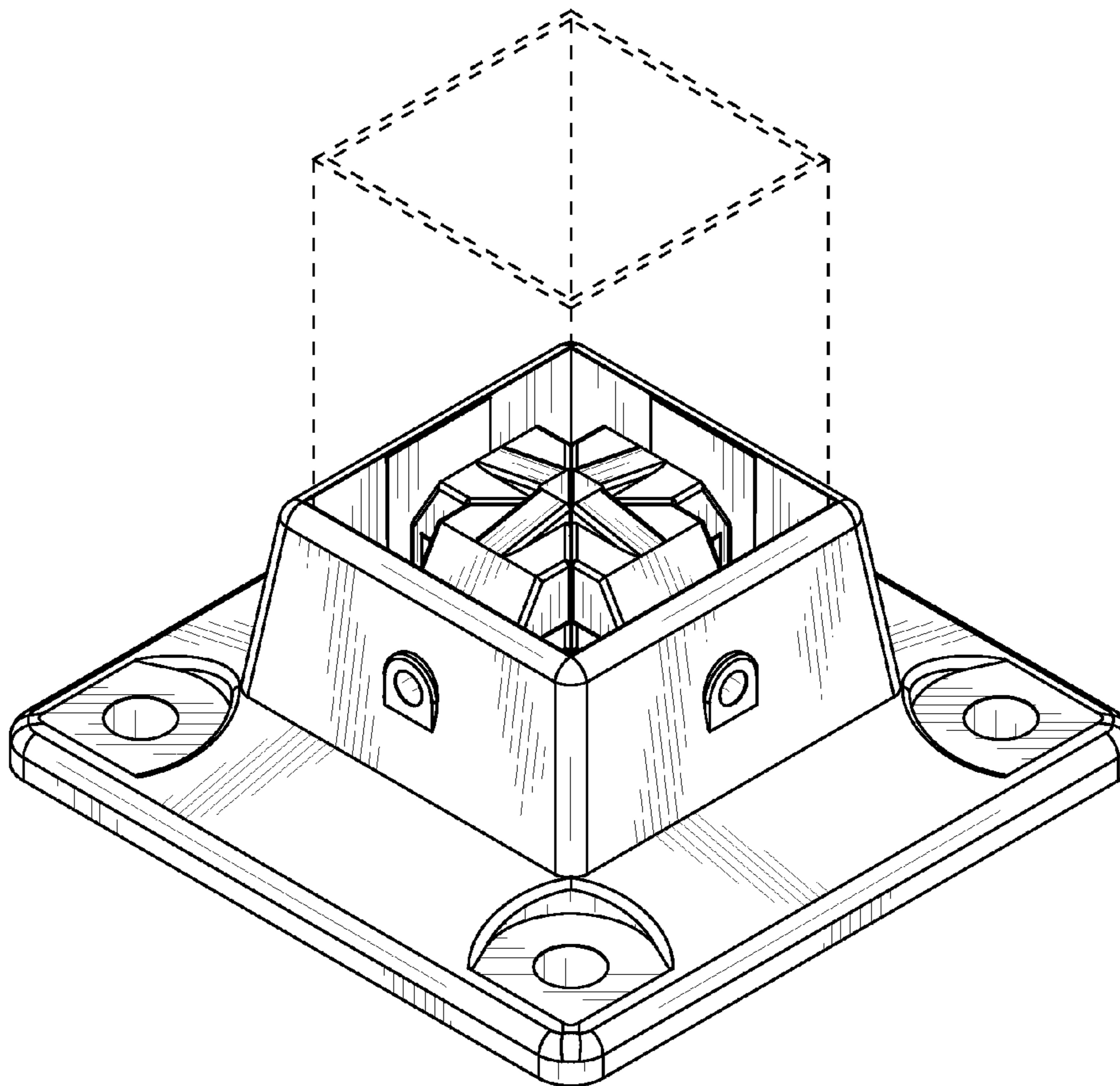


FIG. 1

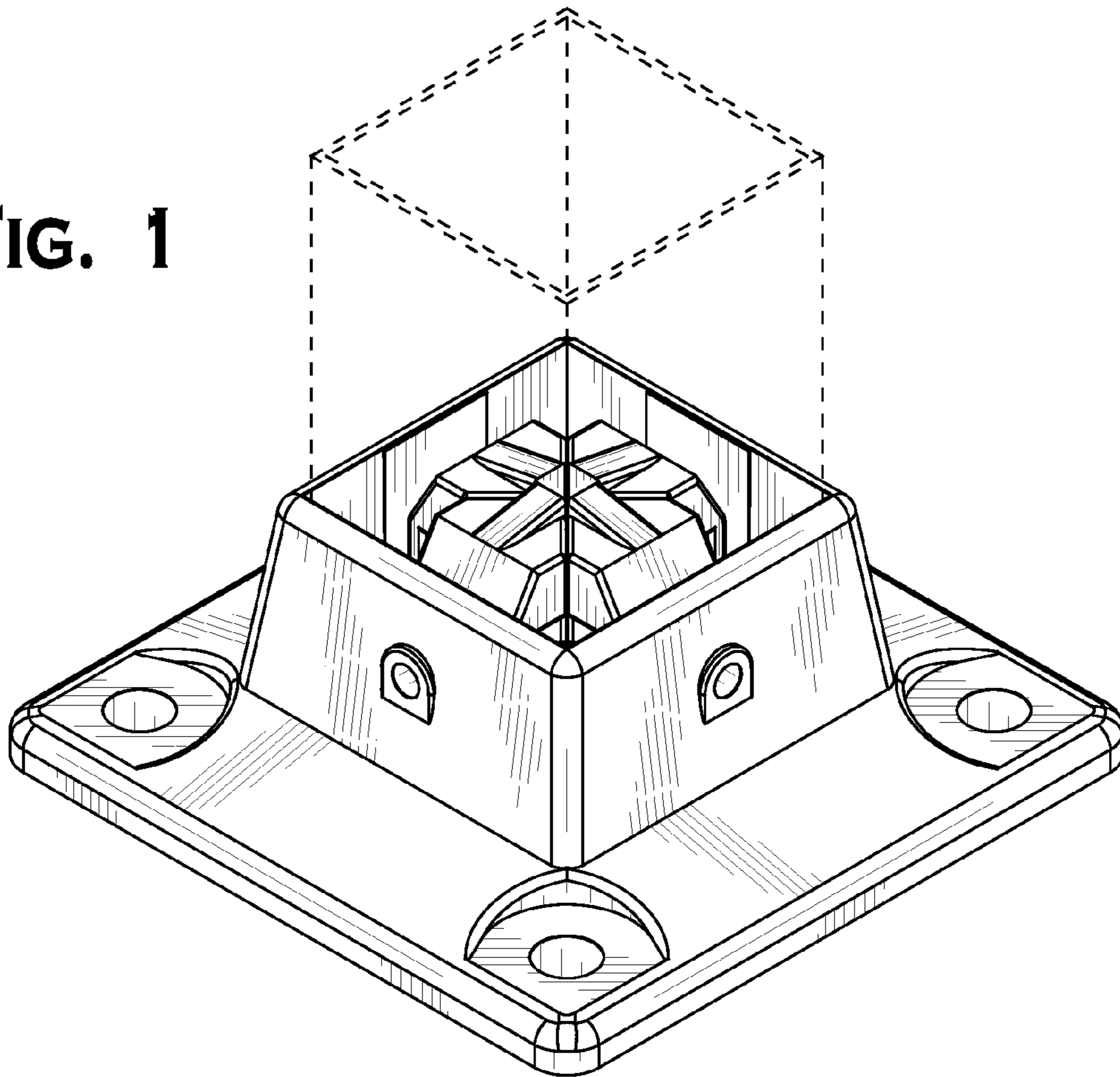


FIG. 2

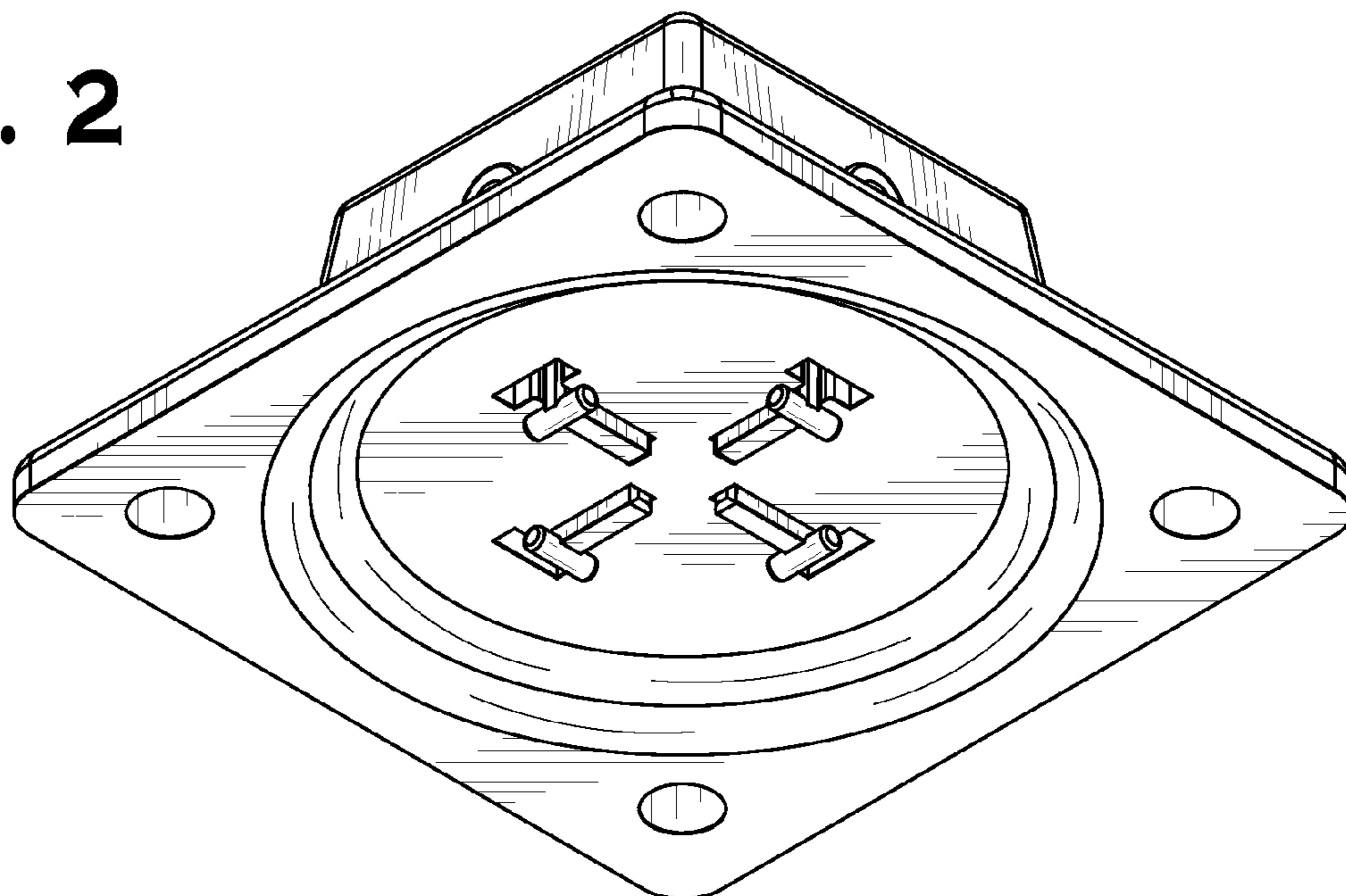


FIG. 3

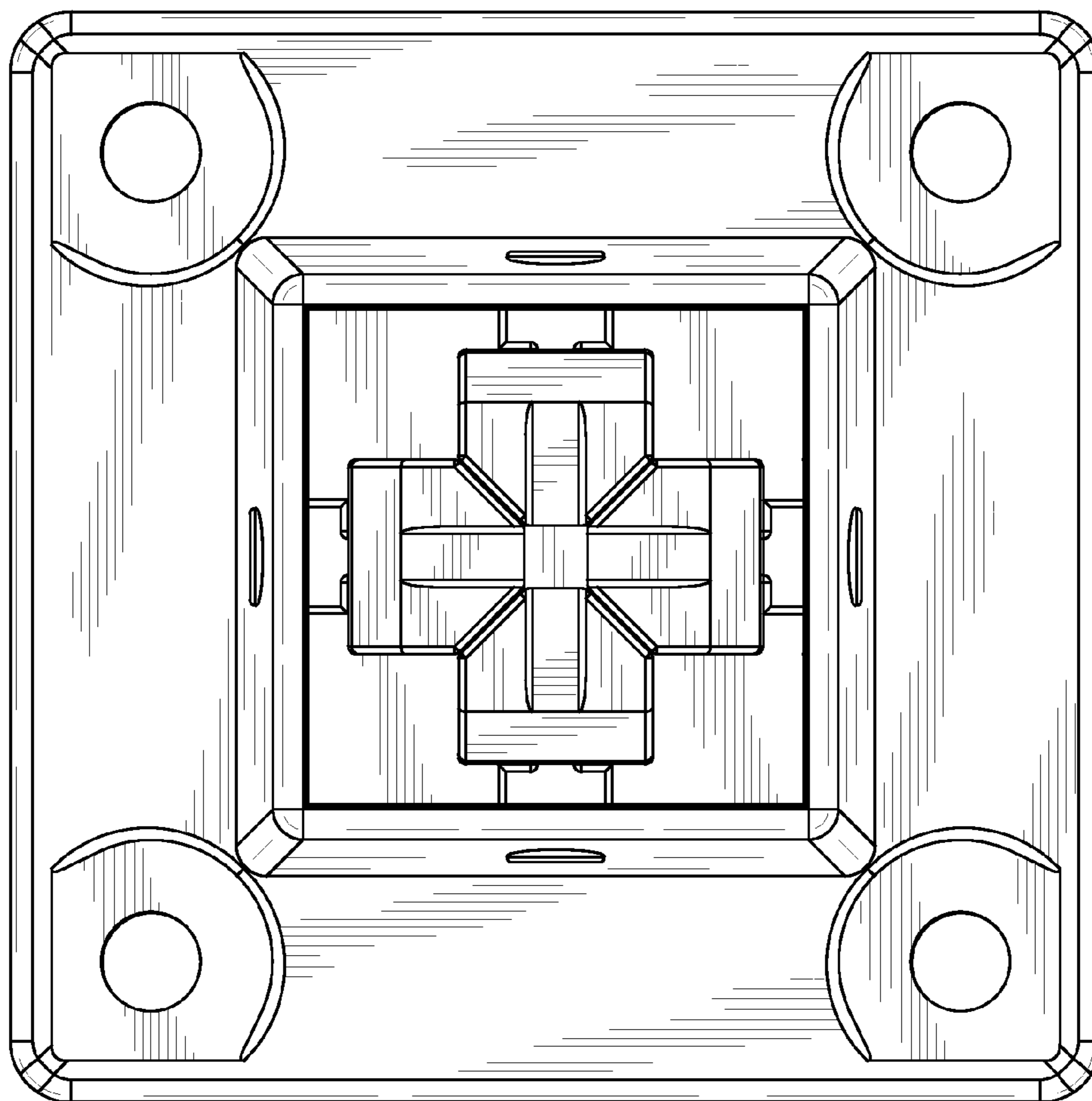


FIG. 4

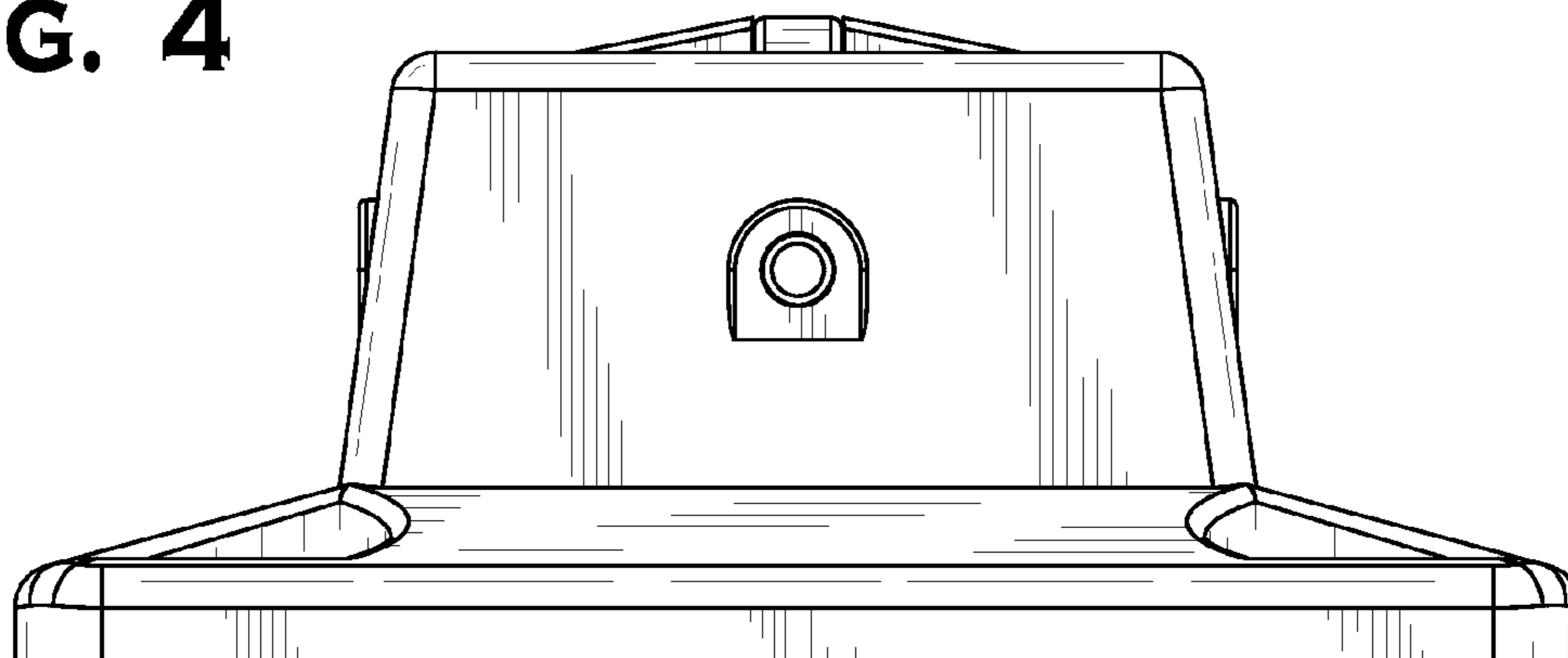


FIG. 5

