



US00D599913S

(12) **United States Design Patent**
Siches

(10) **Patent No.:** **US D599,913 S**

(45) **Date of Patent:** **** Sep. 8, 2009**

(54) **BOLLARD**

(75) Inventor: **Oscar Juan Jose Siches**, Balears (ES)

(73) Assignee: **Island Global Yachting Ltd.**, New York, NY (US)

(**) Term: **14 Years**

(21) Appl. No.: **29/322,142**

(22) Filed: **Jul. 30, 2008**

(51) **LOC (9) Cl.** **25-01**

(52) **U.S. Cl.** **D25/126**

(58) **Field of Classification Search** D25/126;
404/6; 256/1

See application file for complete search history.

(56) **References Cited**

U.S. PATENT DOCUMENTS

D470,598 S * 2/2003 Schneider et al. D25/38

D485,374 S * 1/2004 McCue et al. D25/126

D518,187 S * 3/2006 Skalka D25/126

* cited by examiner

Primary Examiner—Doris Clark

(74) *Attorney, Agent, or Firm*—Amster, Rothstein & Ebenstein LLP

(57) **CLAIM**

The ornamental design for a bollard, as shown and described.

DESCRIPTION

FIG. 1 is a perspective view of a bollard showing my new design;

FIG. 2 is a front view thereof;

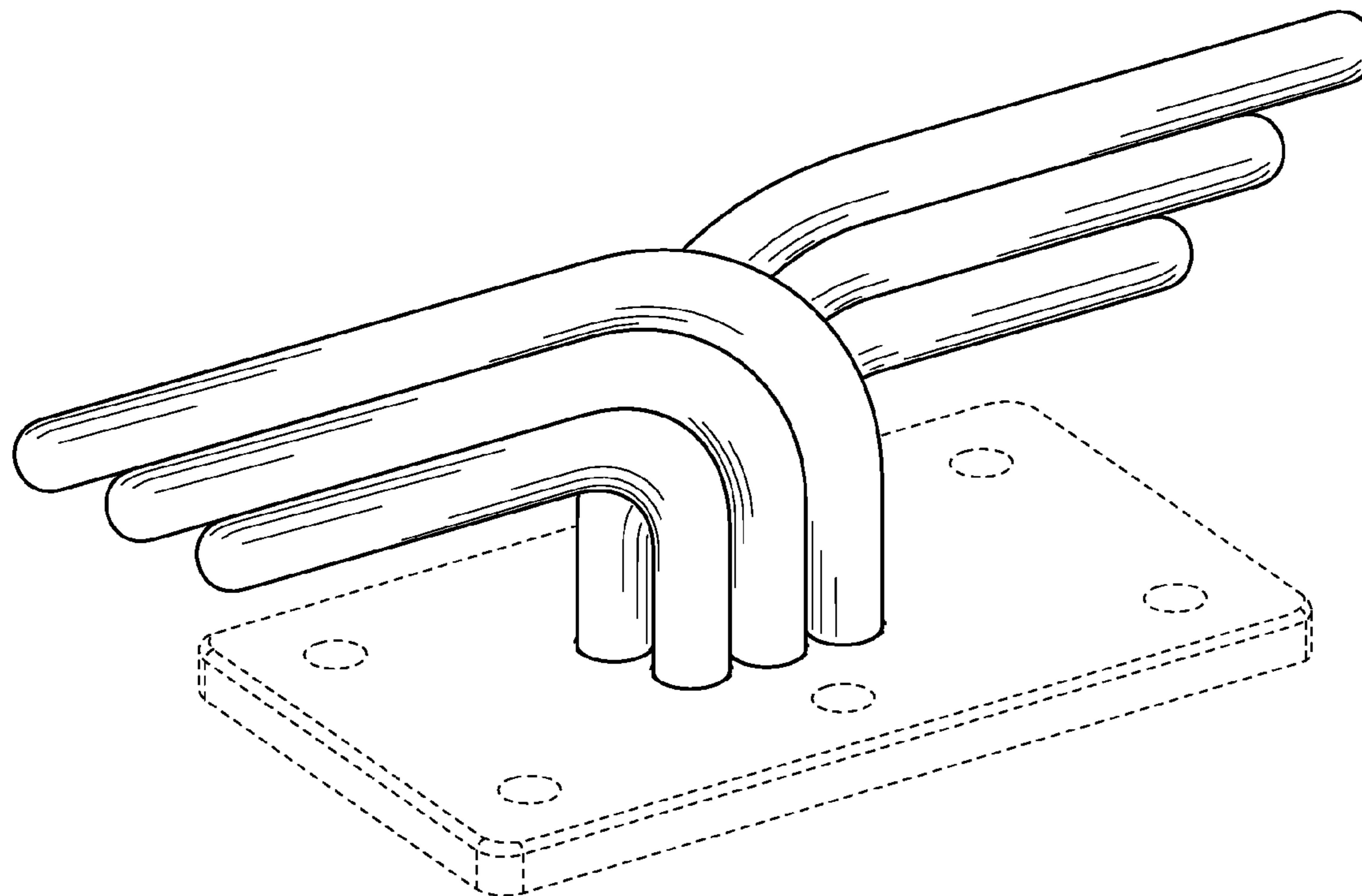
FIG. 3 is a side view thereof;

FIG. 4 is a top view thereof; and,

FIG. 5 is a bottom view thereof.

The broken lines are for illustrative purposes only and form no part of the claimed design.

1 Claim, 2 Drawing Sheets



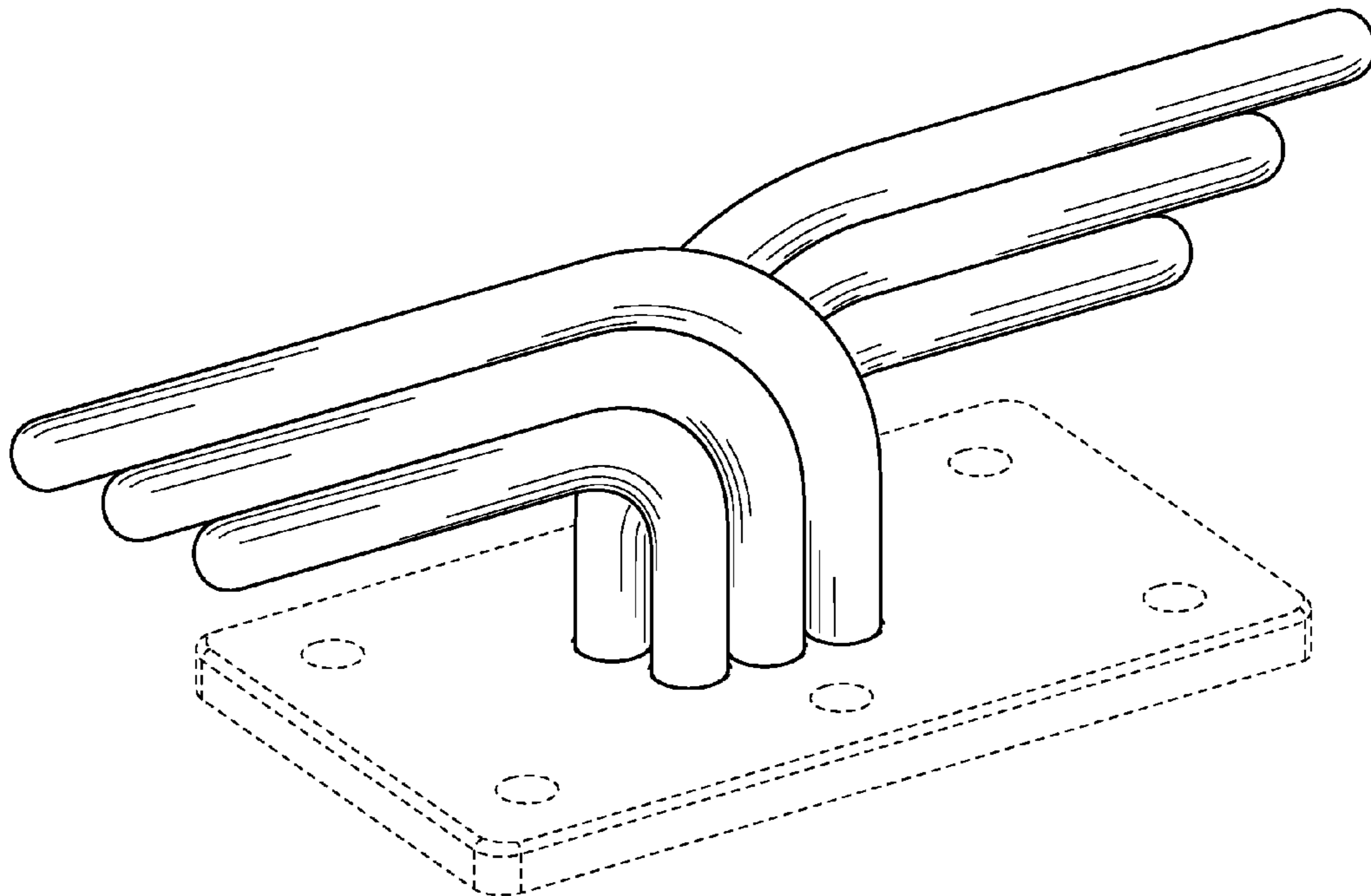


FIG. 1

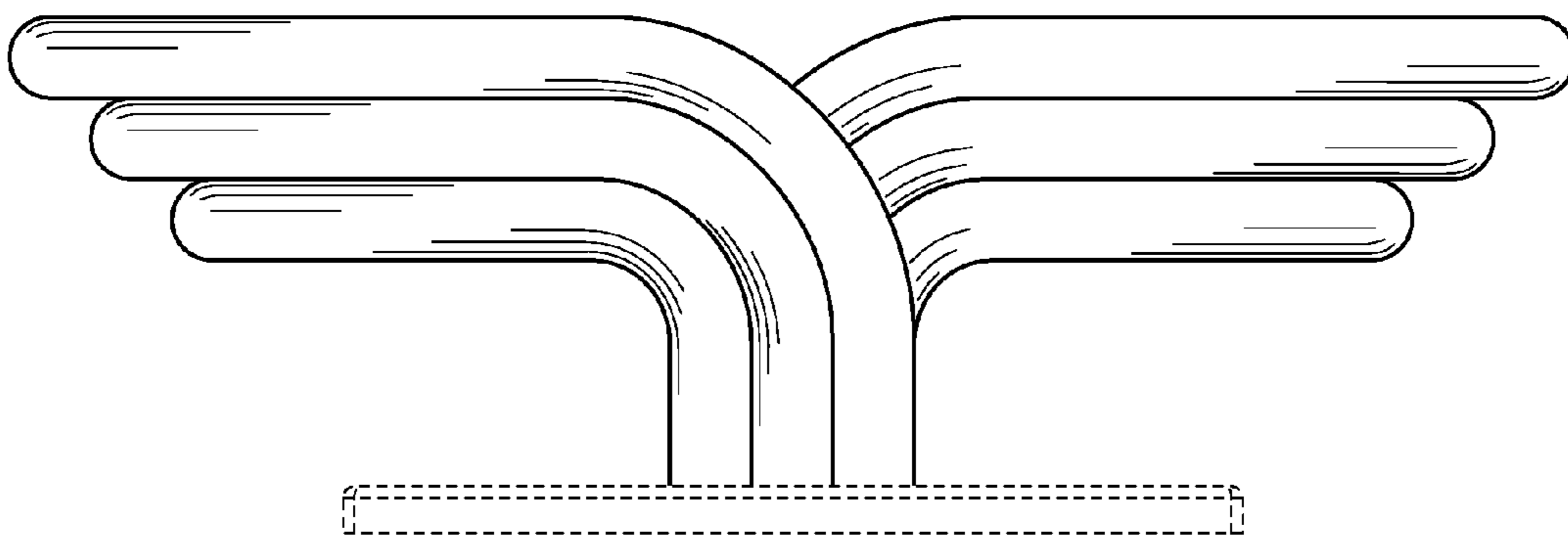


FIG. 2

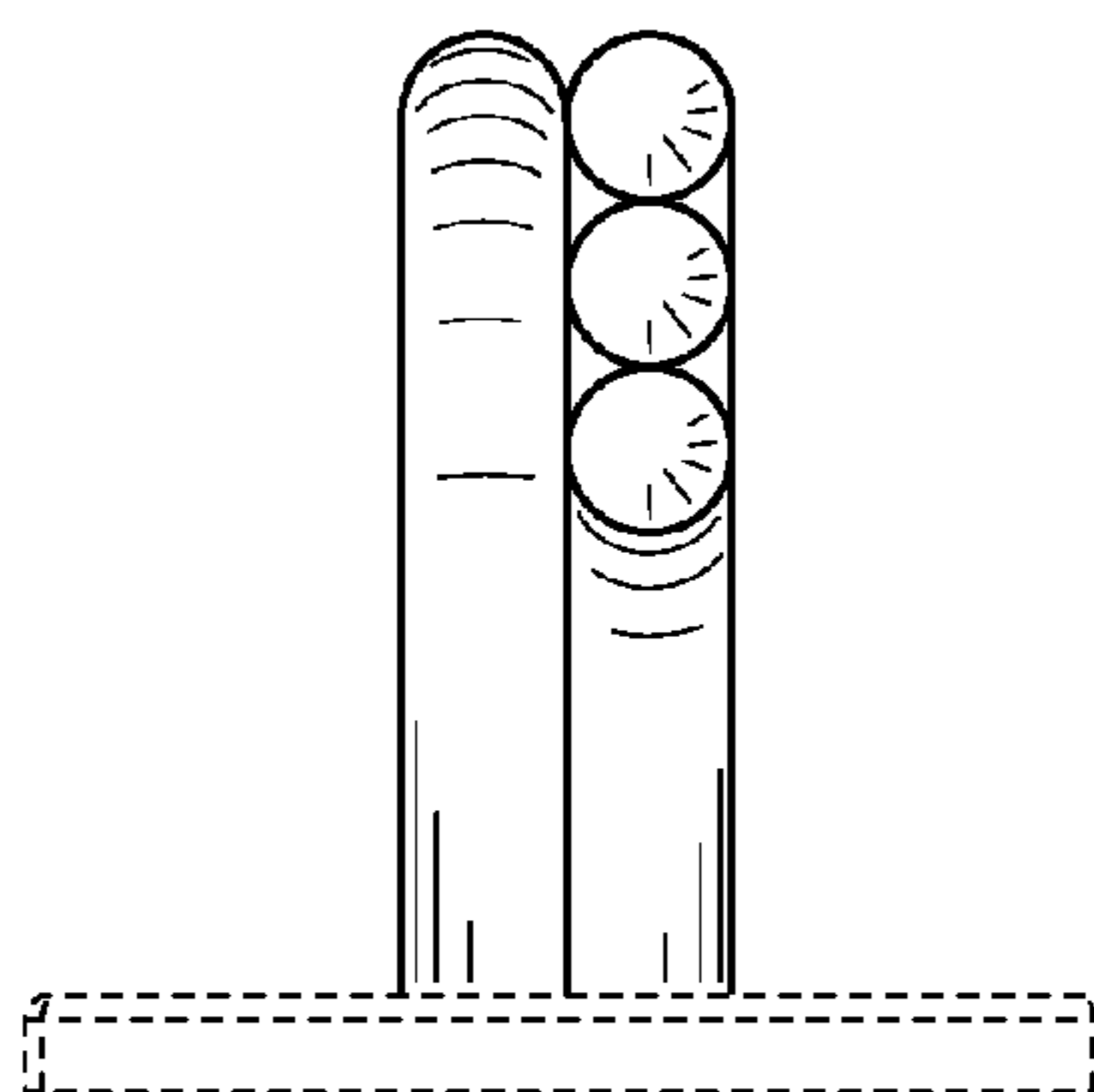


FIG. 3

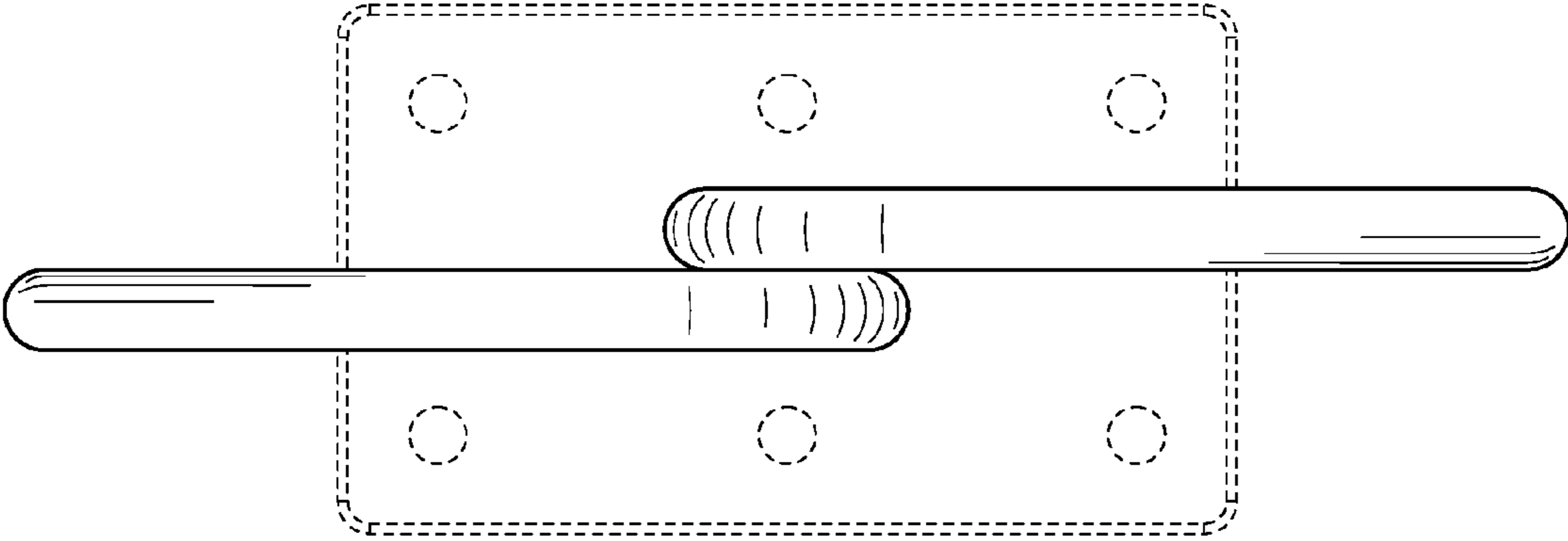


FIG. 4

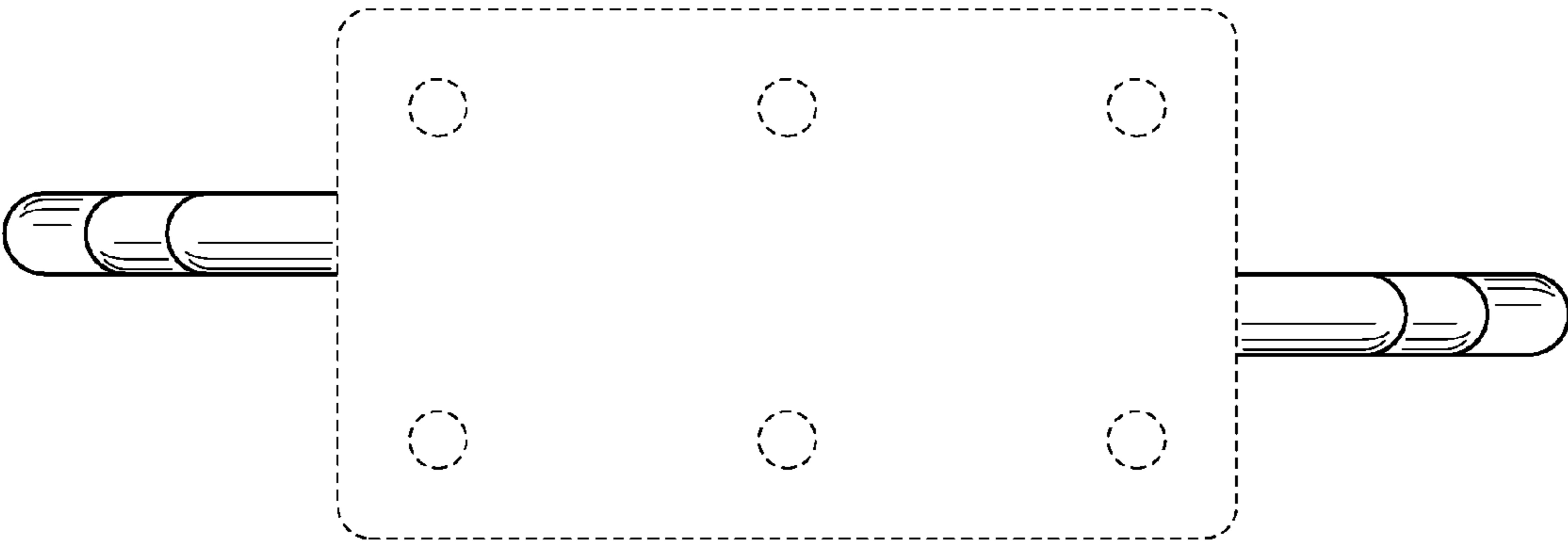


FIG. 5