

US00D599910S

(12) **United States Design Patent**  
**Potts et al.**

(10) **Patent No.:** **US D599,910 S**

(45) **Date of Patent:** **\*\* Sep. 8, 2009**

(54) **NEUROSTIMULATOR**

(75) Inventors: **Dennis Potts**, Scotts Valley, CA (US);  
**Dunagan Pearson**, Mountain View, CA  
(US); **Joseph Vandenburg**, Mountain  
View, CA (US); **C. Lance Boling**, San  
Jose, CA (US); **Paul Paspas**, Los Gatos,  
CA (US)

(73) Assignee: **NeuroPace, Inc.**, Mountain View, CA  
(US)

(\*\*) Term: **14 Years**

(21) Appl. No.: **29/313,005**

(22) Filed: **Nov. 26, 2008**

(51) **LOC (9) Cl.** ..... **24-01**

(52) **U.S. Cl.** ..... **D24/187; D24/155**

(58) **Field of Classification Search** ..... D24/155,  
D24/156, 167, 187, 200, 231; 606/70-71,  
606/166, 246-249, 258, 267, 280, 286, 283,  
606/299, 396, 903, 905-906; 607/2; 623/17.11,  
623/16.71

See application file for complete search history.

(56) **References Cited**

**U.S. PATENT DOCUMENTS**

D337,820	S	*	7/1993	Hooper et al.	.....	D24/167
D338,731	S	*	8/1993	Byland et al.	.....	D24/167
D473,307	S	*	4/2003	Cooke	.....	D24/155
D478,990	S	*	8/2003	Kroll	.....	D24/167
D504,514	S	*	4/2005	Spalding, Jr.	.....	D24/156
D523,144	S	*	6/2006	Wenger et al.	.....	D24/155
D559,987	S	*	1/2008	Strother et al.	.....	D24/187
D585,551	S	*	1/2009	Blouin et al.	.....	D24/155
D585,553	S	*	1/2009	Valois	.....	D24/155
D586,918	S	*	2/2009	Simons	.....	D24/155
2008/0208267	A1	*	8/2008	Alexander et al.	.....	607/2

**OTHER PUBLICATIONS**

Carlson, K. (Aug. 25, 2008). "Better Control of Epilepsy is Under the Scalp," located at <<http://www.modbee.com/local/v-print/story405487.html>>, last visited on Aug. 25, 2008, four pages.

Furey, C. (Mar. 2008). "Alternative Treatment for Patients with Epilepsy Offered in Clinical Trial at Shands at UF," *Physicians Practice*, two pages.

Neuropace. (2008). "Company Overview: Responsive Neurostimulation for the Treatment of Epilepsy," located at <<http://www.neuropace.com/about/overview.html>>, last visited on Nov. 19, 2008, two pages.

Neuropace. (2008). "Product Overview: Responsive Neurostimulation for the Treatment of Epilepsy," located at <<http://www.neuropace.com/product/overview.html>> last visited on Nov. 19, 2008, two pages.

Stacey, W.C. et al. (2008, e-published Feb. 28, 2008). "Technology Insight: Neuroengineering and Epilepsy—Designing Devices for Seizure Control," *Nature Clinical Practice Neurology* pp. 1-12.

\* cited by examiner

*Primary Examiner*—T. Chase Nelson

*Assistant Examiner*—Mark Cavanna

(57) **CLAIM**

The ornamental design for a neurostimulator, as shown and described.

**DESCRIPTION**

FIG. 1 is a perspective view of a neurostimulator showing our new design;

FIG. 2 is a top plan view thereof;

FIG. 3 is a bottom plan view thereof;

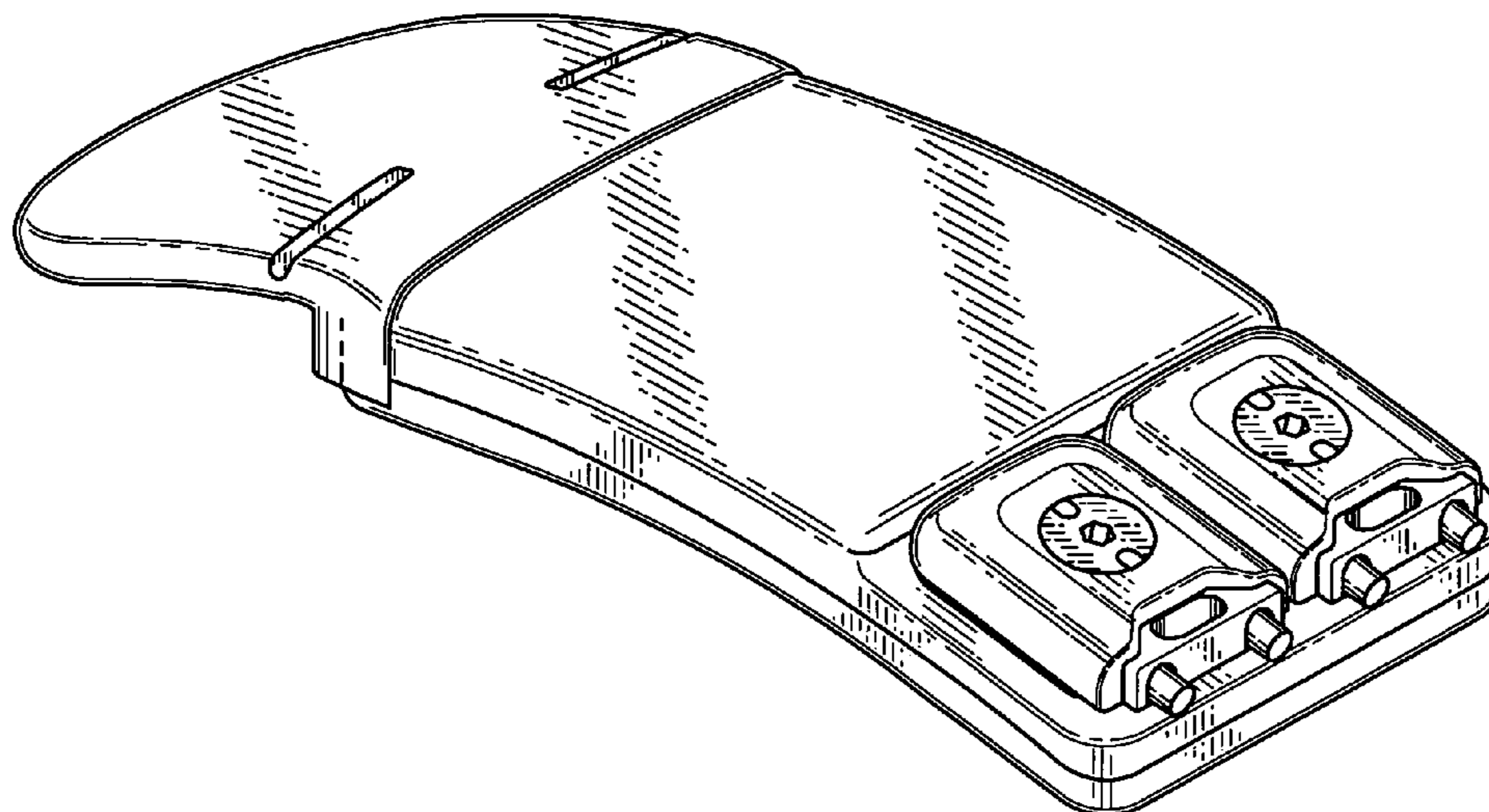
FIG. 4 is a right side elevational view thereof;

FIG. 5 is a left side elevational view thereof;

FIG. 6 is a rear elevational thereof; and,

FIG. 7 is a front elevational view thereof.

**1 Claim, 4 Drawing Sheets**



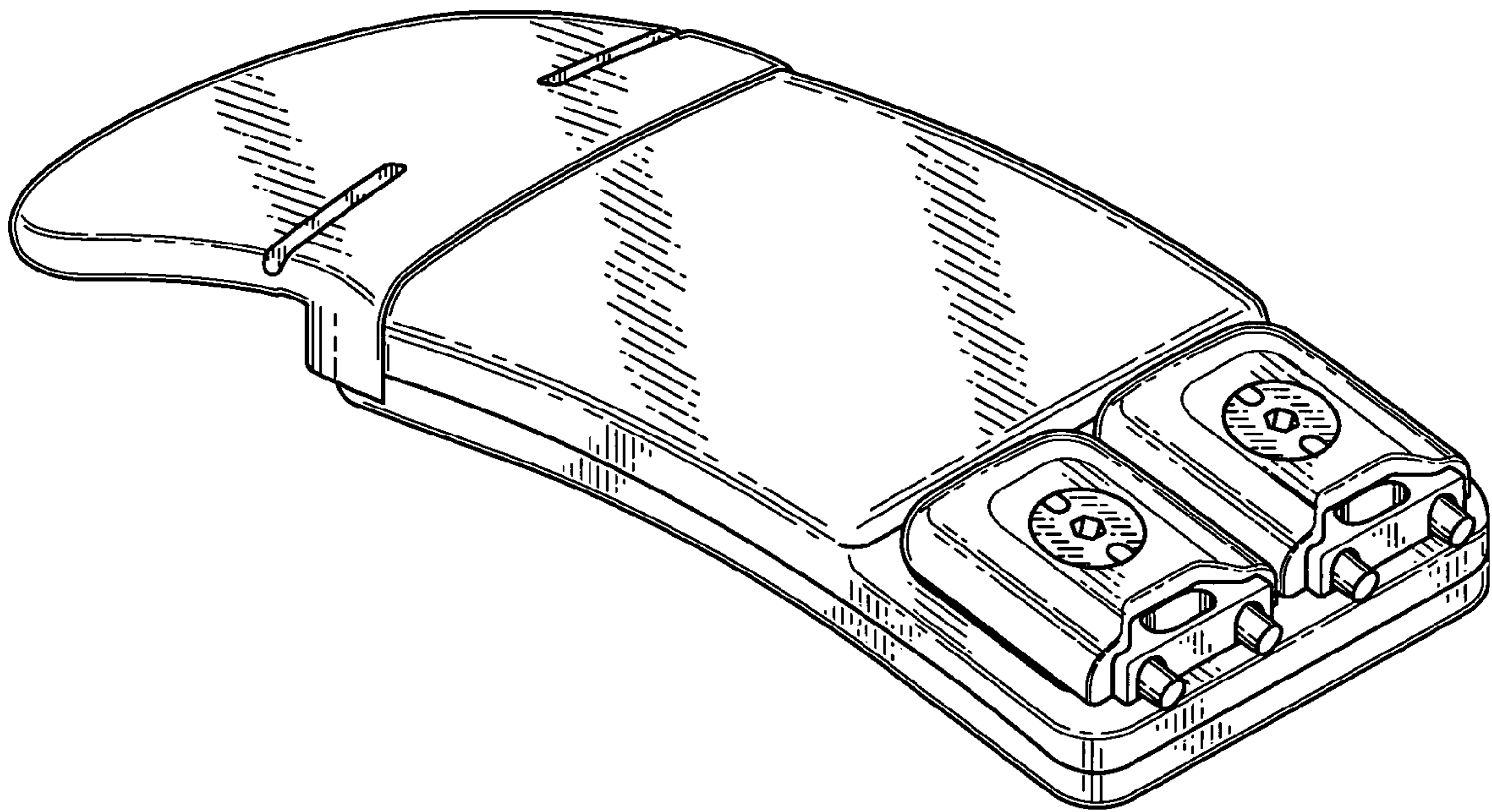


FIG. 1

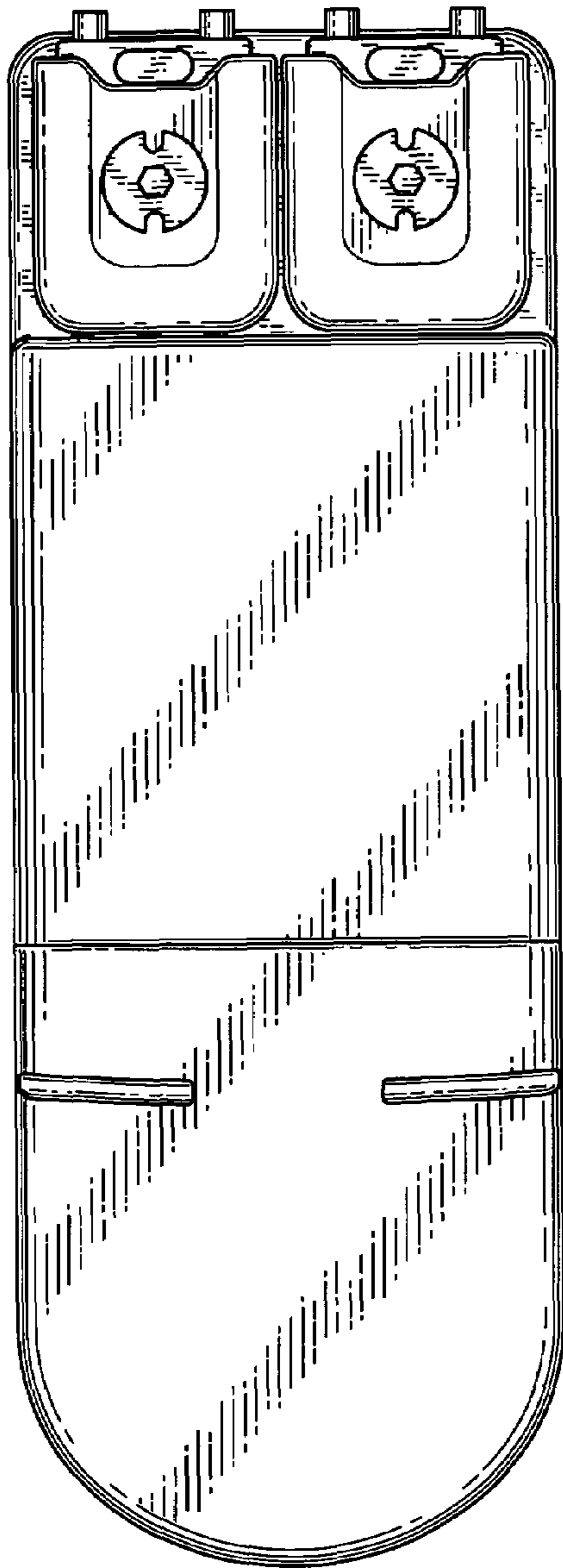


FIG. 2

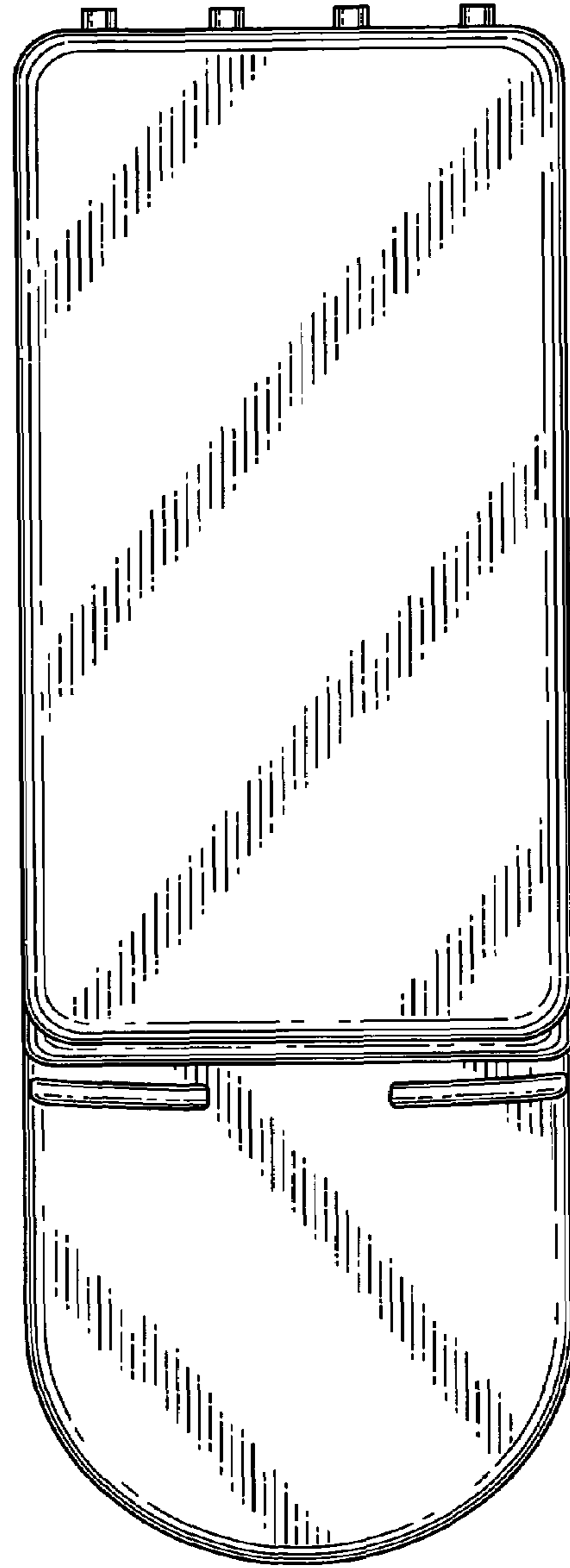


FIG. 3

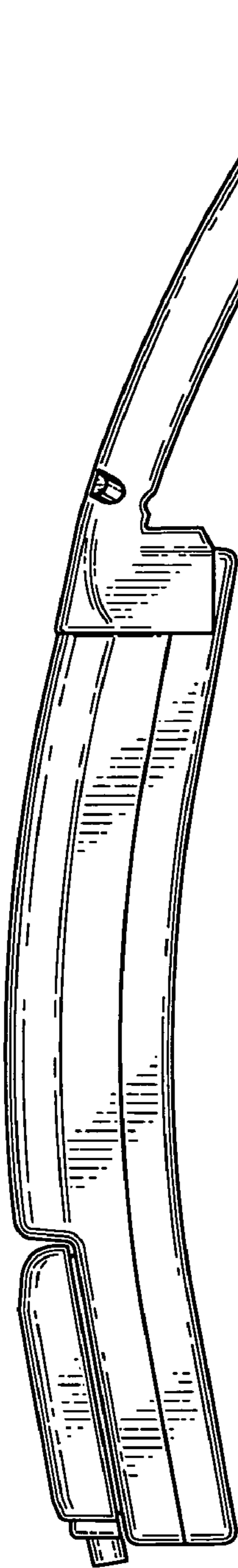


FIG. 4

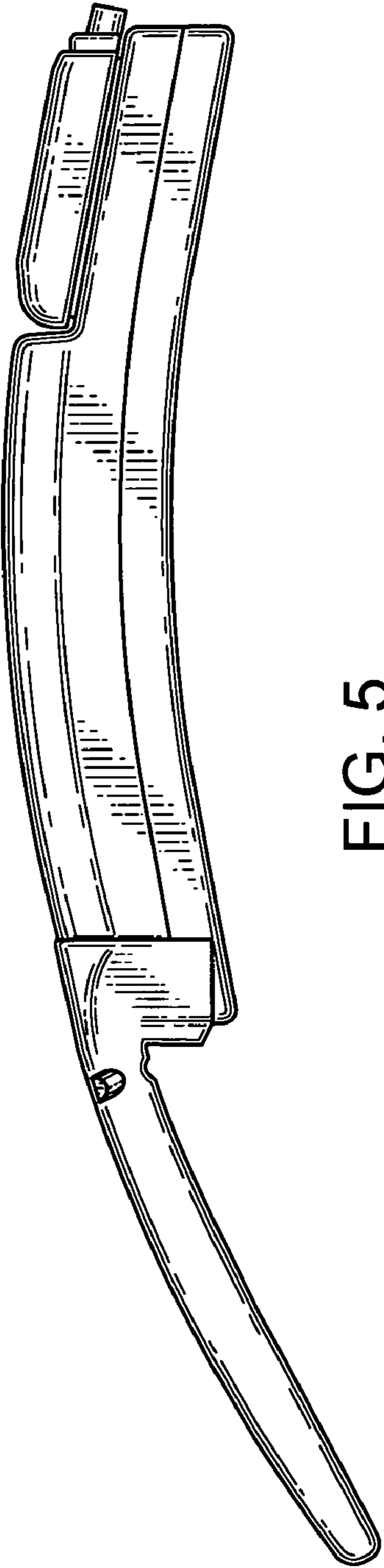


FIG. 5

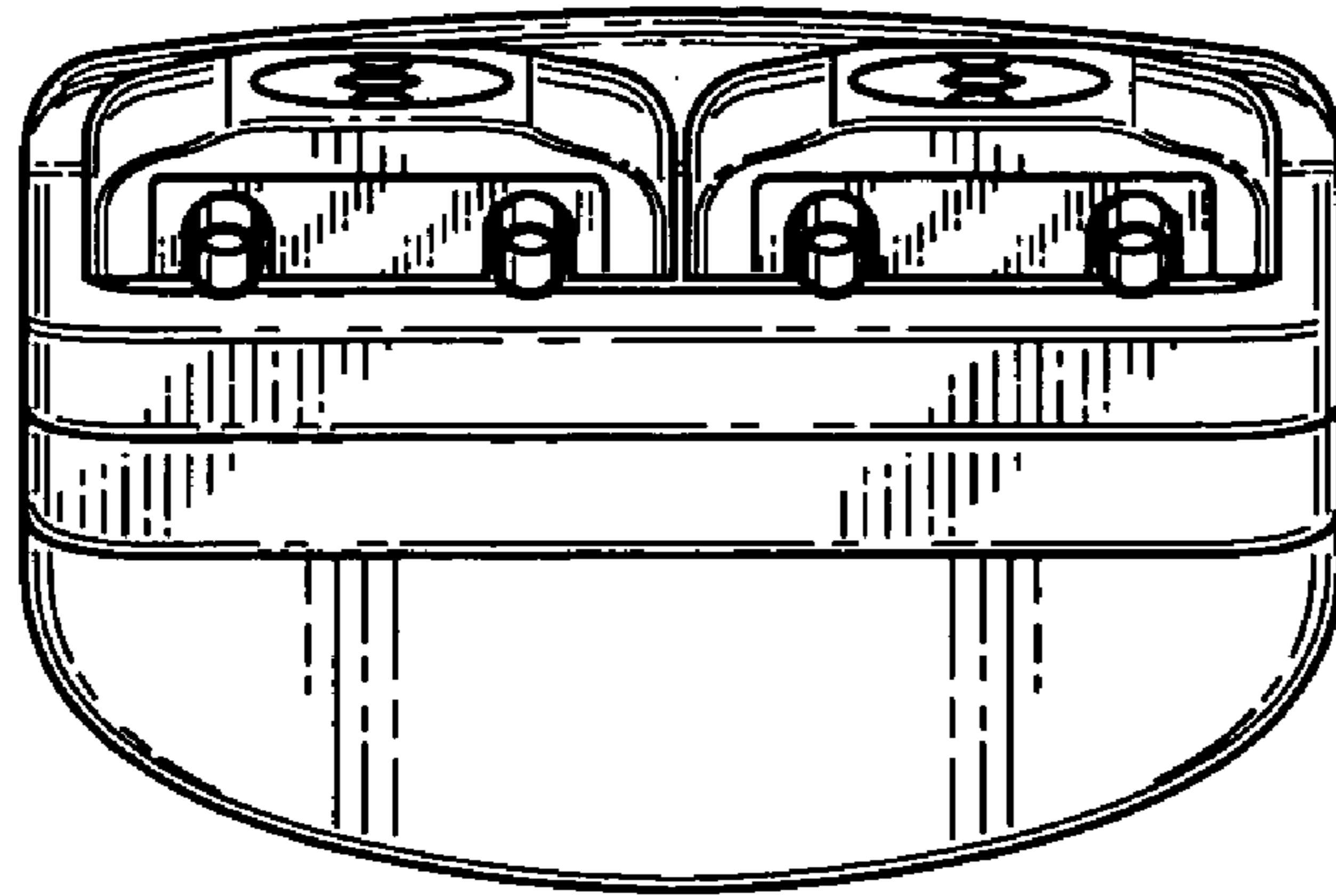


FIG. 6

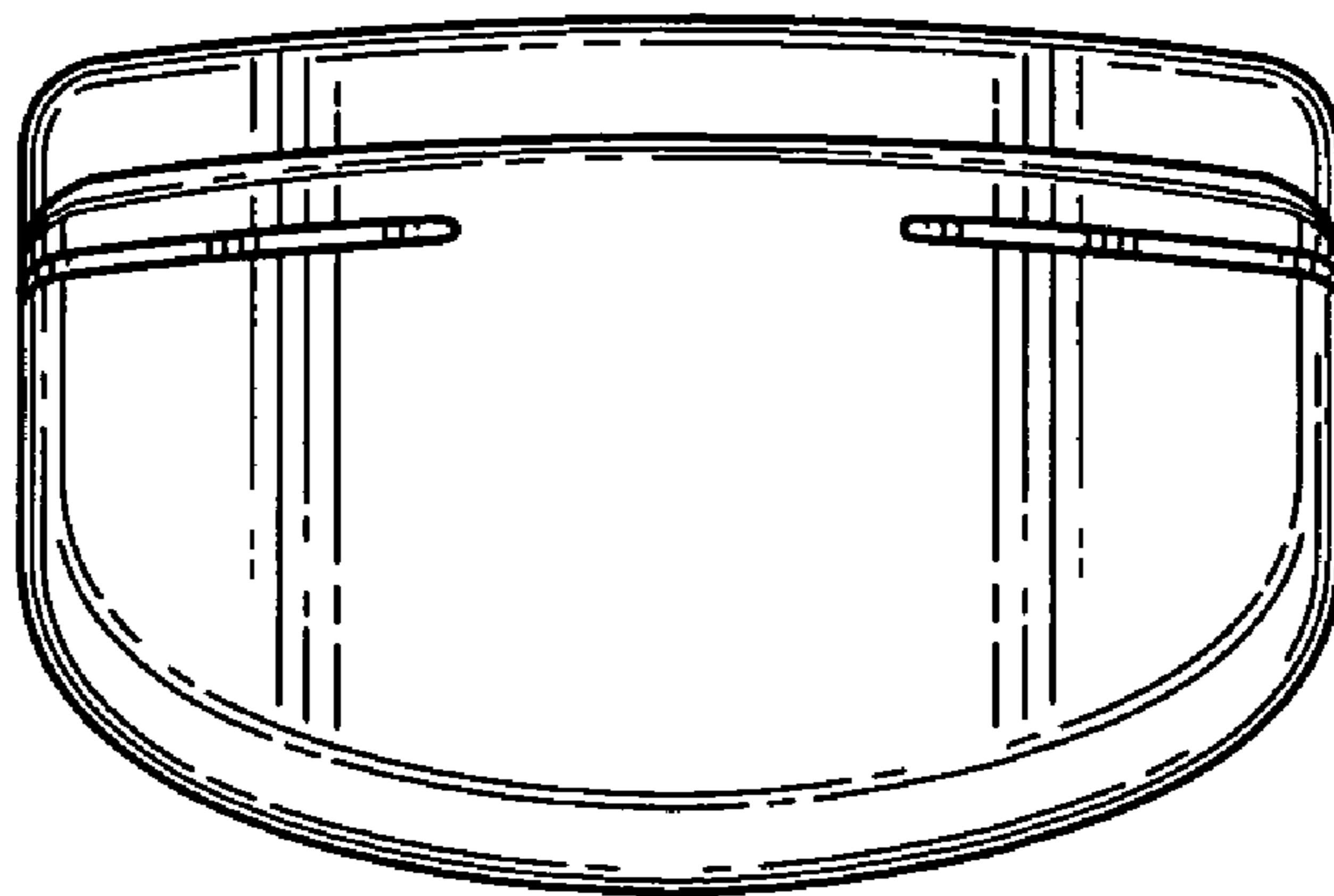


FIG. 7