



US00D599901S

(12) **United States Design Patent**
Yang

(10) **Patent No.:** **US D599,901 S**
(45) **Date of Patent:** **** Sep. 8, 2009**

(54) **CEILING FAN BLADE IRON**
(75) Inventor: **Helen Yang**, Rowland Heights, CA (US)
(73) Assignee: **Air Cool Industrial Co., Ltd.**, Taichung (TW)
(**) Term: **14 Years**
(21) Appl. No.: **29/331,252**
(22) Filed: **Jan. 22, 2009**

D408,074 S 4/1999 Tai
D408,516 S 4/1999 Tai
D409,297 S 5/1999 Tai
5,944,487 A 8/1999 Pearce
D414,860 S 10/1999 Thomas
D415,303 S 10/1999 Lin
D417,494 S 12/1999 Evans
D417,499 S 12/1999 Zuege
6,059,531 A 5/2000 Tai
6,135,618 A 10/2000 Tai

(Continued)

(51) **LOC (9) Cl.** **23-04**
(52) **U.S. Cl.** **D23/411**
(58) **Field of Classification Search** D23/377,
D23/379, 385, 411, 413; 416/5
See application file for complete search history.

Primary Examiner—Lisa P Lichtenstein
(74) *Attorney, Agent, or Firm*—Morrison & Foerster LLP

(57) **CLAIM**

The ornamental design for a ceiling fan blade iron, as shown and described.

(56) **References Cited**

U.S. PATENT DOCUMENTS

D102,906 S 1/1937 Lescaze
D287,518 S 12/1986 Ohno
D294,604 S 3/1988 Shibukawa
D346,210 S 4/1994 Holbrook
D359,553 S 6/1995 Hsi
5,458,464 A 10/1995 Lee
D367,321 S 2/1996 Holbrook
D369,405 S 4/1996 Holbrook
5,508,484 A 4/1996 Chen
D376,004 S 11/1996 Tsuji
D376,421 S 12/1996 Jaspers-Fayer
D383,529 S 9/1997 Tsuji
D388,870 S 1/1998 Holbrook
D396,530 S 7/1998 Tai
D401,322 S 11/1998 Liu
D404,808 S 1/1999 Tai
D404,809 S 1/1999 Tai
D405,878 S 2/1999 Tai
D408,073 S 4/1999 Tai

DESCRIPTION

FIG. 1 is a perspective view of a ceiling fan providing an environment of a blade iron;

FIG. 2 is an enlarged perspective view of a blade iron in accordance with the present invention;

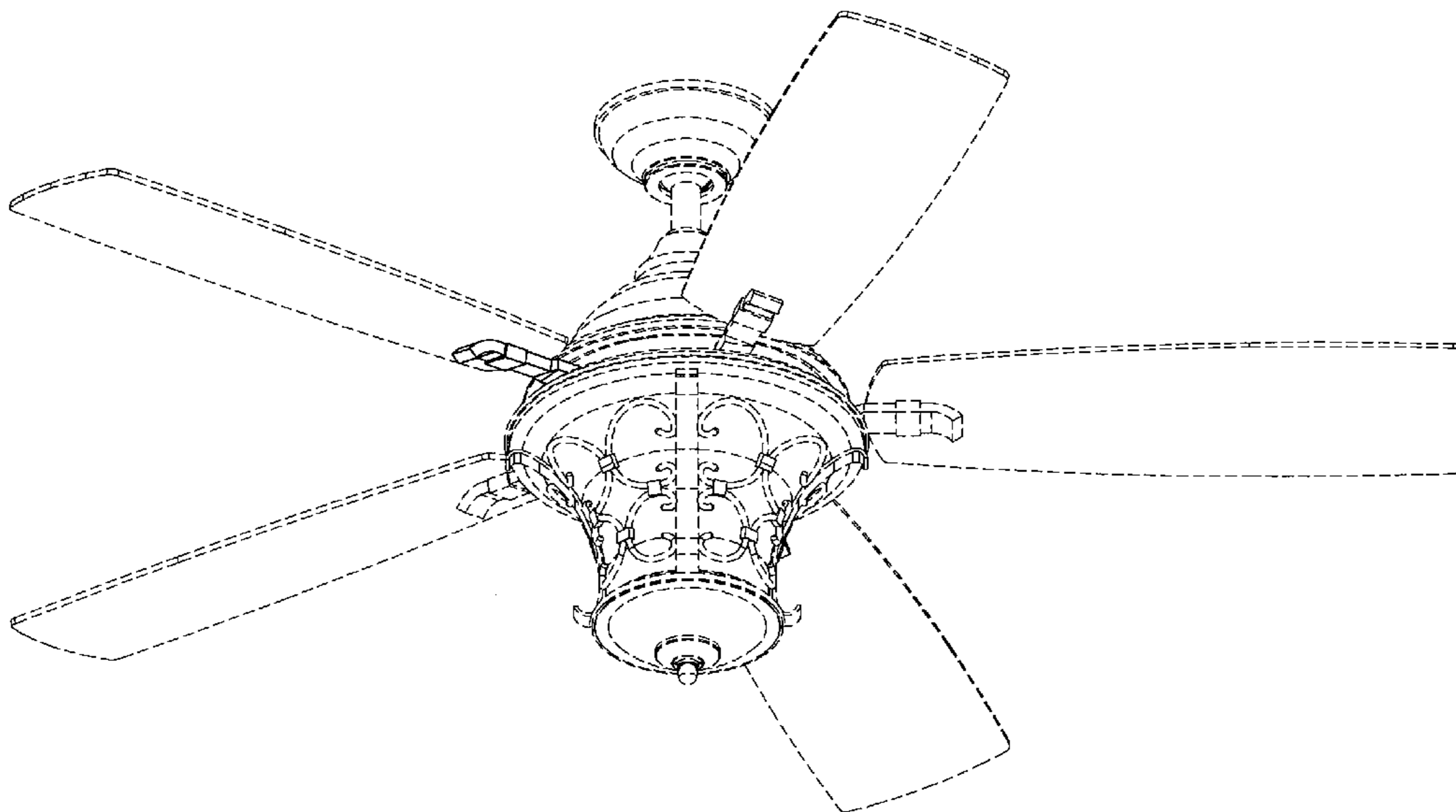
FIG. 3 is an enlarged bottom view of the blade iron in accordance with the present invention;

FIG. 4 is an enlarged top view of the blade iron in accordance with the present invention; and,

FIG. 5 is an enlarged side view of the iron blade in accordance with the present invention.

The broken line showing of portions of the fan blade iron and of a ceiling fan is included for the purpose of illustrating environmental structure and forms no part of the claimed design.

1 Claim, 5 Drawing Sheets



US D599,901 S

Page 2

U.S. PATENT DOCUMENTS

D435,643 S	12/2000	Williams	D516,704 S	3/2006	Pickett	
D441,442 S	5/2001	Williams	D517,201 S	3/2006	Gajewski	
6,259,025 B1	7/2001	Tai	D518,567 S	4/2006	Hidalgo	
D451,993 S	12/2001	Hsieh	D518,887 S	4/2006	Tai	
6,379,116 B1	4/2002	Tai	D520,630 S	5/2006	Pickett	
D457,619 S	5/2002	Hsieh	D525,355 S	7/2006	Hidalgo	
D457,947 S	5/2002	Tai	D525,700 S	7/2006	Ertze	
6,392,146 B1	5/2002	Tai	D525,701 S	7/2006	Glasbrenner	
D458,675 S	6/2002	Tai	D526,714 S	8/2006	Hidalgo	
D460,208 S	7/2002	Dolan	D527,090 S	8/2006	Pan	
D476,410 S	6/2003	Young	D527,454 S	8/2006	Hidalgo	
D478,381 S	8/2003	Tai	D530,811 S	10/2006	Ertze	
D479,872 S	9/2003	Young	D531,298 S	10/2006	Hidalgo	
D480,797 S	10/2003	Young	D531,305 S	10/2006	Glasbrenner	
D480,800 S	10/2003	Stauffer	D531,307 S	10/2006	Shurtleff	
D481,455 S	10/2003	Young	D531,722 S	11/2006	Ertze	
D483,463 S	12/2003	Tai	D532,901 S	11/2006	Ertze	
D483,464 S	12/2003	Tai	D533,267 S	12/2006	Pan	
D483,465 S	12/2003	Tai	D535,385 S	1/2007	Pickett	
D483,847 S	12/2003	Tai	D536,437 S *	2/2007	Pickett D23/411
D483,848 S	12/2003	Tai	D536,466 S	2/2007	Pan	
D483,849 S	12/2003	Tai	D539,896 S	4/2007	Pan	
D483,850 S	12/2003	Tai	D540,460 S	4/2007	Pickett	
D484,269 S	12/2003	Hsu	D541,409 S	4/2007	Ertze	
D484,588 S	12/2003	Tai	D541,410 S	4/2007	Ertze	
D484,969 S	1/2004	Tai	D543,268 S	5/2007	Ertze	
D485,344 S	1/2004	Tai	D543,302 S	5/2007	Ertze	
D485,609 S	1/2004	Tai	D545,422 S	6/2007	Glasbrenner	
D485,611 S	1/2004	Tai	D546,439 S	7/2007	Glasbrenner	
D485,897 S	1/2004	Tai	D546,936 S	7/2007	Ertze	
D486,215 S	2/2004	Hsieh	D547,433 S	7/2007	Wang	
D487,506 S	3/2004	Burns	D547,435 S	7/2007	Lee	
D489,445 S	5/2004	Burns	D547,857 S	7/2007	Lee	
D489,471 S	5/2004	Huang	D548,322 S *	8/2007	Ertze D23/411
D490,888 S	6/2004	Tai	D551,755 S	9/2007	Shurtleff	
D494,705 S	8/2004	Tai	D551,756 S *	9/2007	Ertze D23/411
D501,578 S	2/2005	Tai	D552,777 S	10/2007	Pan	
D503,472 S	3/2005	Tai	D554,250 S	10/2007	Shurtleff	
D503,473 S	3/2005	Tai	D554,251 S	10/2007	Shurtleff	
D503,474 S	3/2005	Tai	D558,328 S	12/2007	Badarello	
D503,475 S	3/2005	Tai	D559,971 S	1/2008	Frampton	
D503,476 S	3/2005	Tai	D561,328 S	2/2008	Hidalgo	
D503,795 S	4/2005	Tai	D564,651 S	3/2008	Pan	
D504,173 S	4/2005	Tai	D564,652 S	3/2008	Pan	
D504,362 S	4/2005	Pickett	D565,221 S	3/2008	Pan	
D504,502 S	4/2005	Young	D569,964 S	5/2008	Ertze	
D505,197 S	5/2005	Tai	D570,022 S	5/2008	Ertze	
D505,724 S	5/2005	Tai	D571,452 S	6/2008	Ertze	
D507,644 S	7/2005	Tai	D573,242 S	7/2008	Pan	
D507,830 S	7/2005	Pan	D573,243 S	7/2008	Pan	
D510,428 S	10/2005	Hidalgo	D573,245 S	7/2008	Pan	
D510,623 S	10/2005	Tai	D573,737 S	7/2008	Lee	
D510,624 S	10/2005	Graham	D578,636 S	10/2008	Pan	
D510,999 S	10/2005	Thomas	D580,044 S	11/2008	Ertze	
D515,199 S	2/2006	Hidalgo				

* cited by examiner

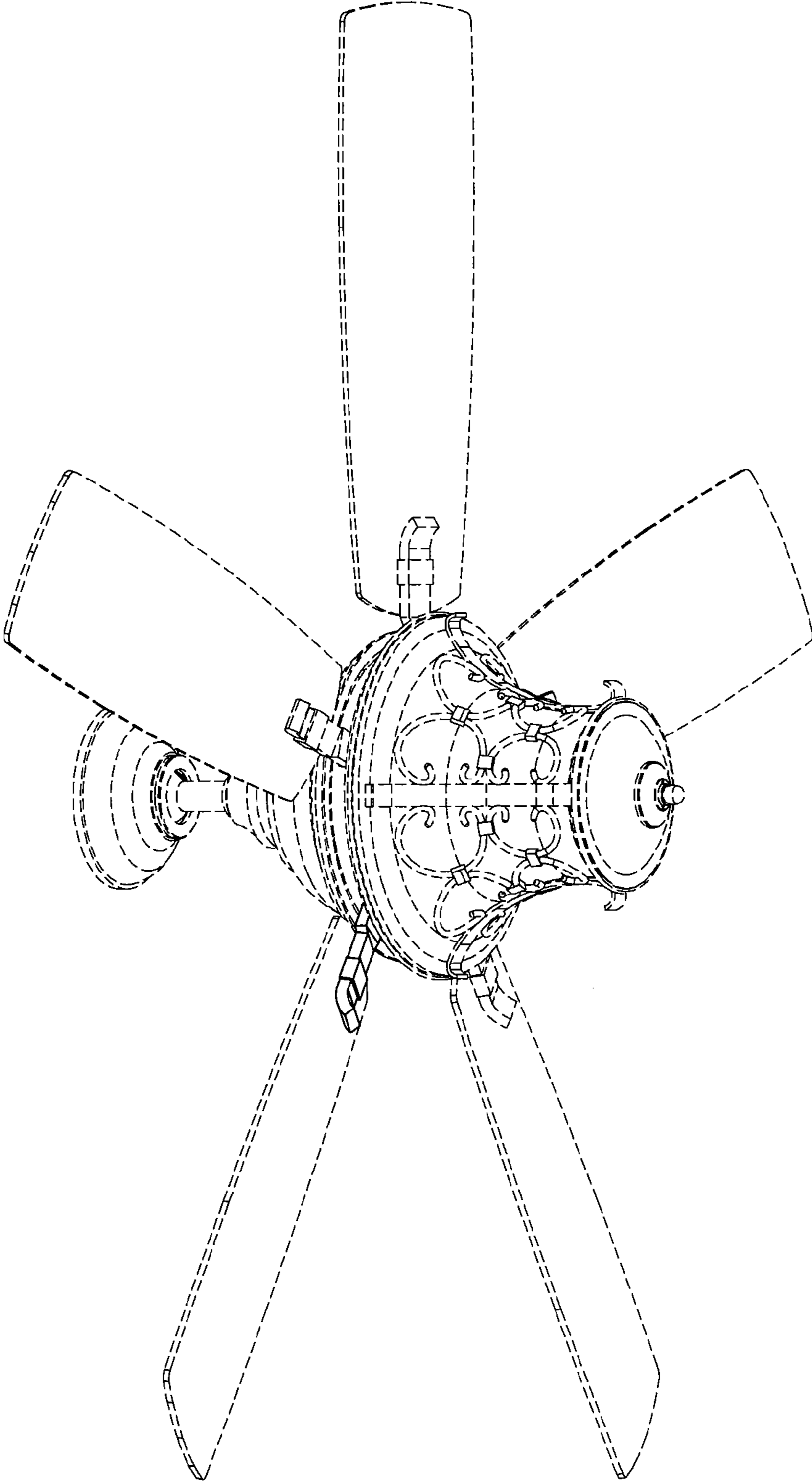


FIG. 1

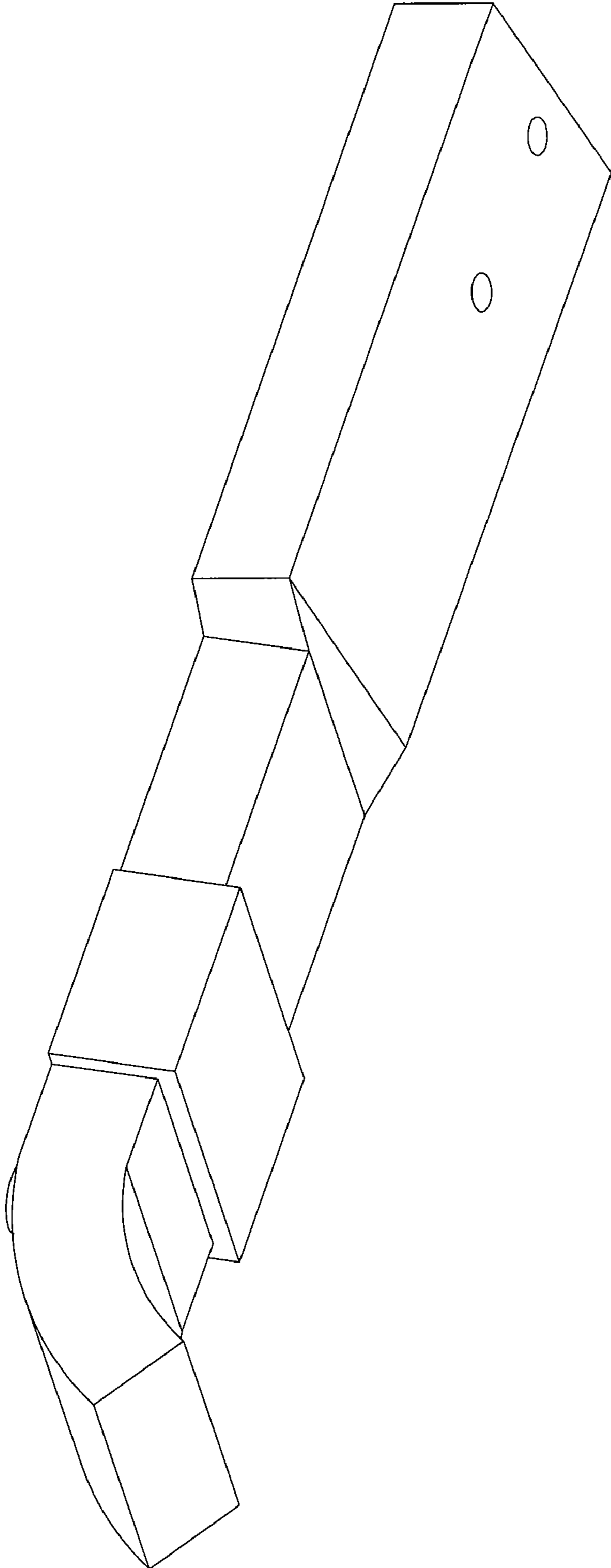


FIG. 2

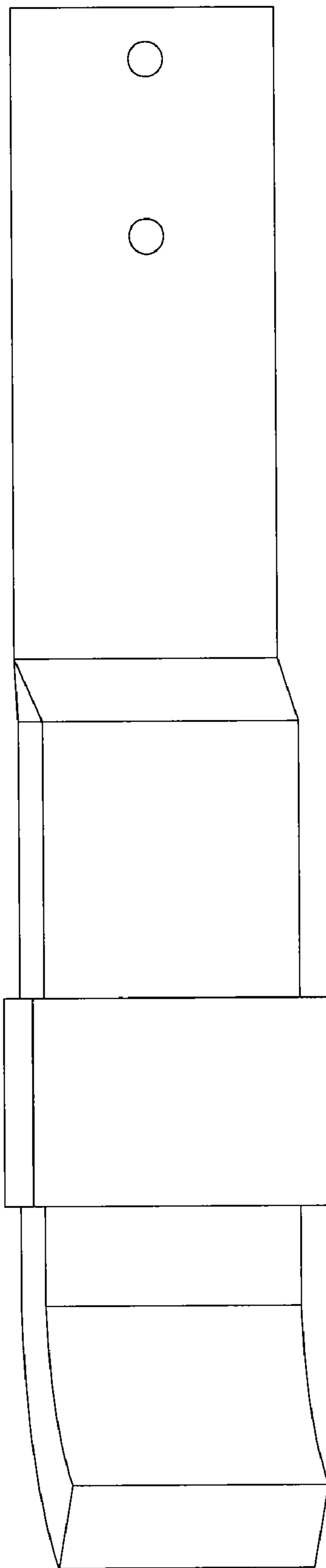


FIG. 3

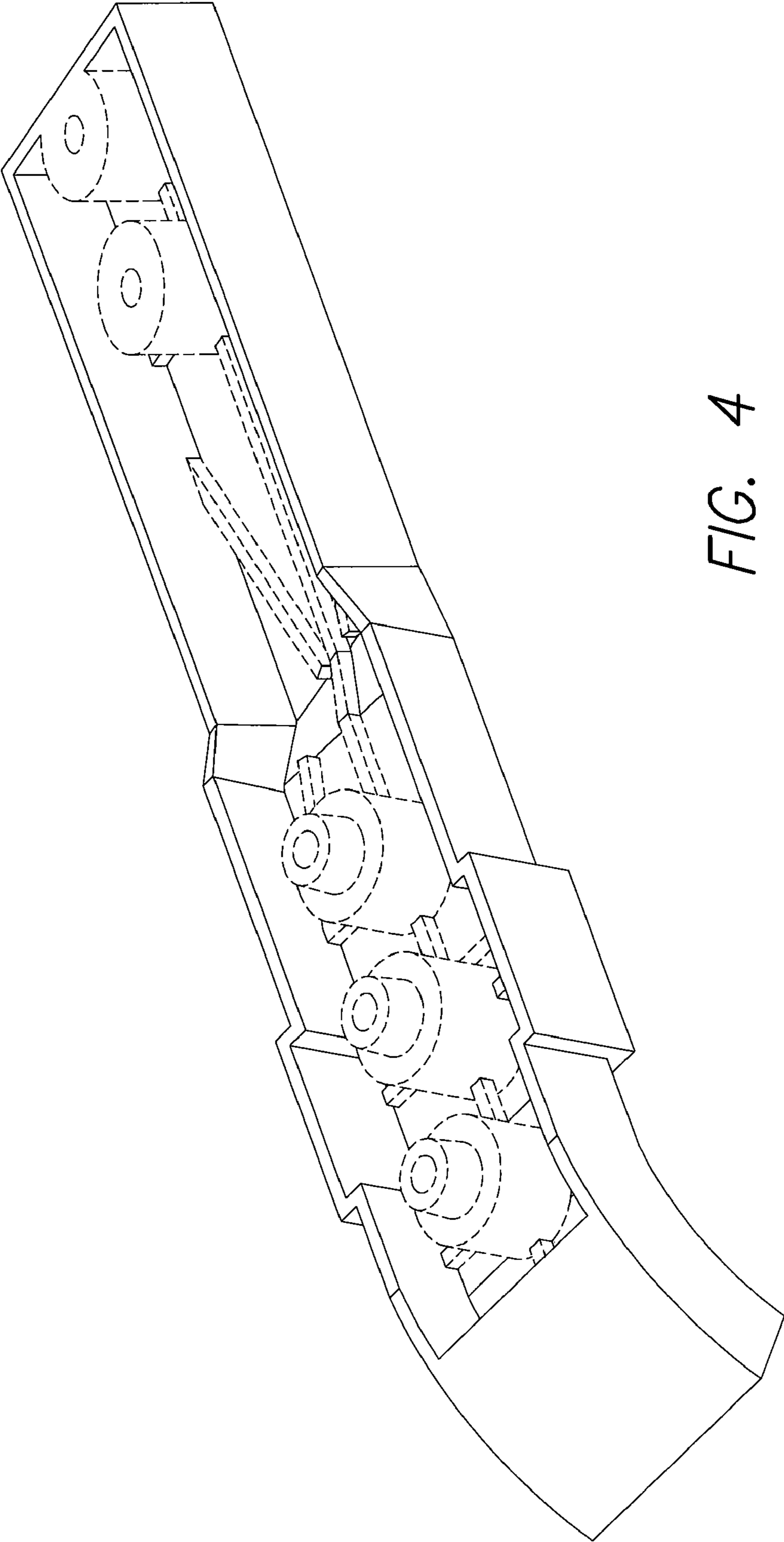


FIG. 4

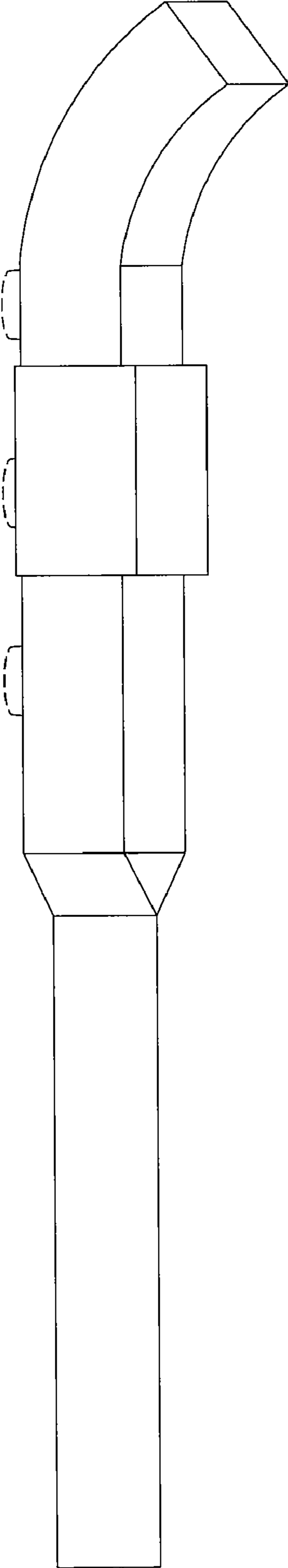


FIG. 5