



US00D599900S

(12) **United States Design Patent**  
**Chen**

(10) **Patent No.:** **US D599,900 S**  
(45) **Date of Patent:** **\*\* Sep. 8, 2009**

(54) **CEILING FAN**

D542,905 S \* 5/2007 Young ..... D23/377

(75) Inventor: **Shan-Chu Chen**, Shengang Township,  
Taichung County (TW)

\* cited by examiner

(73) Assignee: **Jiun Yeeh Industrial Co., Ltd.**,  
Taichung County (TW)

*Primary Examiner*—Lisa P Lichtenstein  
(74) *Attorney, Agent, or Firm*—Ming Chow; Sinorica, LLC

(\*\*) Term: **14 Years**

(57) **CLAIM**

(21) Appl. No.: **29/335,166**

I claim the ornamental design for a ceiling fan, as shown and described.

(22) Filed: **Apr. 9, 2009**

**DESCRIPTION**

(51) **LOC (9) Cl.** ..... **23-04**

FIG. 1 is a front perspective view of a ceiling fan showing my new design;

(52) **U.S. Cl.** ..... **D23/377**

FIG. 2 is a front elevational view thereof;

(58) **Field of Classification Search** ..... D23/377,  
D23/379, 385, 411, 413; 416/5; D26/59,  
D26/72, 81–88

FIG. 3 is a rear elevational view thereof;

FIG. 4 is a left side elevational view thereof;

See application file for complete search history.

FIG. 5 is a right side elevational view thereof;

FIG. 6 is a top plan view thereof; and,

FIG. 7 is a bottom plan view thereof.

The broken lines are for environmental purposes only and form no part of the claimed design.

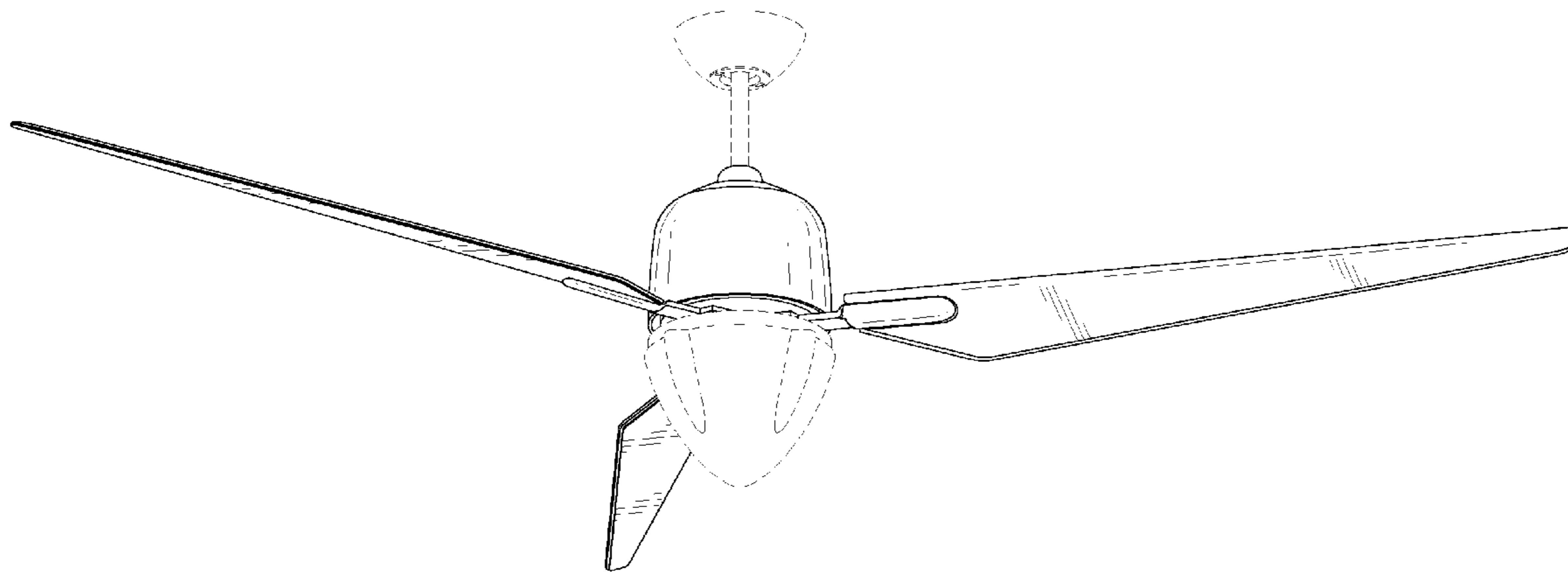
(56) **References Cited**

**U.S. PATENT DOCUMENTS**

D335,920 S \* 5/1993 Jaeger ..... D23/377

D446,296 S \* 8/2001 Gajewski ..... D23/377

**1 Claim, 6 Drawing Sheets**



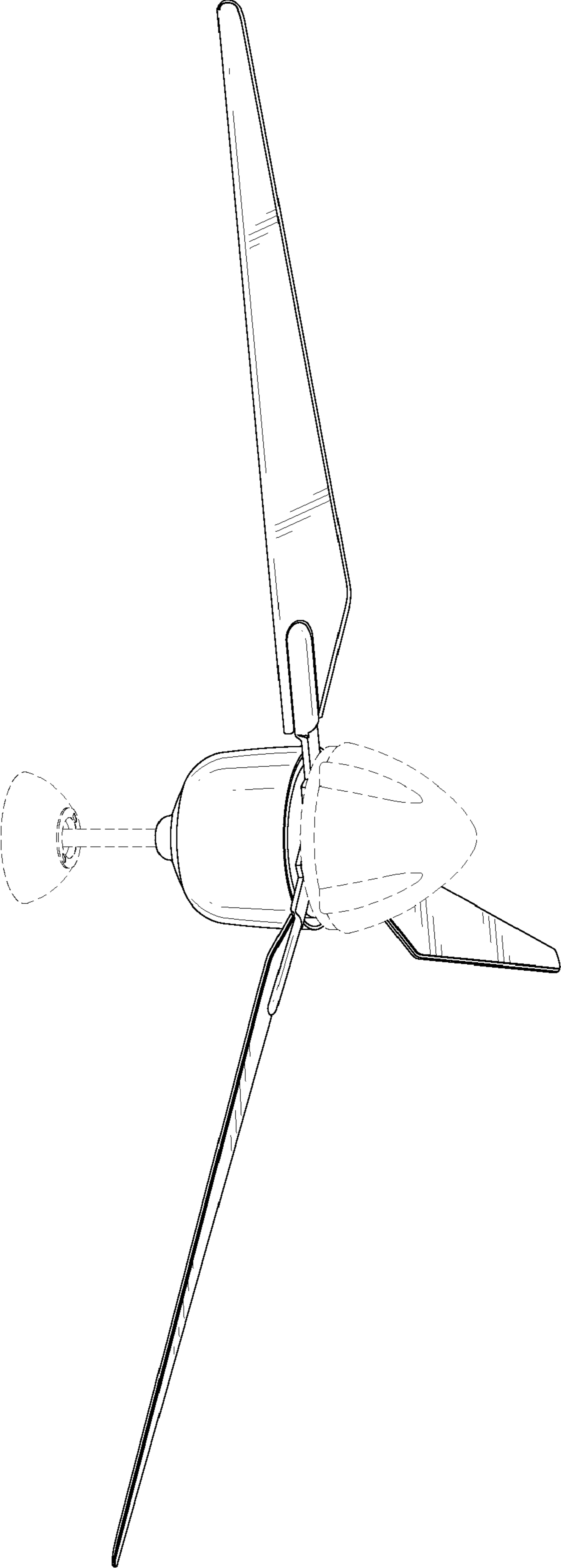


FIG. 1

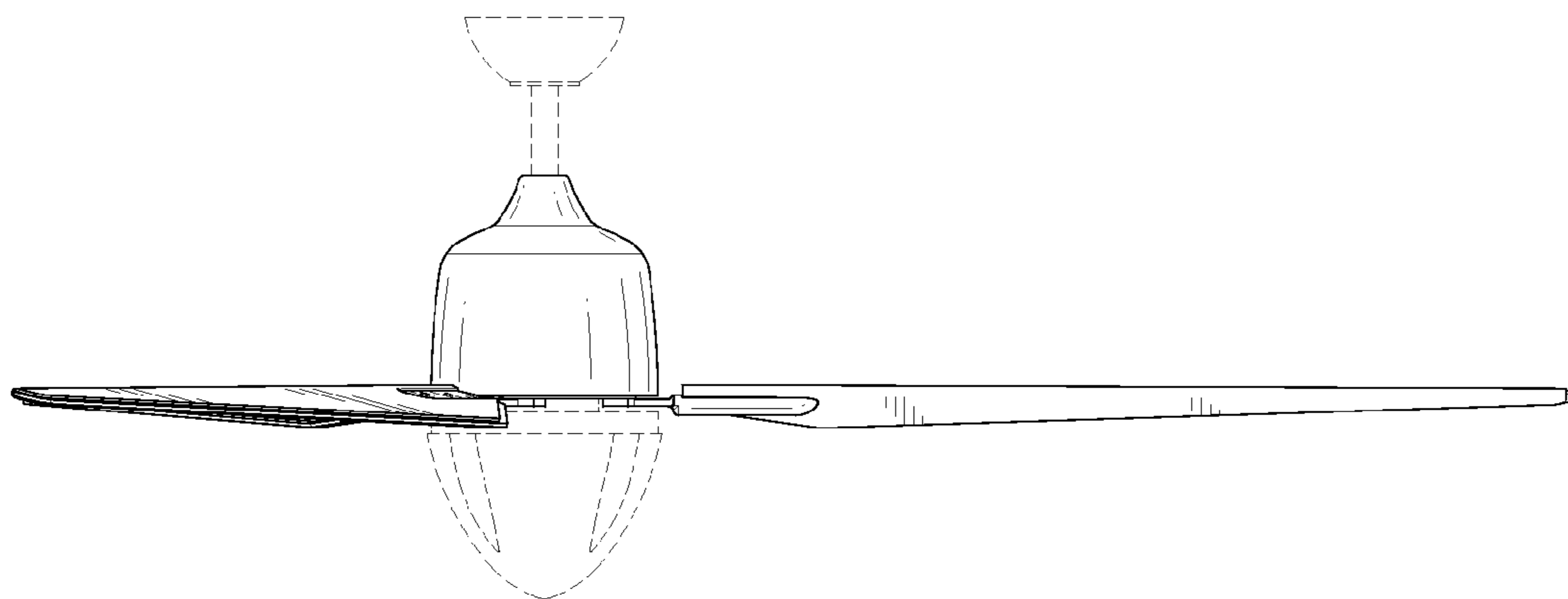


FIG. 2

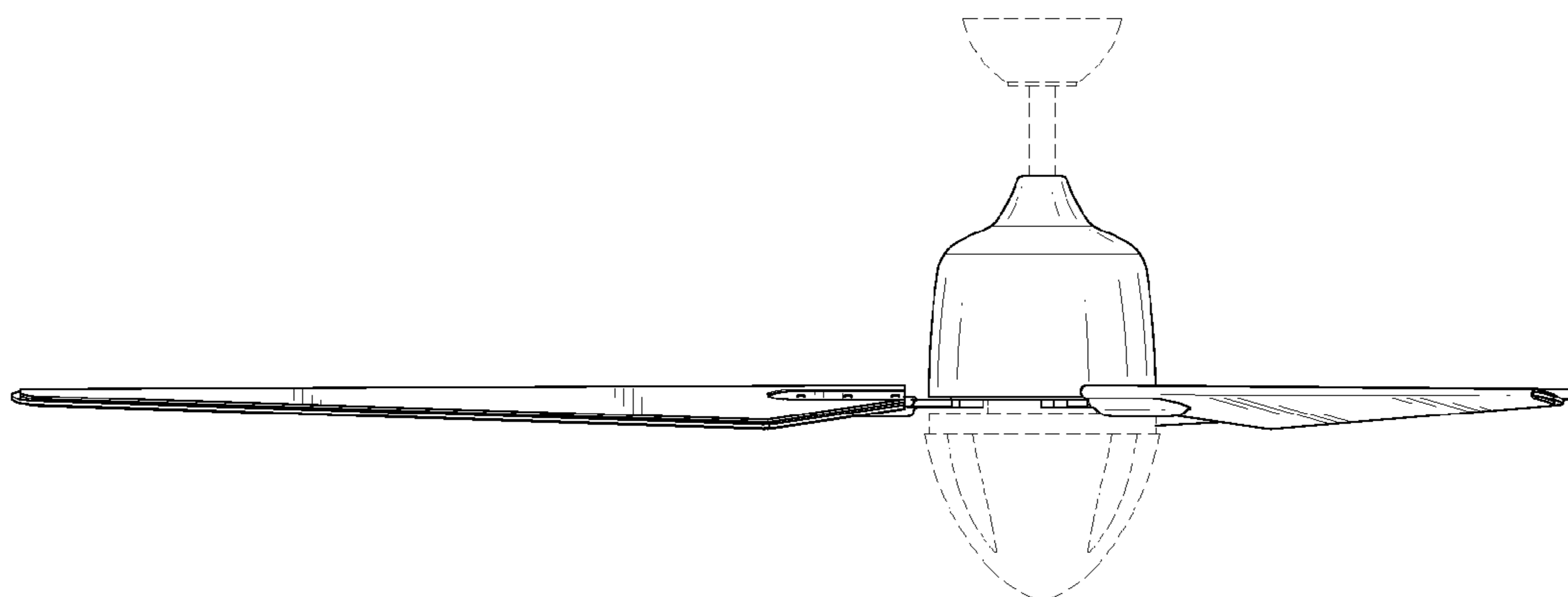


FIG. 3

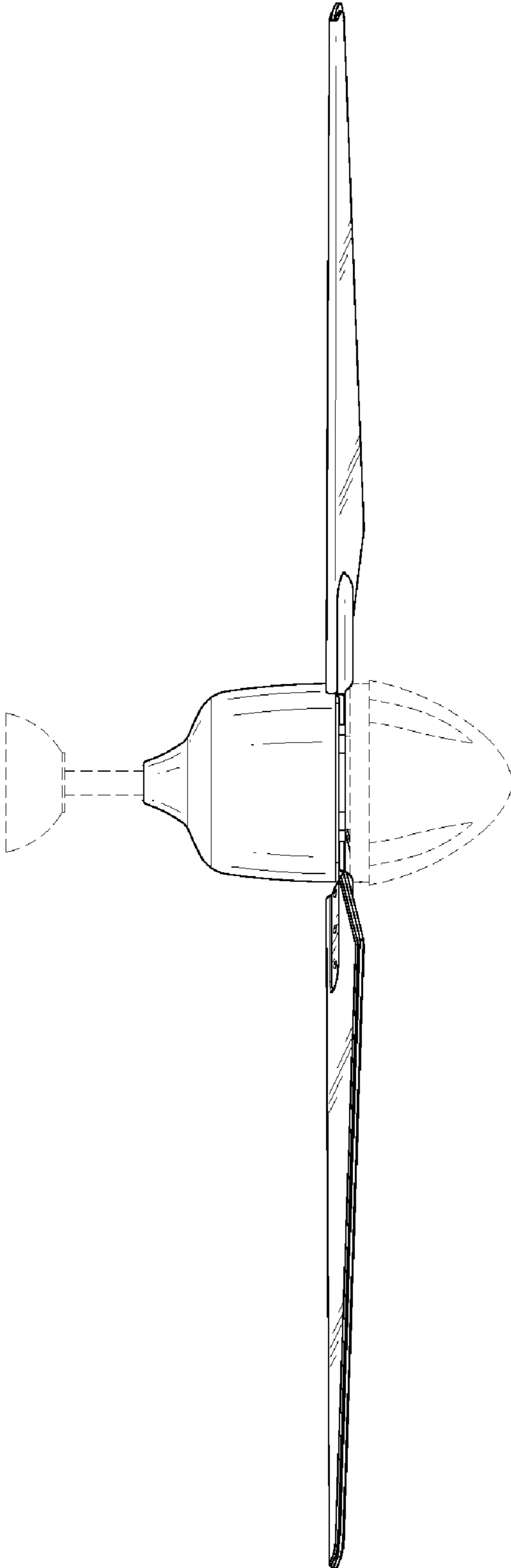


FIG. 4

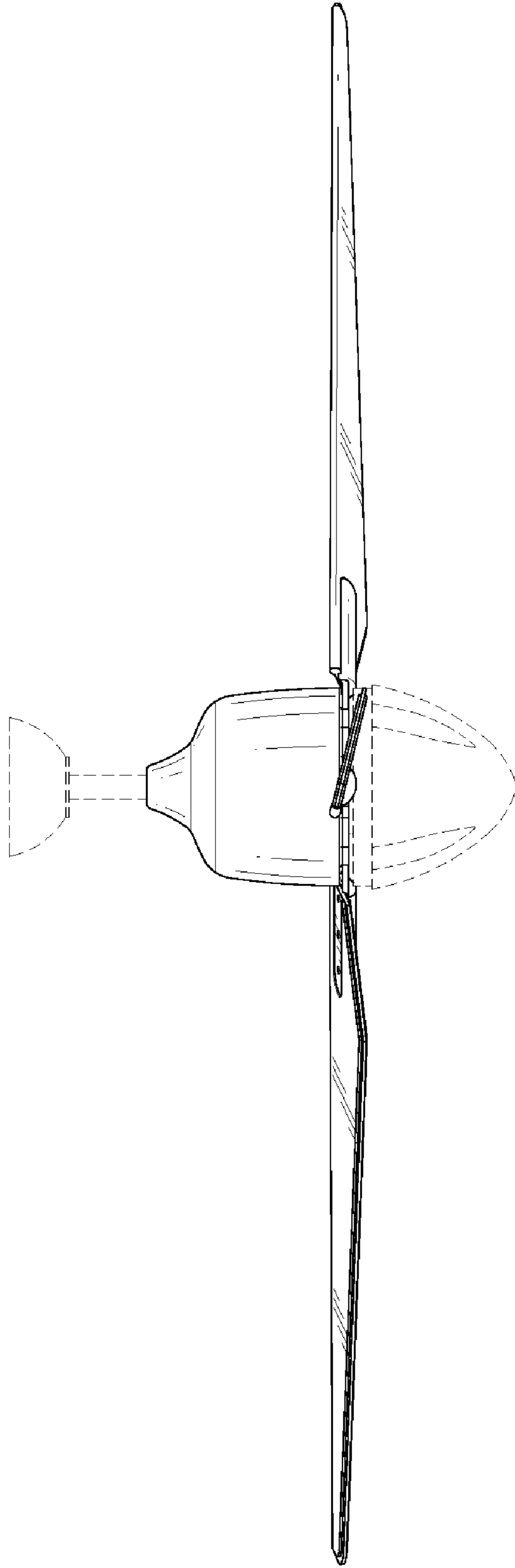


FIG. 5

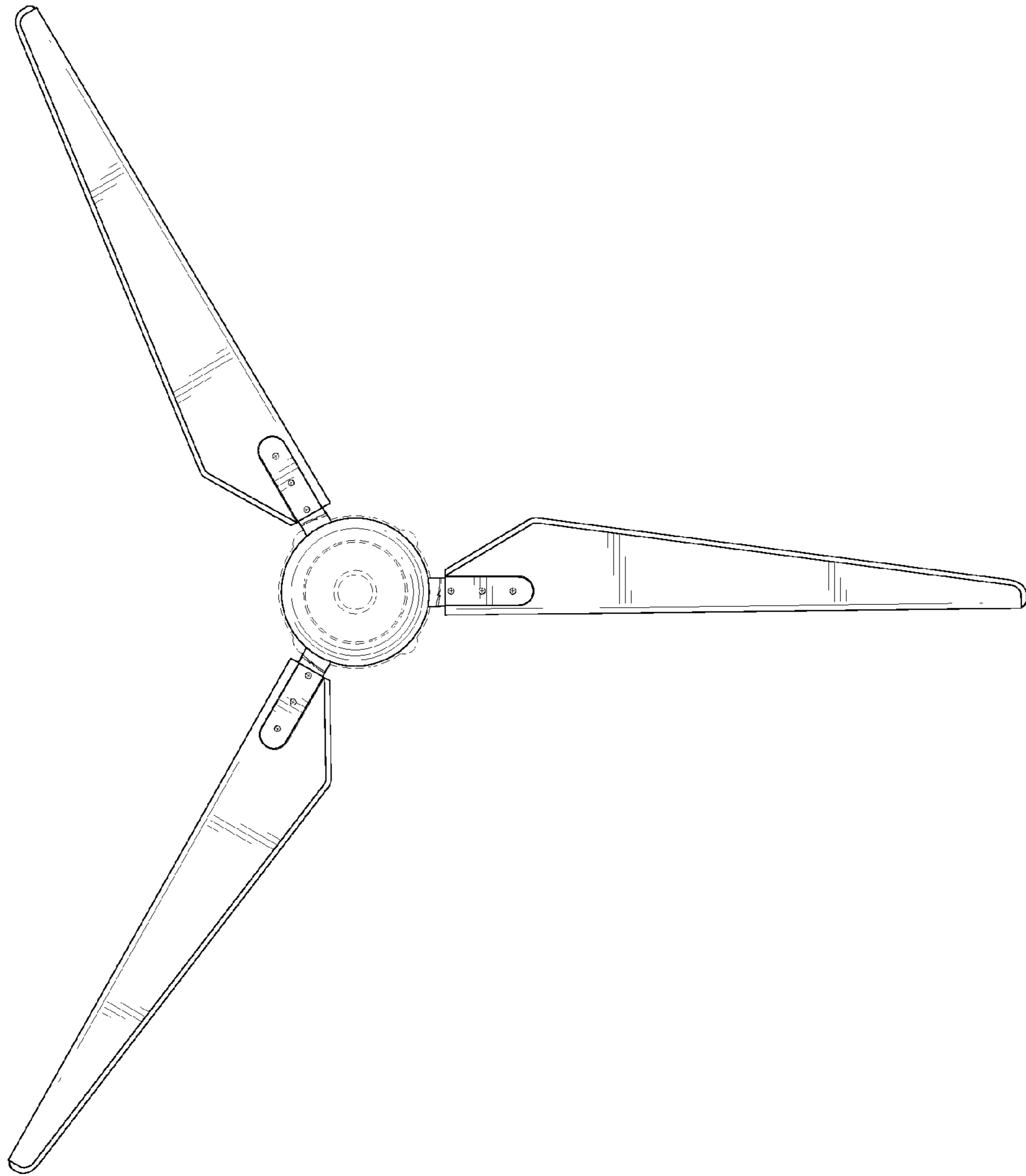


FIG. 6

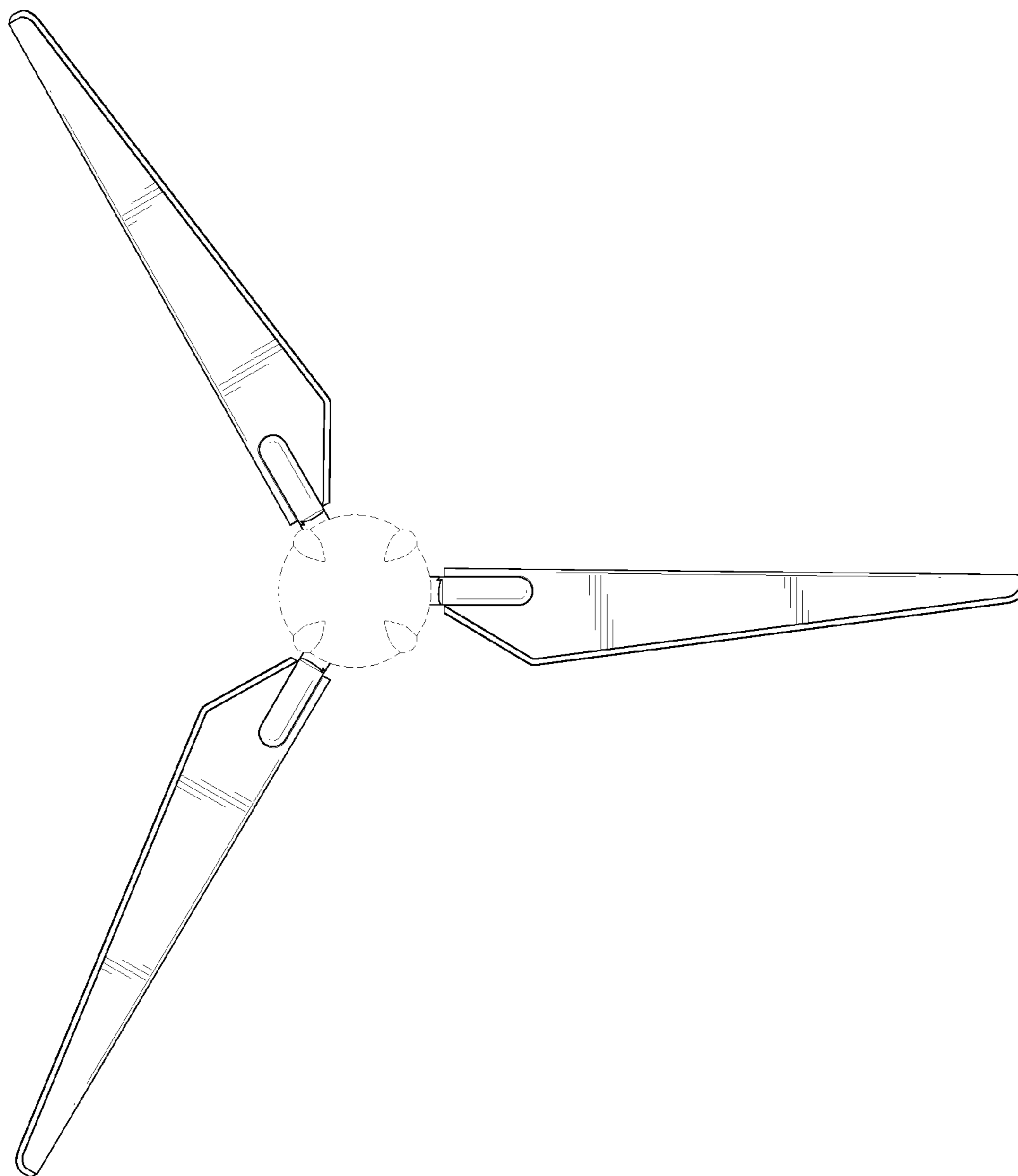


FIG. 7