



US00D599895S

(12) **United States Design Patent**
Heinz et al.

(10) **Patent No.:** **US D599,895 S**
(45) **Date of Patent:** **** Sep. 8, 2009**

(54) **COMBINED SINK AND CABINET**

(76) Inventors: **Eric Steven Heinz**, 2400 W. El Camino Real, Apartment 104, Mountain View, CA (US) 94040; **Frank Lee Long**, 739 Old Humboldt Rd., Jackson, TN (US) 38305

(**) Term: **14 Years**

(21) Appl. No.: **29/320,154**

(22) Filed: **Jun. 23, 2008**

(51) **LOC (9) Cl.** **23-02**

(52) **U.S. Cl.** **D23/286; D6/397**

(58) **Field of Classification Search** D23/270-271, D23/273-274, 284, 286-287, 292-293.1, D23/303, 308; 4/619, 630-631, 637-638, 4/639, 643, 655, 660-661, DIG. 18; D6/397, D6/432, 509, 422; D24/177

See application file for complete search history.

(56) **References Cited**

U.S. PATENT DOCUMENTS

- D291,511 S 8/1987 Lies
- D315,994 S 4/1991 Bayley
- D446,846 S * 8/2001 Ferrer Beltran D23/286
- D448,458 S 9/2001 Beltran

- 6,502,254 B1 1/2003 De Menna
- 6,957,452 B2 * 10/2005 Grant 4/638
- D544,075 S 6/2007 Mayer
- D550,335 S * 9/2007 Terrill D23/286

* cited by examiner

Primary Examiner—Robert A Delehanty
(74) *Attorney, Agent, or Firm*—Eric Heinz

(57) **CLAIM**

The ornamental design for a combined sink and cabinet, as shown and described.

DESCRIPTION

FIG. 1 is a front perspective view of a combined sink and cabinet;

FIG. 2 is a top view thereof;

FIG. 3 is a front view thereof;

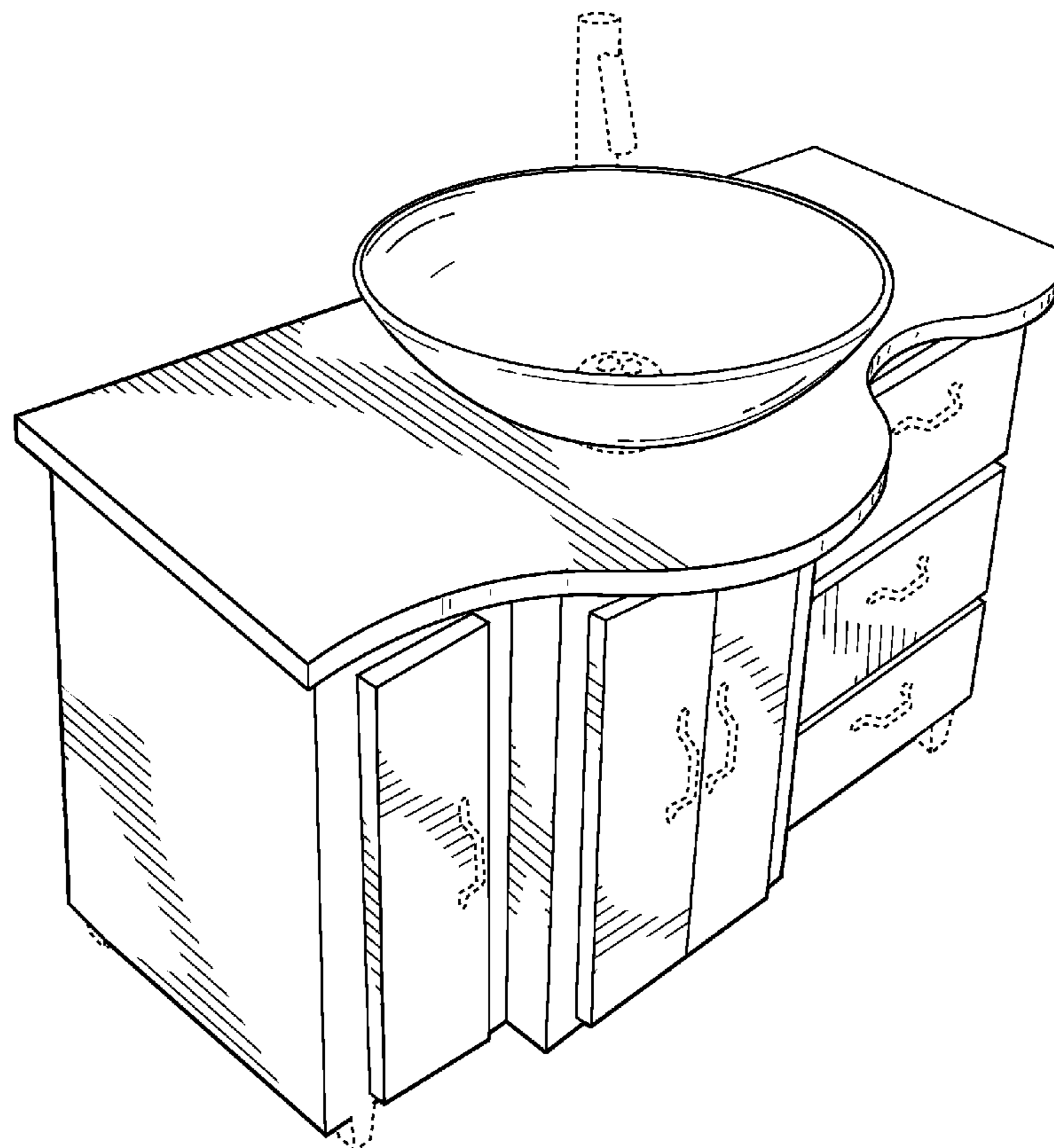
FIG. 4 is a right side view thereof; and,

FIG. 5 is a left side view thereof.

The rear of the design is plain and unornamented.

The broken lines shown in the drawings outlining the faucet, drain, handles, and feet of the vanity are for illustrative purposes only and form no part of the claimed design.

1 Claim, 5 Drawing Sheets



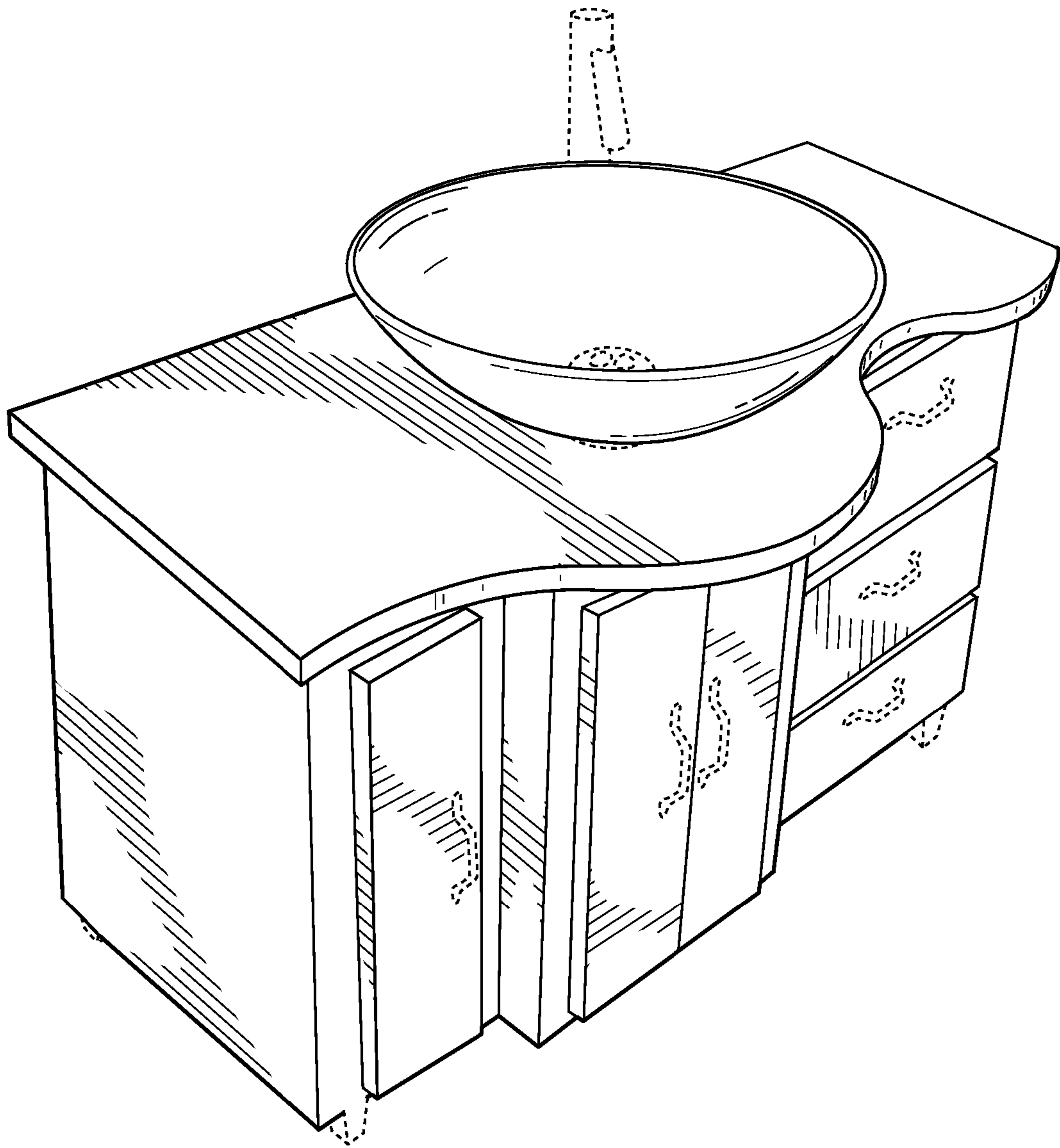


FIG. 1

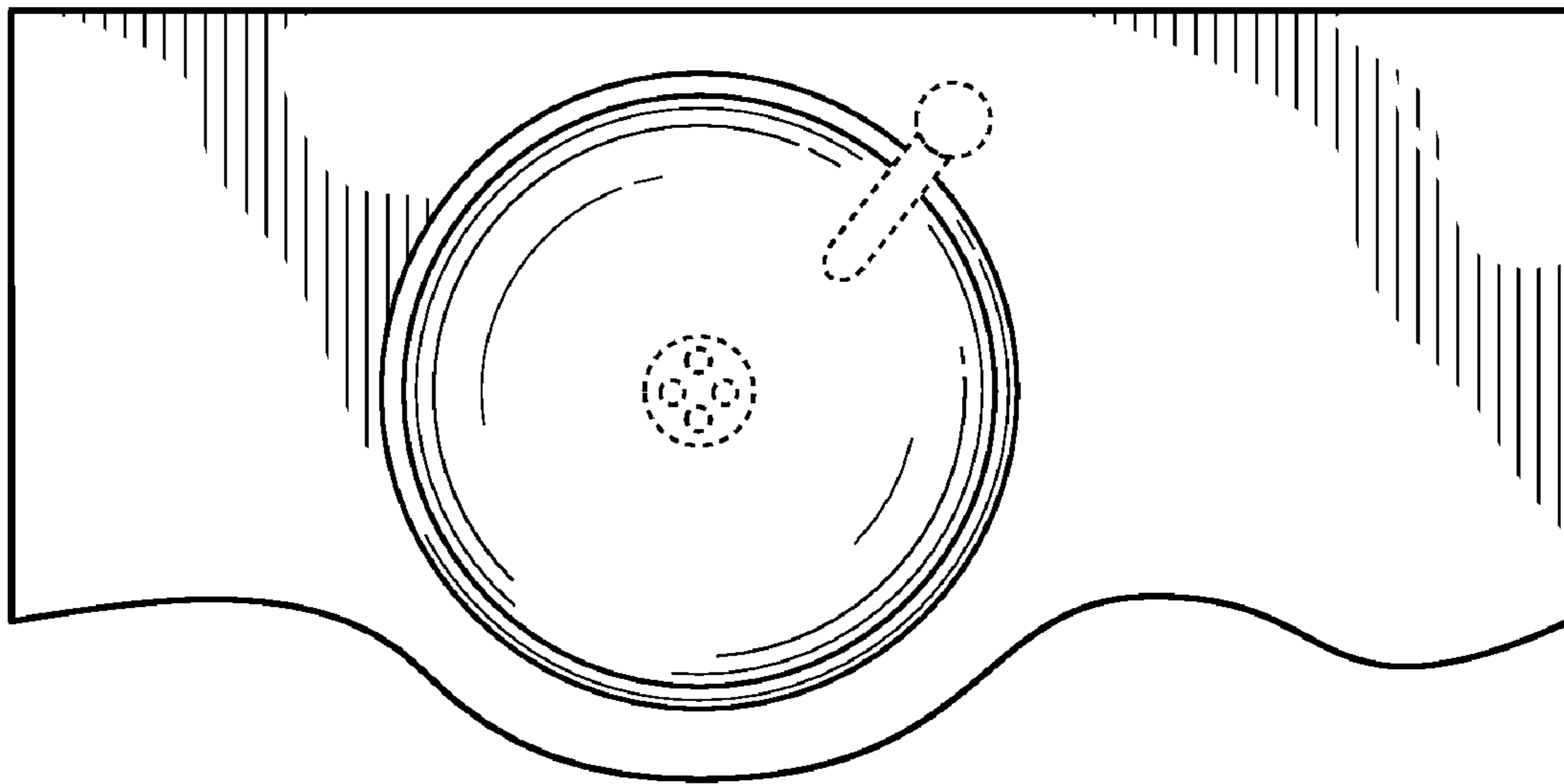


FIG. 2

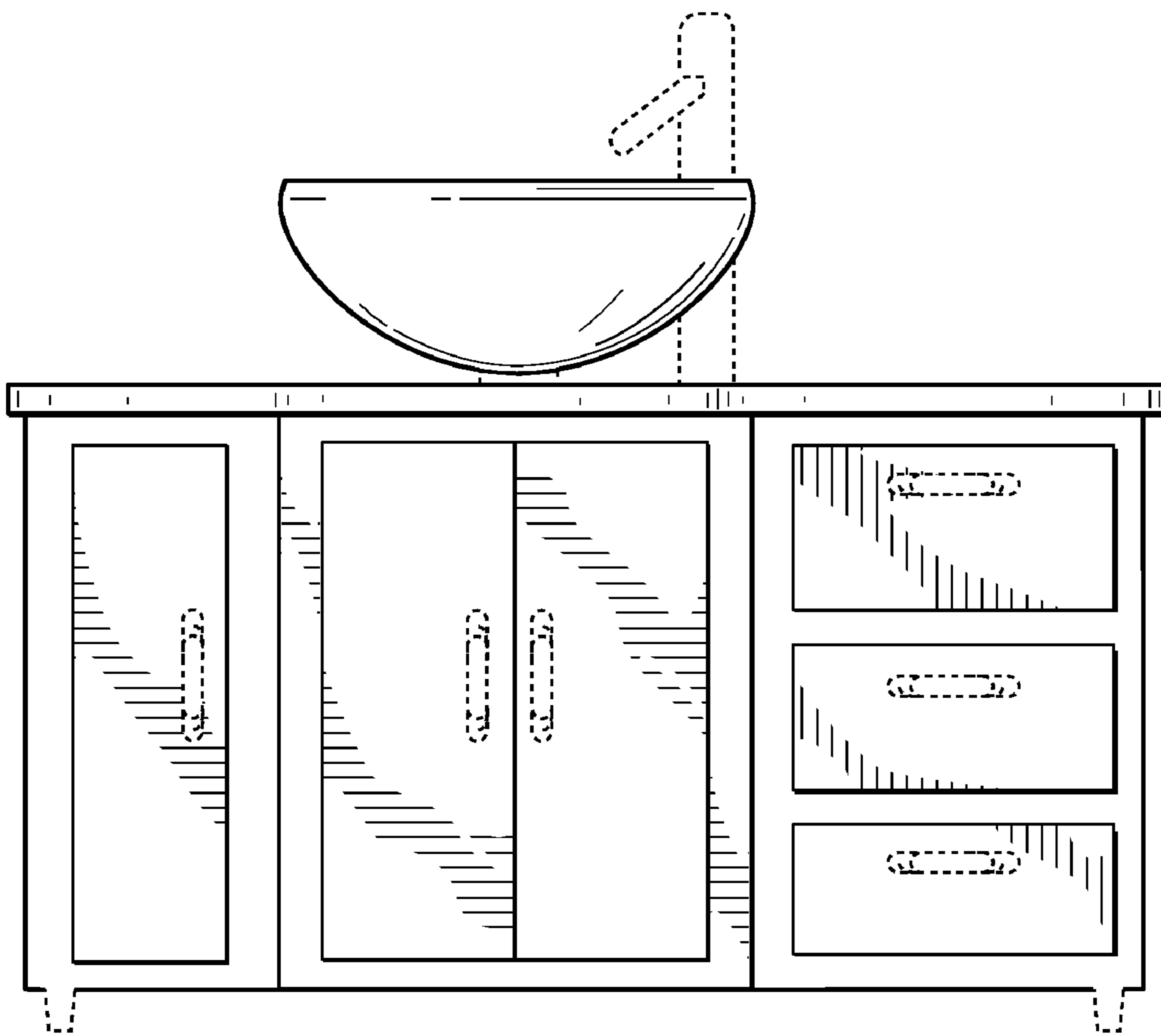


FIG. 3

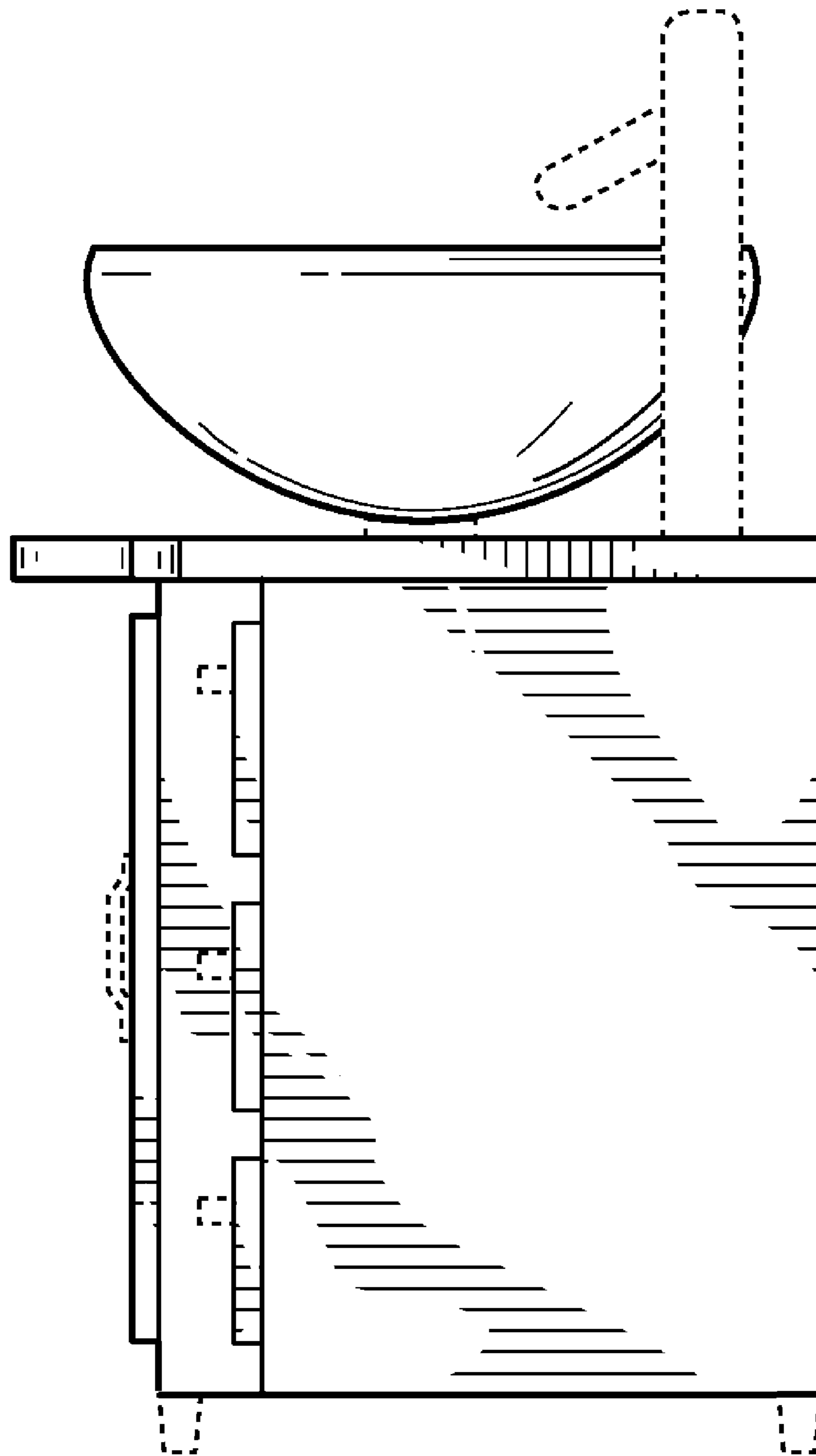


FIG. 4

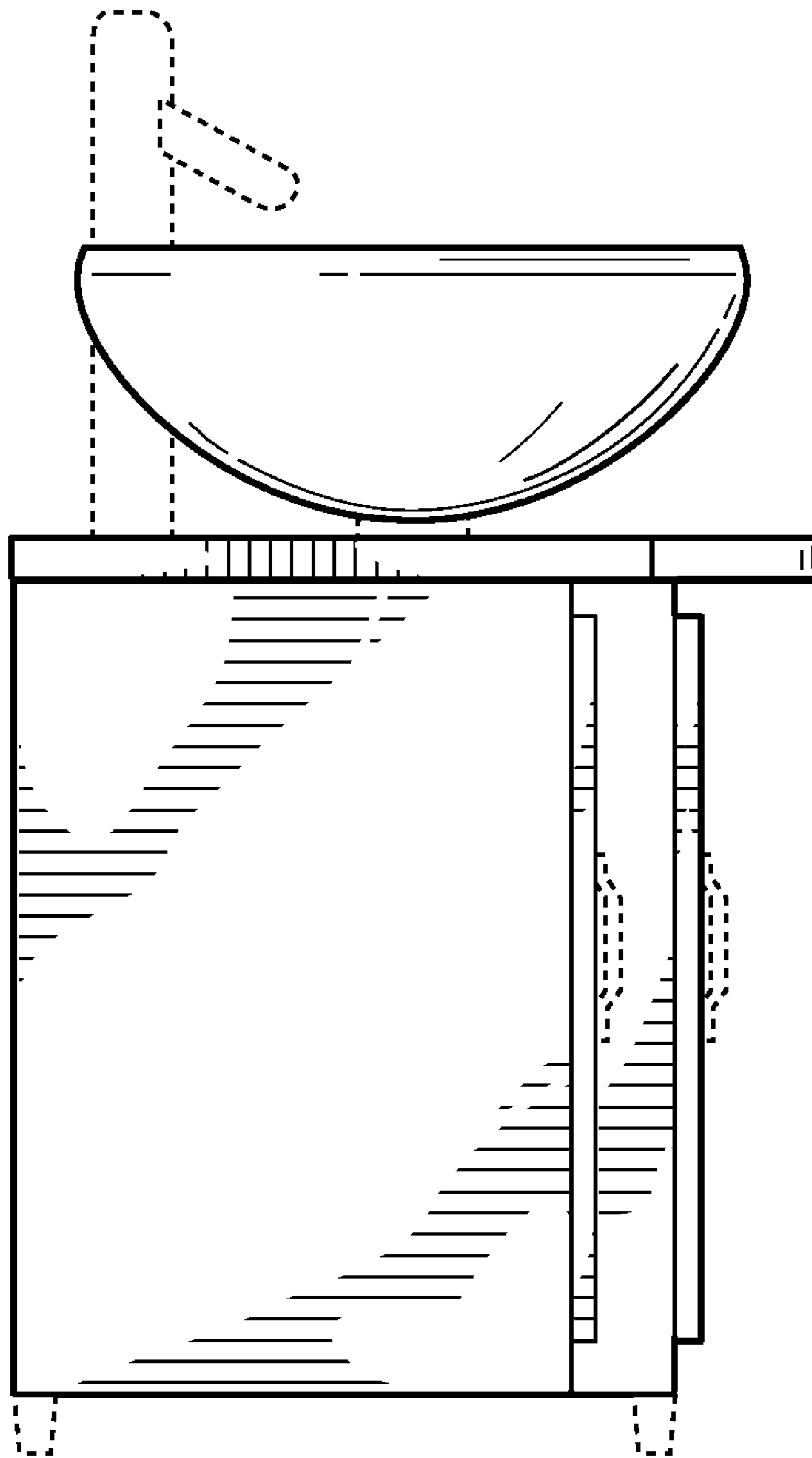


FIG. 5