



US00D599894S

(12) **United States Design Patent**
Price et al.

(10) **Patent No.:** **US D599,894 S**
(45) **Date of Patent:** **** Sep. 8, 2009**

(54) **SLIP SWIVEL MALE SEWER FITTING**

D564,076 S 3/2008 Brockington et al.
D564,637 S * 3/2008 Brockington et al. D23/263
D586,433 S * 2/2009 Price et al. D23/259

(75) Inventors: **Clay D. Price**, Stokesdale, NC (US);
Jeffrey R. Russell, Winston Salem, NC
(US)

(73) Assignee: **Camco Manufacturing Inc.**,
Greensboro, NC (US)

(**) Term: **14 Years**

(21) Appl. No.: **29/313,752**

(22) Filed: **Feb. 5, 2009**

(51) **LOC (9) Cl.** **23-01**

(52) **U.S. Cl.** **D23/262**

(58) **Field of Classification Search** D23/259–269;
285/11–12, 7, 177, 394–395, 307, 358, 179–183,
285/423, 356, 303, 337, 1, 53, 404, 112,
285/367, 373, 915; 4/321, 323; 292/58–59
See application file for complete search history.

(56) **References Cited**

U.S. PATENT DOCUMENTS

455,180 A * 6/1891 Doman 285/106
3,064,983 A * 11/1962 Halterman 277/604
4,643,229 A * 2/1987 Hickin 138/109
D292,308 S * 10/1987 Beltran D23/269
4,706,701 A * 11/1987 Cresswell 137/247.41
D314,422 S * 2/1991 Adorjan D23/262
D329,013 S * 9/1992 Stoner, Jr. D8/395
5,417,460 A 5/1995 Lunder
D362,902 S * 10/1995 Reiber D23/269
5,915,411 A 6/1999 Gilbert et al.
D561,303 S 2/2008 Brockington et al.

OTHER PUBLICATIONS

Ref. No. 1, Camco Manufacturing Inc. RV Straight Hose Adapter
(P/N 39413), Camco website (www.Camco.net), Jan. 26, 2009.
Ref. No. 2, Camco Manufacturing Inc. Easy Slip RV Straight Hose
Adapter (P/N 39173), Camco website (www.Camco.net), Jan. 26,
2009.

* cited by examiner

Primary Examiner—T. Chase Nelson
Assistant Examiner—Eric L Goodman

(57) **CLAIM**

The ornamental design for a slip swivel male sewer fitting, as
shown and described.

DESCRIPTION

FIG. 1 is a top, left rear perspective view of a slip swivel male
sewer fitting embodying our design;

FIG. 2 is a top, left front perspective view of the same inven-
tion in FIG. 1;

FIG. 3 is a rear side elevational view thereof;

FIG. 4 is a front side elevational view thereof;

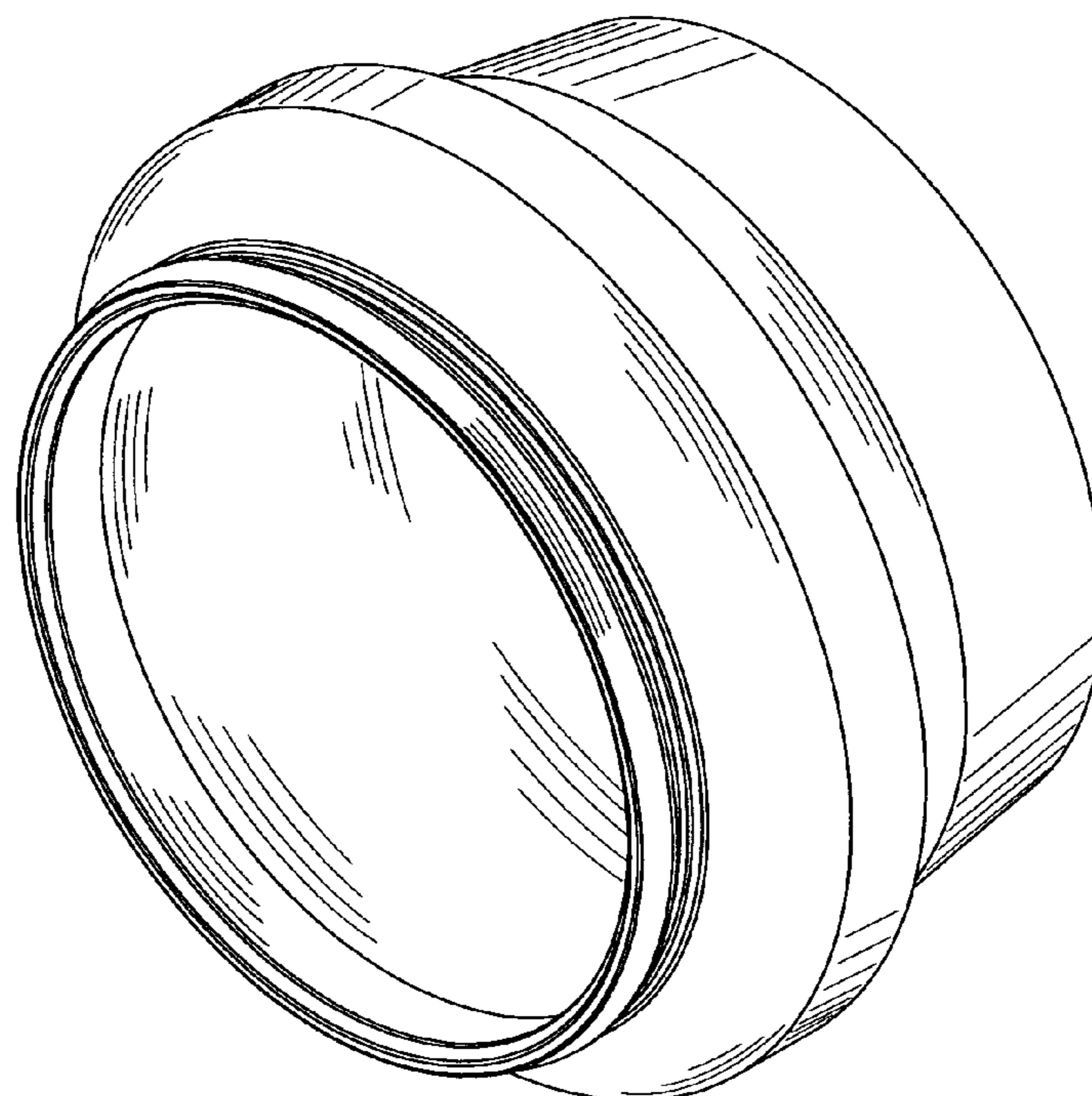
FIG. 5 is a left side elevational view thereof;

FIG. 6 is a right side elevational view thereof;

FIG. 7 is a top plan view thereof; and,

FIG. 8 is a bottom plan view thereof.

1 Claim, 4 Drawing Sheets



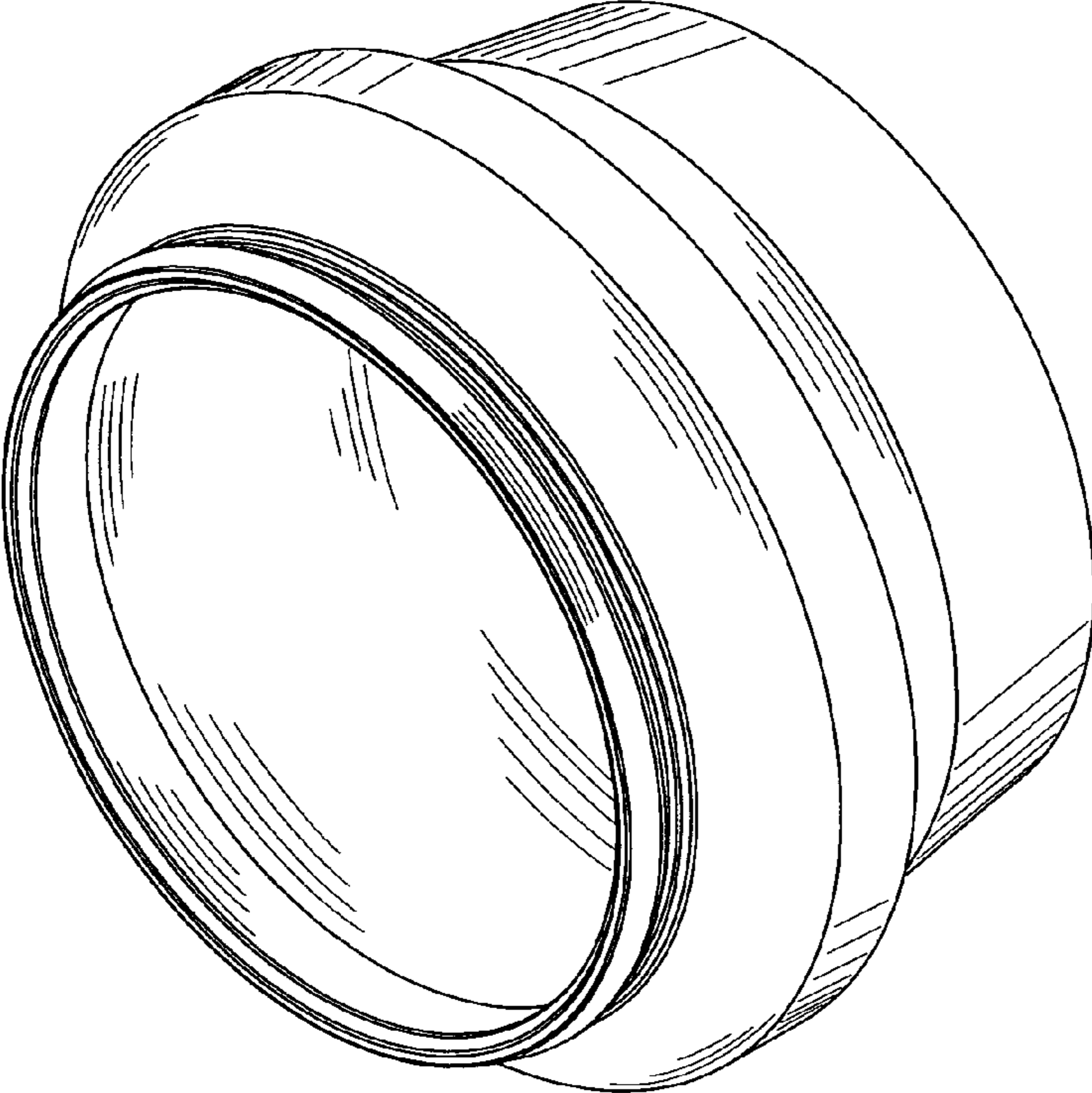


FIG. 1

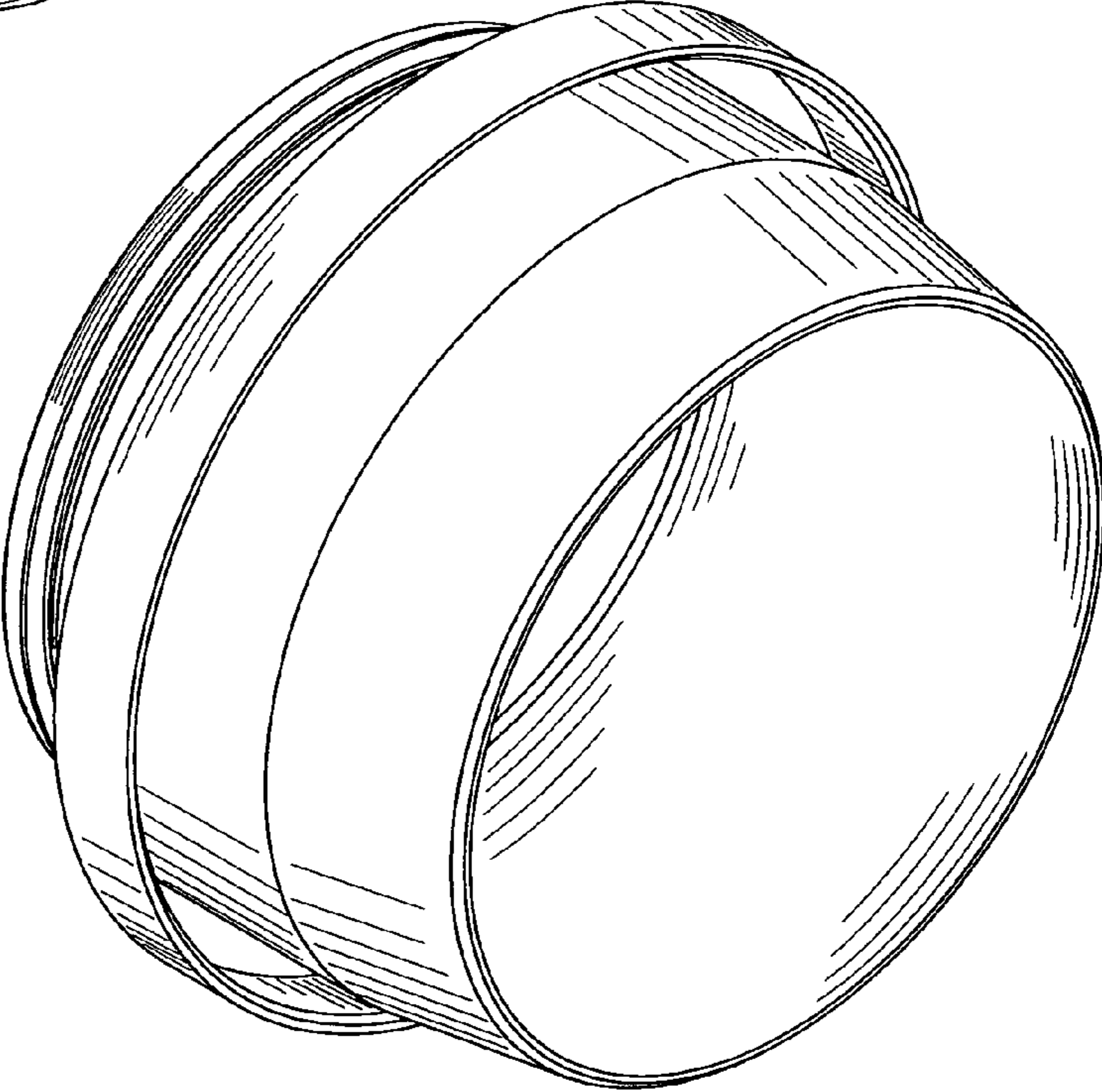


FIG. 2

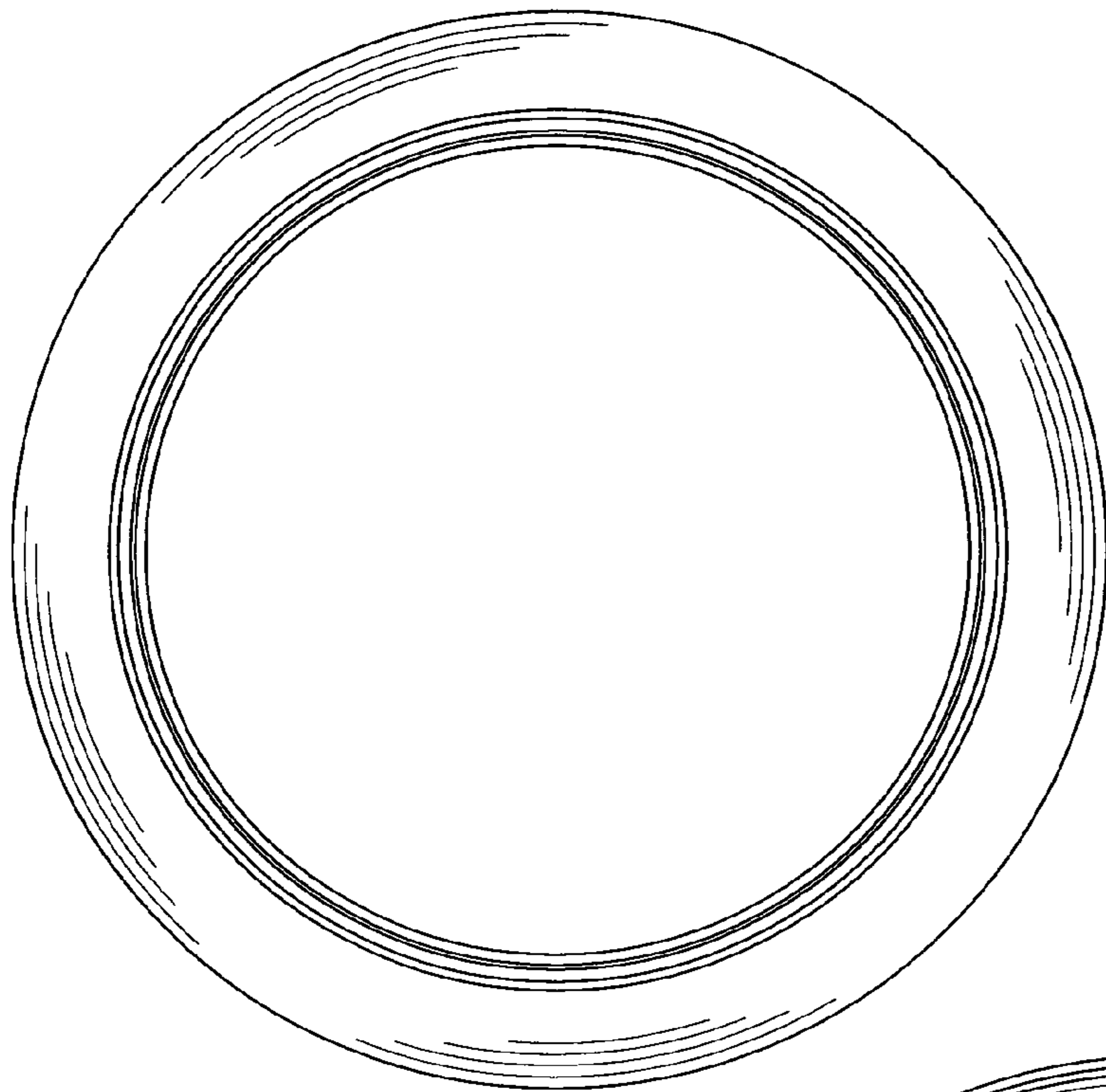


FIG. 3

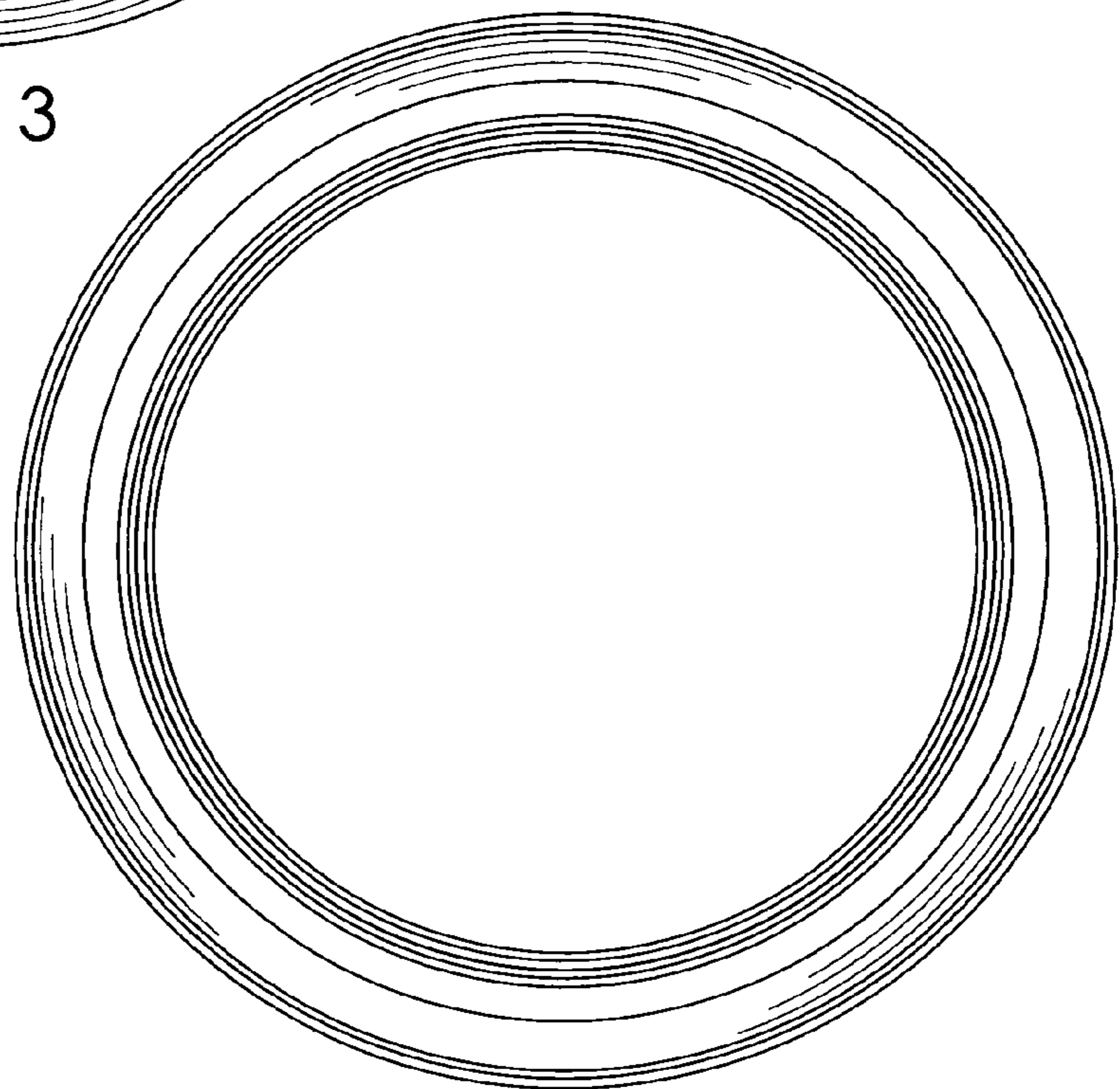


FIG. 4

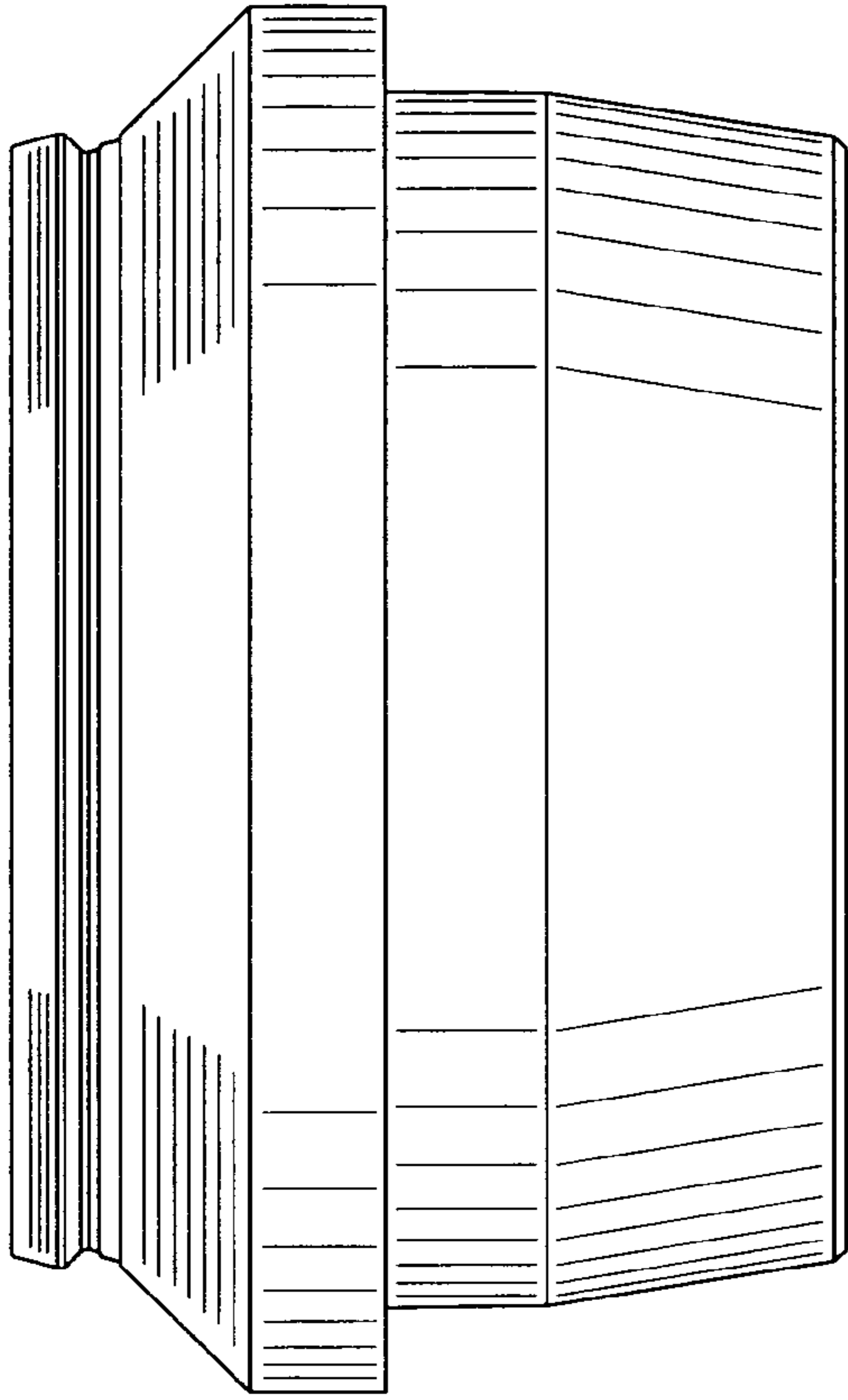


FIG. 5

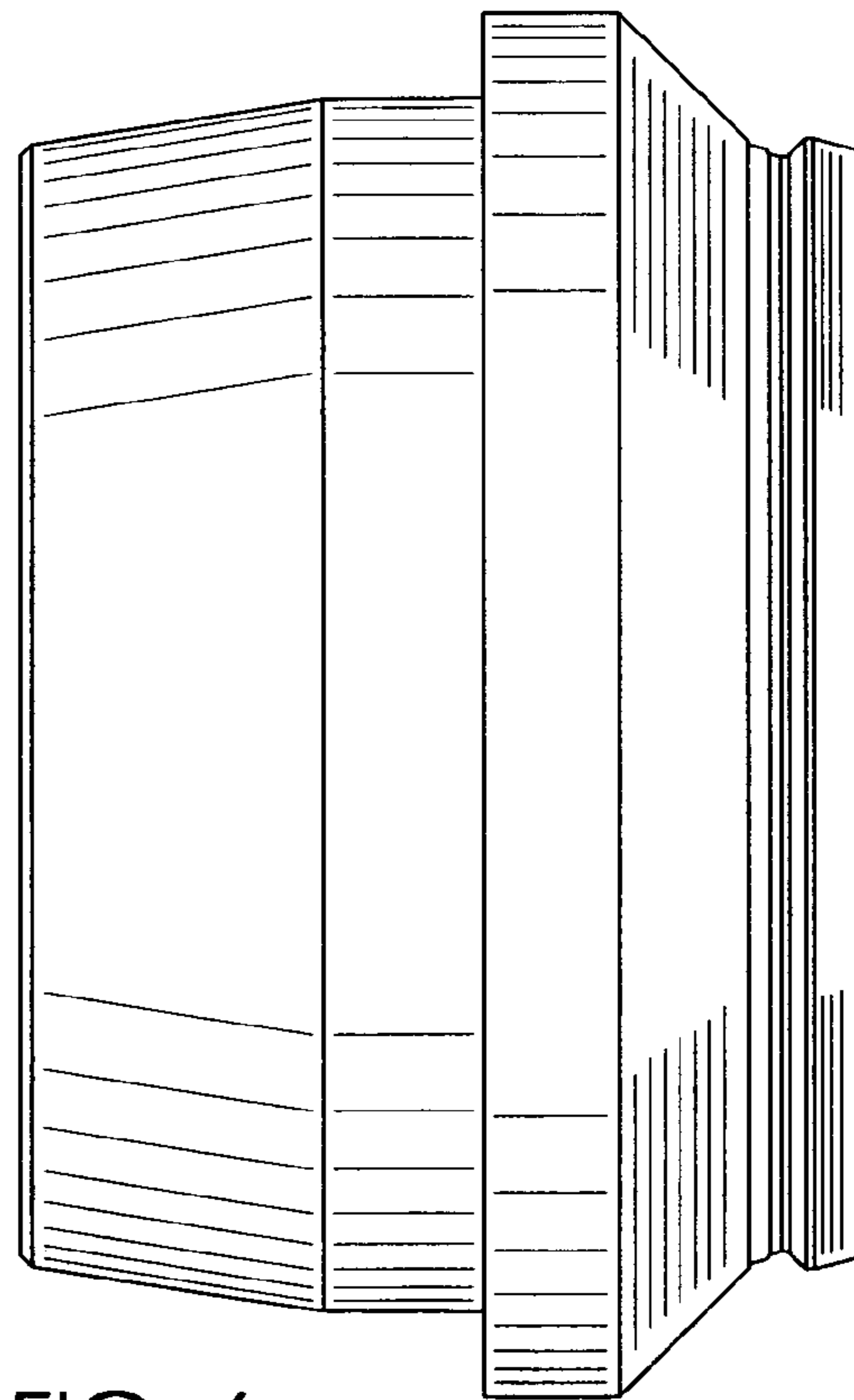


FIG. 6

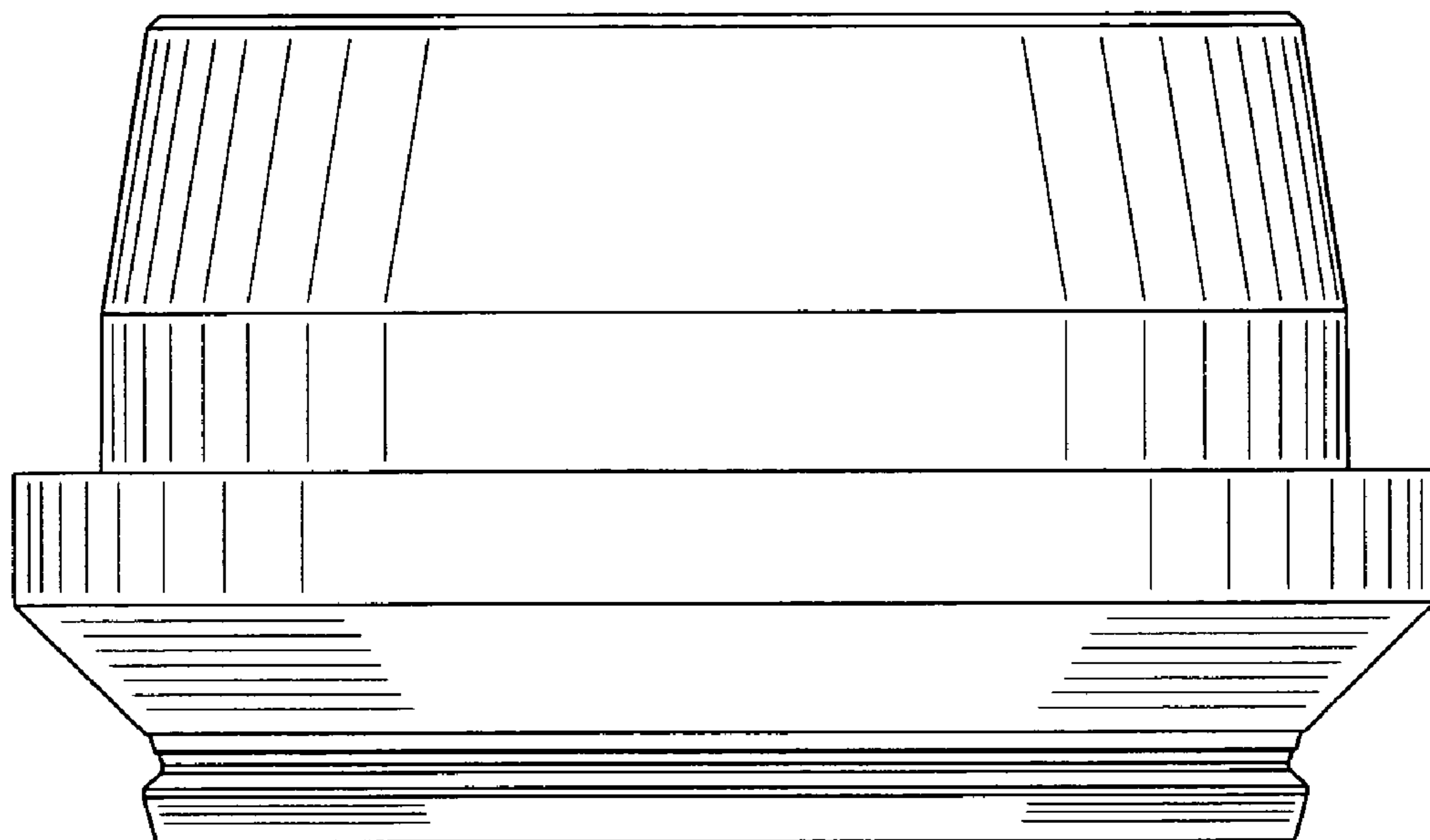


FIG. 7

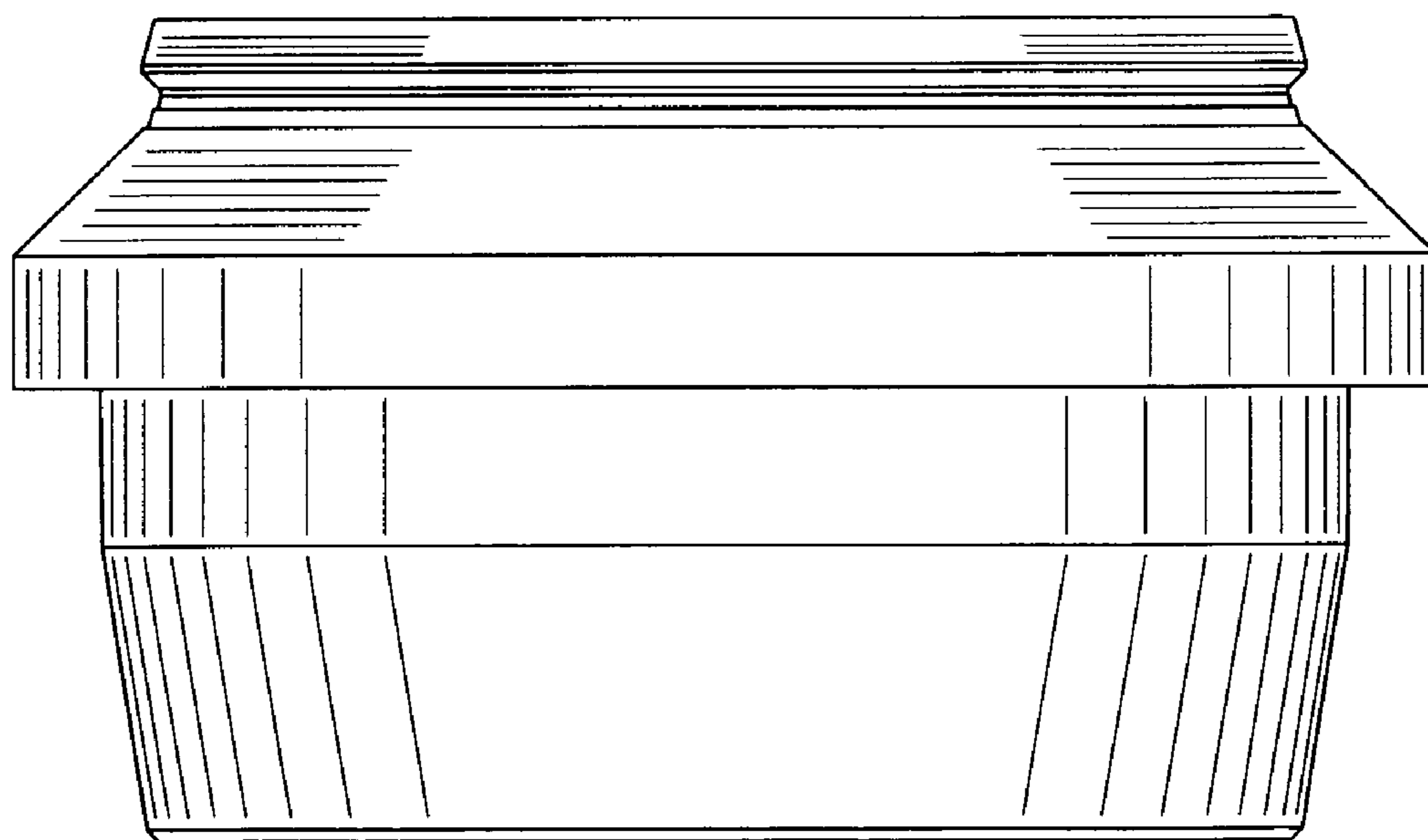


FIG. 8