



US00D599893S

(12) **United States Design Patent**
Sieger

(10) **Patent No.:** **US D599,893 S**

(45) **Date of Patent:** **** Sep. 8, 2009**

(54) **POT-FILLER FAUCET**

D576,705 S * 9/2008 McKeone D23/238
D589,121 S * 3/2009 McKeone D23/238

(75) Inventor: **Michael Sieger**, Sassenberg (DE)

* cited by examiner

(73) Assignee: **Aloys F. Dornbracht GmbH & Co. KG**, Iserlohn (DE)

Primary Examiner—Robert A Delehanty

(74) *Attorney, Agent, or Firm*—Andrew Wilford

(**) Term: **14 Years**

(57) **CLAIM**

(21) Appl. No.: **29/325,024**

The ornamental design for pot-filler faucet, as shown and described.

(22) Filed: **Sep. 25, 2008**

(30) **Foreign Application Priority Data**

Mar. 25, 2008 (EM) 000910229-0002

Mar. 25, 2008 (EM) 000910229-0003

(51) **LOC (9) Cl.** **23-01**

(52) **U.S. Cl.** **D23/255**

(58) **Field of Classification Search** D23/239-243,
D23/250-254, 255-257, 213, 223, 226; 4/675-678;
137/801; 16/110.1; D8/300, 307-312; D6/512,
D6/524, 546, 550

See application file for complete search history.

(56) **References Cited**

U.S. PATENT DOCUMENTS

1,838,290 A * 12/1931 Steckel 137/799

DESCRIPTION

FIG. 1 is a front right-side perspective view of a pot-filler faucet according to the invention;

FIG. 2 is a front left-side perspective view of the pot-filler faucet;

FIG. 3 is a right-side elevational view of the pot-filler faucet, the left side being mirror-symmetrically identical;

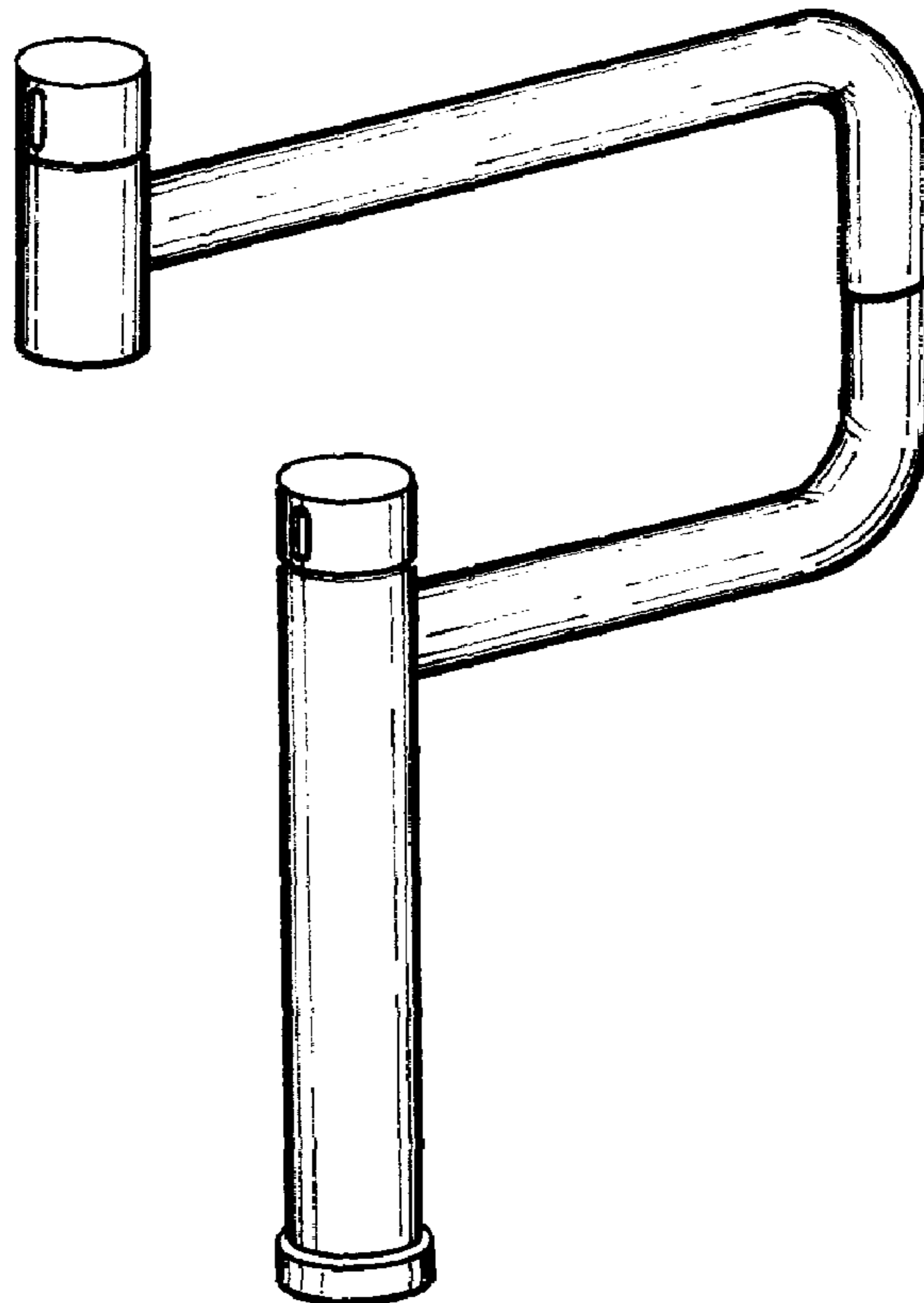
FIG. 4 is a front elevational view of the pot-filler faucet;

FIG. 5 is a top view of the pot-filler faucet;

FIG. 6 is a rear left-side perspective view of the pot-filler faucet with the spout pivoted to the right; and,

FIG. 7 is a rear right-side perspective view of the pot-filler faucet as in FIG. 6.

1 Claim, 4 Drawing Sheets



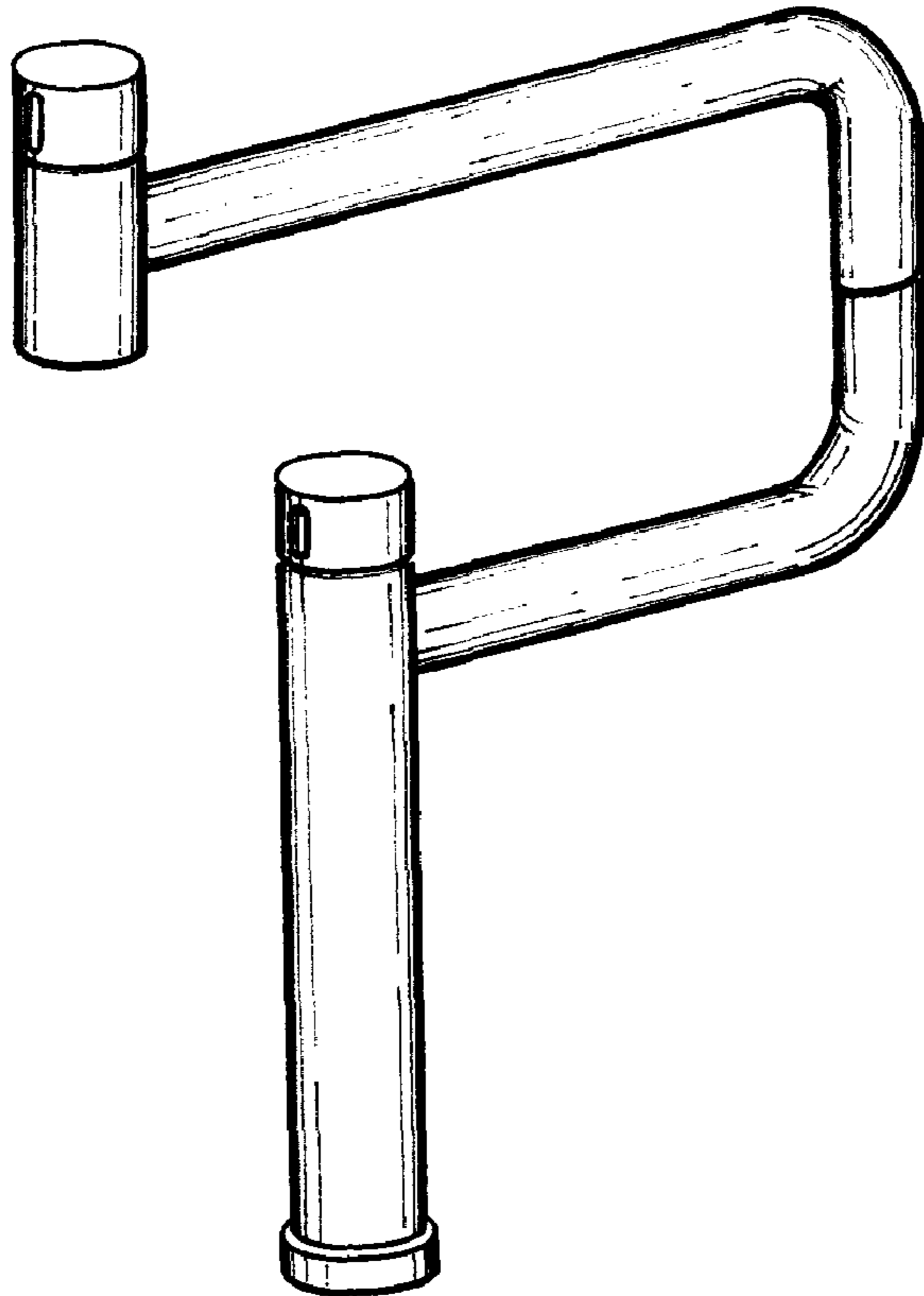


FIG. 1

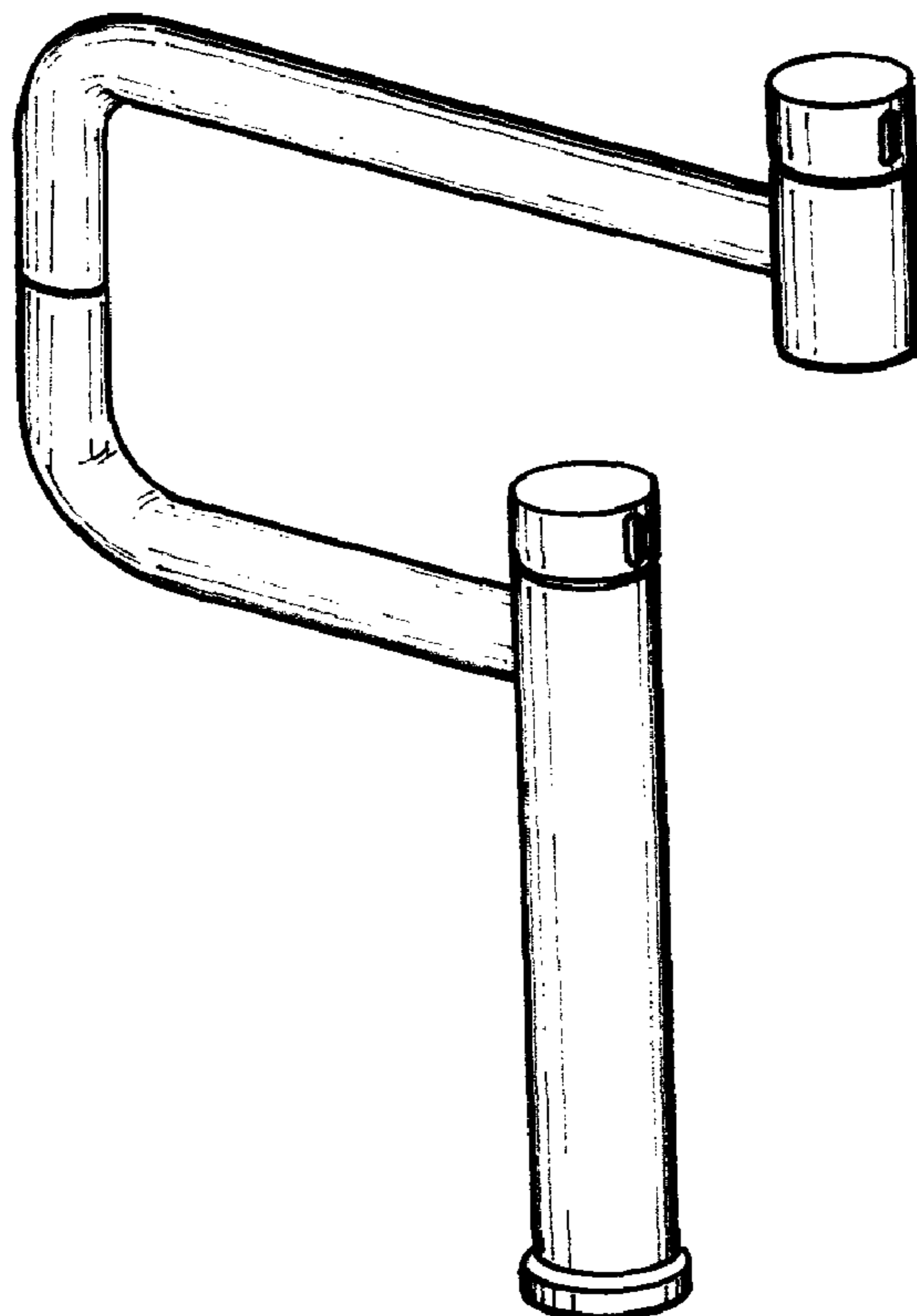


FIG. 2

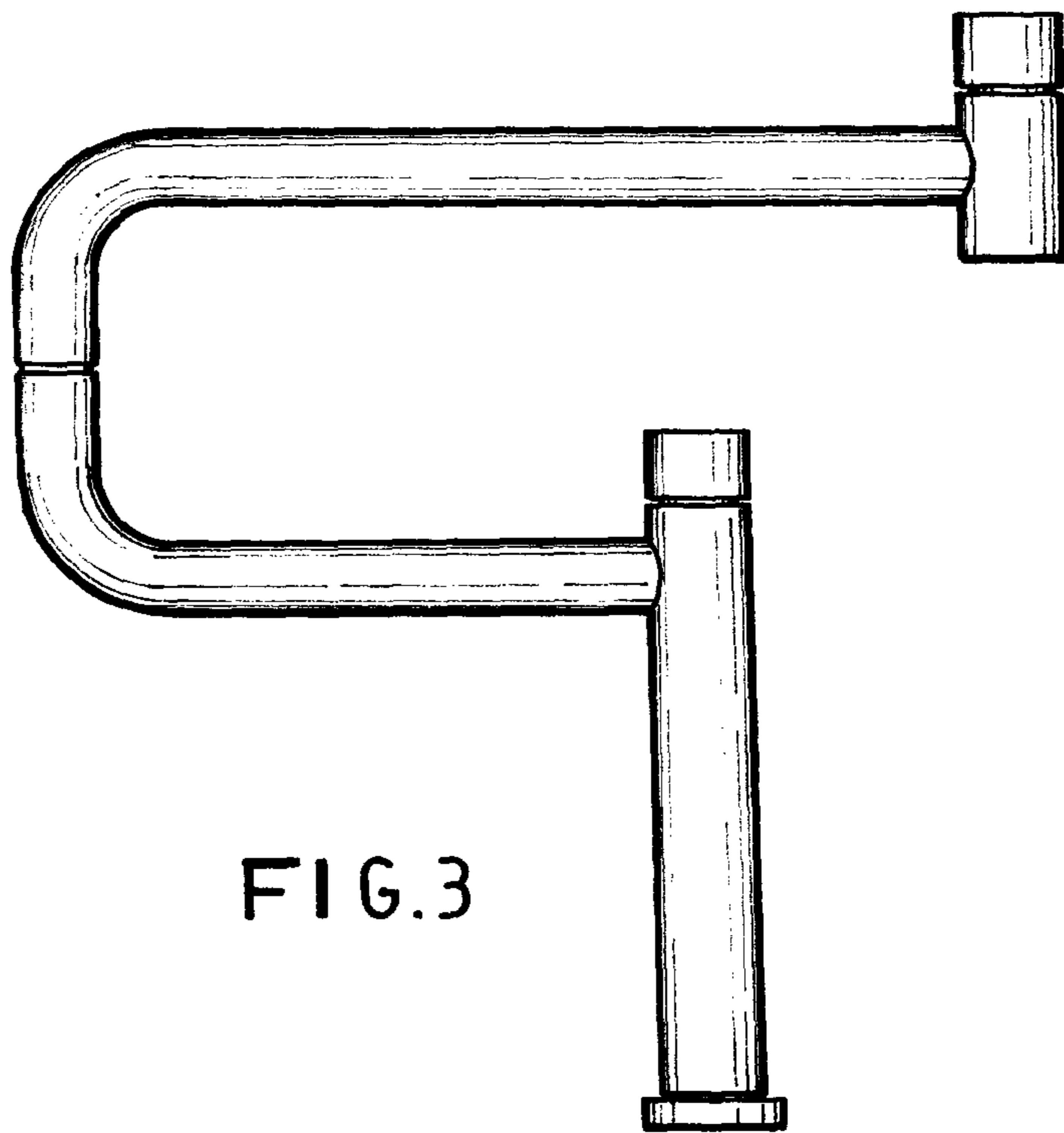


FIG. 3

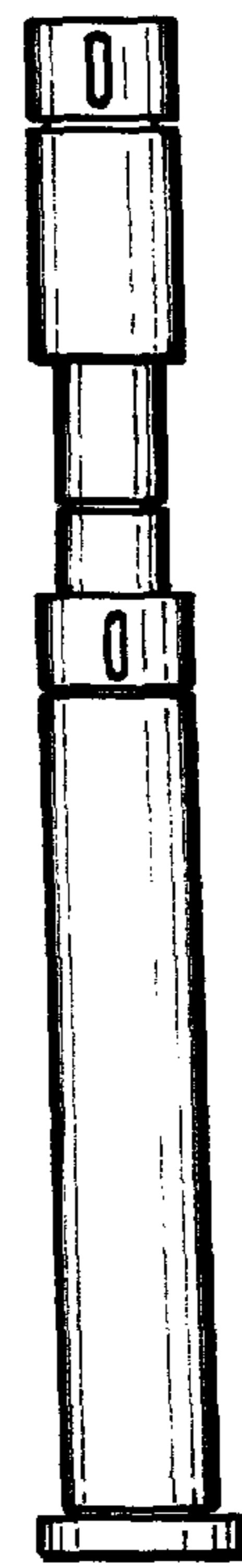


FIG. 4

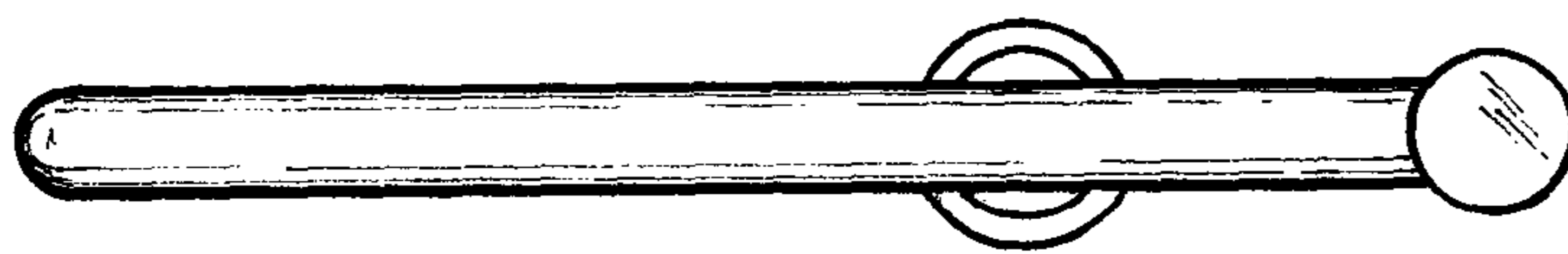


FIG. 5

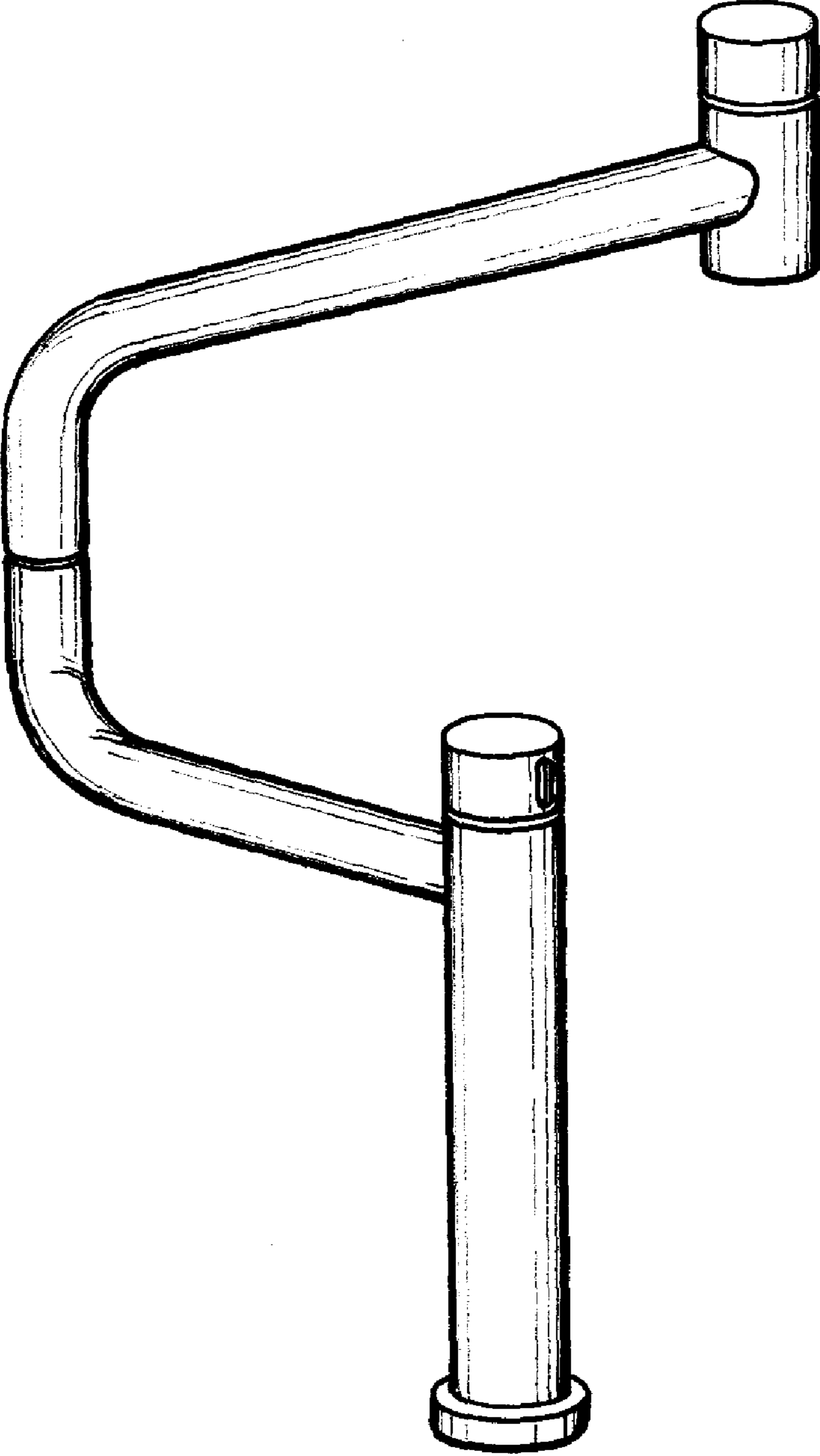


FIG.6

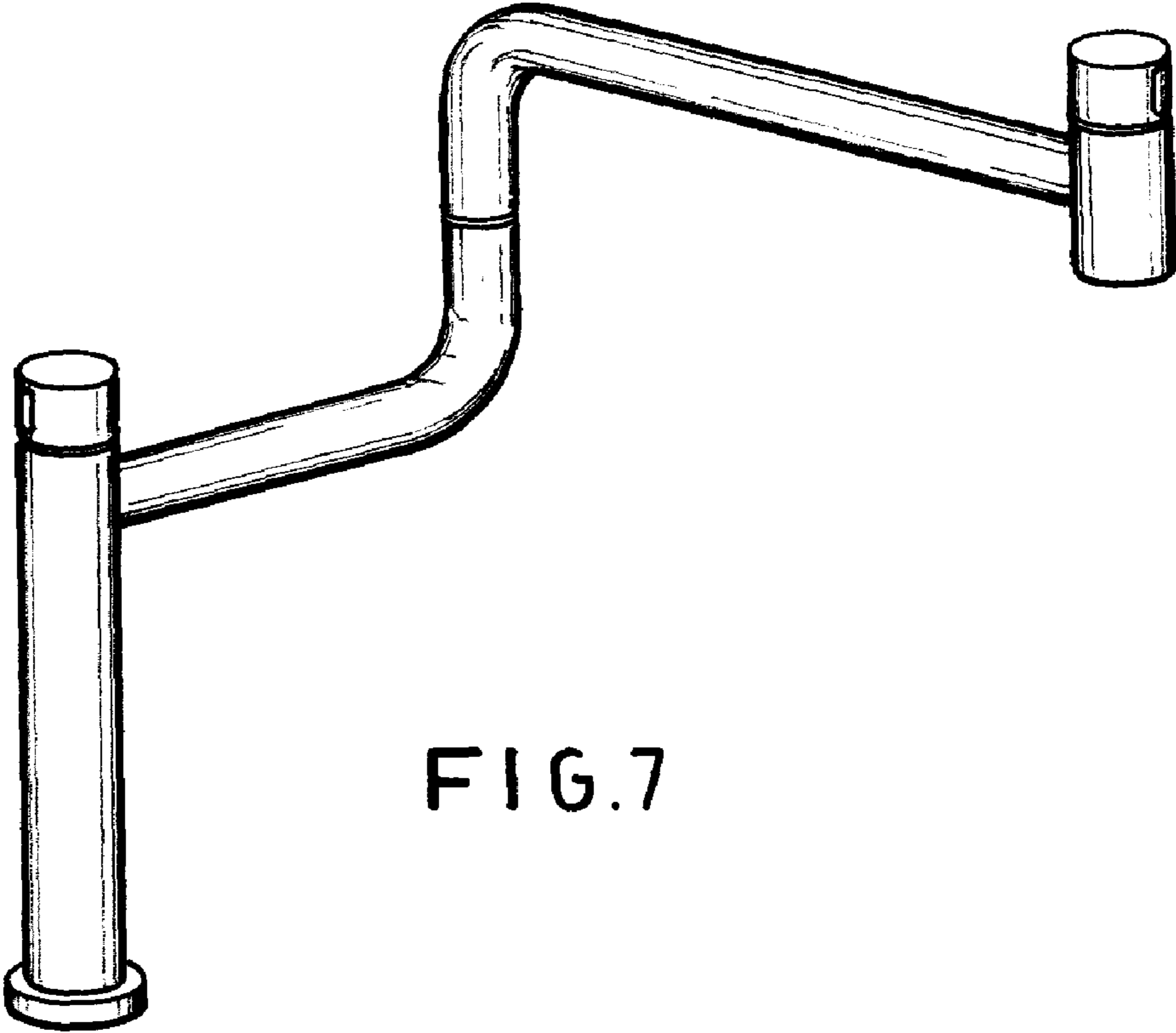


FIG. 7