



US00D599889S

(12) **United States Design Patent**
Oshima et al.

(10) **Patent No.:** **US D599,889 S**

(45) **Date of Patent:** **** Sep. 8, 2009**

(54) **ELECTROMAGNETIC VALVE**

(75) Inventors: **Masayuki Oshima**, Tsukubamirai (JP);
Naoto Fujitsuka, Tsukubamirai (JP)

(73) Assignee: **SMC Corporation**, Chiyoda-ku, Tokyo
(JP)

(**) Term: **14 Years**

(21) Appl. No.: **29/331,545**

(22) Filed: **Jan. 27, 2009**

(30) **Foreign Application Priority Data**

Jul. 29, 2008 (JP) 2008-019470

(51) **LOC (9) Cl.** **23-01**

(52) **U.S. Cl.** **D23/233**

(58) **Field of Classification Search** D23/233-237,
D23/244-249; D15/5, 7, 199; 137/554,
137/557, 560, 882, 884, 343, 625.64, 269,
137/271; 251/12, 130, 129.04, 219, 331;
4/305

See application file for complete search history.

(56) **References Cited**

U.S. PATENT DOCUMENTS

D427,663 S * 7/2000 Hayashi et al. D23/233
D479,308 S * 9/2003 Hayashi et al. D23/233
D532,865 S * 11/2006 Miyazoe et al. D23/233

D533,628 S * 12/2006 Miyazoe et al. D23/233
D545,944 S * 7/2007 Miyazoe D23/233
D545,945 S * 7/2007 Miyazoe D23/233

* cited by examiner

Primary Examiner—Cathron C. Brooks

Assistant Examiner—Maurice Stevens

(74) *Attorney, Agent, or Firm*—Yokoi & Co., U.S.A., Inc.;
Peter Ganjian

(57) **CLAIM**

The ornamental design for an electromagnetic valve, as shown and described.

DESCRIPTION

FIG. 1 shows a front view of an electromagnetic valve showing my new design;

FIG. 2 shows a rear view thereof;

FIG. 3 shows a right side view thereof;

FIG. 4 shows a left side view thereof;

FIG. 5 shows a top view thereof;

FIG. 6 shows a bottom view thereof;

FIG. 7 shows a top, front and left side perspective view thereof; and,

FIG. 8 shows a top, rear and right; side perspective view thereof.

1 Claim, 5 Drawing Sheets

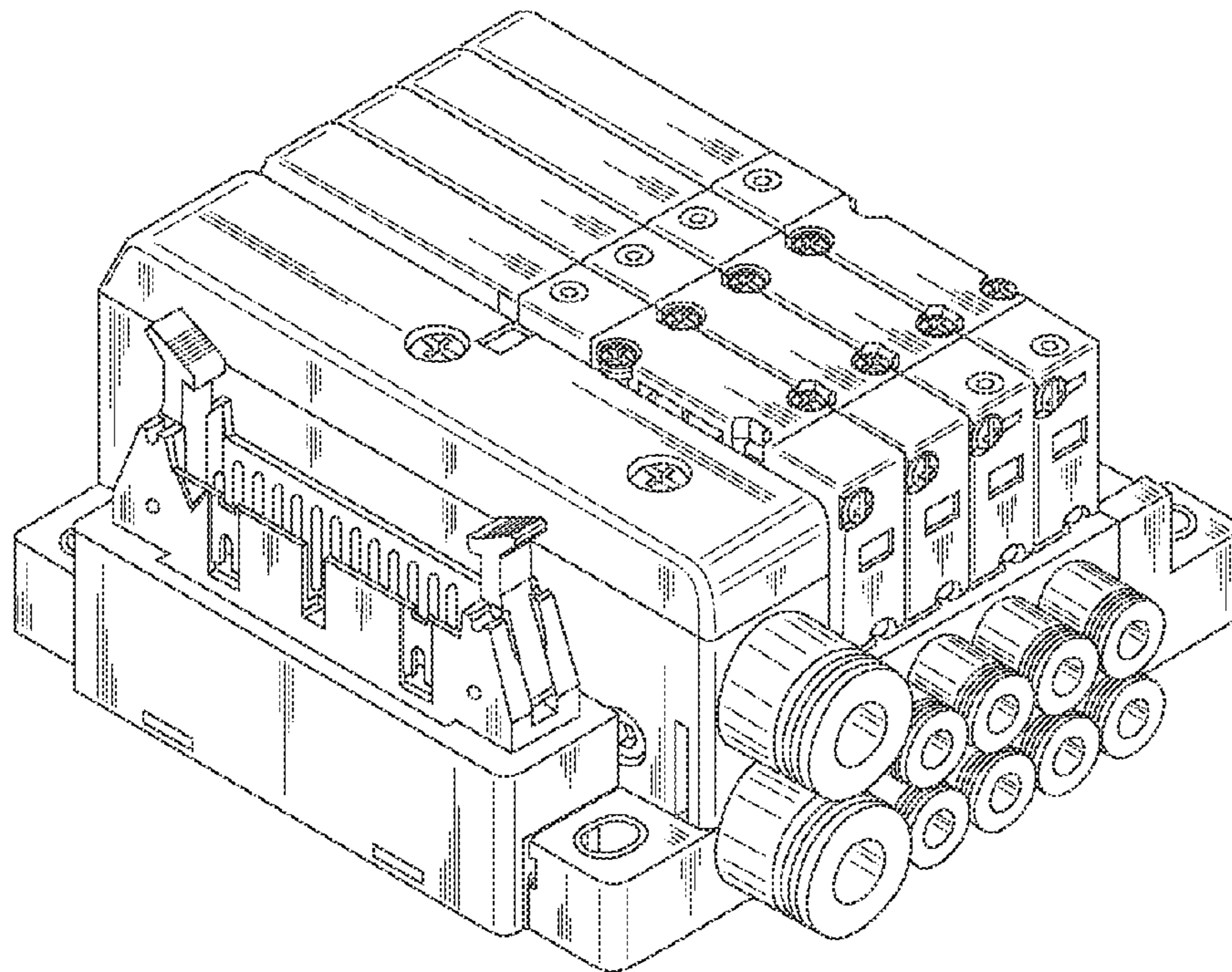


FIG. 1

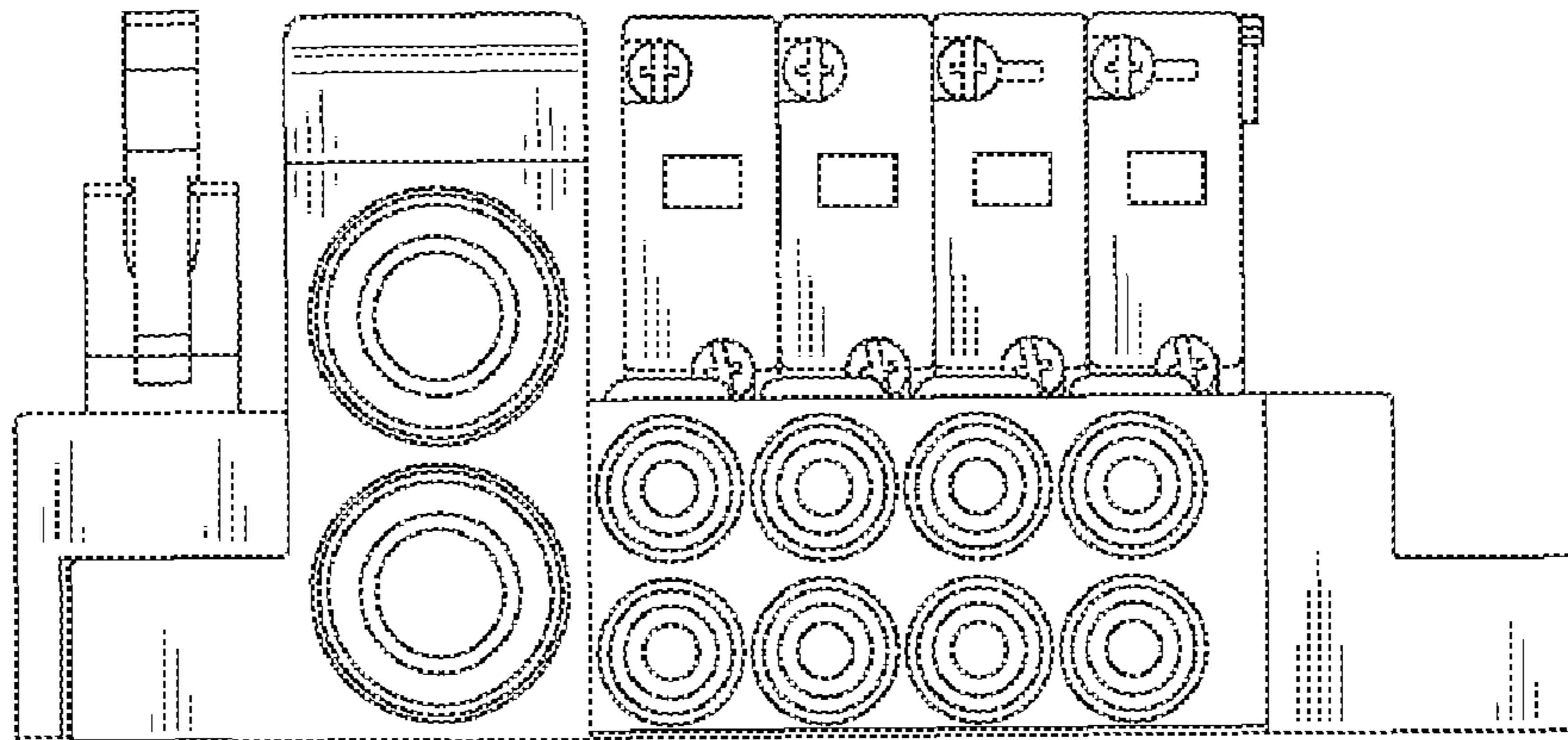


FIG. 2

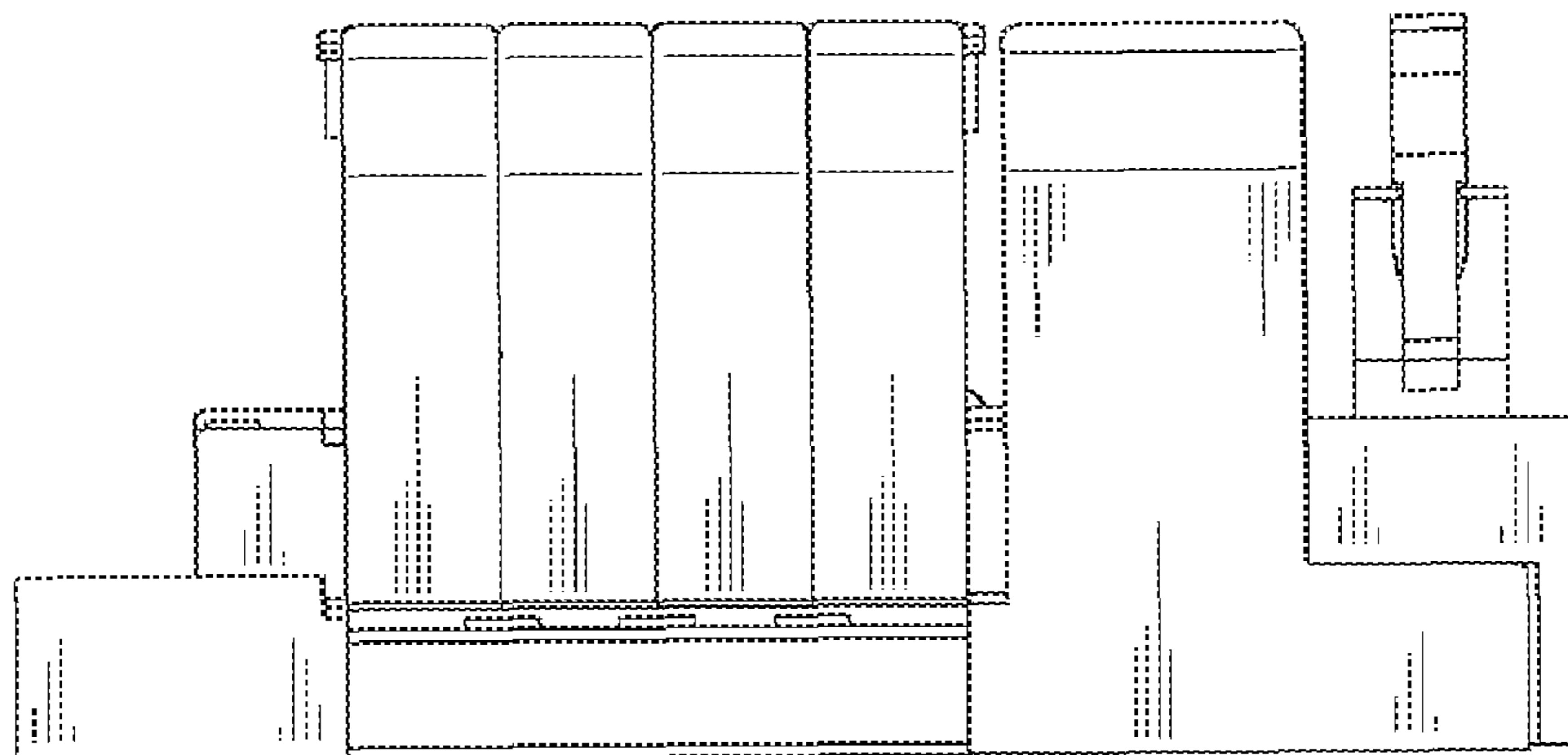


FIG. 3

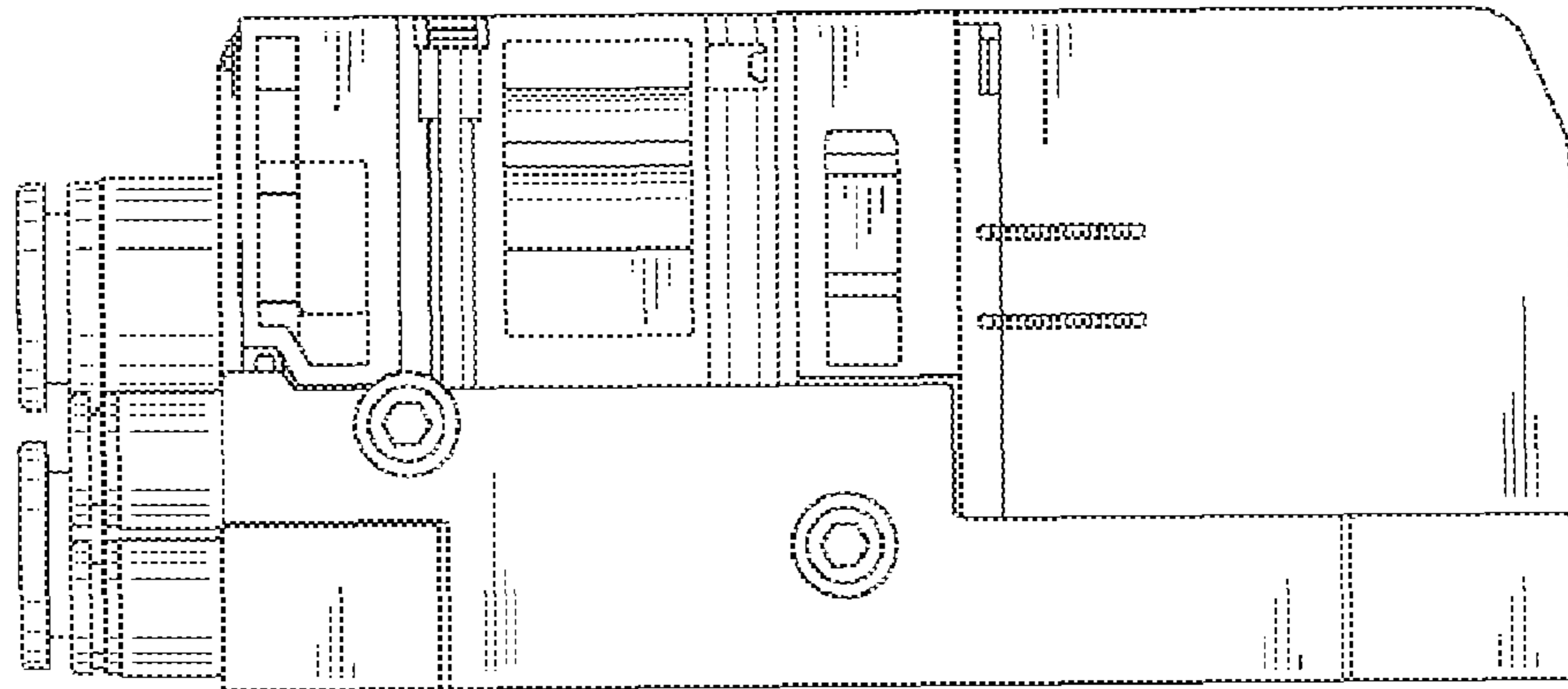


FIG. 4

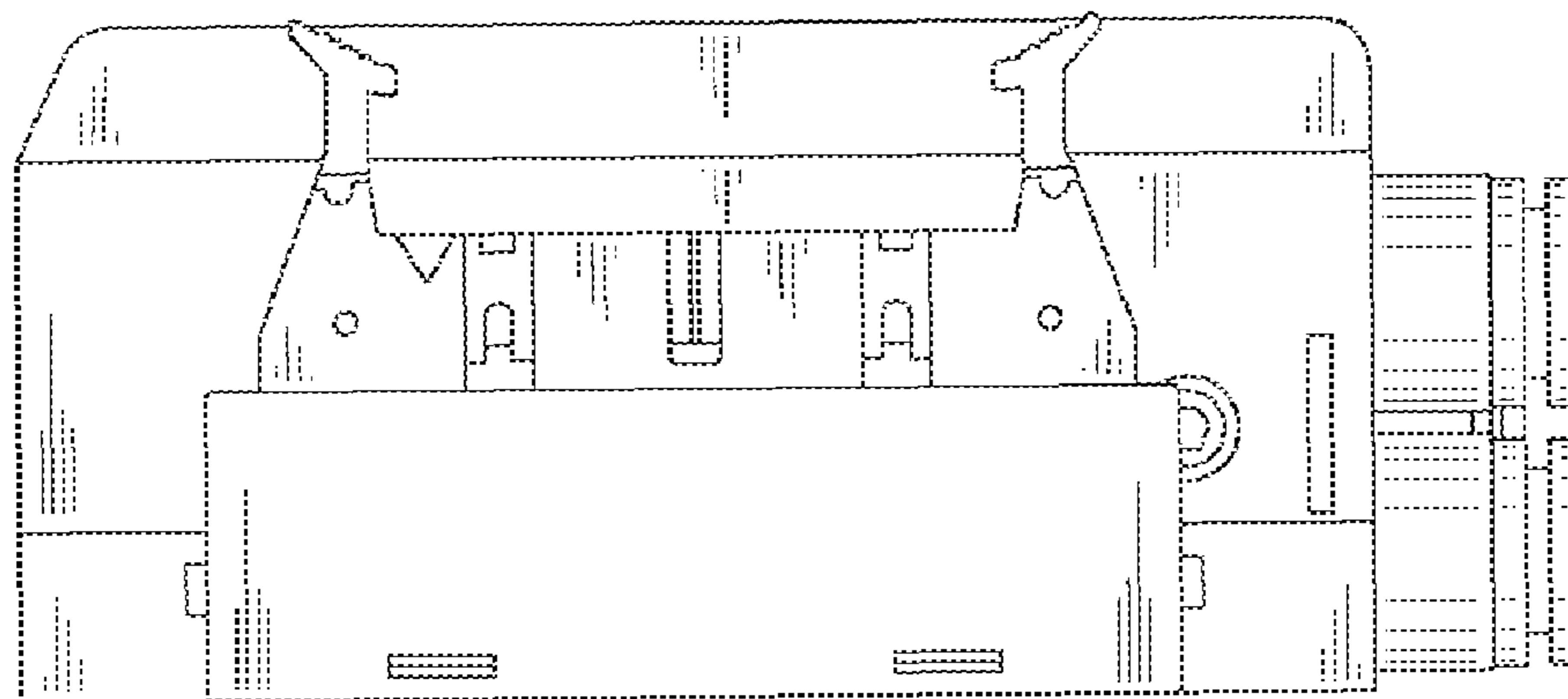


FIG. 5

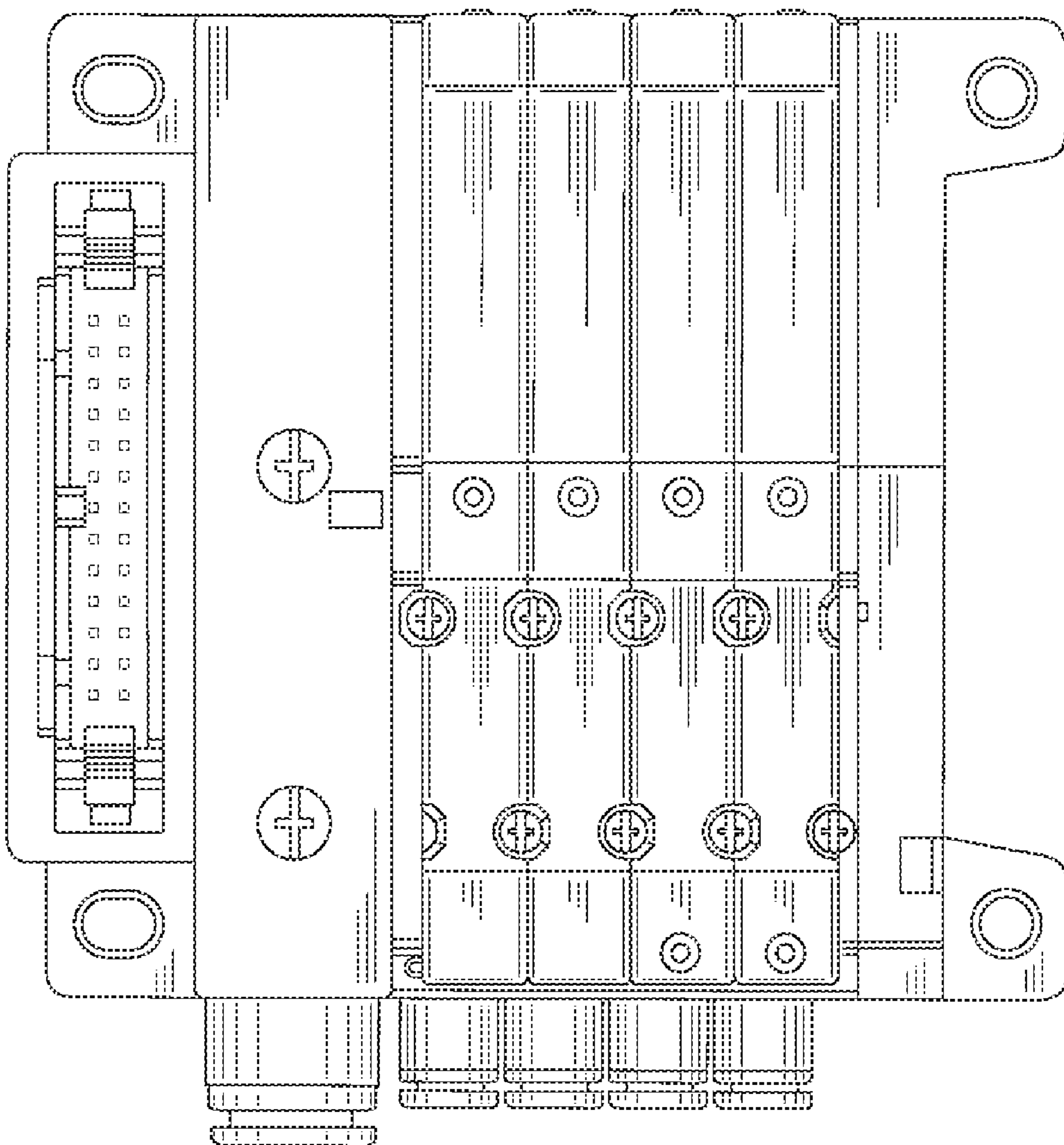


FIG. 6

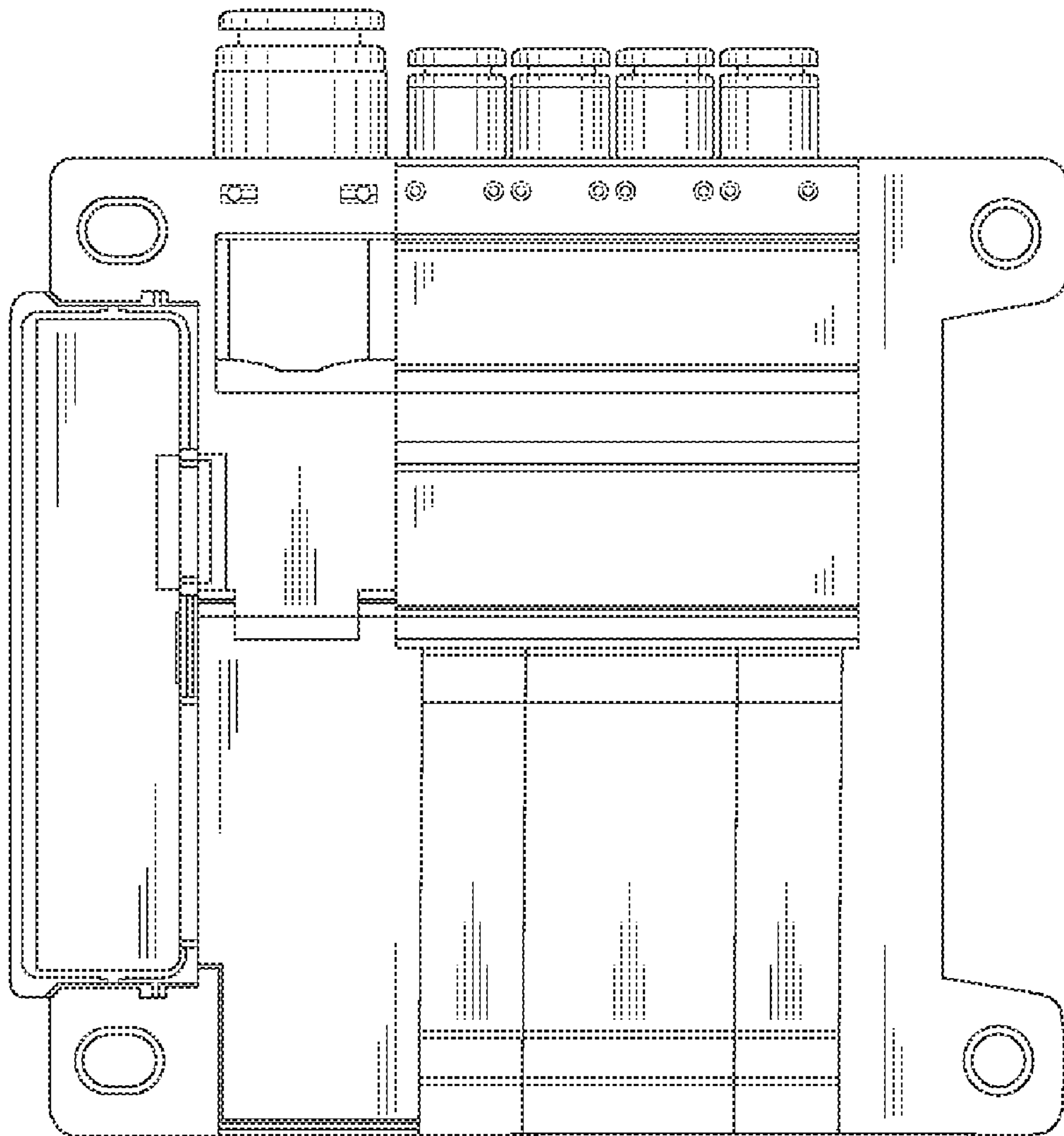


FIG. 7

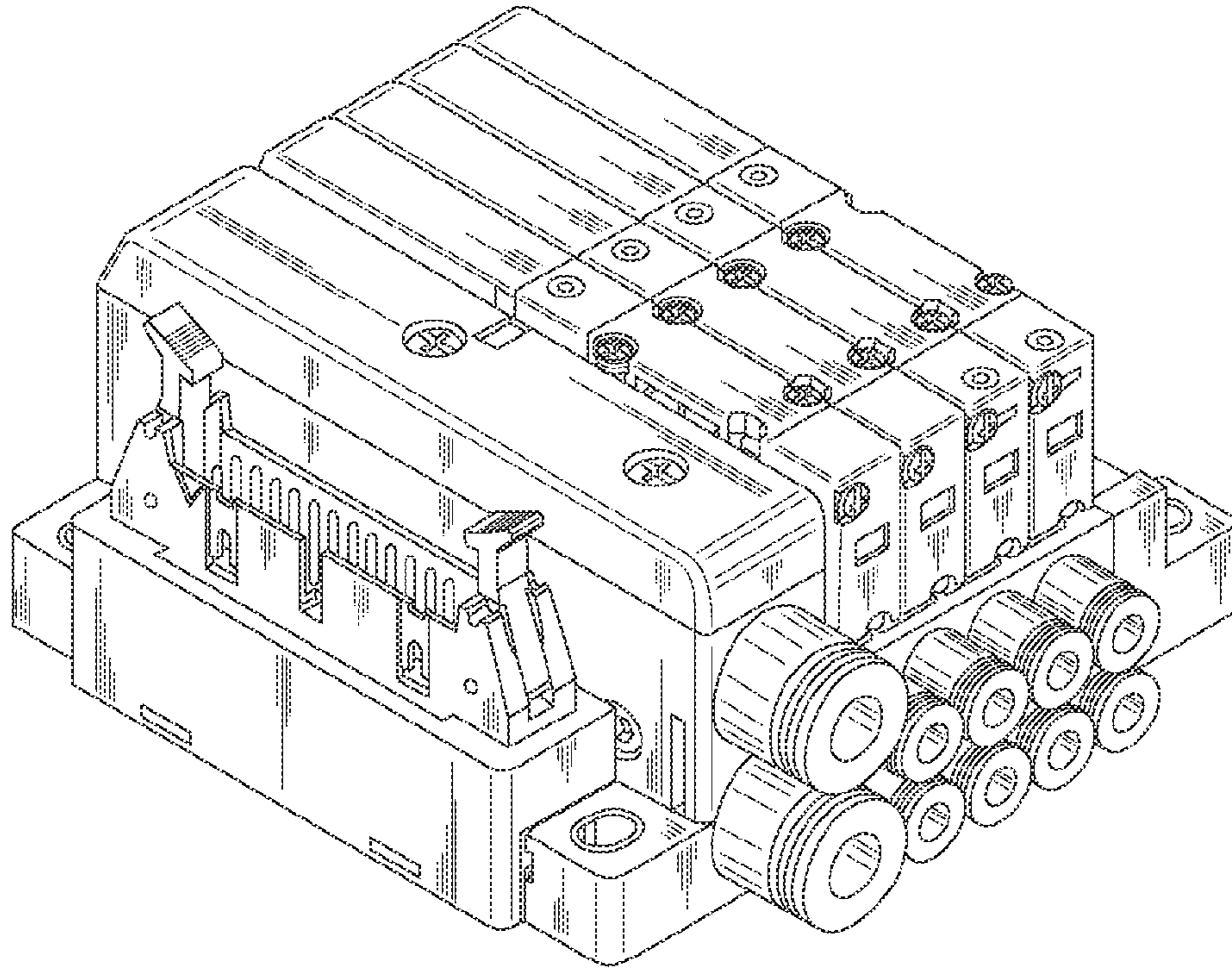


FIG. 8

