



US00D599888S

(12) **United States Design Patent**
Matsumoto

(10) **Patent No.:** **US D599,888 S**

(45) **Date of Patent:** **** Sep. 8, 2009**

(54) **ELECTROMAGNETIC VALVE**

(75) Inventor: **Takumi Matsumoto**, Tsukubamirai (JP)

(73) Assignee: **SMC Corporation**, Chiyoda-ku, Tokyo (JP)

(**) Term: **14 Years**

(21) Appl. No.: **29/312,304**

(22) Filed: **Oct. 14, 2008**

(30) **Foreign Application Priority Data**

Apr. 18, 2008 (JP) 2008-010116

(51) **LOC (9) Cl.** **23-01**

(52) **U.S. Cl.** **D23/233**

(58) **Field of Classification Search** D23/233-237,
D23/244-249; D15/5, 7, 199; 137/554,
137/557, 560, 882, 884, 343, 625.64, 269,
137/271; 251/12, 130, 129.04, 219, 331;
4/305

See application file for complete search history.

(56) **References Cited**

U.S. PATENT DOCUMENTS

- D524,910 S * 7/2006 Matsumoto et al. D23/233
- D533,255 S * 12/2006 Miyazoe et al. D23/233
- D544,577 S * 6/2007 Matsumoto et al. D23/233
- D544,578 S * 6/2007 Matsumoto et al. D23/233

- D546,420 S * 7/2007 Matsumoto et al. D23/233
- 7,246,863 B2 * 7/2007 Otsuka 303/119.3
- 7,273,206 B2 * 9/2007 Sato et al. 251/129.15
- D564,628 S * 3/2008 Miyazoe et al. D23/233

* cited by examiner

Primary Examiner—Cathron C. Brooks

Assistant Examiner—Maurice Stevens

(74) *Attorney, Agent, or Firm*—Yokoi & Co., U.S.A., Inc.;
Peter Ganjian

(57) **CLAIM**

The ornamental design for an electromagnetic valve, as shown and described.

DESCRIPTION

FIG. 1 shows a front view of an electromagnetic valve showing my new design;

FIG. 2 shows a rear view thereof;

FIG. 3 shows a right side view thereof;

FIG. 4 shows a left side view thereof;

FIG. 5 shows a top view thereof;

FIG. 6 shows a bottom view thereof;

FIG. 7 shows a top, rear and left side perspective view thereof; and,

FIG. 8 shows a bottom, front and right side perspective view thereof.

1 Claim, 8 Drawing Sheets

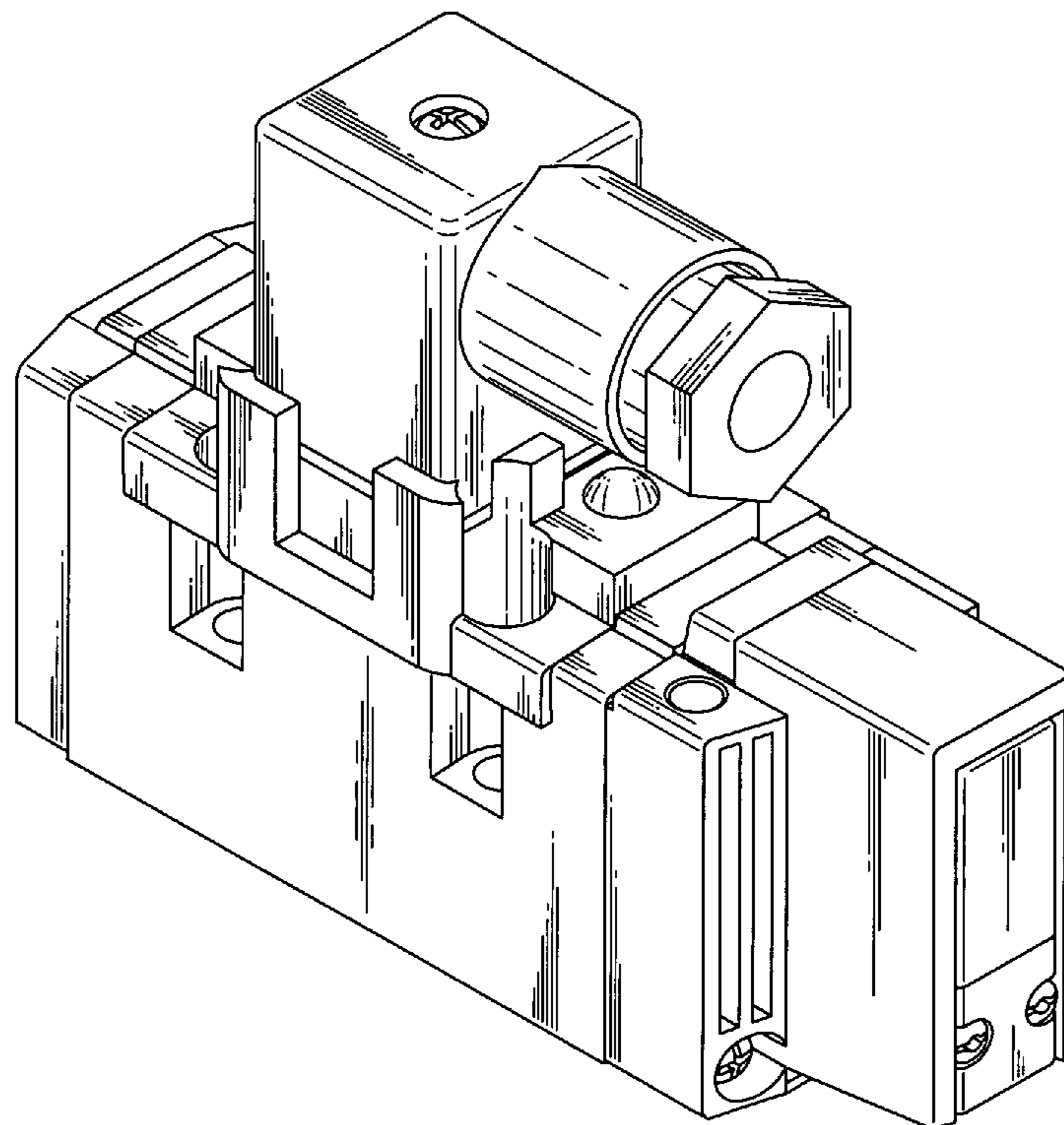


FIG. 1

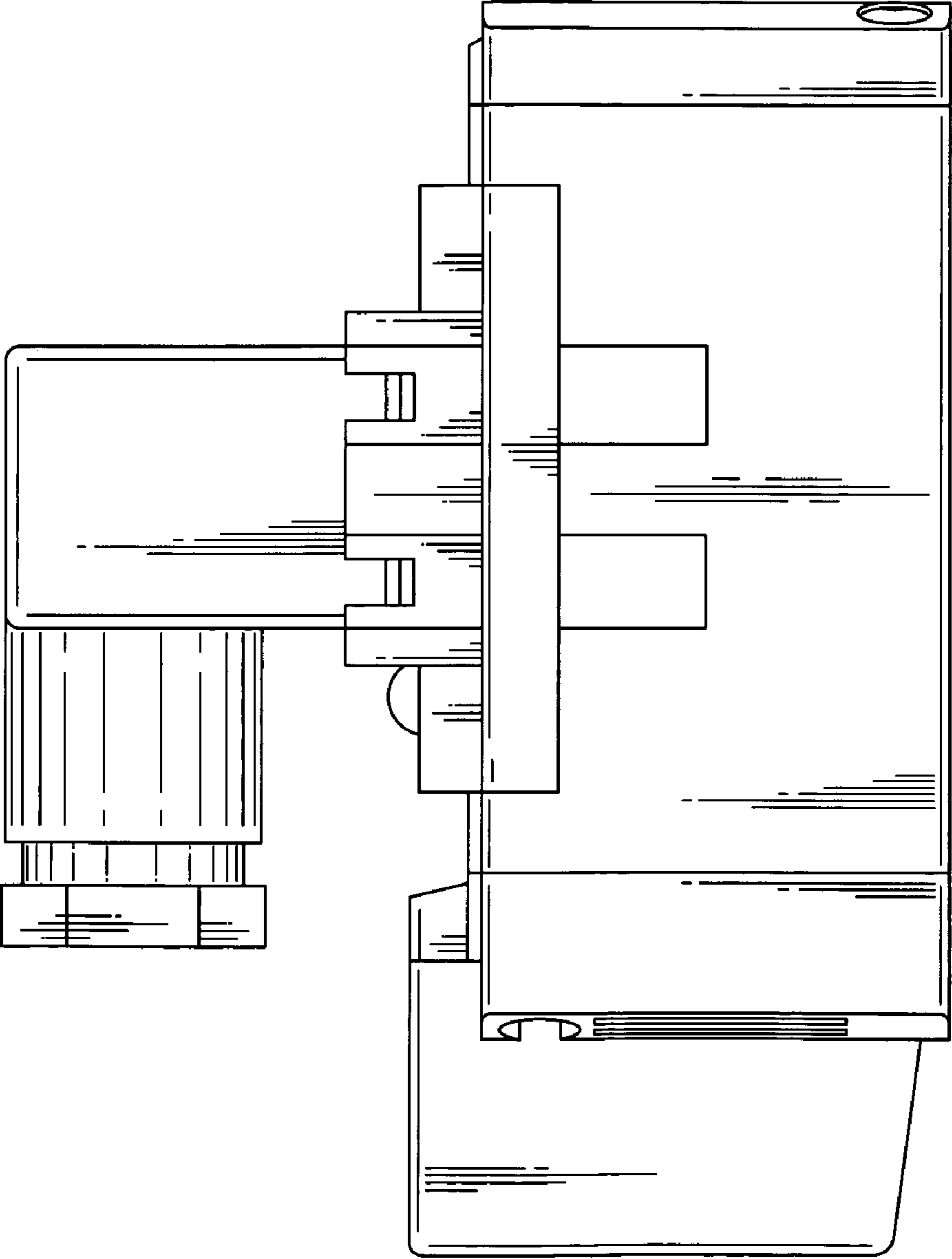


FIG. 2

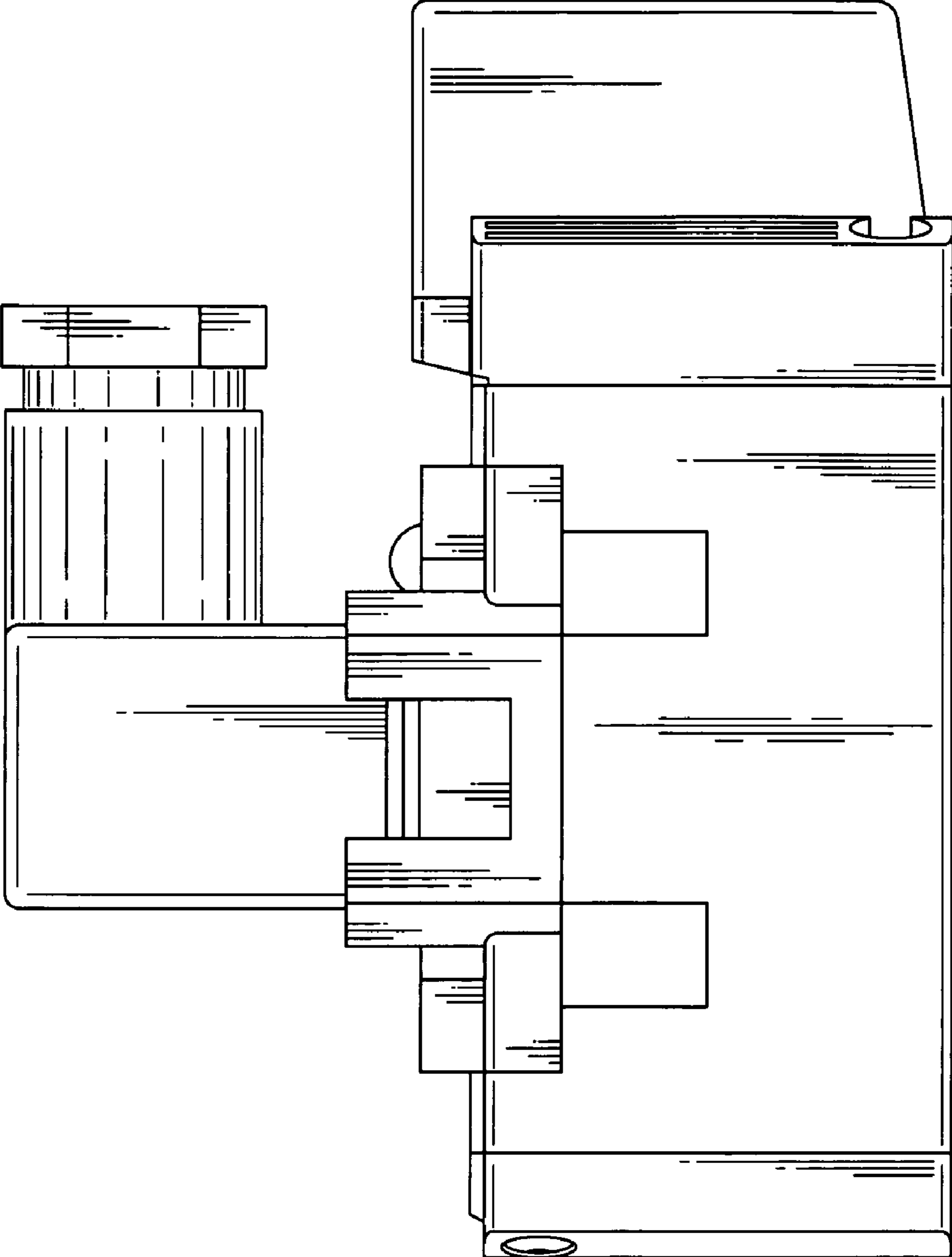


FIG. 3

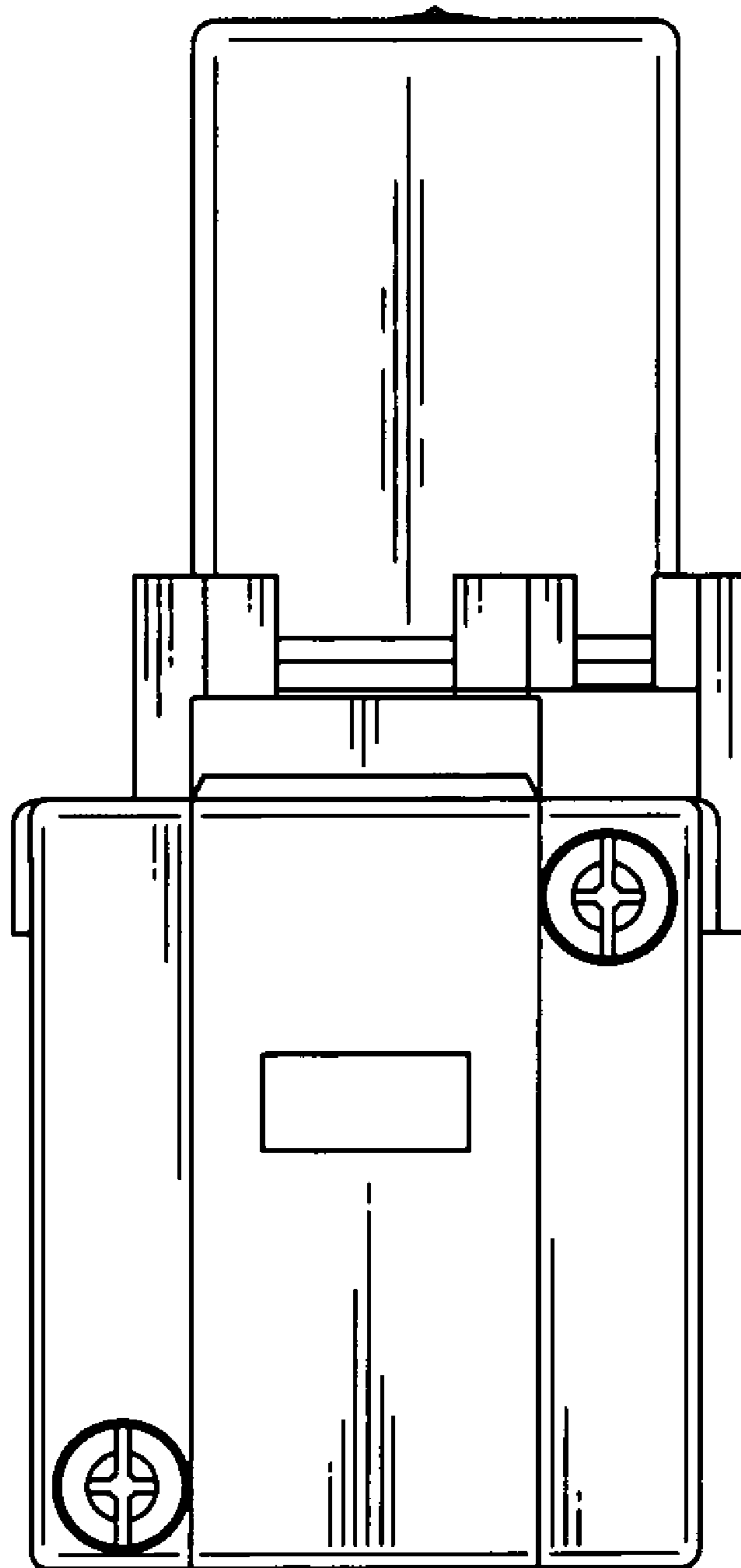


FIG. 4

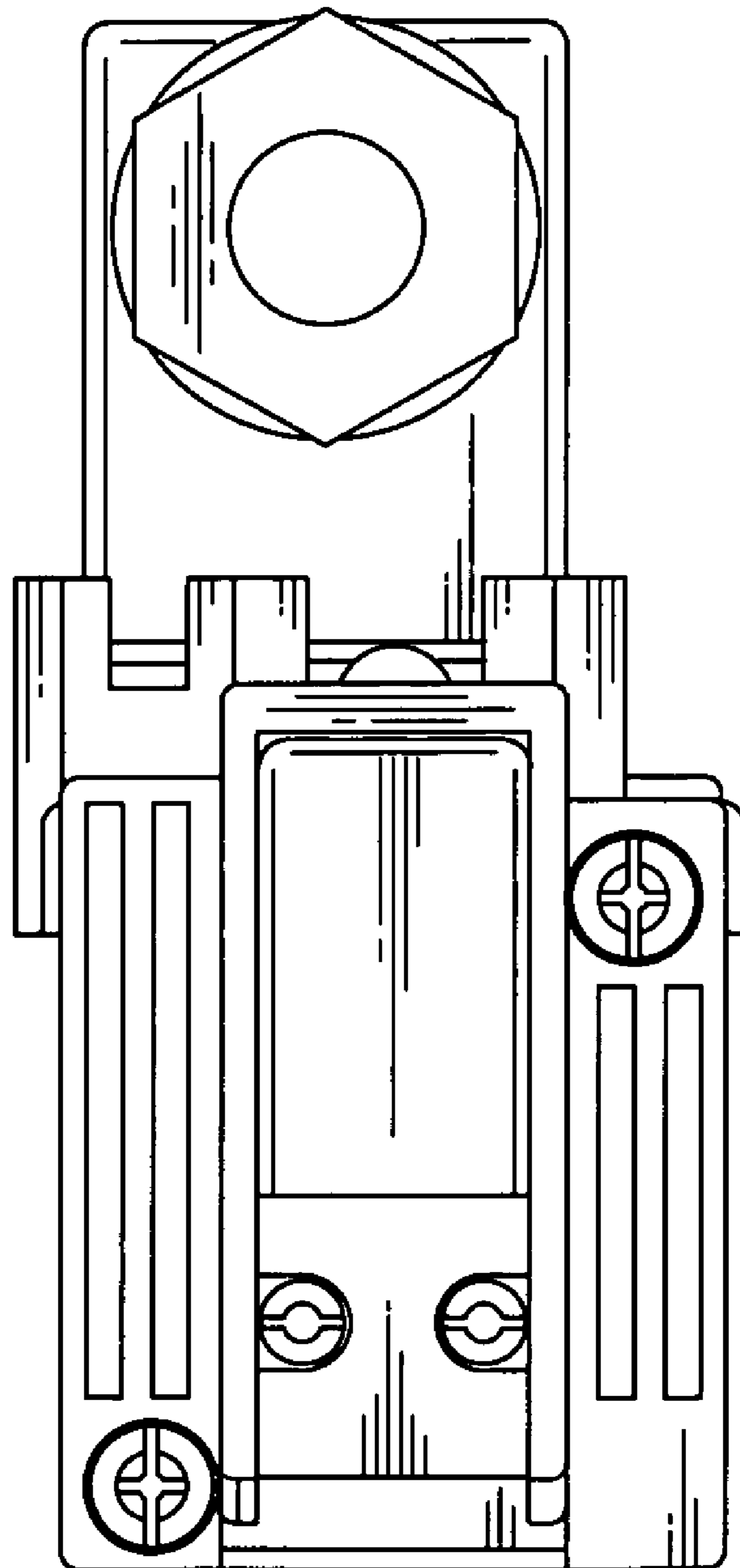


FIG. 5

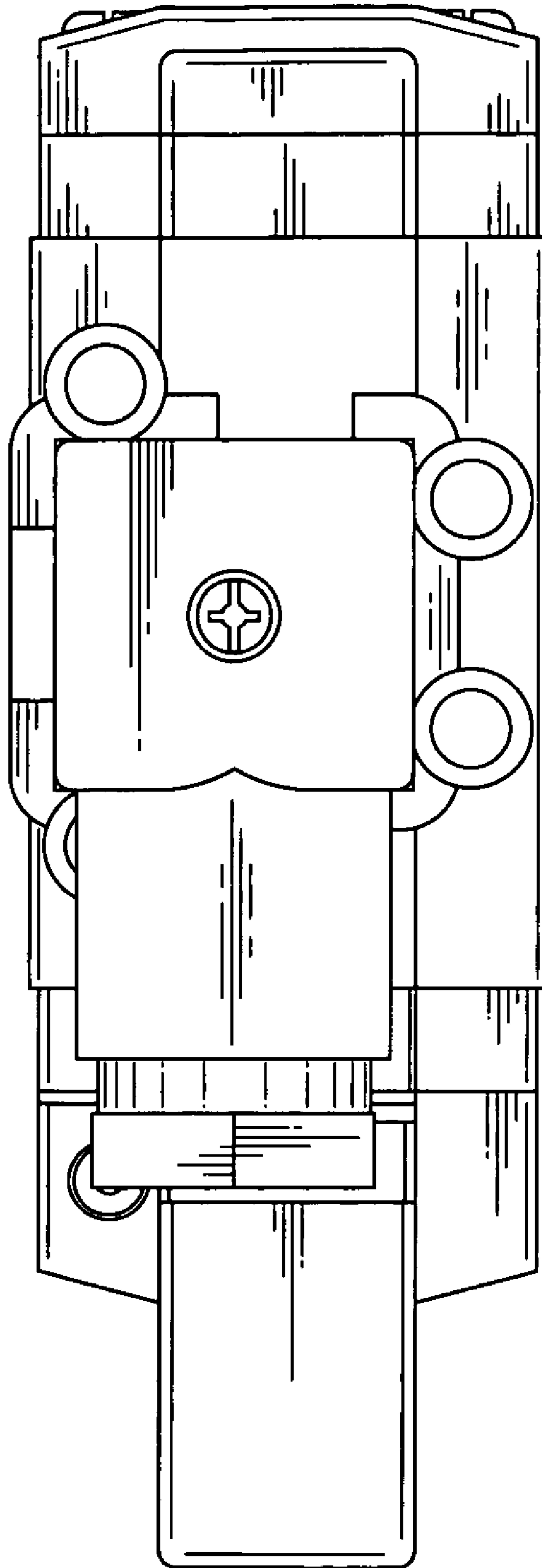


FIG. 6

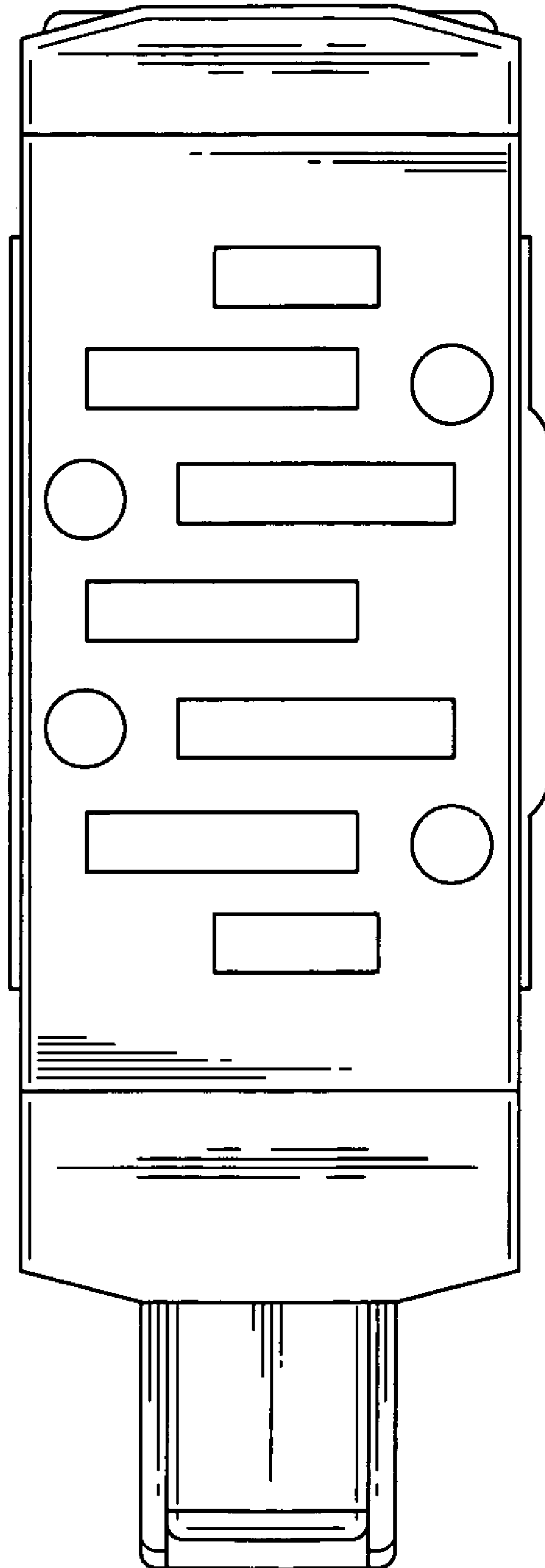


FIG. 7

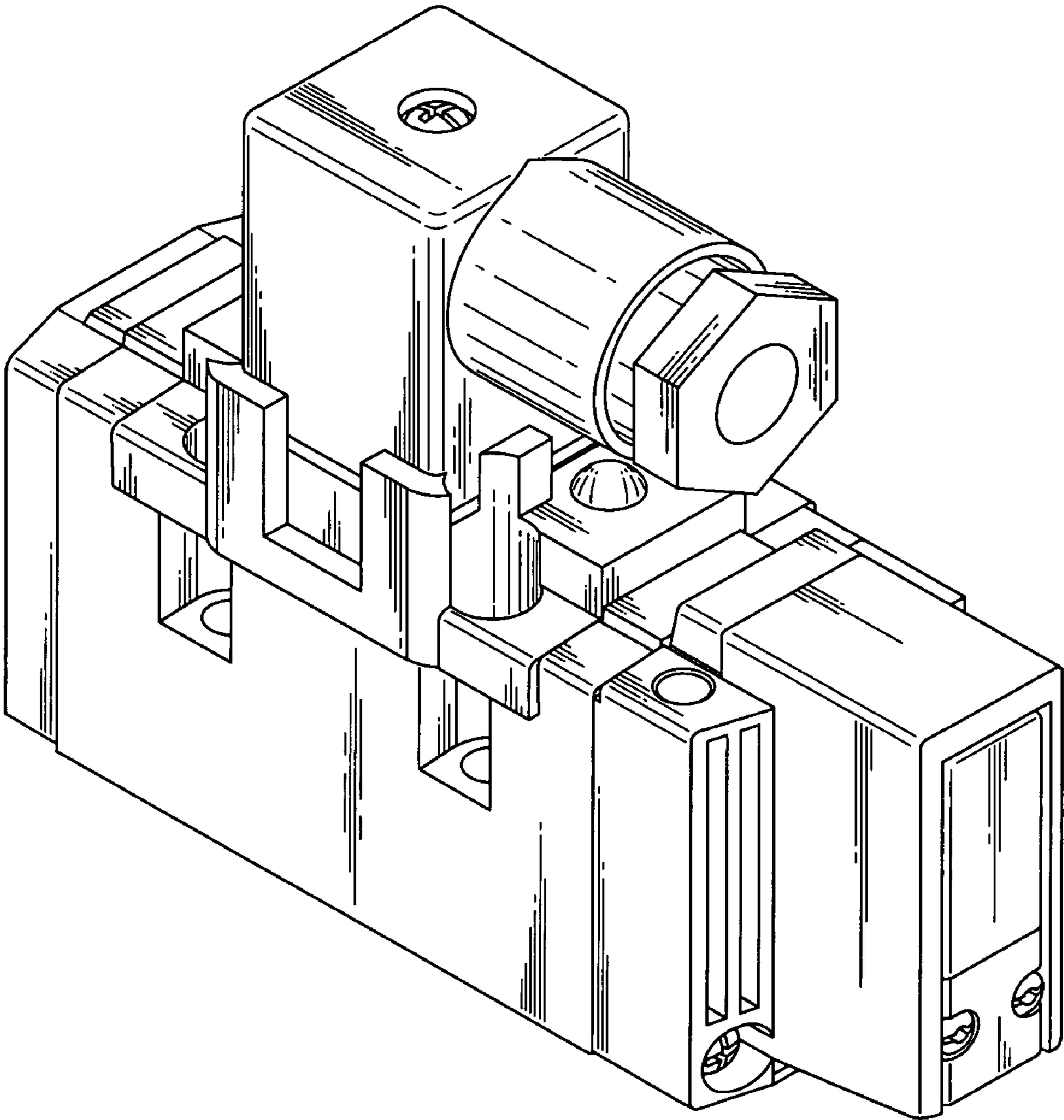


FIG. 8

