



US00D599887S

(12) **United States Design Patent**  
**Matsumoto**

(10) **Patent No.:** **US D599,887 S**  
(45) **Date of Patent:** **\*\* Sep. 8, 2009**

(54) **ELECTROMAGNETIC VALVE**  
(75) Inventor: **Takumi Matsumoto**, Tsukubamirai (JP)  
(73) Assignee: **SMC Corporation**, Chiyoda-ku, Tokyo (JP)  
(\*\*) Term: **14 Years**  
(21) Appl. No.: **29/312,296**  
(22) Filed: **Oct. 14, 2008**

D546,420 S \* 7/2007 Matsumoto et al. .... D23/233  
7,246,863 B2 \* 7/2007 Otsuka ..... 303/119.3  
7,273,206 B2 \* 9/2007 Sato et al. .... 251/129.15  
D564,628 S \* 3/2008 Miyazoe et al. .... D23/233

\* cited by examiner

*Primary Examiner*—Cathron C. Brooks  
*Assistant Examiner*—Maurice Stevens  
(74) *Attorney, Agent, or Firm*—Yokoi & Co., U.S.A., Inc.;  
Peter Ganjian

(30) **Foreign Application Priority Data**  
Apr. 18, 2008 (JP) ..... 2008-010117

(57) **CLAIM**

The ornamental design for an electromagnetic valve, as shown and described.

(51) **LOC (9) Cl.** ..... **23-01**  
(52) **U.S. Cl.** ..... **D23/233**  
(58) **Field of Classification Search** ..... D23/233–237,  
D23/244–249; D15/5, 7, 199; 137/554,  
137/557, 560, 882, 884, 343, 625.64, 269,  
137/271; 251/12, 130, 129.04, 219, 331;  
4/305

**DESCRIPTION**

FIG. 1 shows a front view of an electromagnetic valve showing my new design;  
FIG. 2 shows a rear view thereof;  
FIG. 3 shows a right side view thereof;  
FIG. 4 shows a left side view thereof;  
FIG. 5 shows a top view thereof;  
FIG. 6 shows a bottom view thereof;  
FIG. 7 shows a top, rear and left side perspective view thereof;  
and,  
FIG. 8 shows a bottom, front and right side perspective view thereof.

See application file for complete search history.

(56) **References Cited**  
U.S. PATENT DOCUMENTS

D524,910 S \* 7/2006 Matsumoto et al. .... D23/233  
D533,255 S \* 12/2006 Miyazoe et al. .... D23/233  
D544,577 S \* 6/2007 Matsumoto et al. .... D23/233  
D544,578 S \* 6/2007 Matsumoto et al. .... D23/233

**1 Claim, 8 Drawing Sheets**

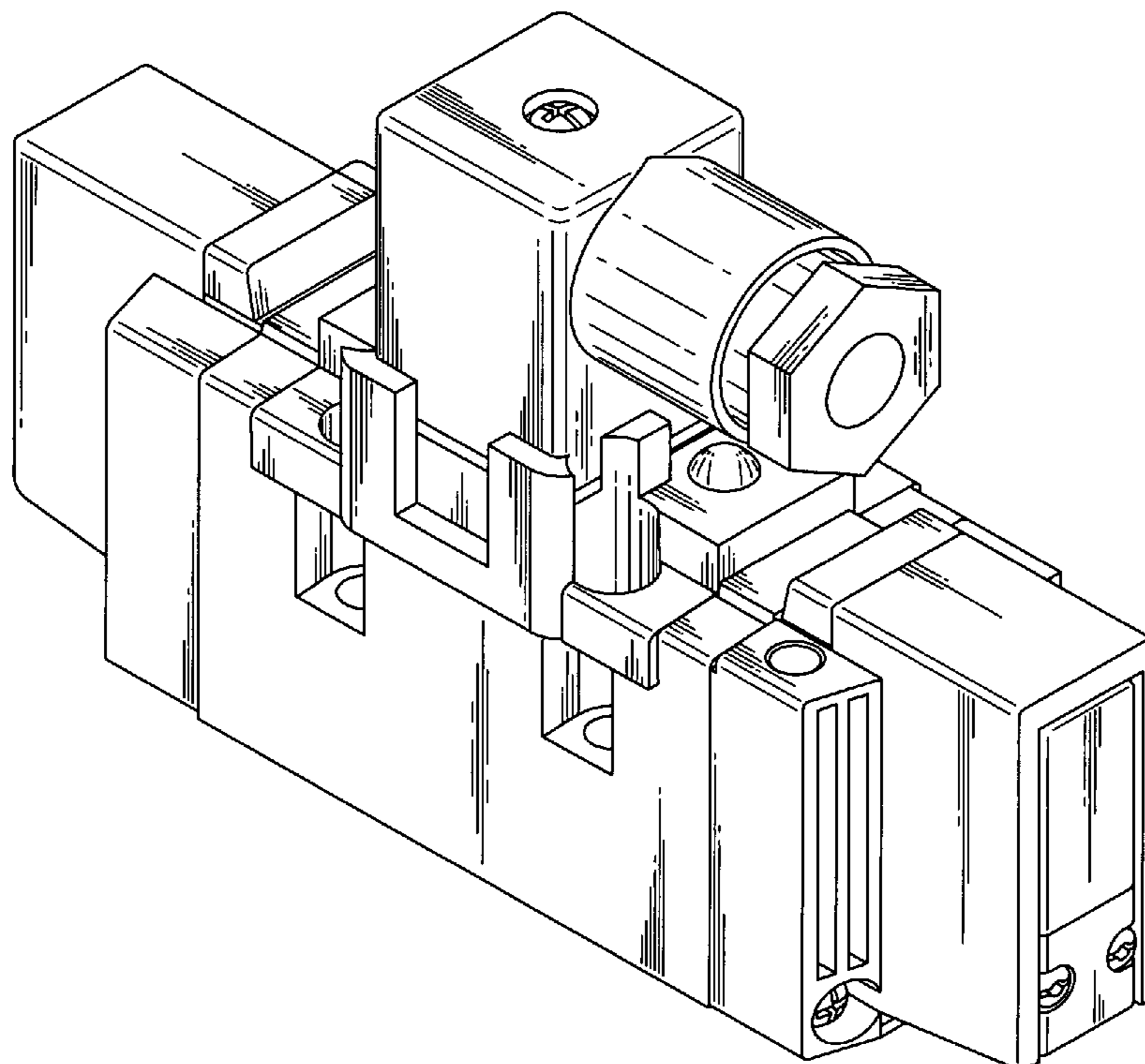


FIG. 1

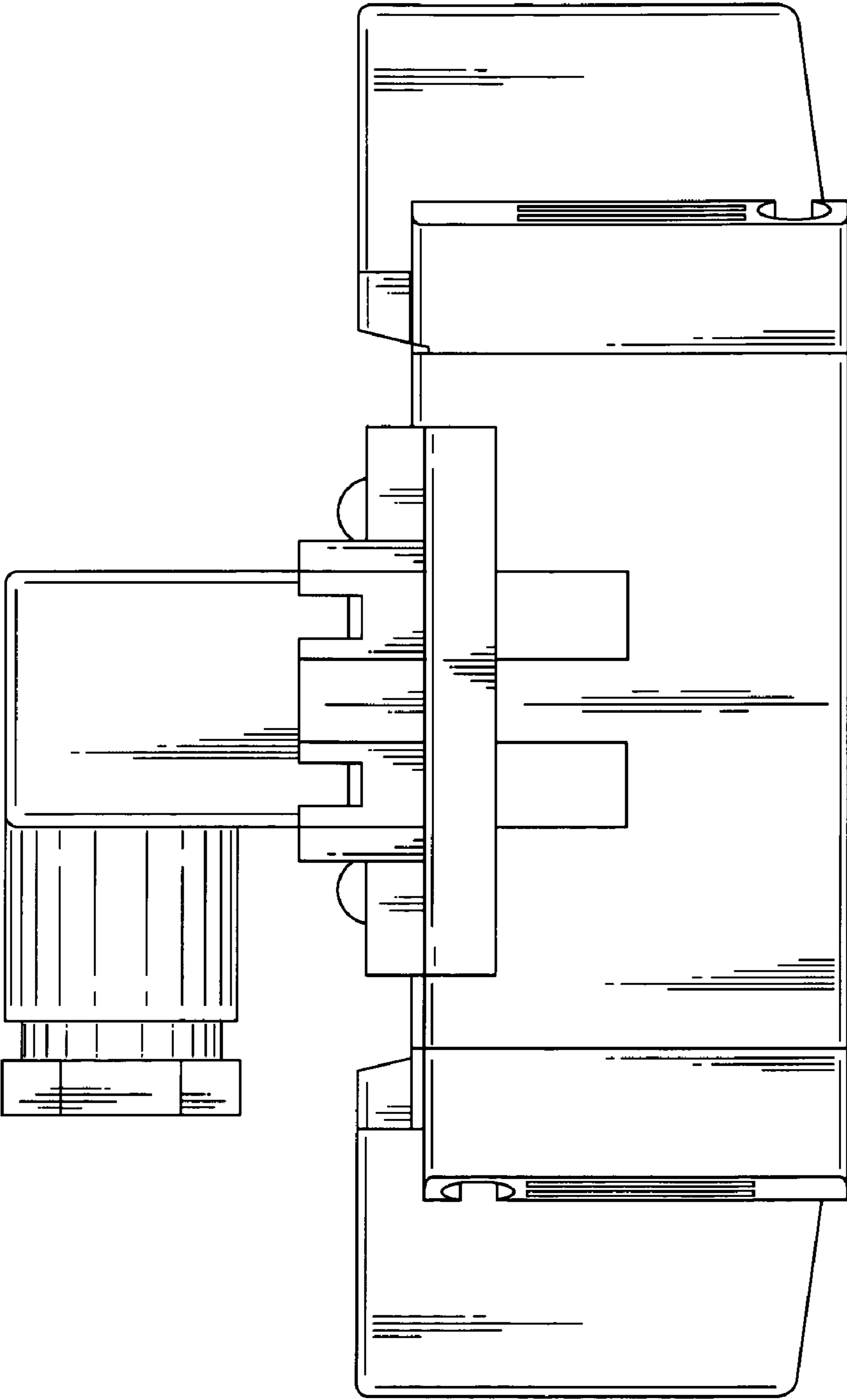
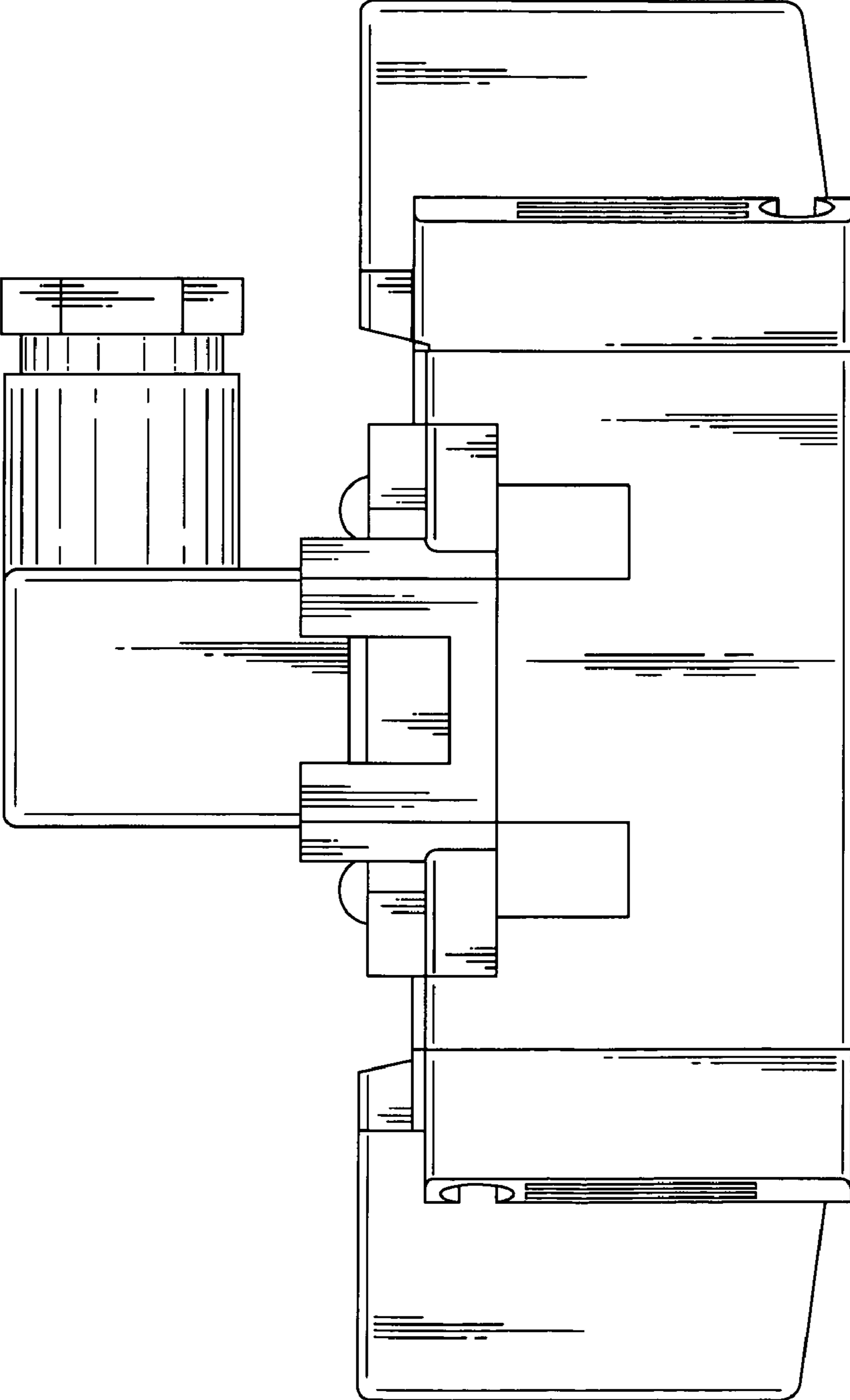
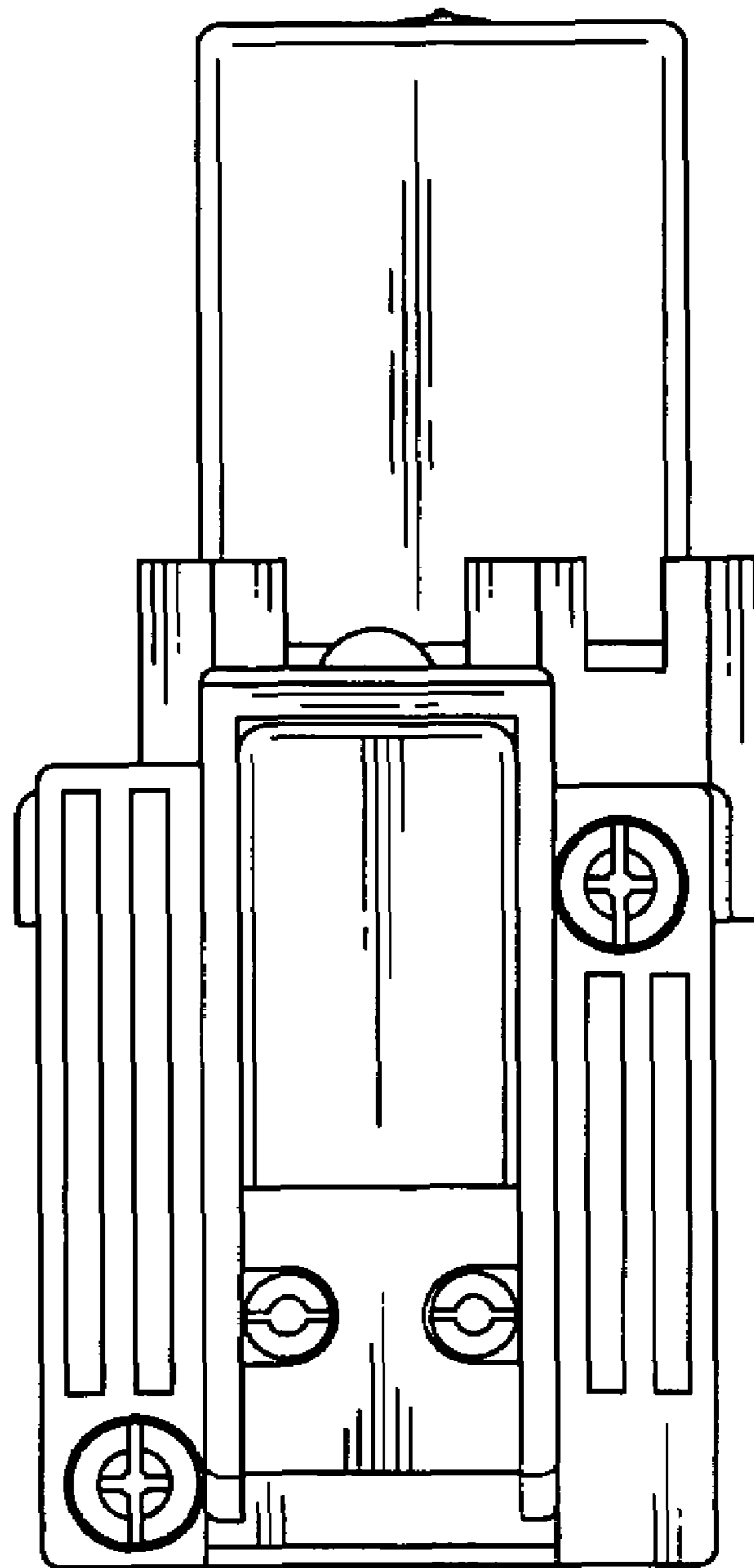


FIG. 2



# FIG. 3



# FIG. 4

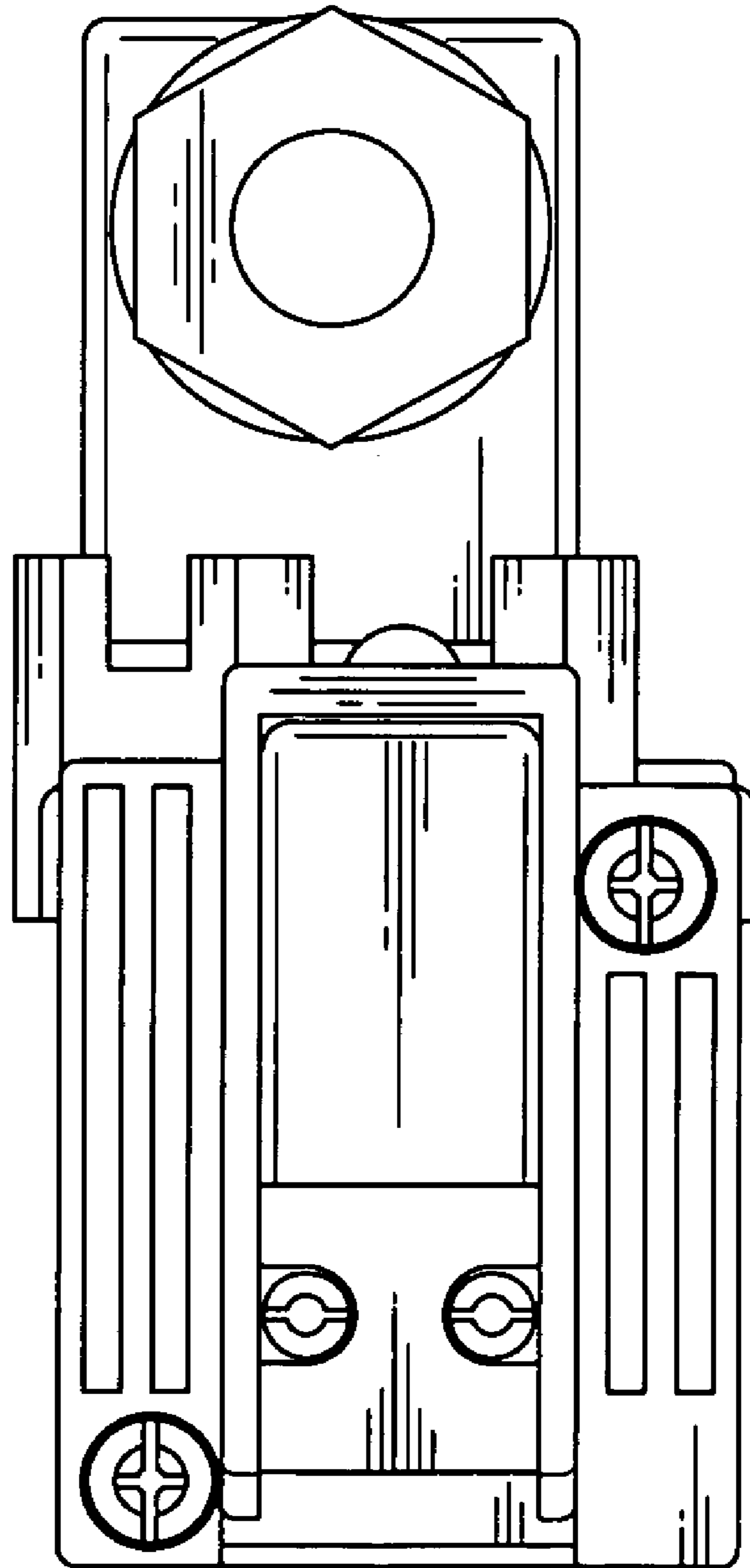


FIG. 5

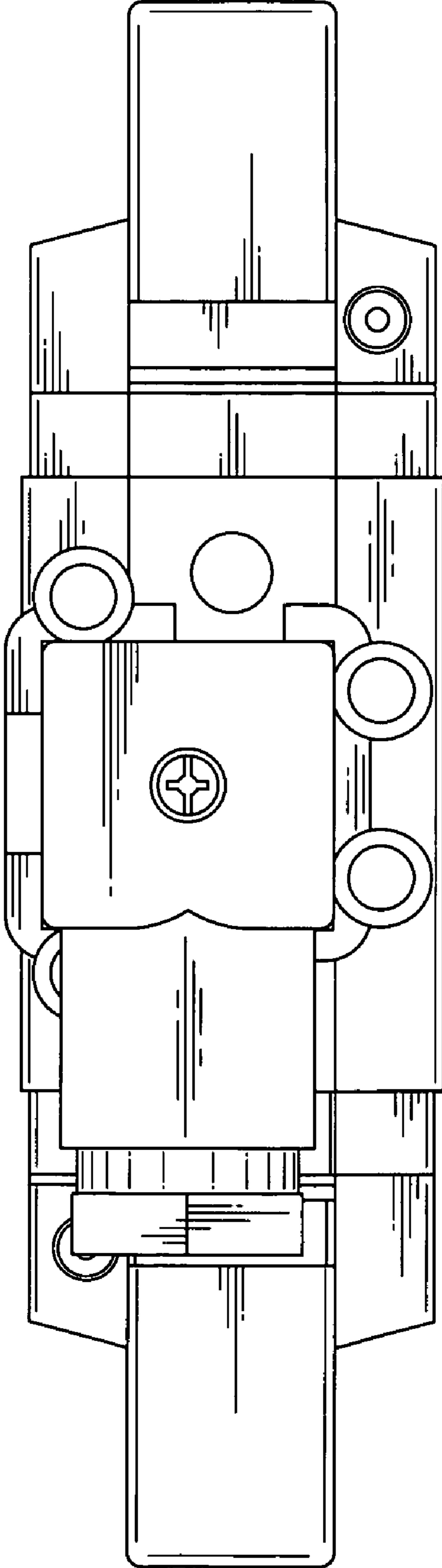


FIG. 6

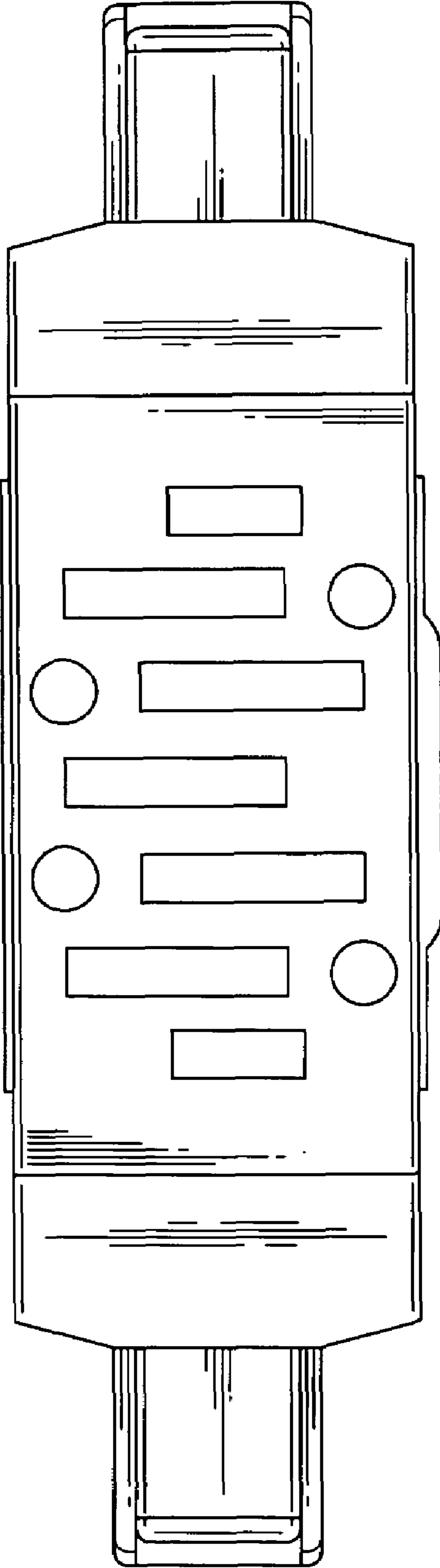


FIG. 7

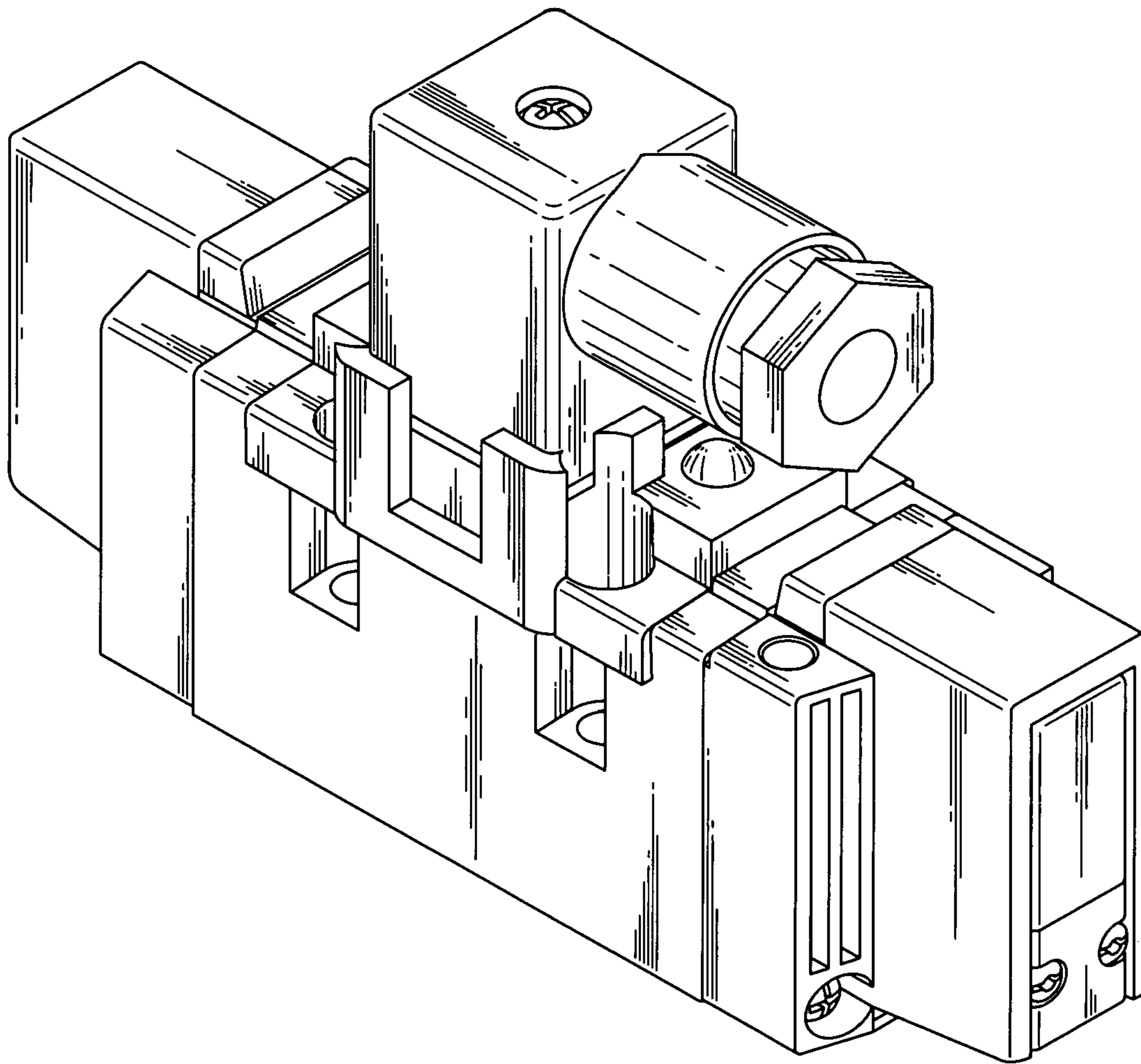




FIG. 8

