



US00D599882S

(12) **United States Design Patent**
Cheng

(10) **Patent No.:** **US D599,882 S**

(45) **Date of Patent:** **** Sep. 8, 2009**

(54) **SPRINKLER BASE**

(75) Inventor: **Chi Han Cheng**, Changhua Hsien (TW)

(73) Assignee: **Yuan Mei Corp.**, Changhua Hsien (TW)

(**) Term: **14 Years**

(21) Appl. No.: **29/324,097**

(22) Filed: **Sep. 5, 2008**

(51) **LOC (9) Cl.** **23-01**

(52) **U.S. Cl.** **D23/221**

(58) **Field of Classification Search** D23/214,
D23/216, 221, 222; 239/240–242, 273, 276
See application file for complete search history.

(56) **References Cited**

U.S. PATENT DOCUMENTS

2,914,255	A	*	11/1959	Jepson	239/242
D282,769	S	*	2/1986	Lemkin et al.	D23/216
D440,629	S	*	4/2001	Guo	D23/216
D470,218	S	*	2/2003	Alkalay et al.	D23/216
7,252,246	B2	*	8/2007	Heren et al.	239/242
D554,737	S	*	11/2007	Lo	D23/221

D554,739 S * 11/2007 Lo D23/221

* cited by examiner

Primary Examiner—Robin V Webster

(74) *Attorney, Agent, or Firm*—Senniger Powers LLP

(57) **CLAIM**

The ornamental design for the “sprinkler base,” as shown and described.

DESCRIPTION

FIG. 1 is a perspective view of a sprinkler base showing my new design;

FIG. 2 is a front view thereof;

FIG. 3 is a rear view thereof;

FIG. 4 is a left side view thereof;

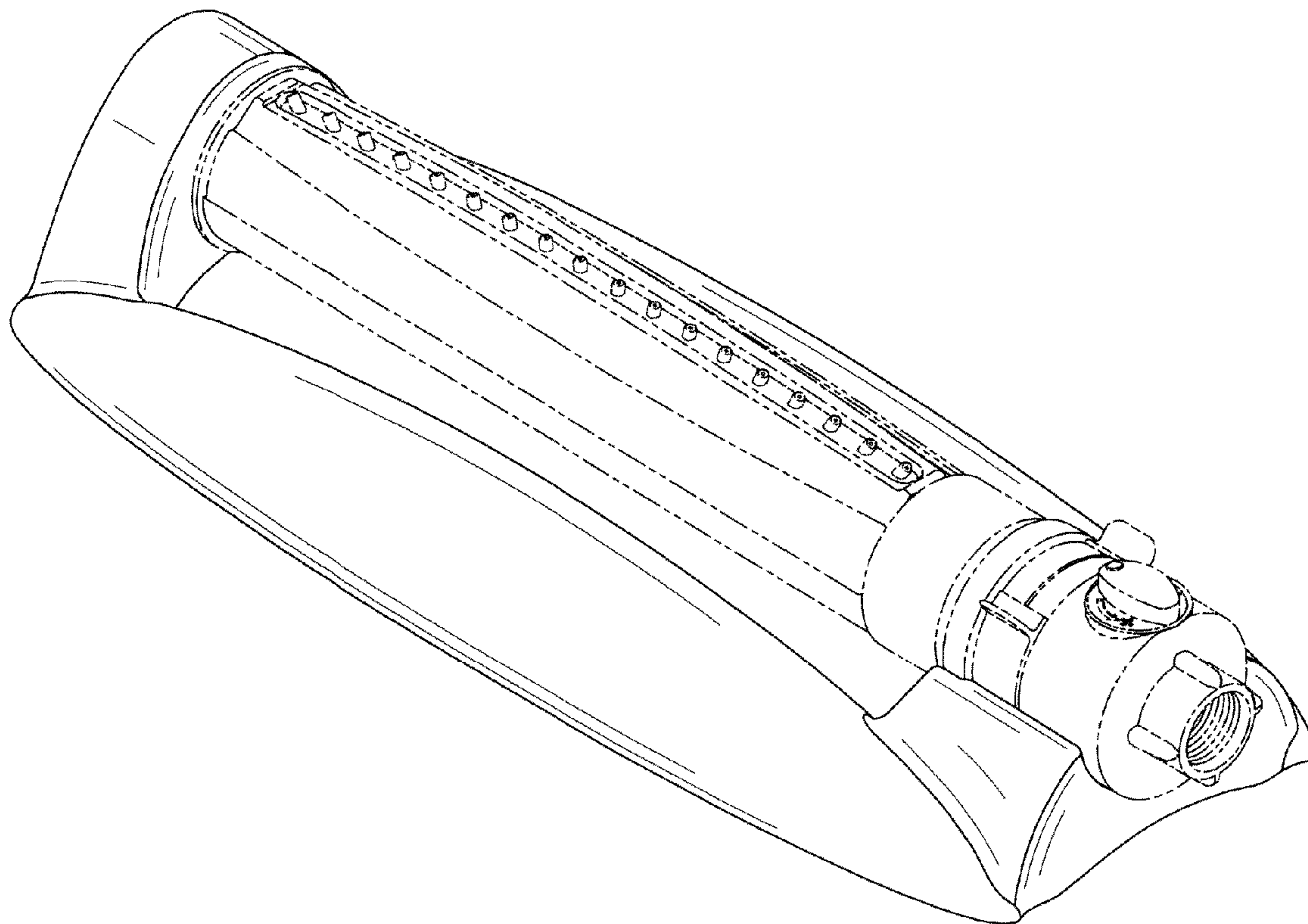
FIG. 5 is a right side view thereof;

FIG. 6 is a top view thereof; and,

FIG. 7 is a bottom view thereof.

The broken lines shown in FIGS. 1–7 are for illustrative purposes only and form no part of the claimed design.

1 Claim, 6 Drawing Sheets



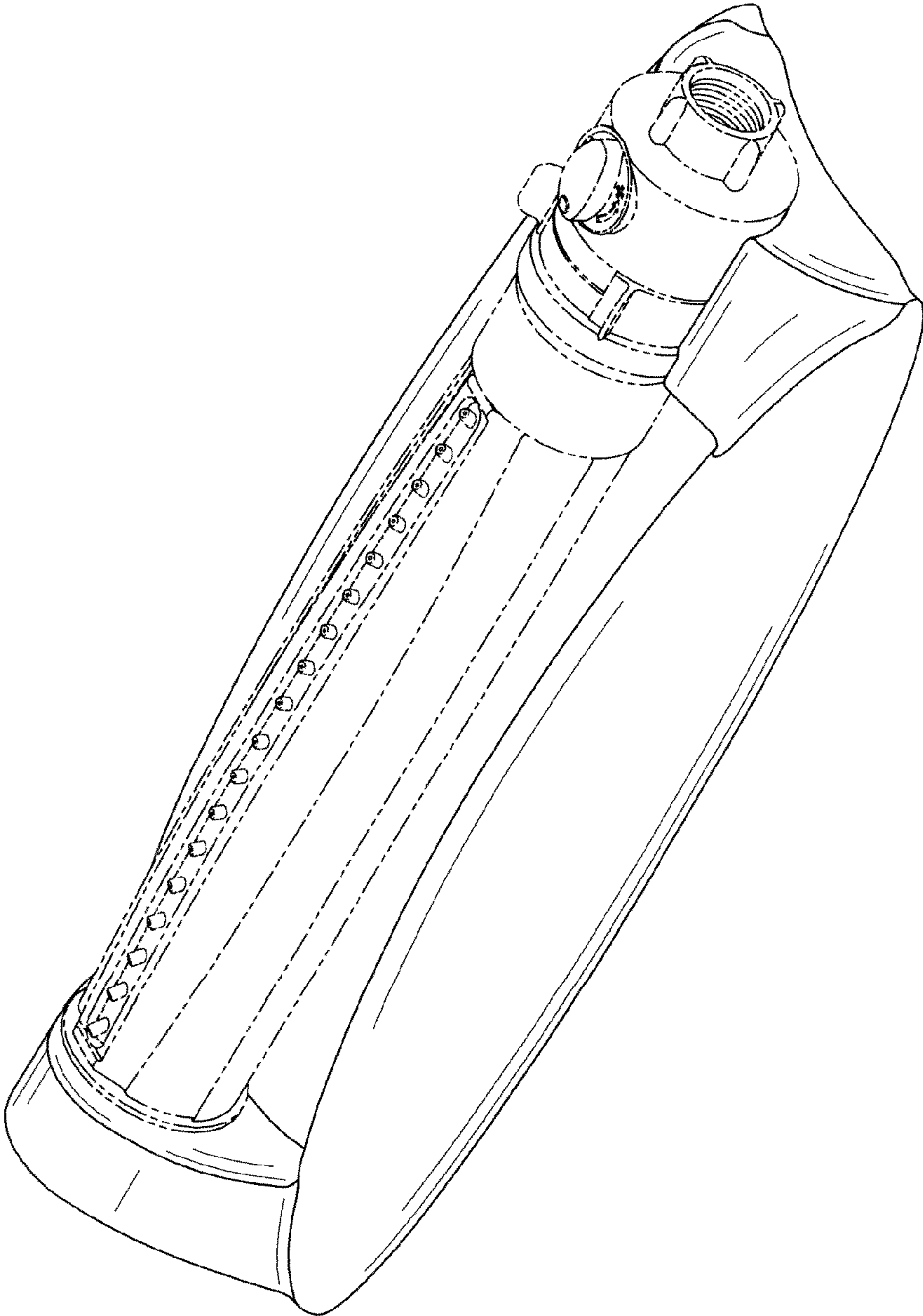


FIG. 1

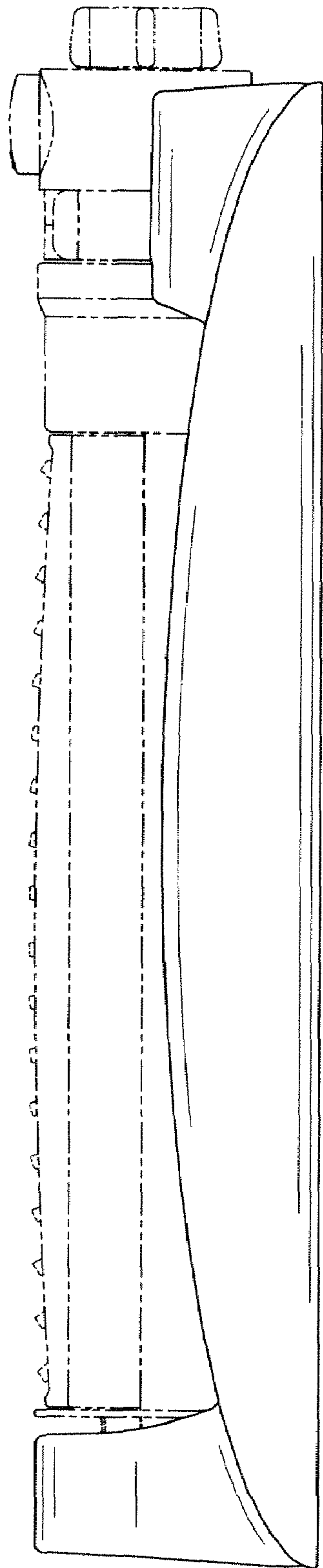


FIG. 2

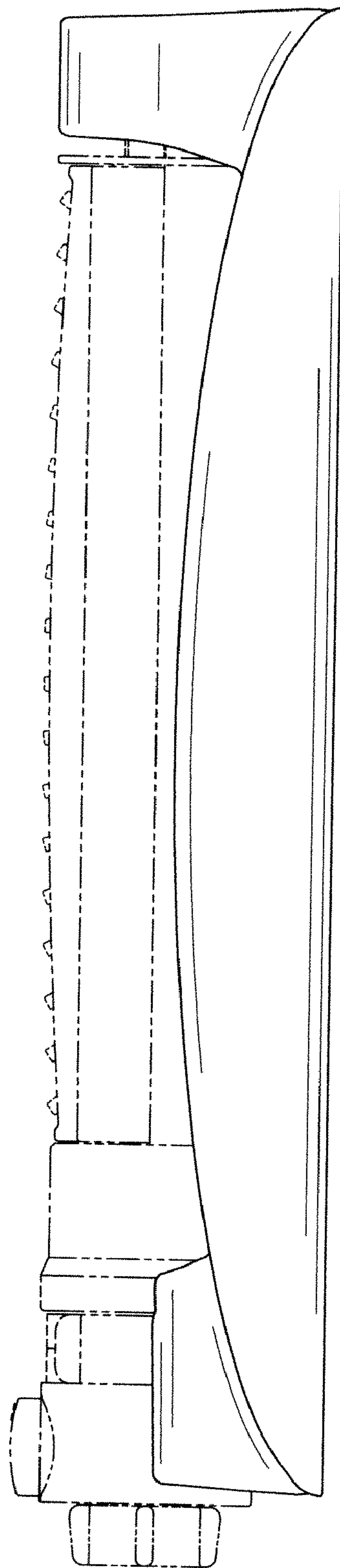


FIG. 3

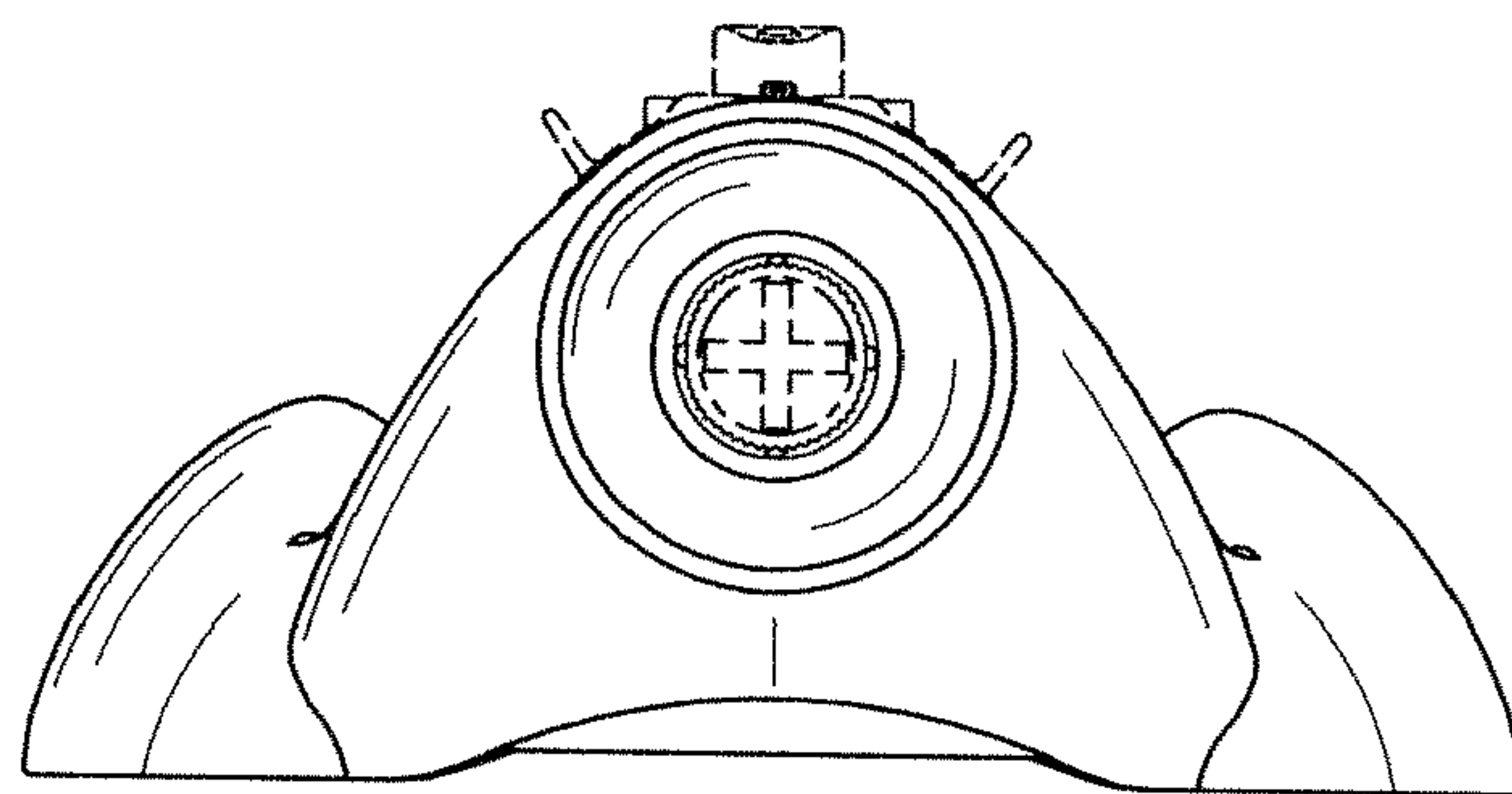


FIG. 4

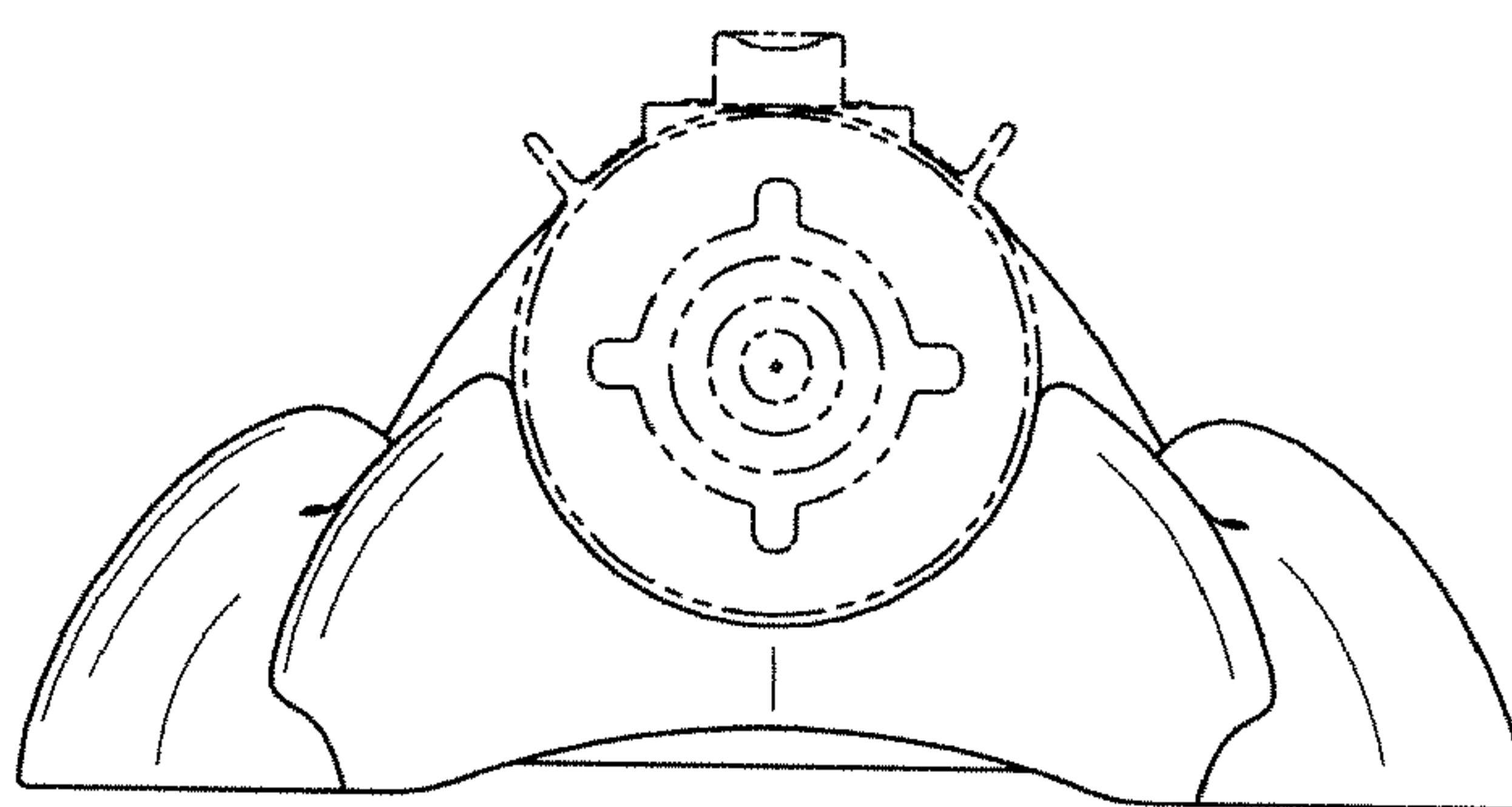


FIG. 5

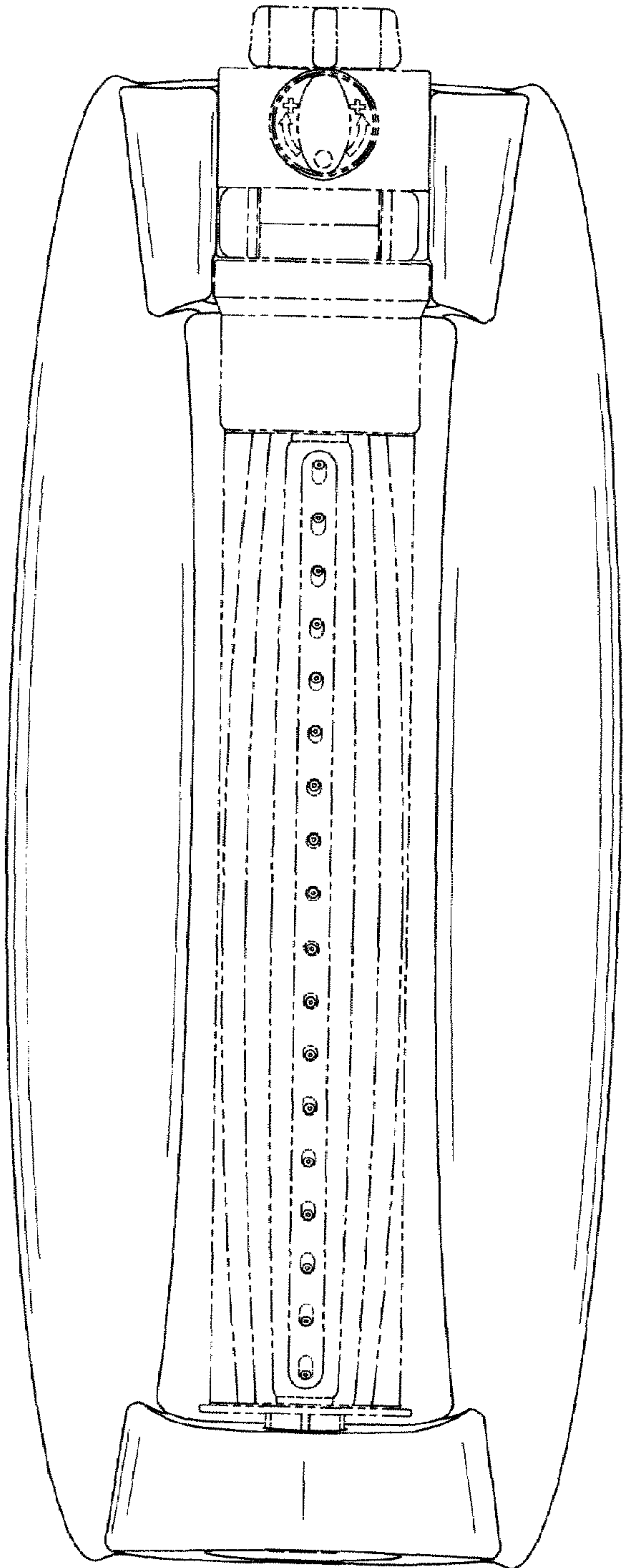


FIG. 6

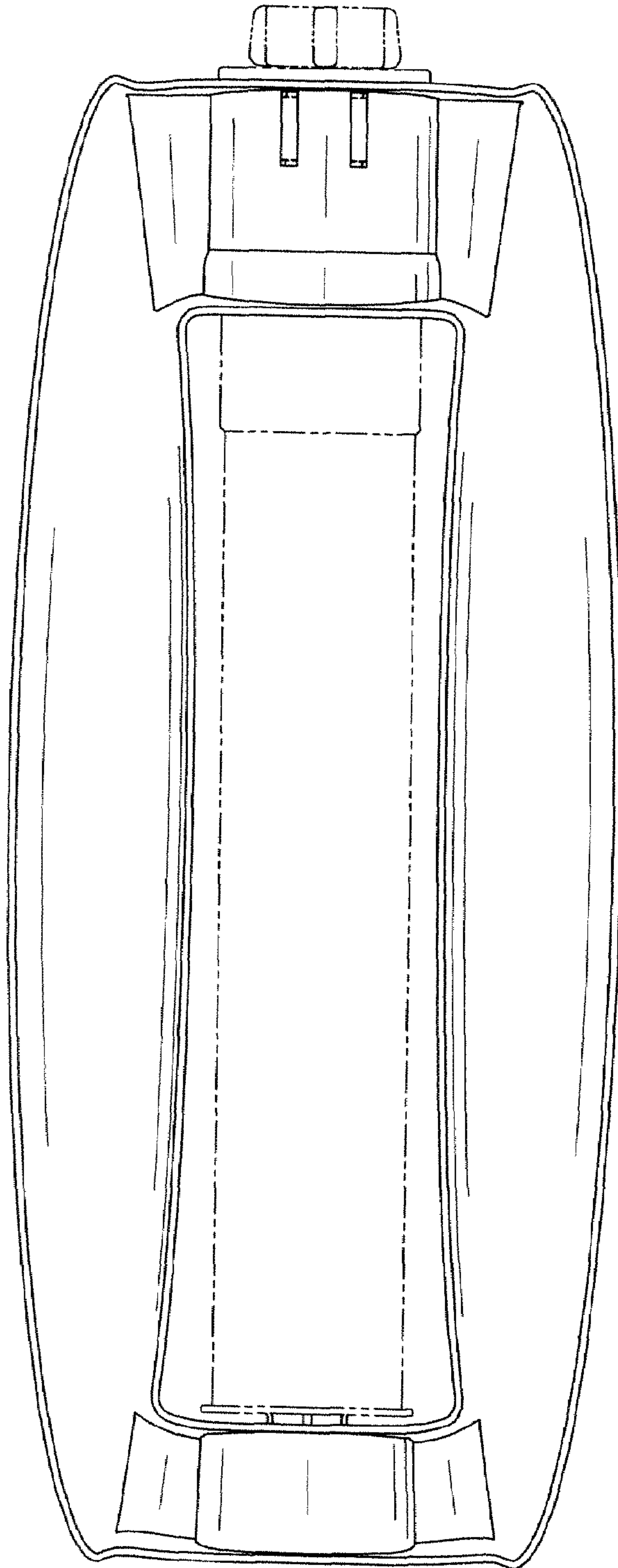


FIG. 7