



US00D599879S

(12) **United States Design Patent**  
**Bertucci et al.**

(10) **Patent No.:** **US D599,879 S**

(45) **Date of Patent:** **\*\* Sep. 8, 2009**

(54) **FLUID DISPENSER**

(75) Inventors: **Michael H. Bertucci**, Gurnee, IL (US);  
**Christopher F. Lang**, Racine, WI (US);  
**Susan K. Lewis**, Gurnee, IL (US);  
**Justin M. Nunez**, Milwaukee, WI (US);  
**Timothy S. Jones**, Sharpsburg, GA  
(US); **Steven E. Schiller**, Kenosha, WI  
(US); **Wayne P. Phillips**, Hudson, WI  
(US); **Jerome A. Grunstad**, Inver Grove  
Heights, MN (US)

(73) Assignee: **JohnsonDiversey, Inc.**, Sturtevant, WI  
(US)

(\*\*) Term: **14 Years**

(21) Appl. No.: **29/291,940**

(22) Filed: **Sep. 21, 2007**

(51) **LOC (9) Cl.** ..... **23-01**

(52) **U.S. Cl.** ..... **D23/208**

(58) **Field of Classification Search** ..... D15/147,  
D15/199; D8/2; D23/200, 207, 208, 213,  
D23/223; 366/129, 162.1-162.3, 336, 342,  
366/344; 290/54; 222/52-59

See application file for complete search history.

(56) **References Cited**

**U.S. PATENT DOCUMENTS**

3,346,144 A 10/1967 Hings  
3,620,415 A 11/1971 Ruth ..... 222/57  
3,642,171 A 2/1972 Ernst ..... 222/59

(Continued)

**FOREIGN PATENT DOCUMENTS**

DE 40 26 283 A1 2/1991  
EP 1915 9067 6/1916  
EP 266883 3/1927

EP 777043 6/1957  
EP 974211 11/1964  
EP 0 098 419 1/1984  
FR 1 060 506 4/1954  
FR 2 808 898 11/2001

*Primary Examiner*—Brian N Vinson

(74) *Attorney, Agent, or Firm*—Michael Best & Friedrich  
LLP

(57) **CLAIM**

The ornamental design for a fluid dispenser, as shown and  
described.

**DESCRIPTION**

FIG. 1 is a top, front, and left side perspective view of a fluid  
dispenser showing a first embodiment of our new design;

FIG. 2 is a left side elevational view thereof;

FIG. 3 is a front elevational view thereof;

FIG. 4 is a right side elevational view thereof;

FIG. 5 is a rear elevational view thereof;

FIG. 6 is a top plan view thereof;

FIG. 7 is a top, front, and left side perspective view of a fluid  
dispenser showing a second embodiment of our new design;

FIG. 8 is a left side elevational view thereof;

FIG. 9 is a front elevational view thereof;

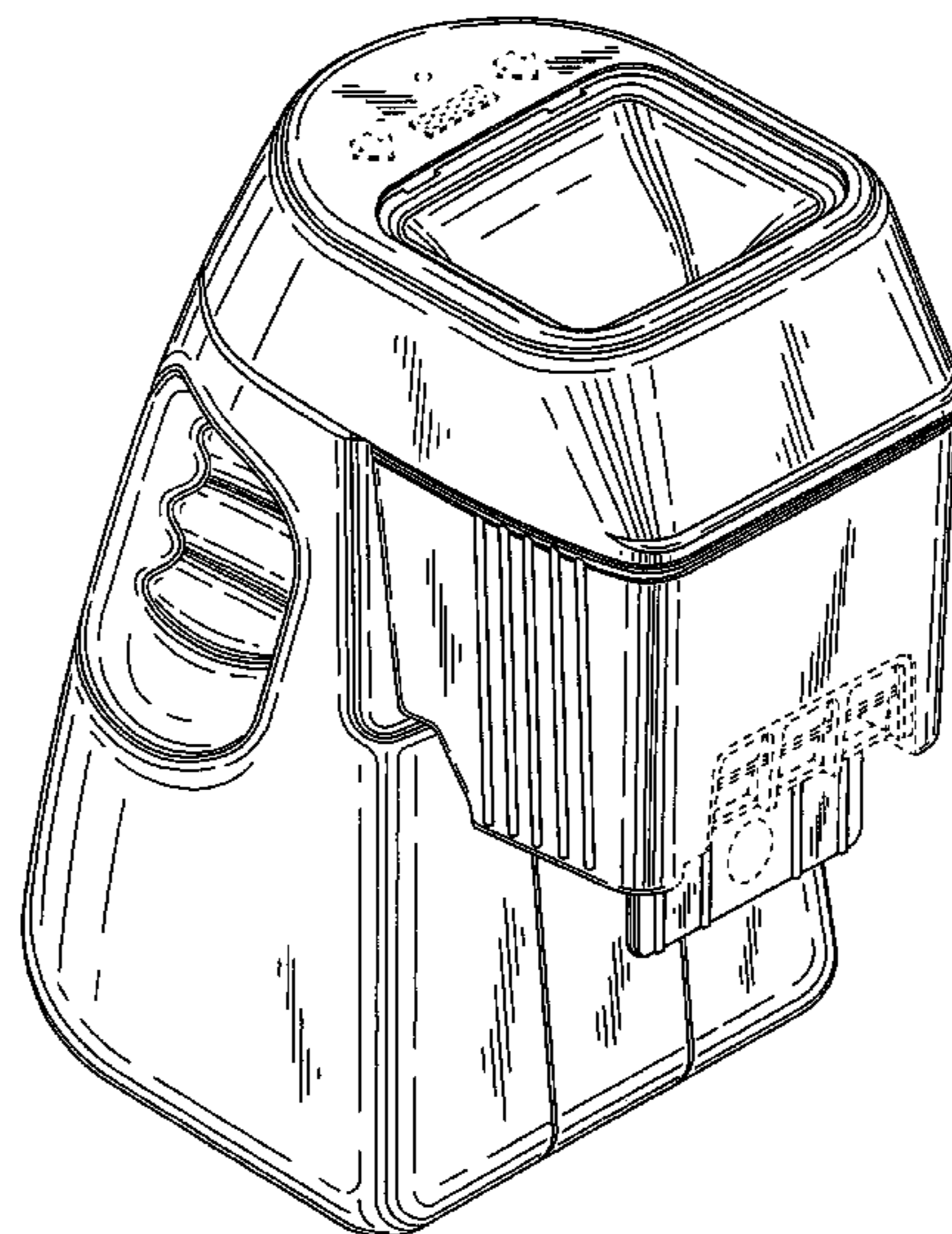
FIG. 10 is a right side elevational view thereof;

FIG. 11 is a rear elevational view thereof; and,

FIG. 12 is a top plan view thereof.

The broken-line disclosure of elements part of the article in  
which the claimed design is embodied are for illustrative  
purposes only and form no part of the claimed design. Where  
an unclaimed surface is adjacent to a claimed surface, the  
broken-line between the two is understood to represent and  
unclaimed border.

**1 Claim, 12 Drawing Sheets**



# US D599,879 S

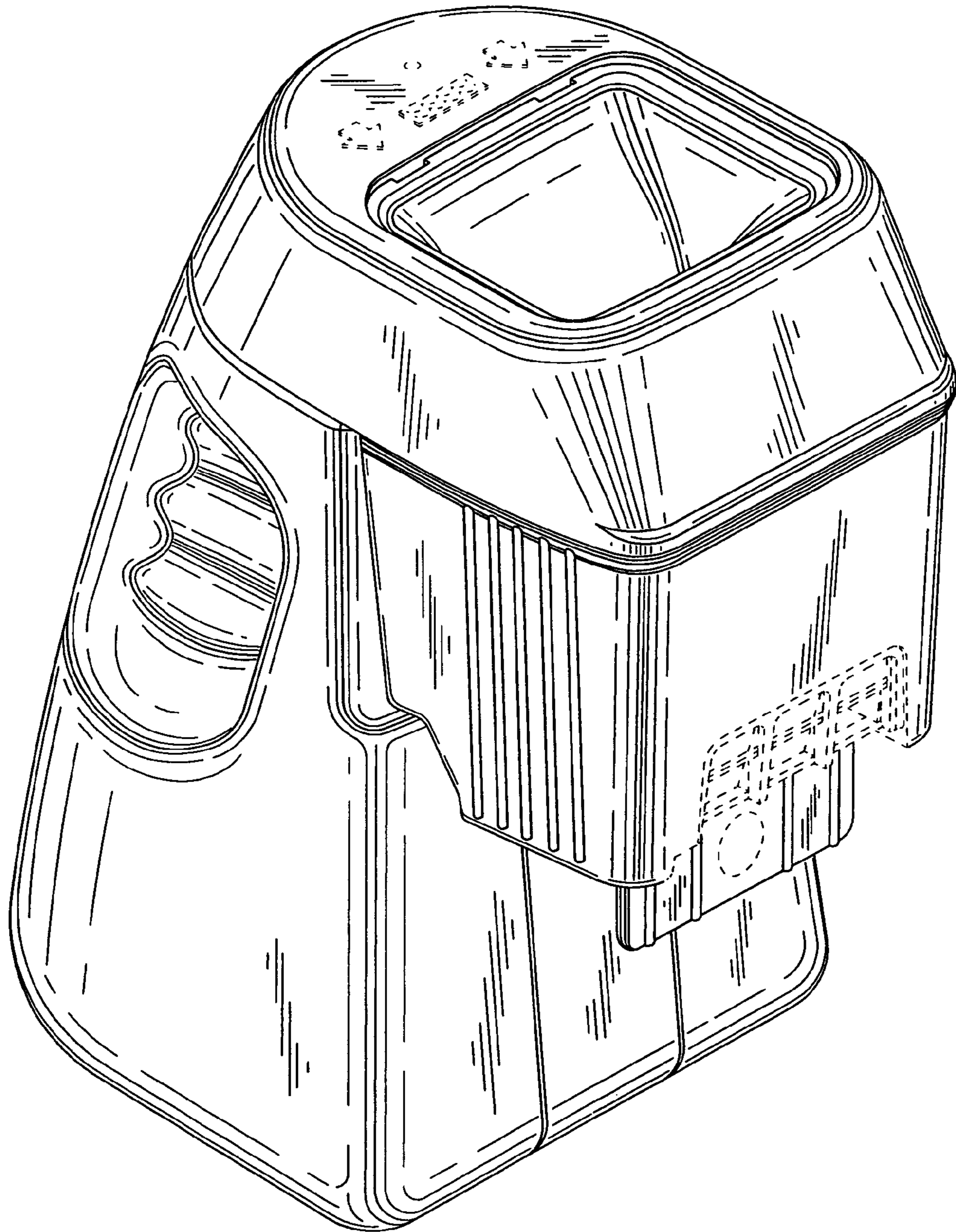
Page 2

---

## U.S. PATENT DOCUMENTS

3,984,698 A	10/1976	Brewer .....	290/54	6,079,871 A	6/2000	Jonas et al. ....	366/336
4,023,778 A	5/1977	Joly et al. ....	259/4 R	D463,226 S *	9/2002	Winkler .....	D8/2
4,363,341 A	12/1982	Powell .....	141/78	D510,609 S *	10/2005	Huang .....	D23/223
4,538,919 A	9/1985	Bohnensieker .....	366/162	D534,044 S *	12/2006	Zak .....	D8/2
D333,951 S *	3/1993	Courtney et al. ....	D8/2	D540,906 S *	4/2007	Hardwick .....	D23/208
5,905,312 A	5/1999	Liou .....	290/54	D571,432 S *	6/2008	Hardwick .....	D23/208
6,029,688 A	2/2000	Kaufman .....	137/99	2006/0043738 A1	3/2006	Roos .....	290/54

\* cited by examiner



**FIG. 1**

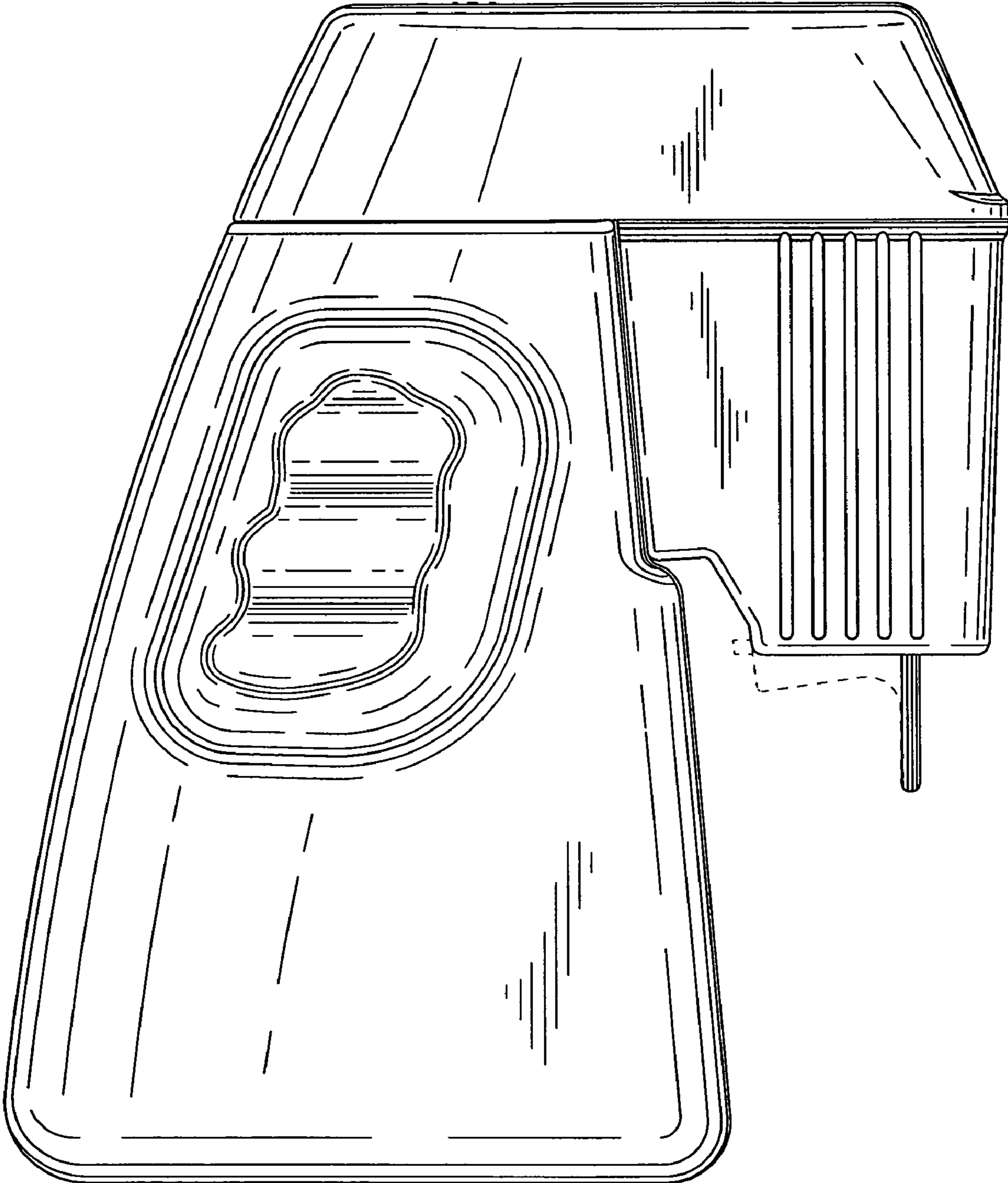
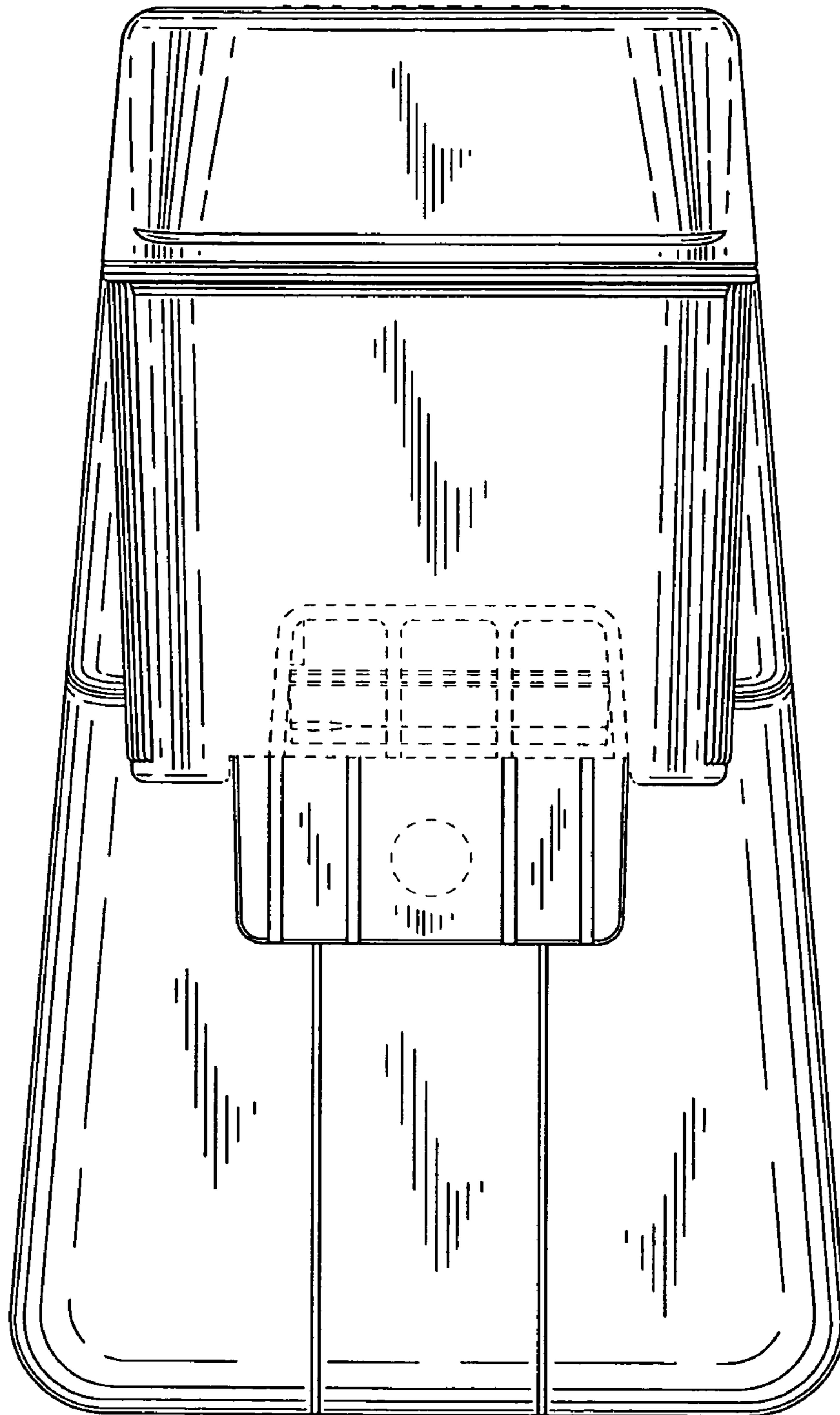
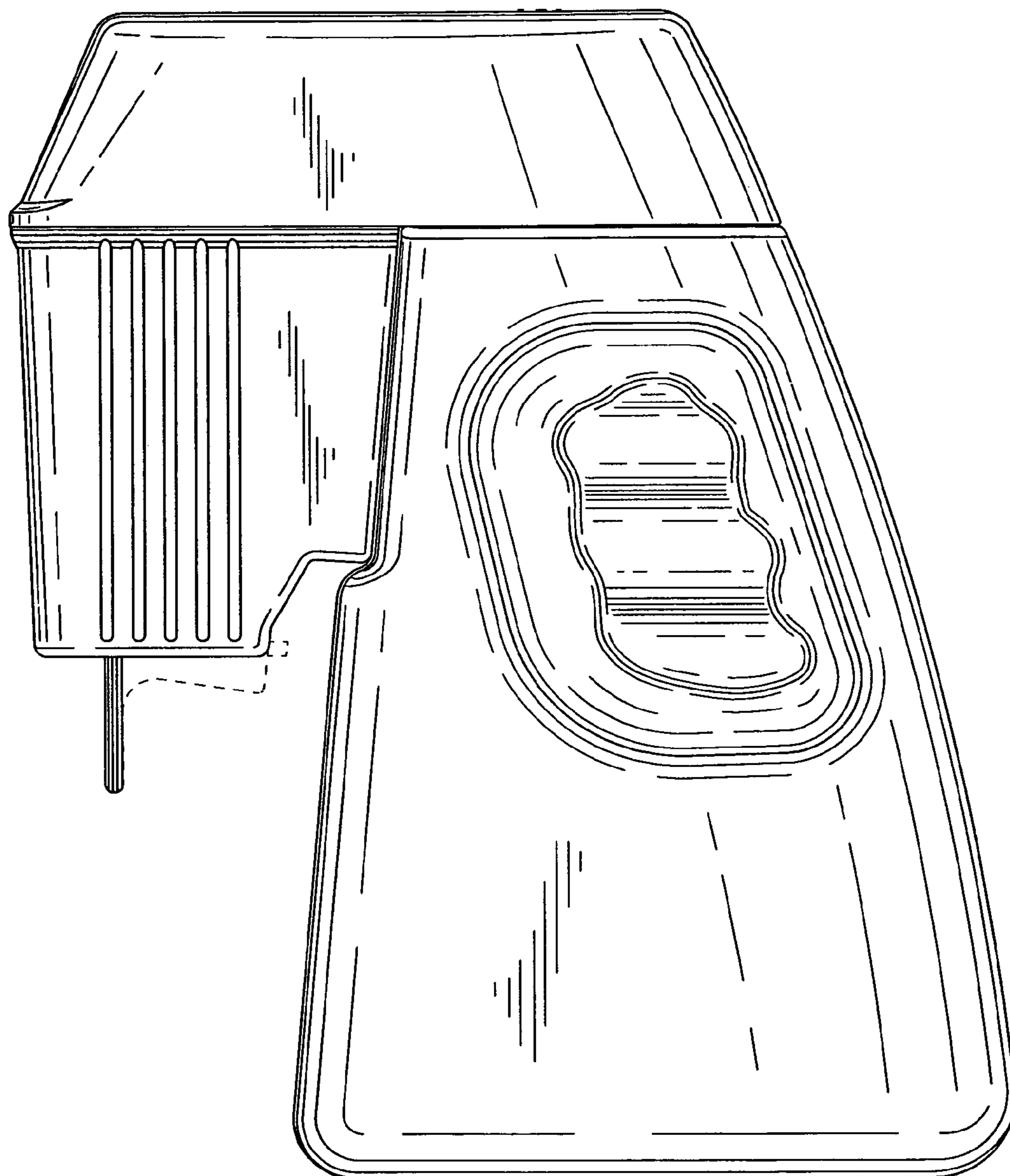


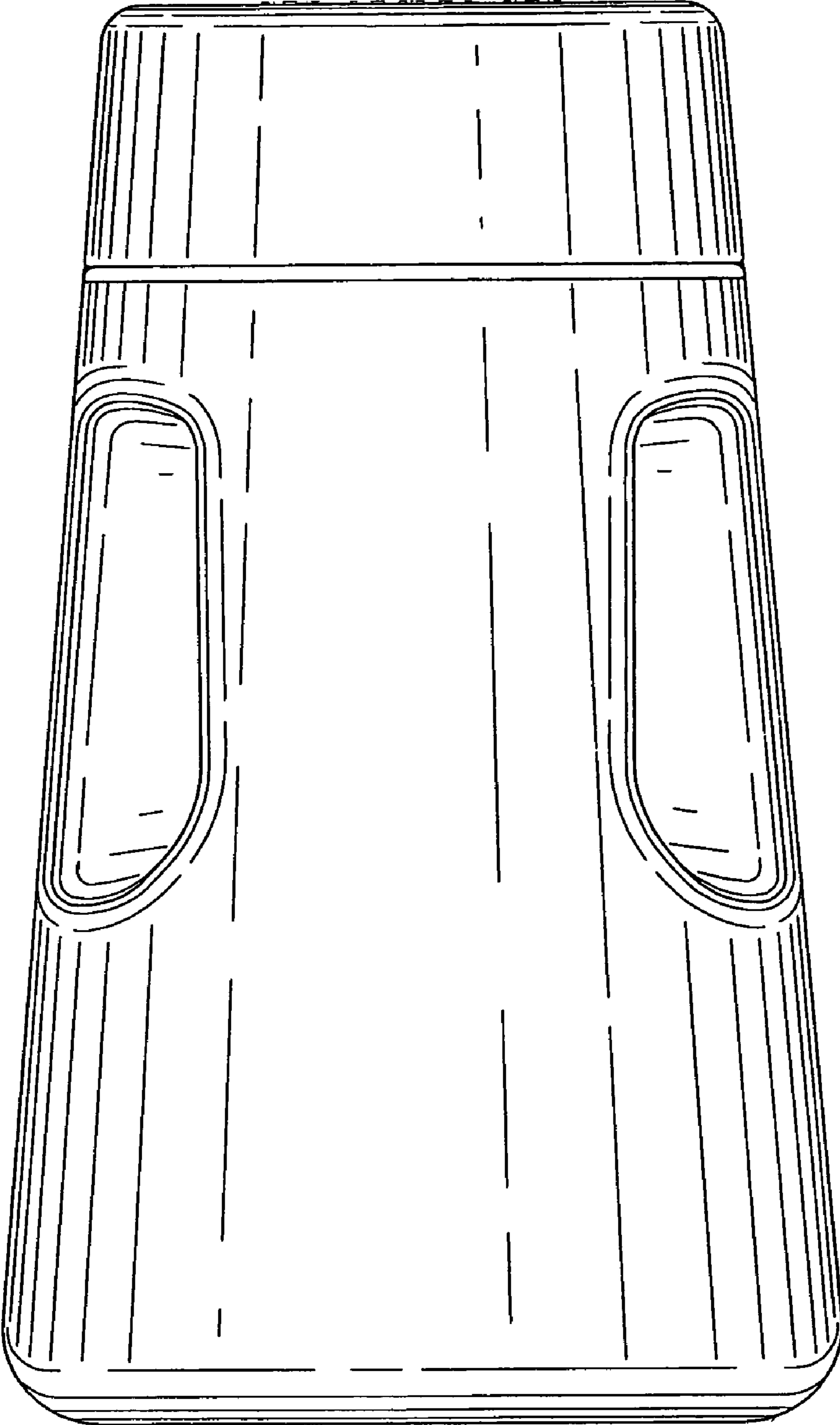
FIG. 2



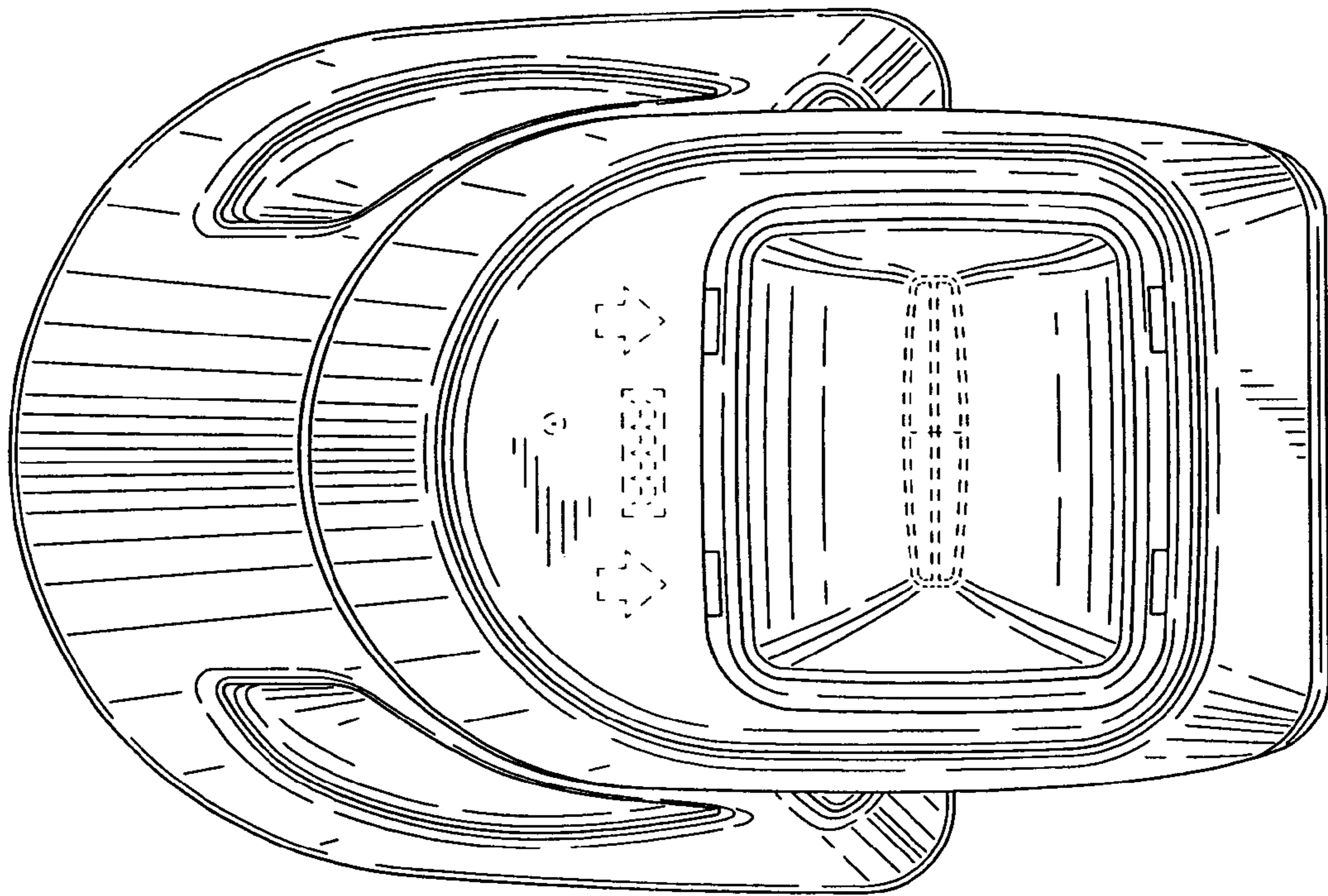
**FIG. 3**



**FIG. 4**

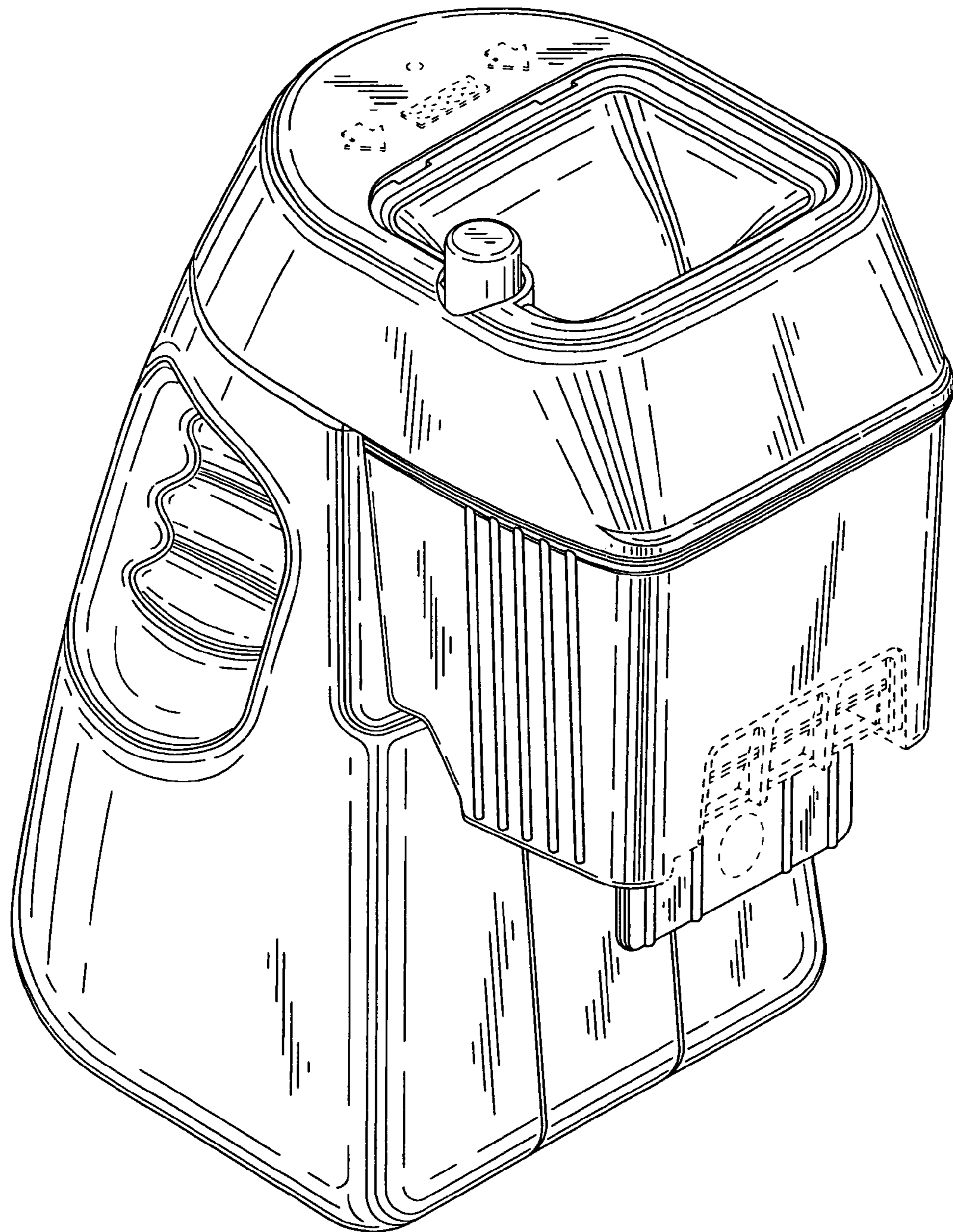


**FIG. 5**

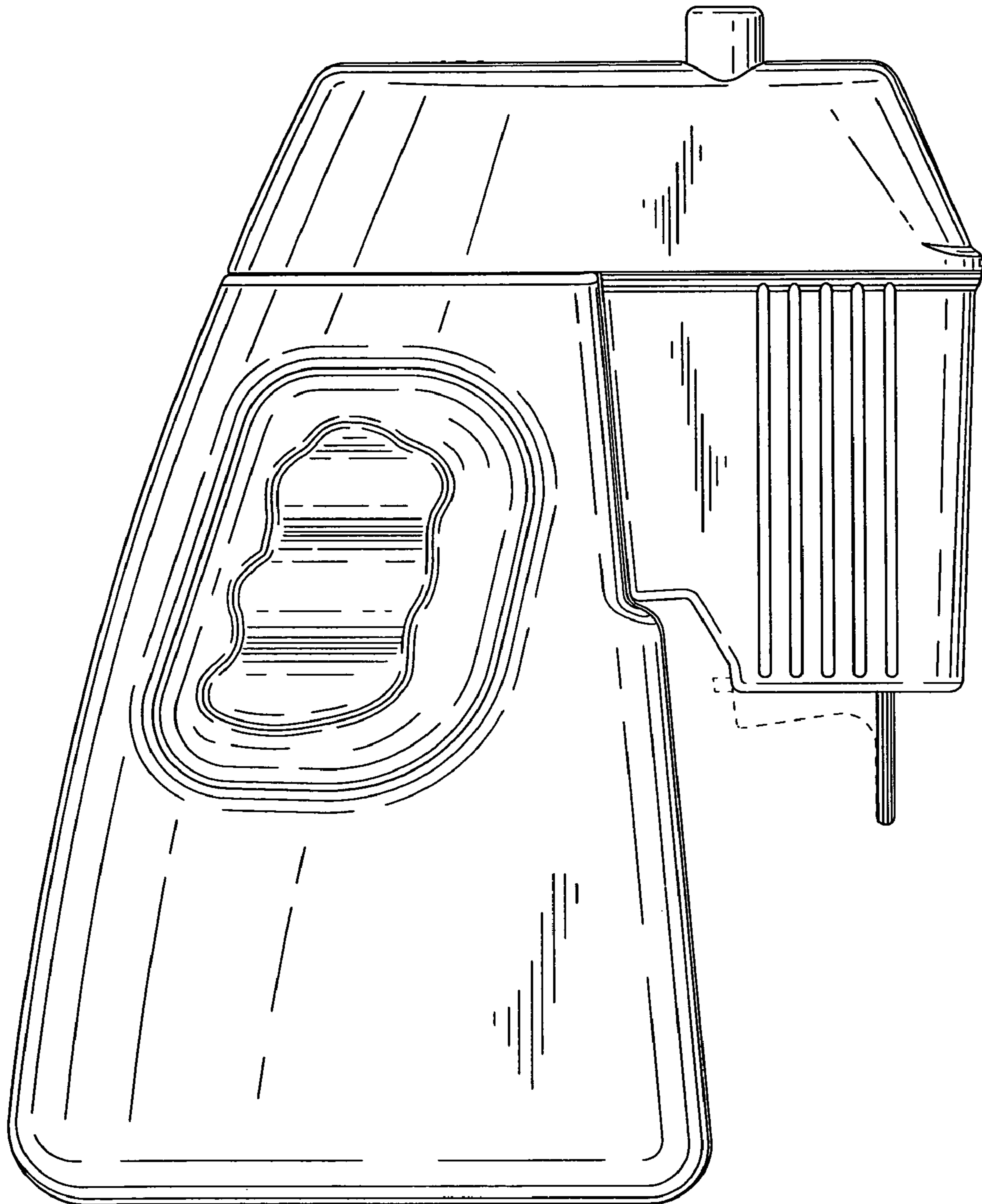


**FIG. 6**

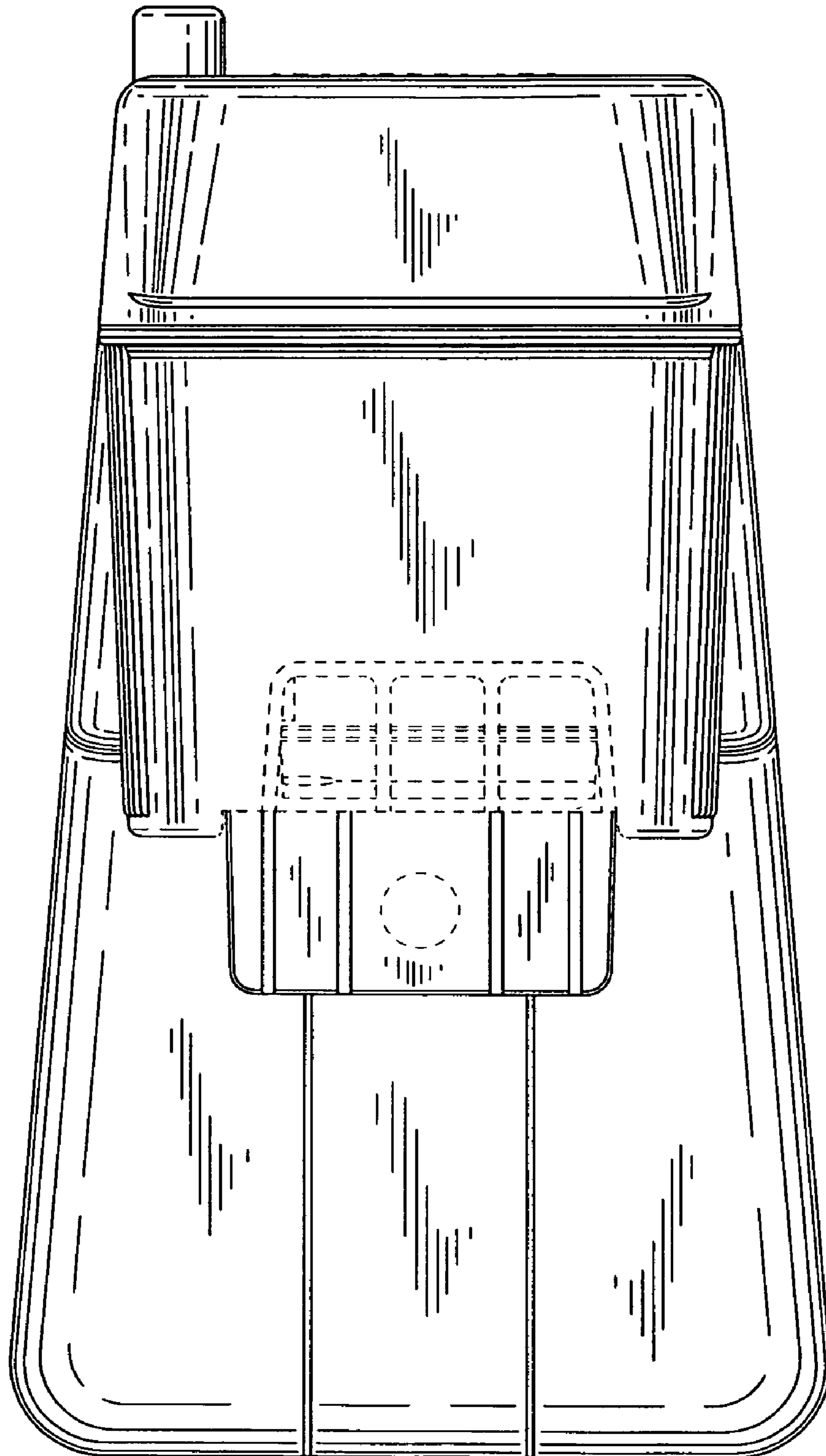




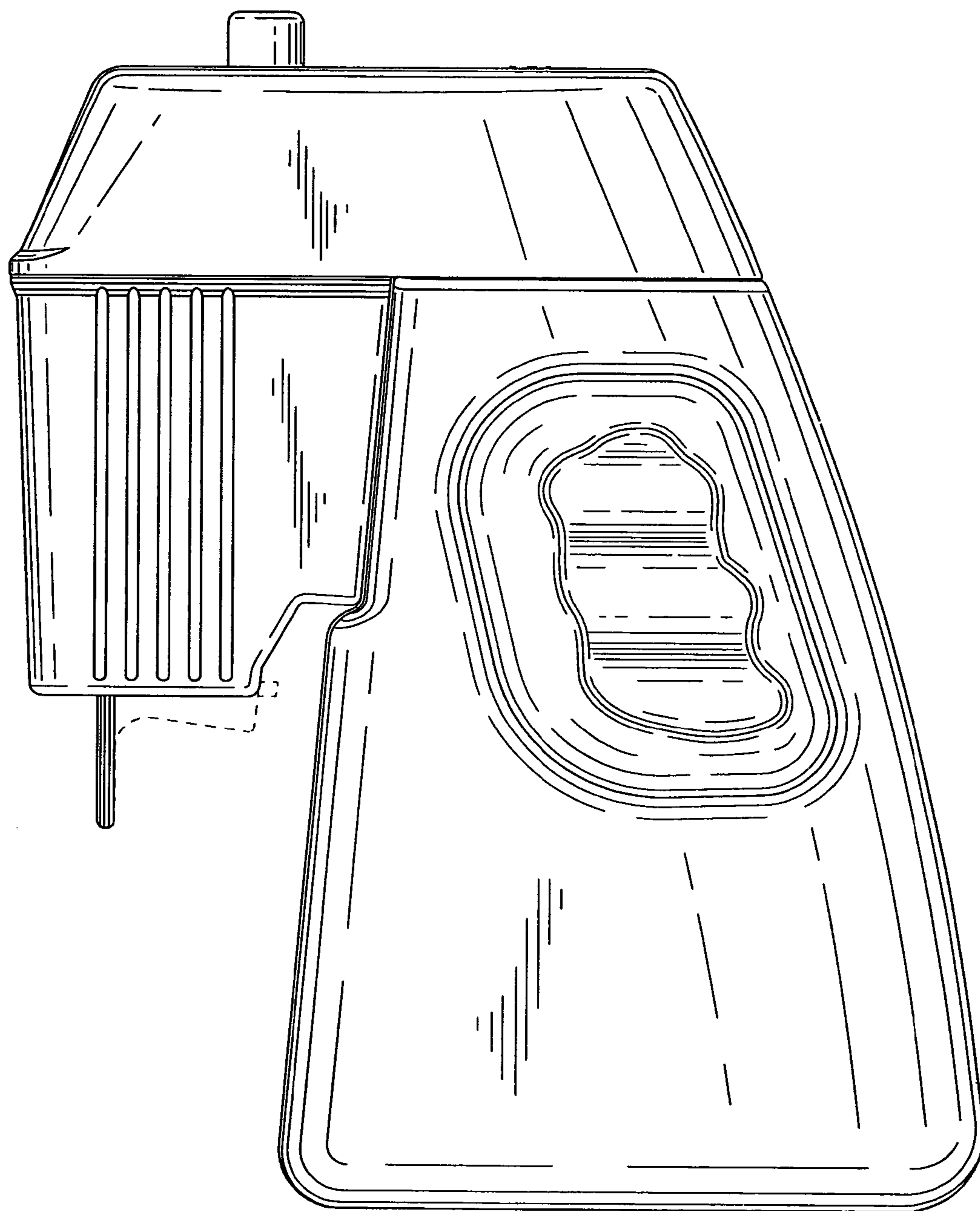
**FIG. 7**



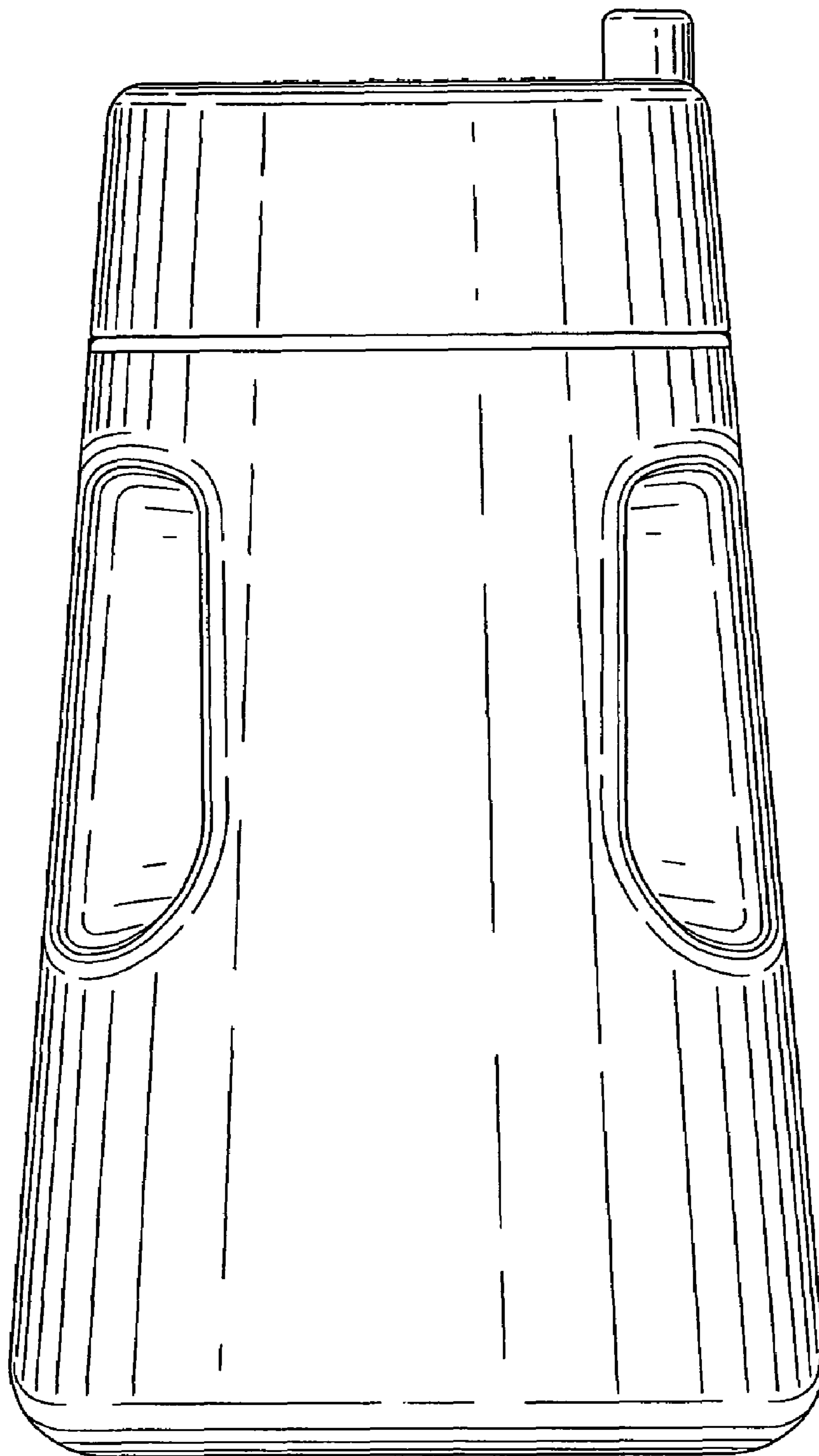
**FIG. 8**



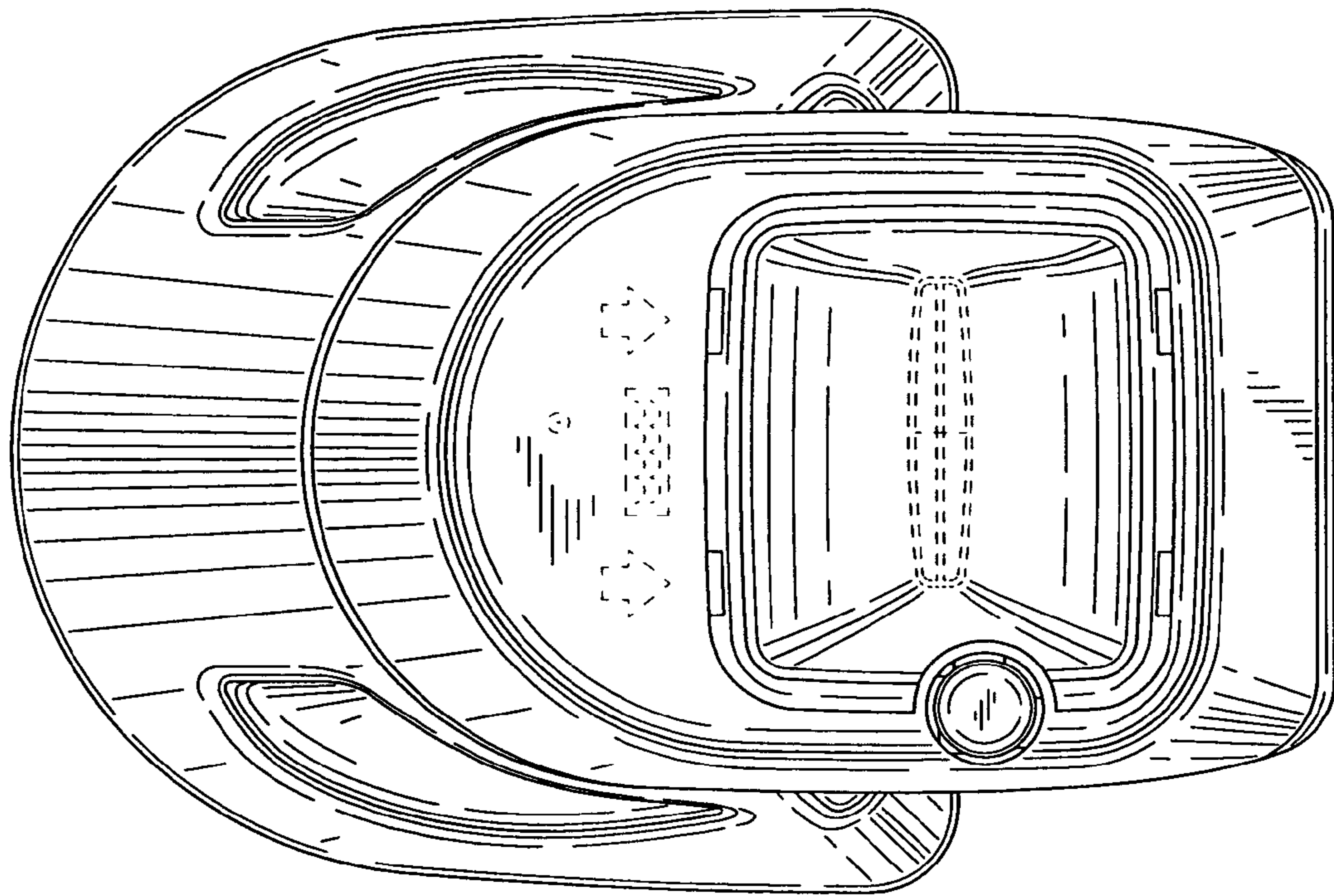
**FIG. 9**



**FIG. 10**



**FIG. 11**



**FIG. 12**