



US00D599878S

(12) **United States Design Patent**  
**Costanzo**

(10) **Patent No.:** **US D599,878 S**

(45) **Date of Patent:** **\*\* Sep. 8, 2009**

(54) **MAGNETIC FLUID CONDITIONER**

D475,117 S \* 5/2003 Sacs ..... D23/207  
D516,666 S \* 3/2006 Goran ..... D23/207

(75) Inventor: **Sharon M. Costanzo**, Roseburg, OR  
(US)

\* cited by examiner

*Primary Examiner*—Robin V Webster

(73) Assignee: **GMX International**, Chino, CA (US)

(74) *Attorney, Agent, or Firm*—Marger Johnson &  
McCullom, P.C.

(\*\*) Term: **14 Years**

(57) **CLAIM**

The ornamental design for a magnetic fluid conditioner, as shown and described.

(21) Appl. No.: **29/328,314**

**DESCRIPTION**

(22) Filed: **Nov. 21, 2008**

FIG. 1 is a top and side perspective view of a magnetic fluid conditioner showing my new design, shown in its intended use;

(51) **LOC (9) Cl.** ..... **23-01**

FIG. 2 is a rear perspective view thereof;

(52) **U.S. Cl.** ..... **D23/207**

FIG. 3 is a top view thereof;

(58) **Field of Classification Search** ..... D23/207,  
D23/209; 210/222, 223; 335/296

FIG. 4 is a rear elevation view thereof;

See application file for complete search history.

FIG. 5 is a right side elevation view thereof, the left view being a mirror image; and,

(56) **References Cited**

FIG. 6 is a front elevation view thereof.

**U.S. PATENT DOCUMENTS**

The broken line showing of a pipe, screws and a second conditioner in FIG. 1, and the boundary of the screw holes in FIGS. 2, 4 and 6 is included for the purpose of illustrating and forms no part of the claimed design.

D289,674 S *	5/1987	Kulish	.....	D23/207
D299,266 S *	1/1989	Kulish	.....	D23/207
D323,699 S *	2/1992	Ambrose	.....	D23/207
D331,274 S *	11/1992	Kashani	.....	D23/207
6,377,147 B1 *	4/2002	Chang	.....	335/296

**1 Claim, 4 Drawing Sheets**

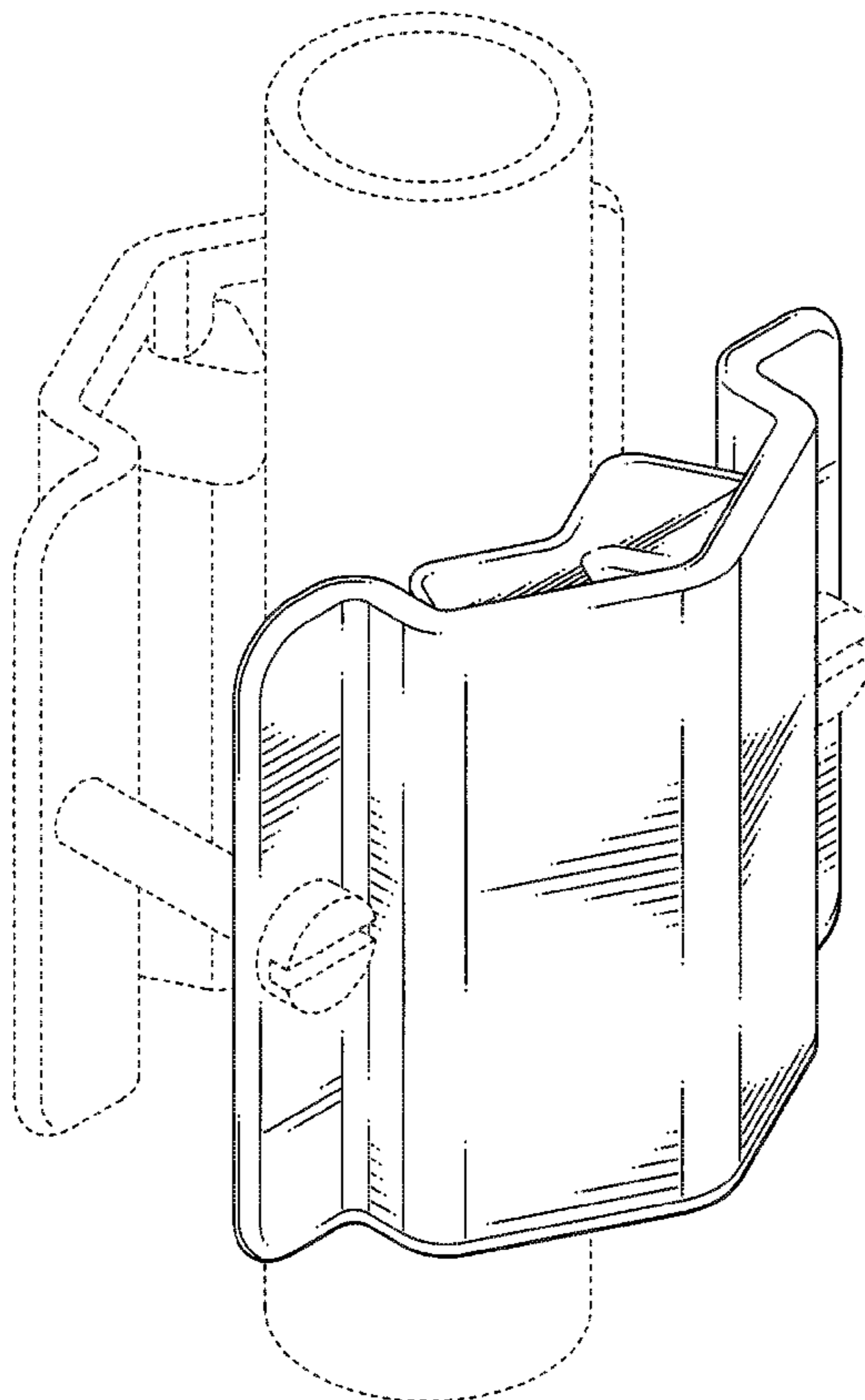
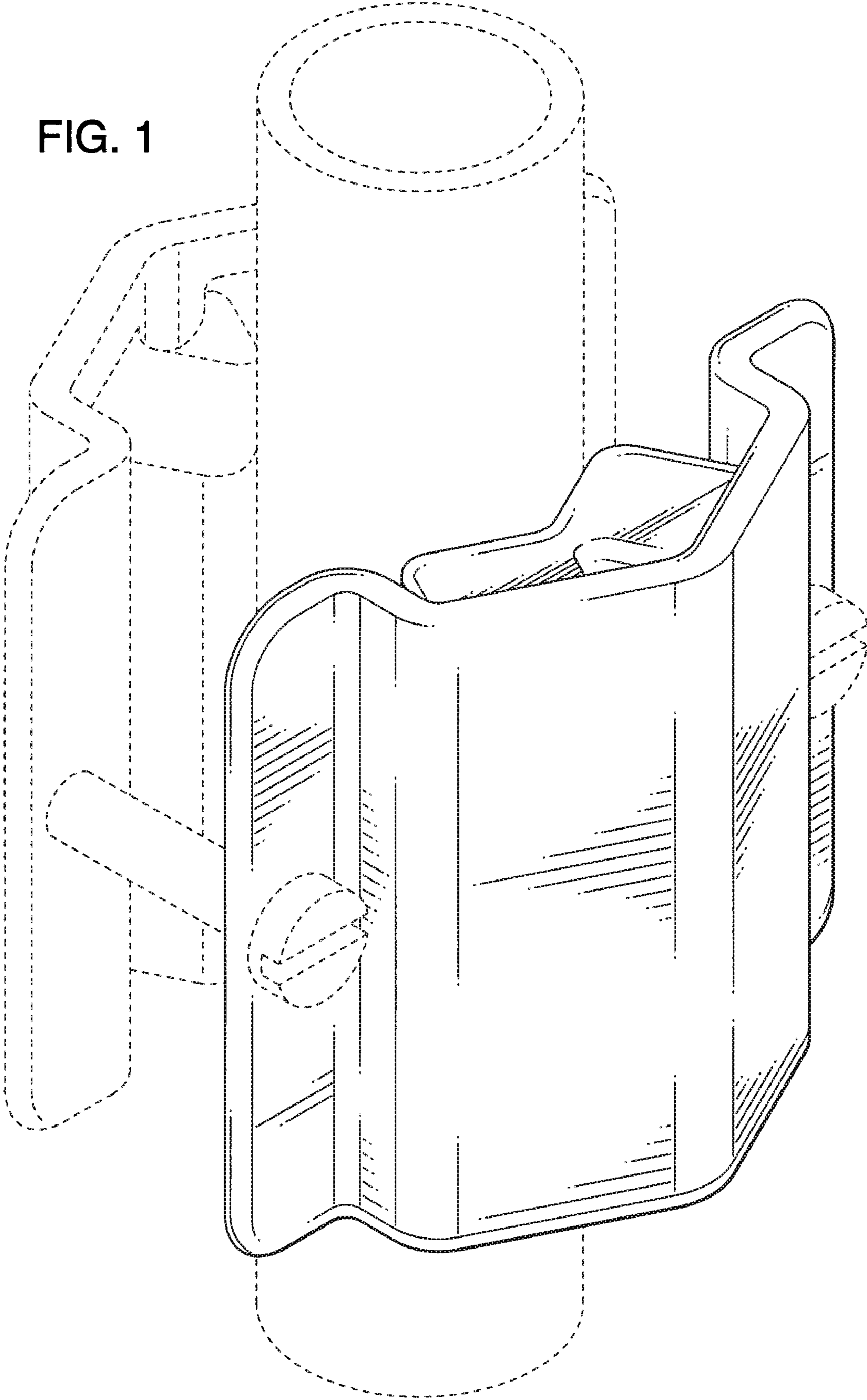


FIG. 1



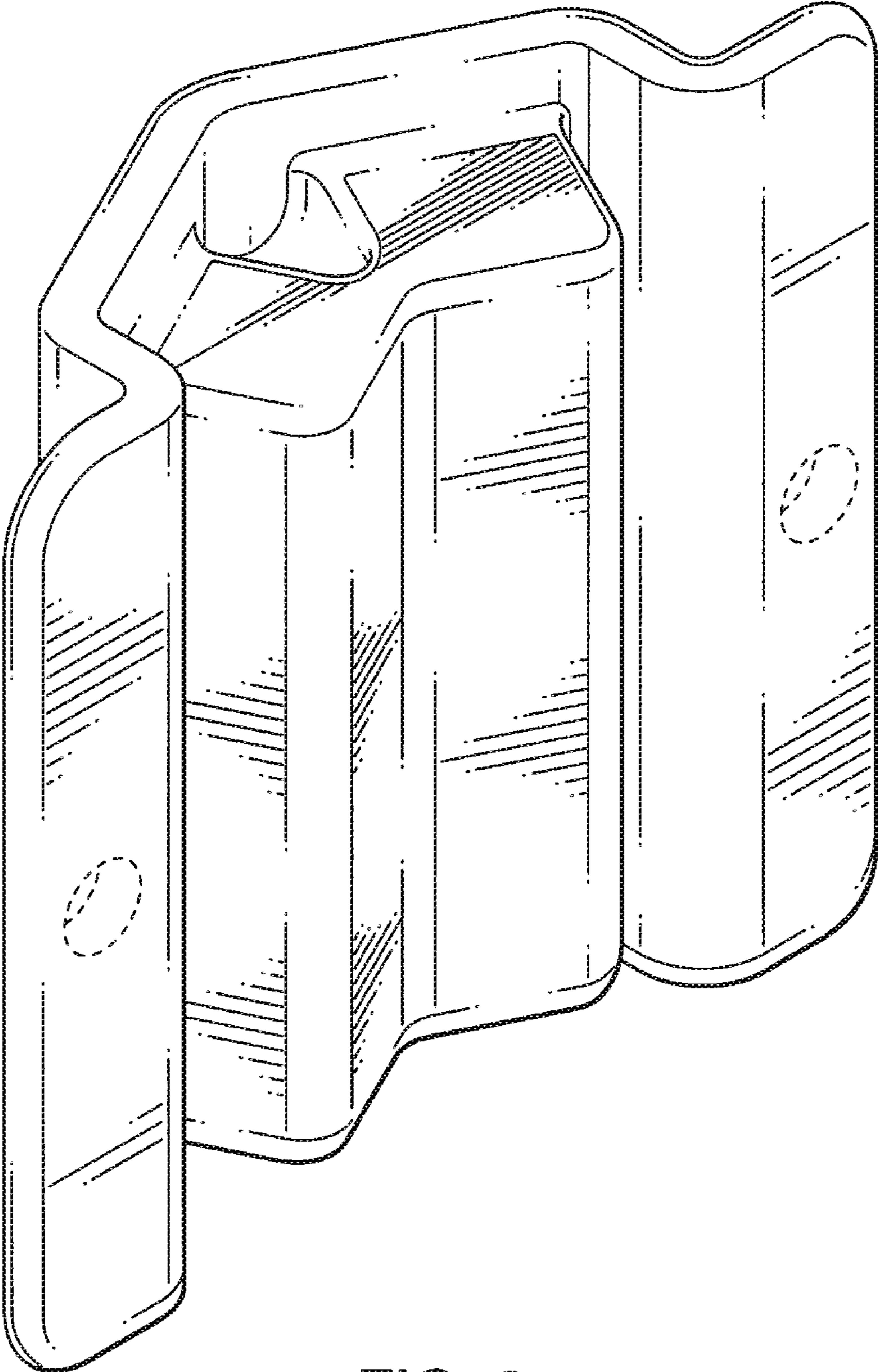


FIG. 2

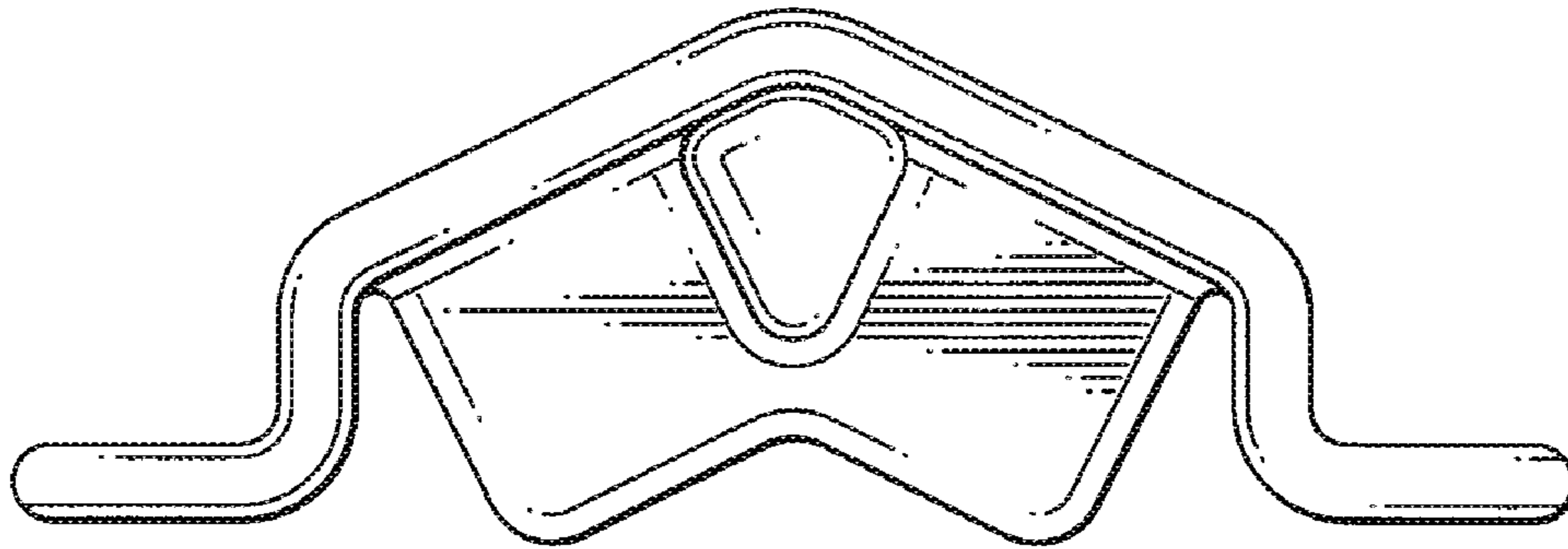


FIG. 3

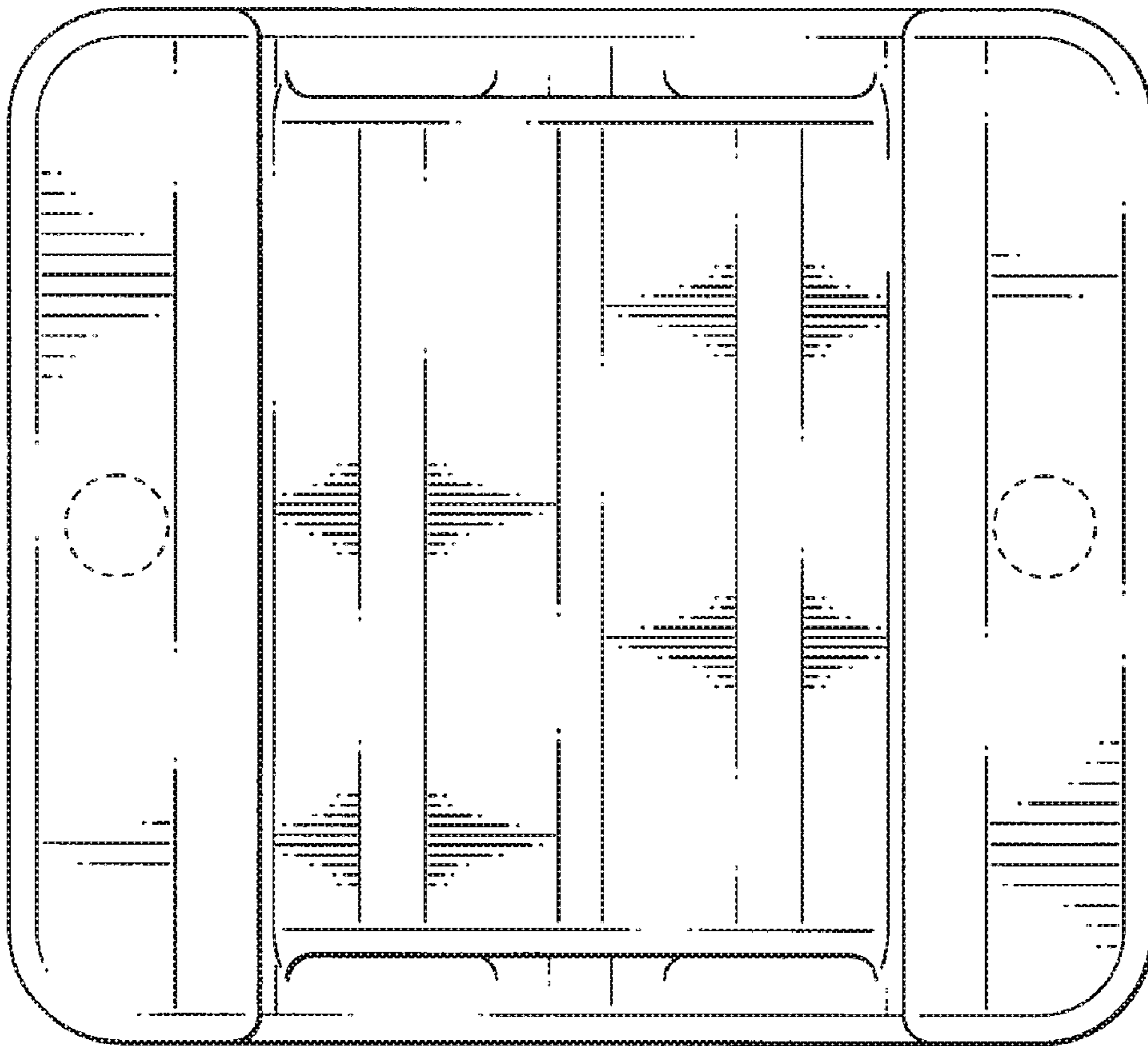


FIG. 4



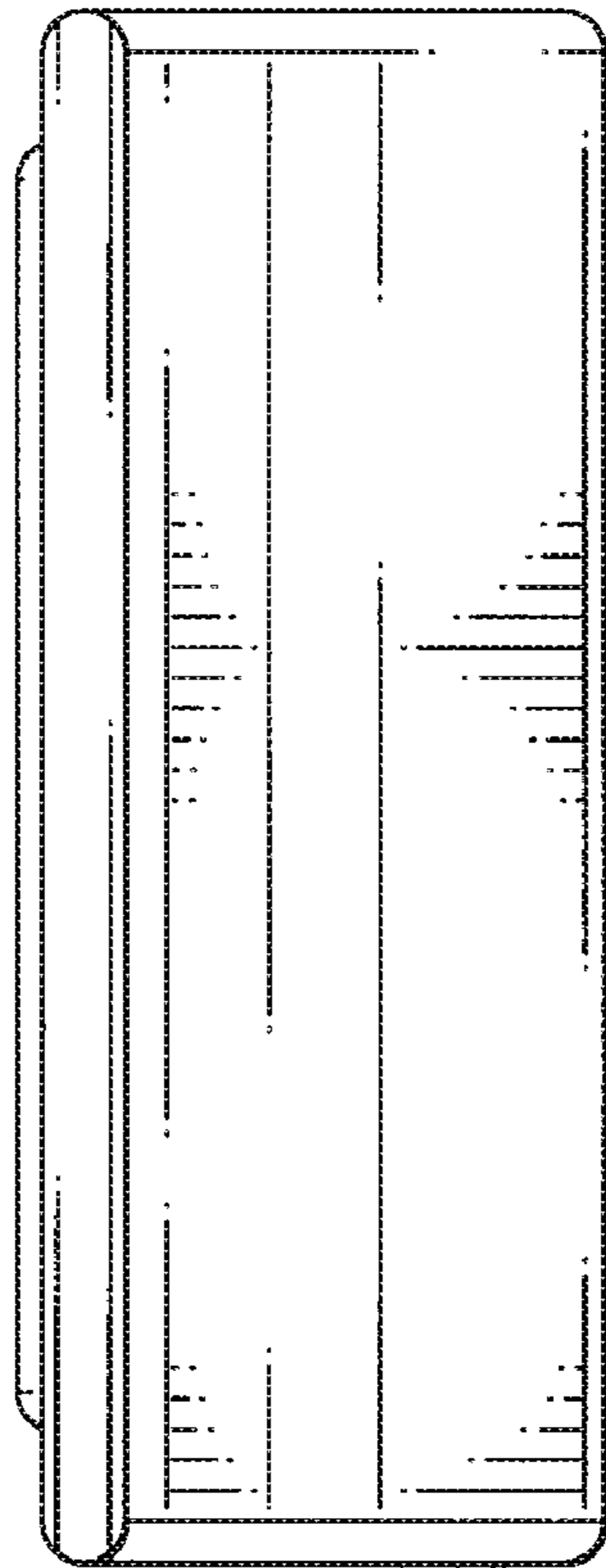


FIG. 5

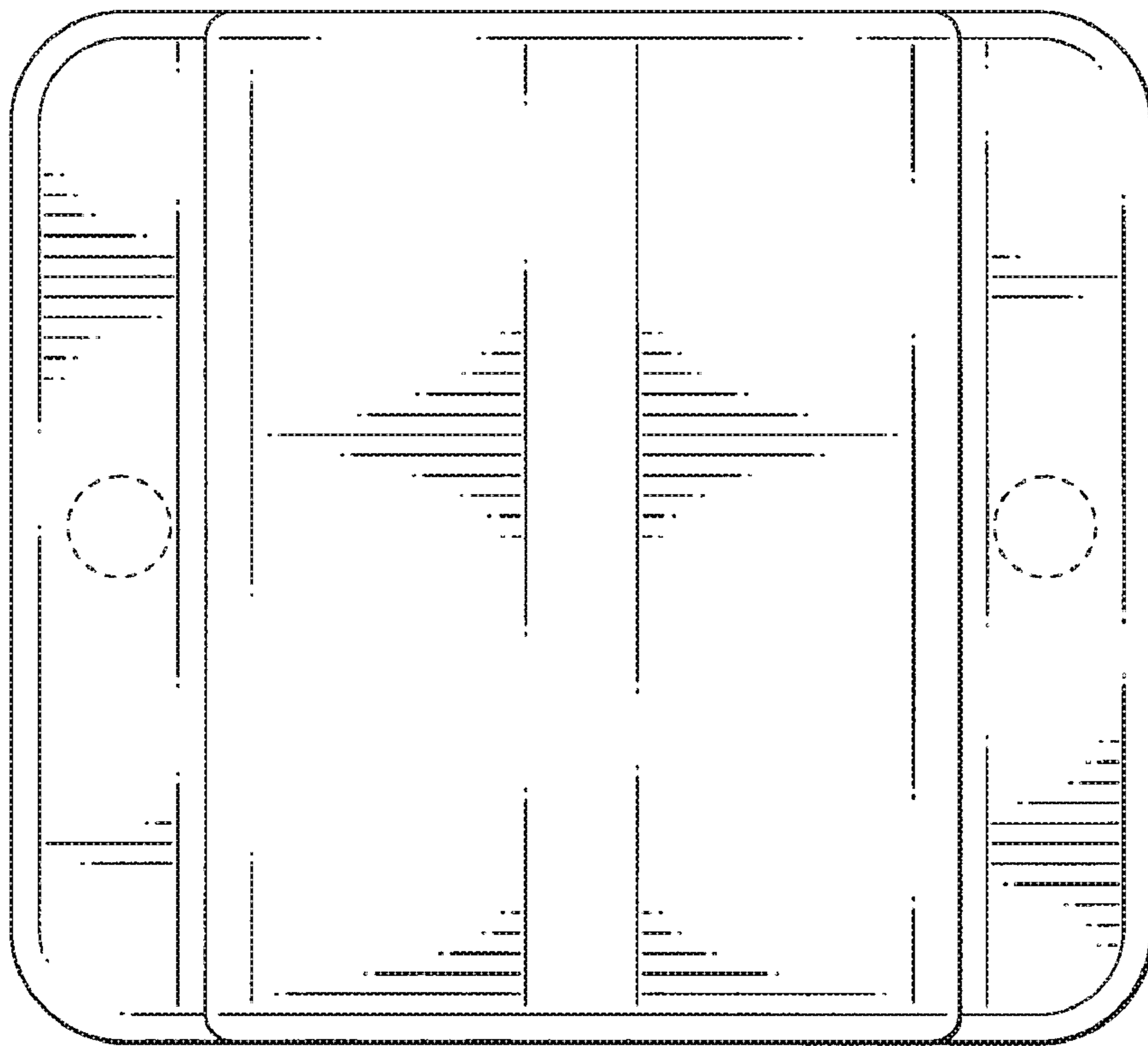


FIG. 6