



US00D599875S

(12) **United States Design Patent**  
**Tippmann, Jr. et al.**

(10) **Patent No.:** **US D599,875 S**

(45) **Date of Patent:** **\*\* Sep. 8, 2009**

(54) **PROJECTILE LAUNCHER**

(75) Inventors: **Dennis J. Tippmann, Jr.**, Fort Wayne, IN (US); **Bryce A. Carrico**, Fort Wayne, IN (US)

(73) Assignee: **Tippmann Sports, LLC**, Fort Wayne, IN (US)

(\*\*) Term: **14 Years**

(21) Appl. No.: **29/277,903**

(22) Filed: **Mar. 13, 2007**

**Related U.S. Application Data**

(63) Continuation-in-part of application No. 29/253,463, filed on Feb. 7, 2006, now Pat. No. Des. 548,812.

(51) **LOC (9) Cl.** ..... **22-01**

(52) **U.S. Cl.** ..... **D22/113**

(58) **Field of Classification Search** ..... D22/112-115; 102/343, 361, 502, 144; 124/57; 86/20.1, 86/20.11, 21; 89/1.802, 1.805, 1.815; D21/454  
See application file for complete search history.

(56) **References Cited**

**U.S. PATENT DOCUMENTS**

|                |         |                 |         |
|----------------|---------|-----------------|---------|
| 1,922,081 A    | 8/1933  | Driggs          |         |
| 2,103,936 A    | 12/1937 | Decker          |         |
| 2,625,764 A    | 1/1953  | O'Brien et al.  |         |
| 3,280,744 A    | 10/1966 | Brown           |         |
| D290,731 S     | 7/1987  | Canady          |         |
| 5,965,839 A    | 10/1999 | Vasel et al.    |         |
| 5,979,329 A    | 11/1999 | Collar          |         |
| 6,286,429 B1   | 9/2001  | Marietta et al. |         |
| 6,393,992 B1   | 5/2002  | Vasel et al.    |         |
| 6,412,418 B1 * | 7/2002  | Shelton         | 102/349 |
| 6,457,415 B1   | 10/2002 | Yan             |         |

|                 |        |              |         |
|-----------------|--------|--------------|---------|
| 6,543,365 B1    | 4/2003 | Vasel et al. |         |
| 6,546,874 B2    | 4/2003 | Vasel et al. |         |
| 6,851,371 B1    | 2/2005 | Wah          |         |
| D541,898 S *    | 5/2007 | Marietta     | D22/113 |
| 2003/0047105 A1 | 3/2003 | Vasel et al. |         |
| 2005/0066841 A1 | 3/2005 | Vasel et al. |         |
| 2005/0188886 A1 | 9/2005 | Vasel et al. |         |
| 2006/0027223 A1 | 2/2006 | Vasel et al. |         |

\* cited by examiner

*Primary Examiner*—Cathron C Brooks

*Assistant Examiner*—Melanie Levy

(74) *Attorney, Agent, or Firm*—Barnes & Thornburg LLP

(57) **CLAIM**

The ornamental design for a projectile launcher, as shown and described.

**DESCRIPTION**

FIG. 1 shows a perspective view of a projectile launcher which incorporates the design of the present invention.

FIG. 2 shows a right side view of the projectile launcher of FIG. 1.

FIG. 3 shows a left side view of the projectile launcher of FIG. 1.

FIG. 4 shows a front view of the projectile launcher of FIG. 1.

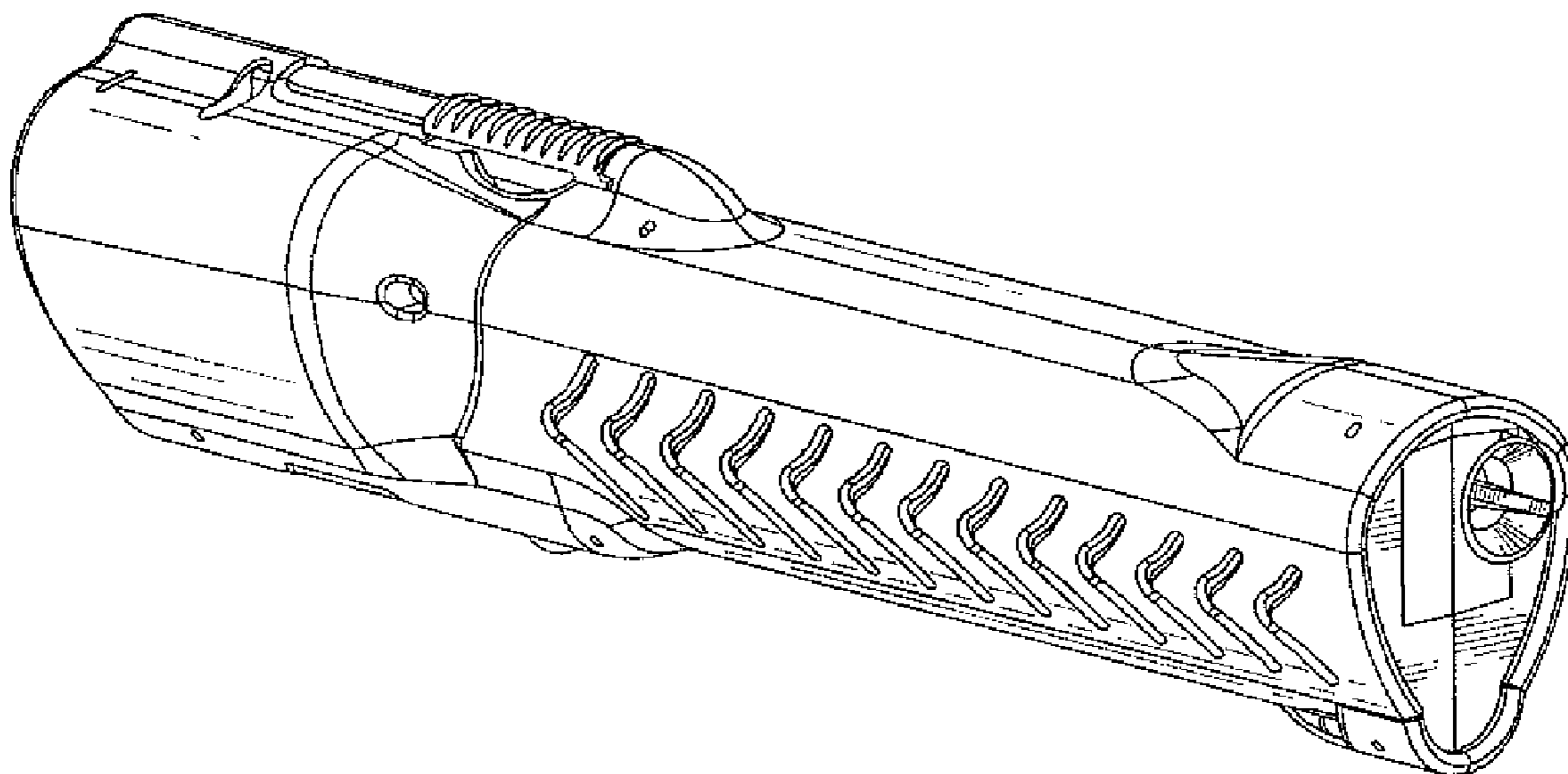
FIG. 5 shows a rear view of the projectile launcher of FIG. 1.

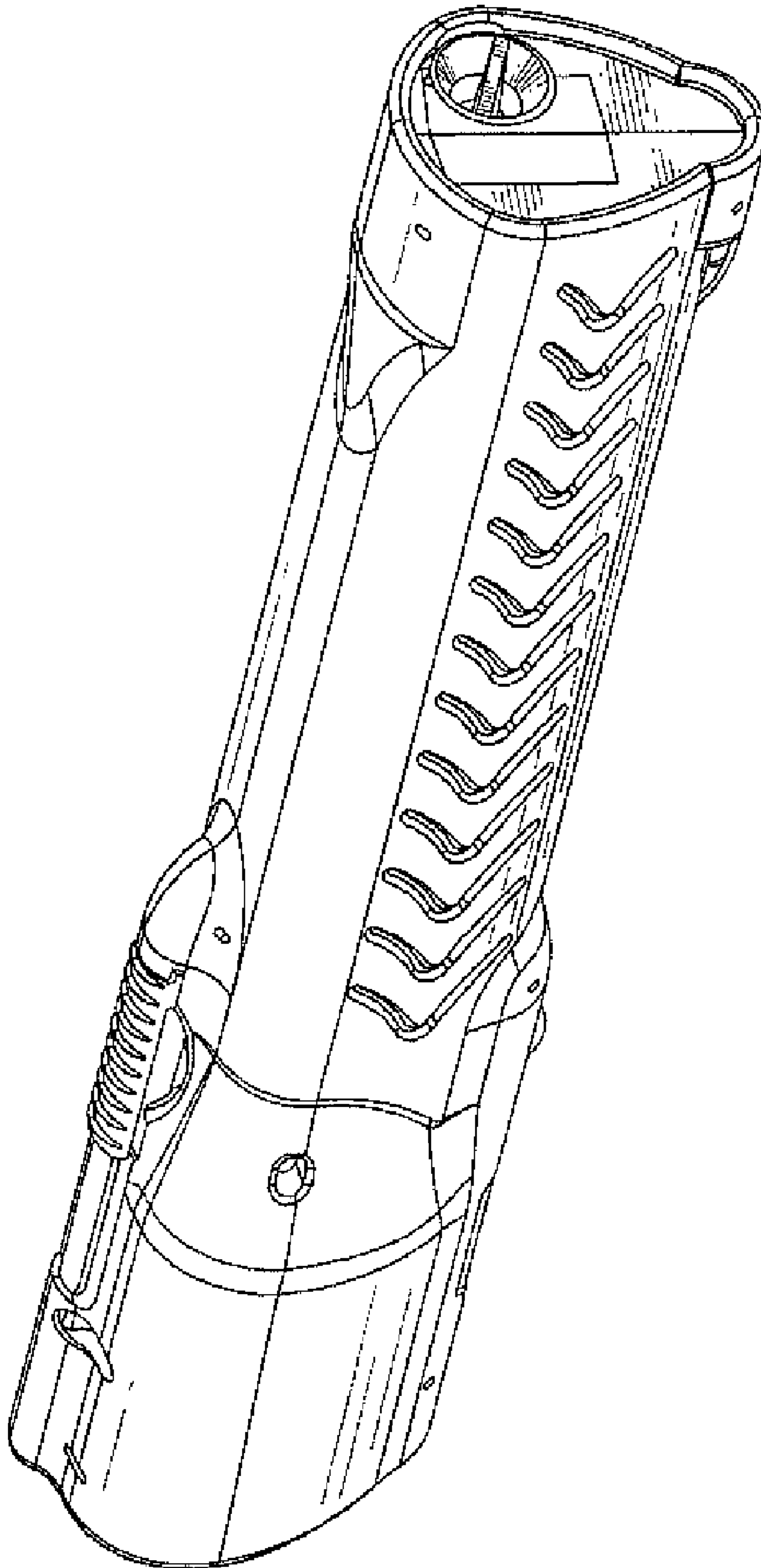
FIG. 6 shows a top view of the projectile launcher of FIG. 1; and,

FIG. 7 shows a bottom view of the projectile launcher of FIG. 1.

The broken lines shown in the drawings represent unclaimed portions of the projectile launcher and form no part of the claimed design.

**1 Claim, 7 Drawing Sheets**





**FIG. 1**

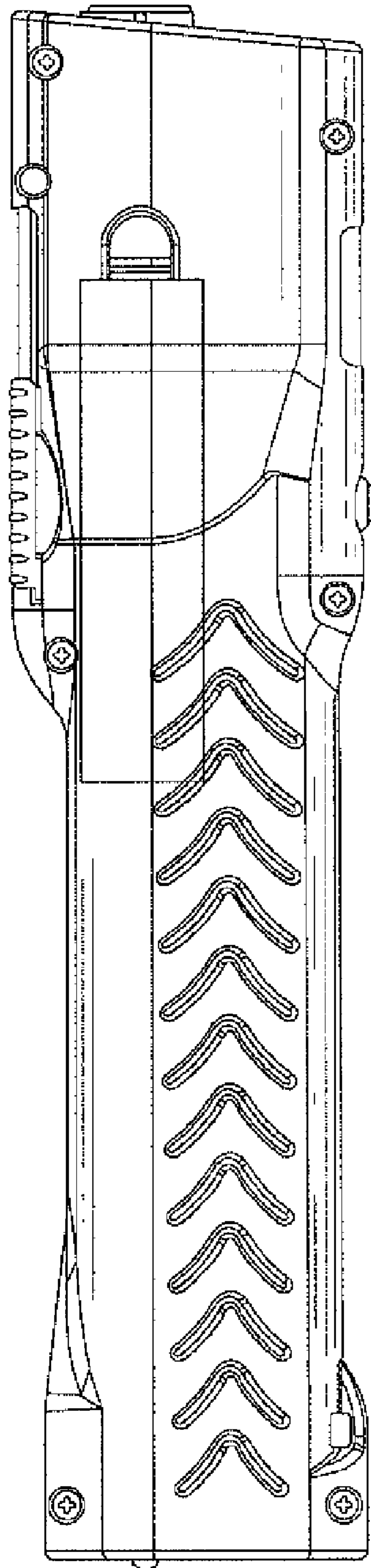


FIG. 2

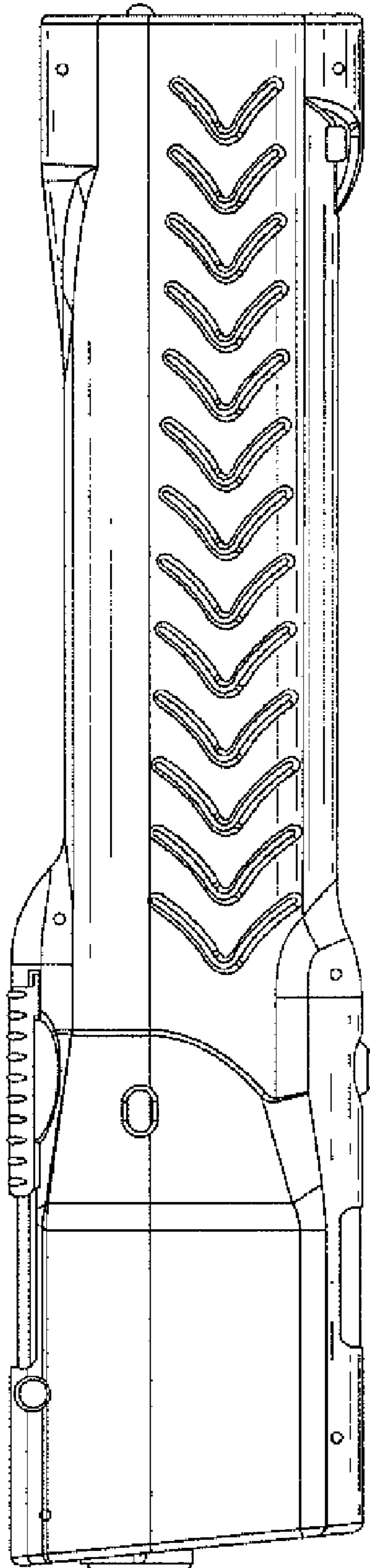
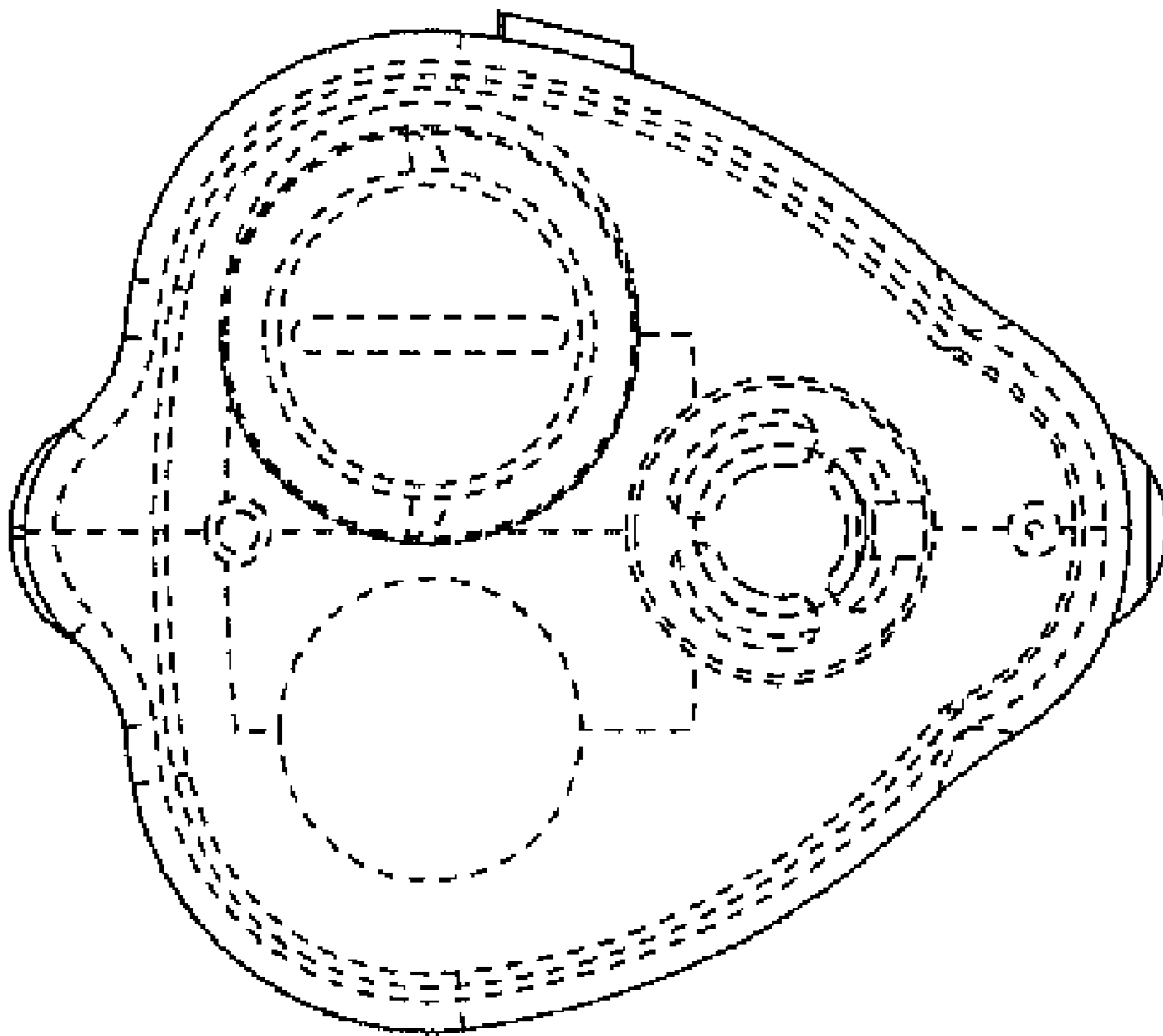
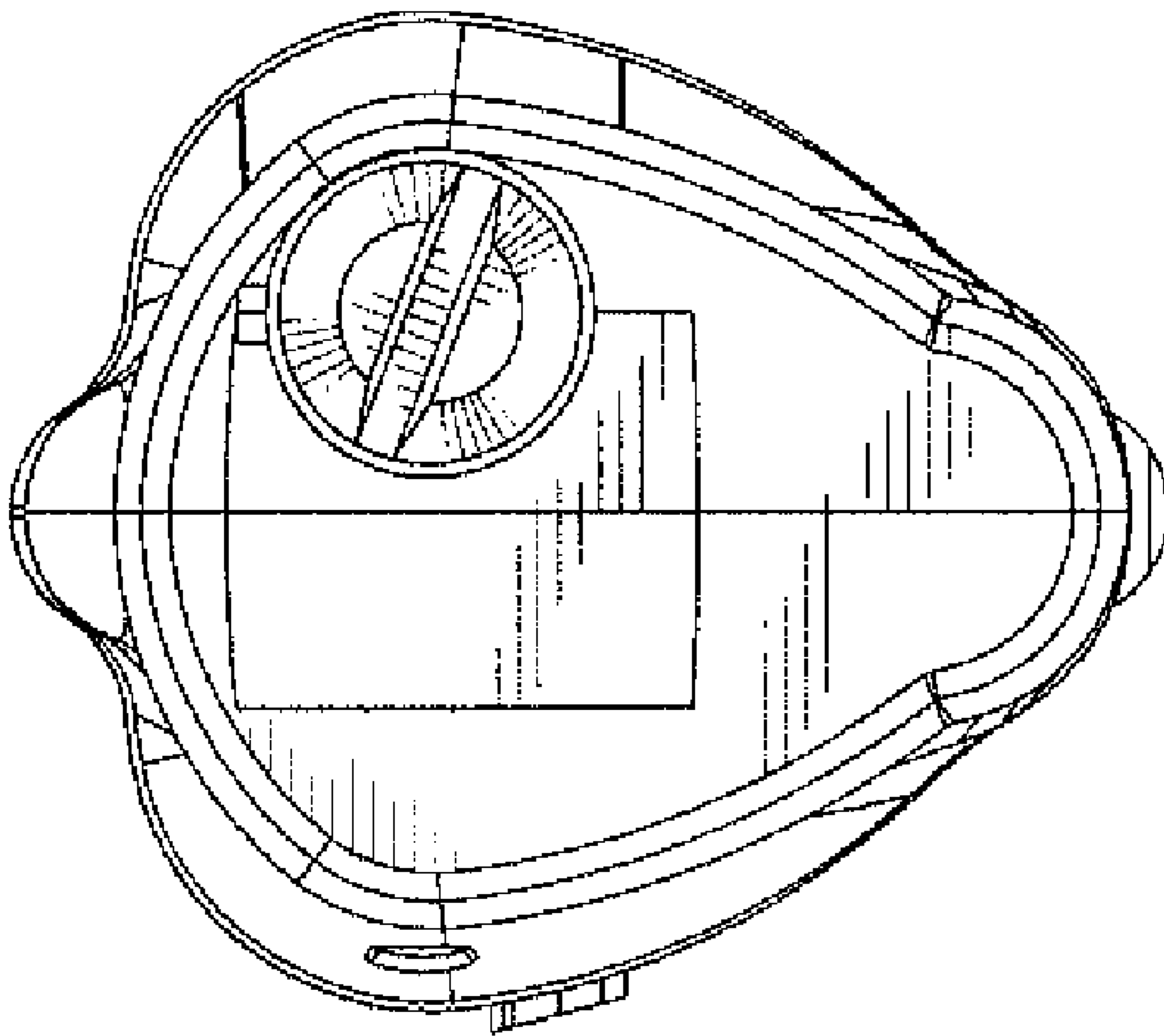


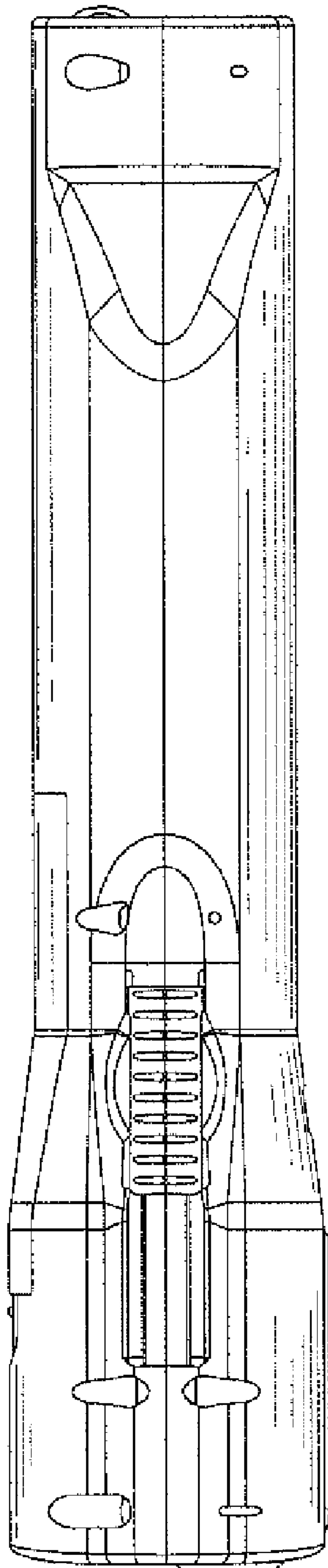
FIG. 3



**FIG. 4**



**FIG. 5**



**FIG. 6**

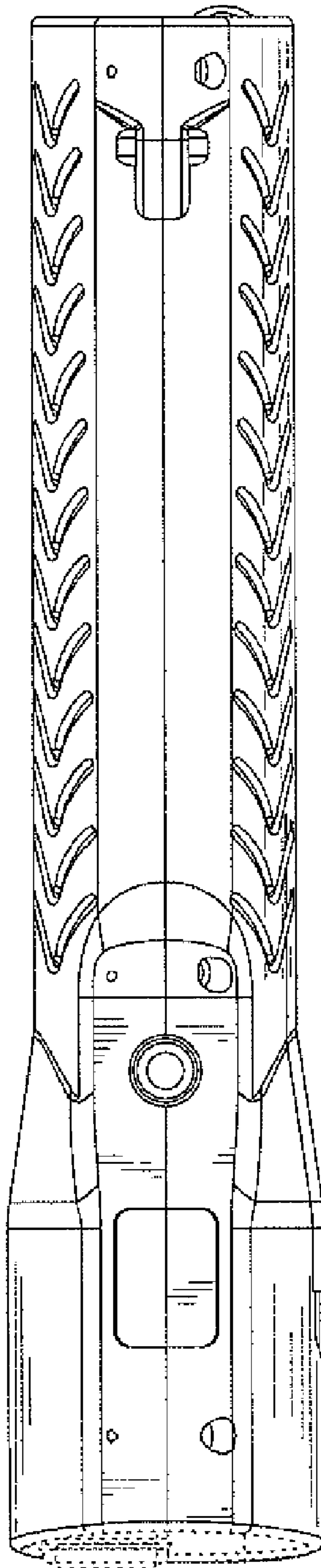


FIG. 7