

US00D599874S

(12) **United States Design Patent**
Klein

(10) **Patent No.:** **US D599,874 S**

(45) **Date of Patent:** **** Sep. 8, 2009**

(54) **ARROW VANE**

(75) Inventor: **Vern Klein**, Cadillac, MI (US)

(73) Assignee: **The Bohning Company, Ltd**, Lake City, MI (US)

(**) Term: **14 Years**

(21) Appl. No.: **29/296,906**

(22) Filed: **Oct. 31, 2007**

(51) **LOC (9) Cl.** **22-01**

(52) **U.S. Cl.** **D22/107**

(58) **Field of Classification Search** D22/100,
D22/101, 103, 104, 108, 199; D21/572,
D21/573; 42/51, 71.01, 75.01, 75.02, 90,
42/94; 362/110; 33/241; 313/105 R; 89/40.06,
89/37.04, 33.04, 191.01; 124/67, 66, 74
See application file for complete search history.

(56) **References Cited**

U.S. PATENT DOCUMENTS

2,782,036	A *	2/1957	Folberth, Jr. et al.	473/586
3,756,602	A *	9/1973	Carella	473/586
3,815,916	A *	6/1974	Meszaros	473/586
4,003,576	A *	1/1977	Carella	473/586
4,204,307	A *	5/1980	Pfetzing	29/407.09
4,392,654	A *	7/1983	Carella	473/586
4,565,377	A *	1/1986	Troncoso et al.	473/584
4,976,442	A *	12/1990	Treadway	473/570
5,114,107	A *	5/1992	Mahn et al.	248/217.4
5,154,432	A *	10/1992	Saunders	473/578
5,427,385	A *	6/1995	Conrad et al.	473/586
5,439,231	A *	8/1995	Roberts et al.	473/586
D418,191	S *	12/1999	Delmonte	D22/107
6,142,896	A *	11/2000	Simo et al.	473/586
D449,090	S *	10/2001	DelMonte	D22/107
6,958,023	B2 *	10/2005	Simo et al.	473/586
7,485,057	B2 *	2/2009	Afshari	473/586
2005/0159256	A1 *	7/2005	Simo et al.	473/586
2006/0183579	A1 *	8/2006	Afshari	473/586

2006/0293131	A1 *	12/2006	Jirles	473/578
2007/0173359	A1 *	7/2007	Mowery et al.	473/578
2008/0176683	A1 *	7/2008	Marshall	473/586
2008/0287229	A1 *	11/2008	Donahoe	473/570

* cited by examiner

Primary Examiner—T. Chase Nelson

Assistant Examiner—Michael A Pratt

(74) *Attorney, Agent, or Firm*—Gregory Scott Smith

(57) **CLAIM**

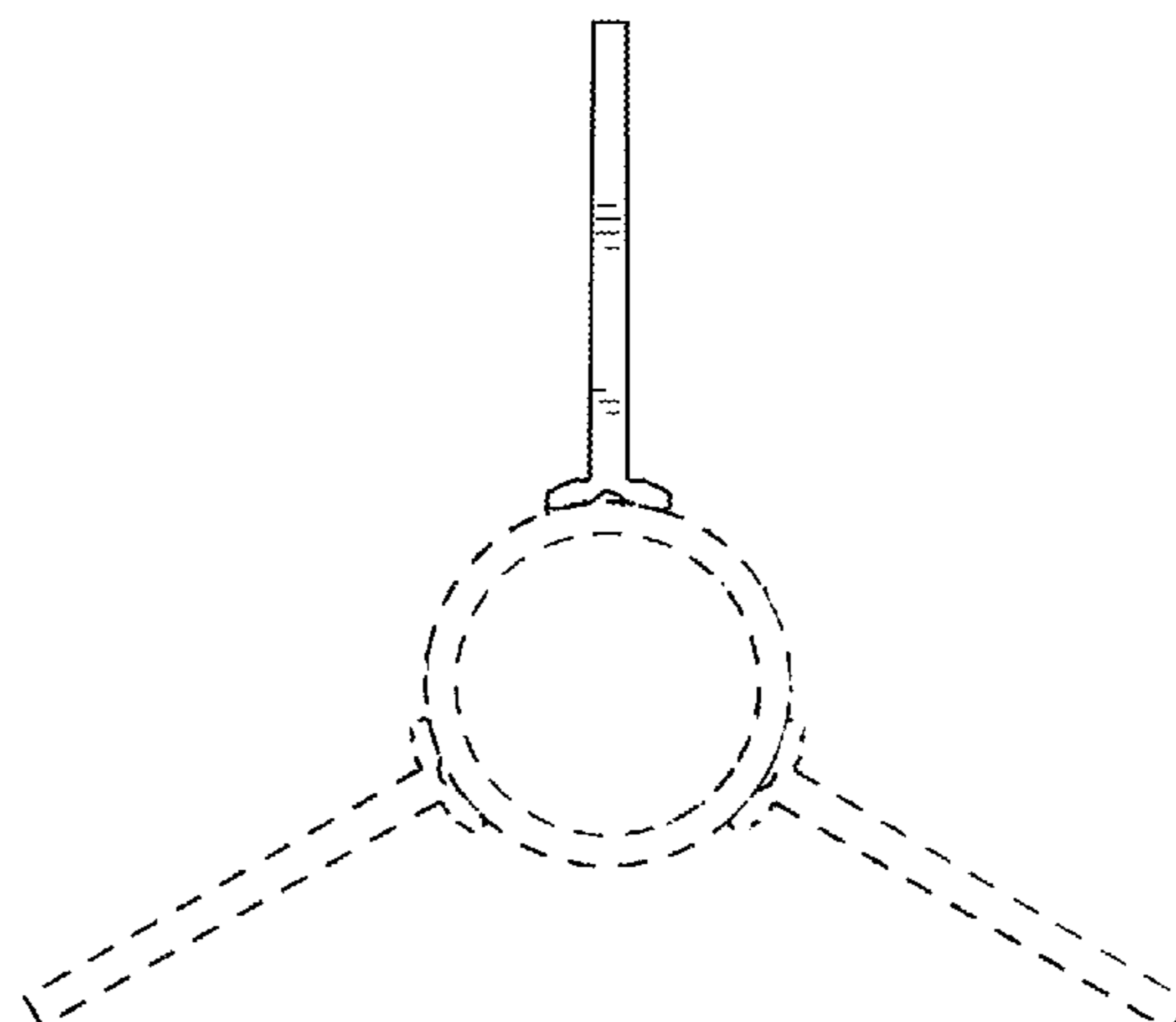
The ornamental design for an arrow vane, as shown and described.

DESCRIPTION

FIG. 1 is a 4X scale front view of the arrow vane;
 FIG. 2 is a perspective view illustrating the arrow vane;
 FIG. 3 is first side perspective view of the arrow vane;
 FIG. 4 is a second side of the arrow vane;
 FIG. 5 is a front side elevation of the arrow vane;
 FIG. 6 is a rear side elevation of the arrow vane;
 FIG. 7 is a 4X scale rear view of the arrow vane;
 FIG. 8 is a 4X scale view of the rear side of the arrow vane;
 FIG. 9 is a front elevation view of the arrow vane;
 FIG. 10 is a rear elevation view of the arrow vane;
 FIG. 11 is a 4X scale view of the second side of the arrow vane;
 FIG. 12 is a 4X scale view of the first side of the arrow vane;
 and,
 FIG. 13 is a 4X scale view of the front side of the arrow vane.

An ornamental arrow vane is claimed and illustrated. The broken lines in the various drawings are used to illustrate environmental, orientation and overall purpose of the claimed invention and are not to be considered as necessary elements of the claim.

1 Claim, 3 Drawing Sheets



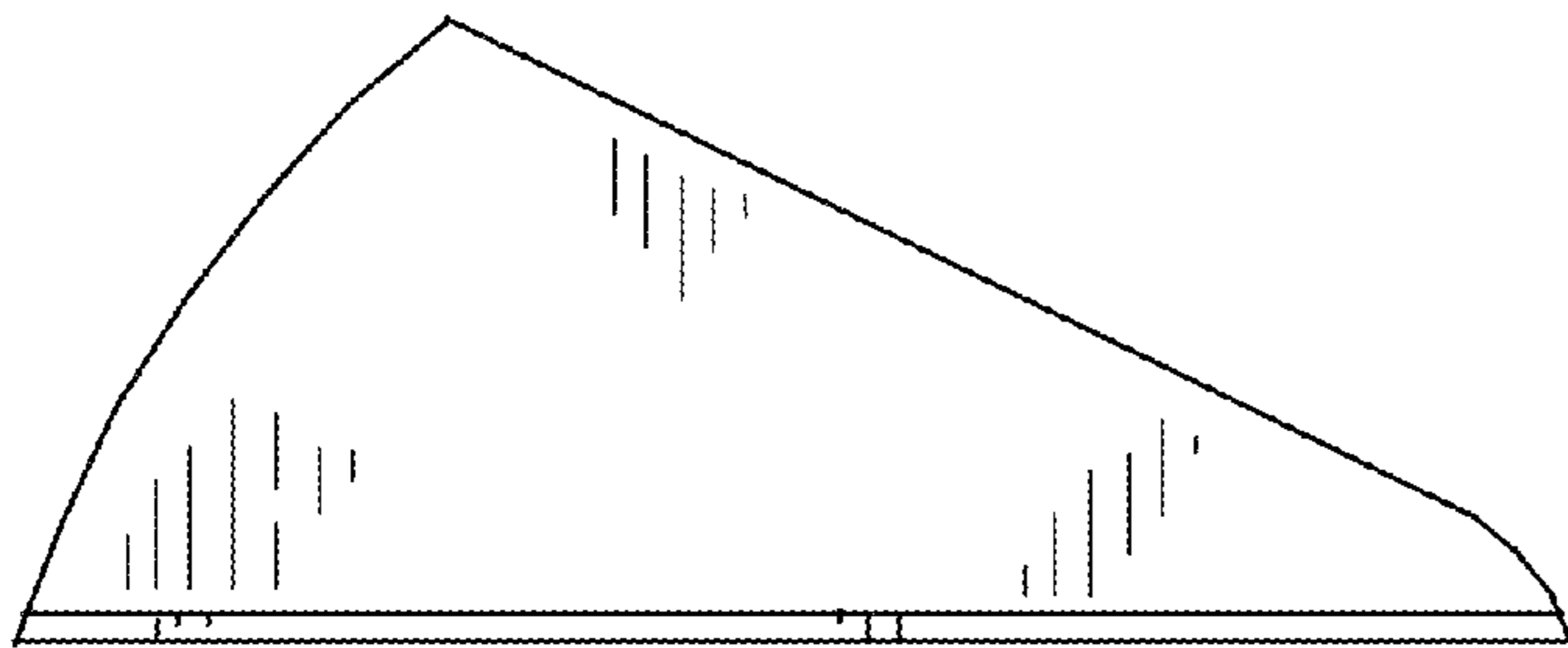


FIG. 11

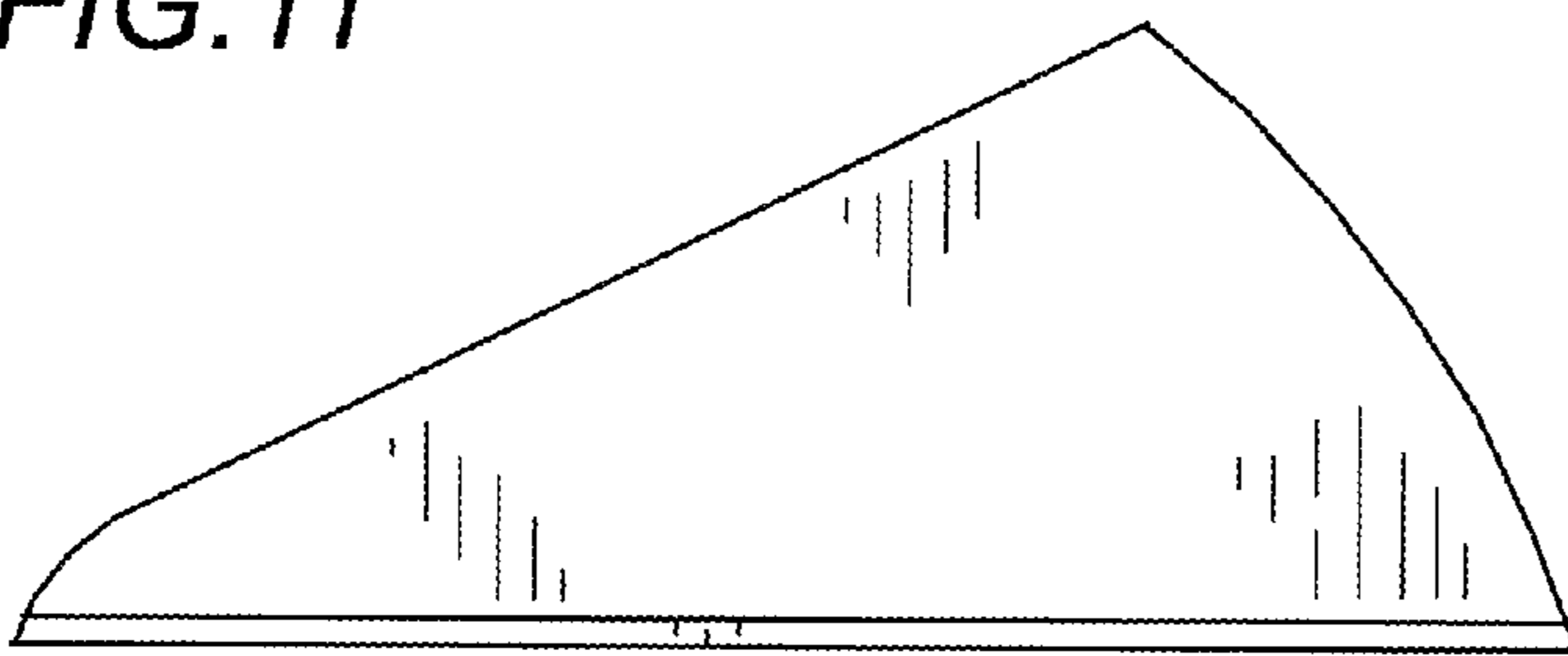


FIG. 12

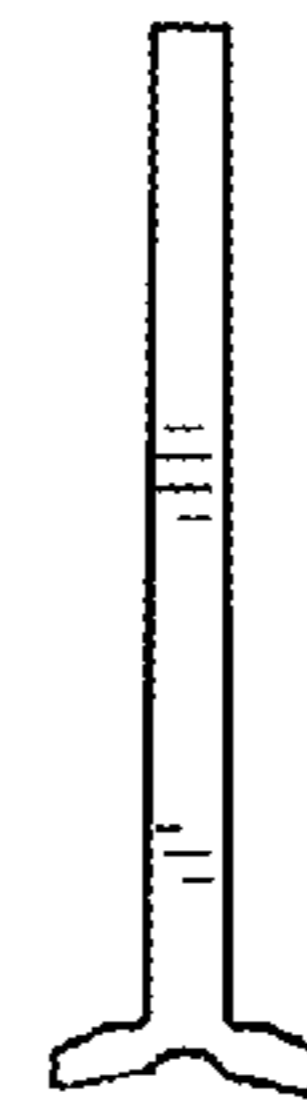


FIG. 13

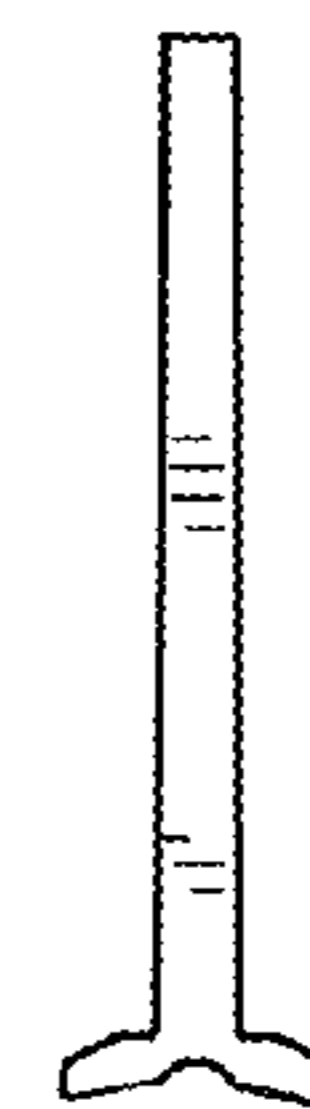


FIG. 8

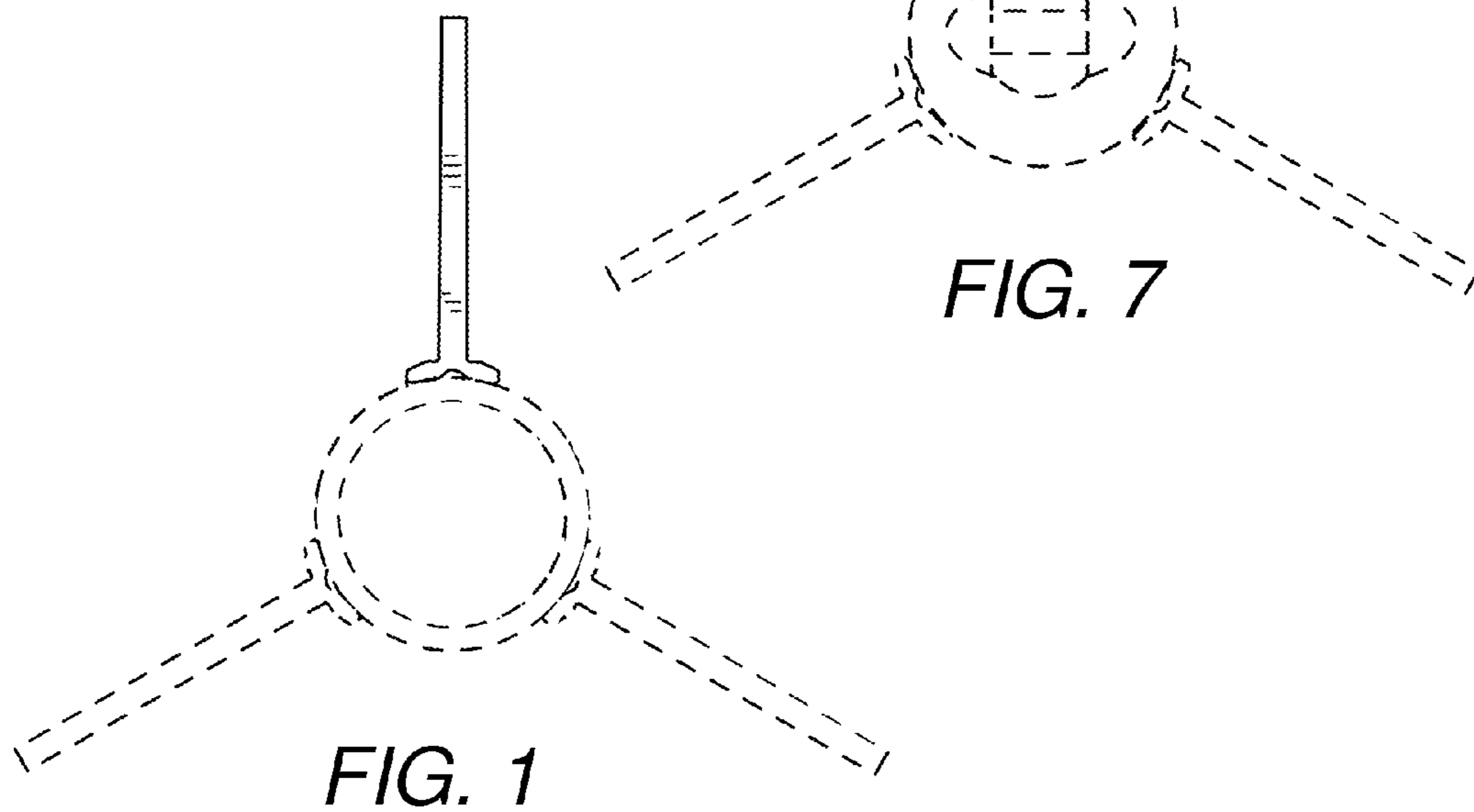


FIG. 1

FIG. 7

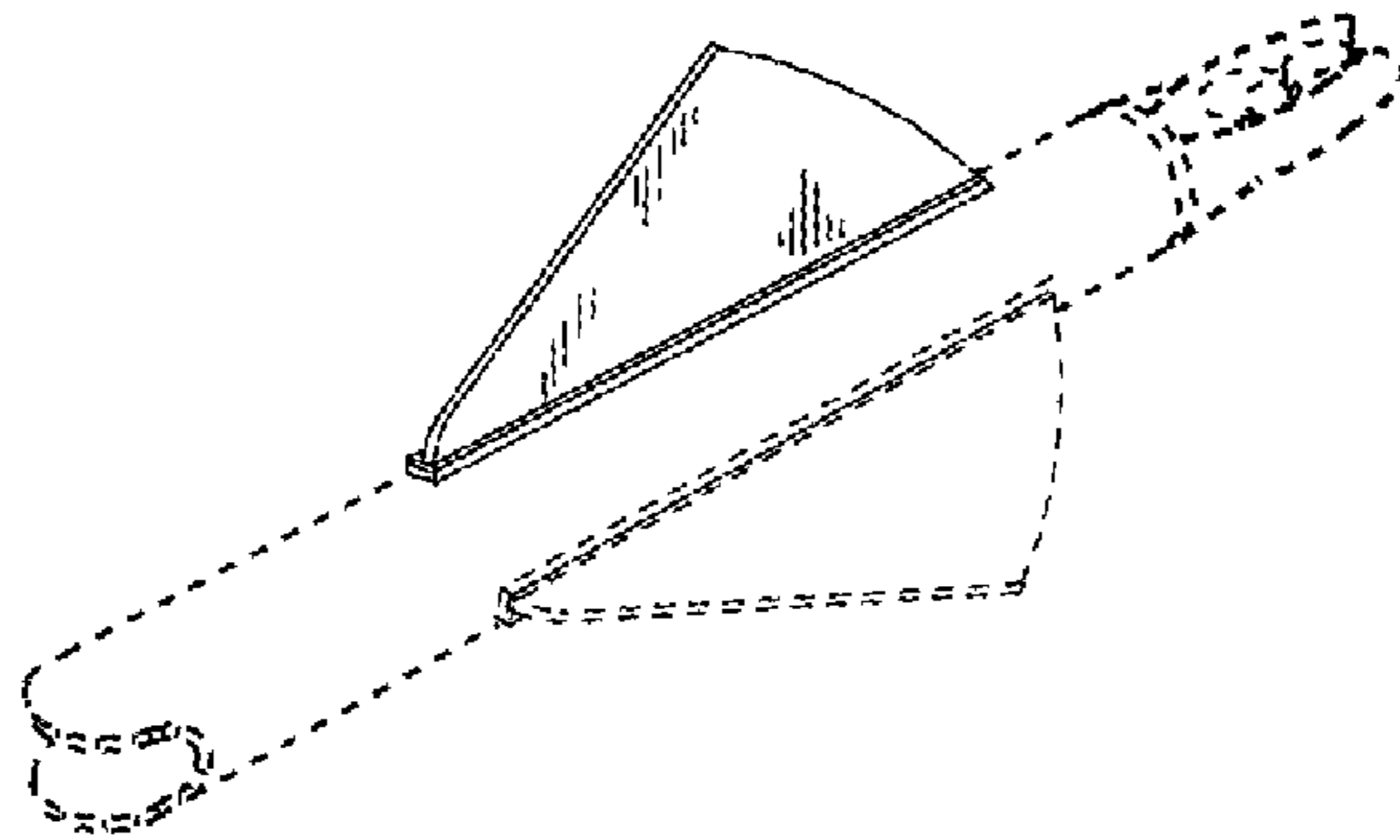


FIG. 2



FIG. 3

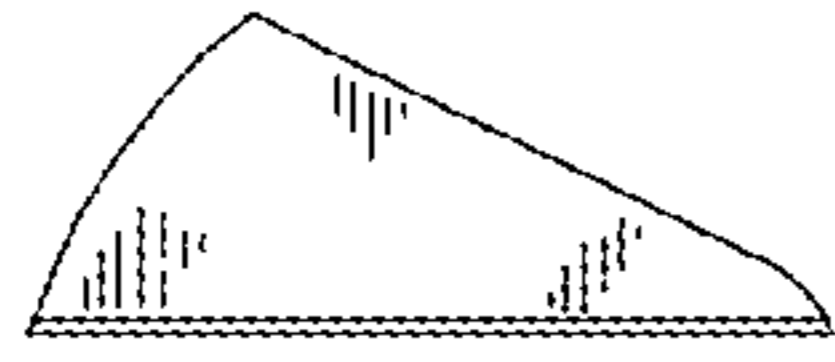


FIG. 4

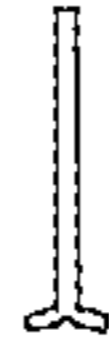


FIG. 5

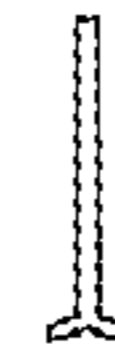


FIG. 6

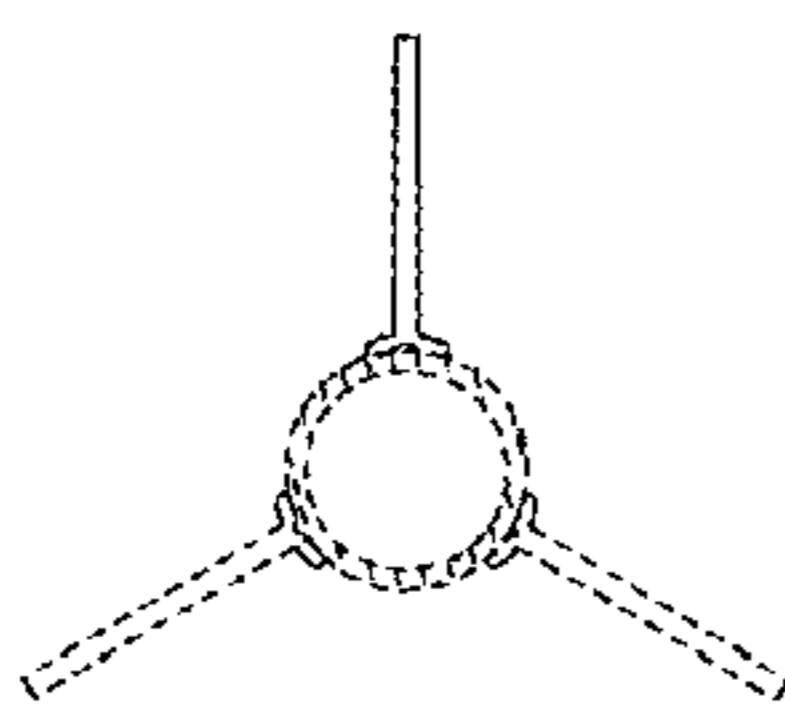


FIG. 9

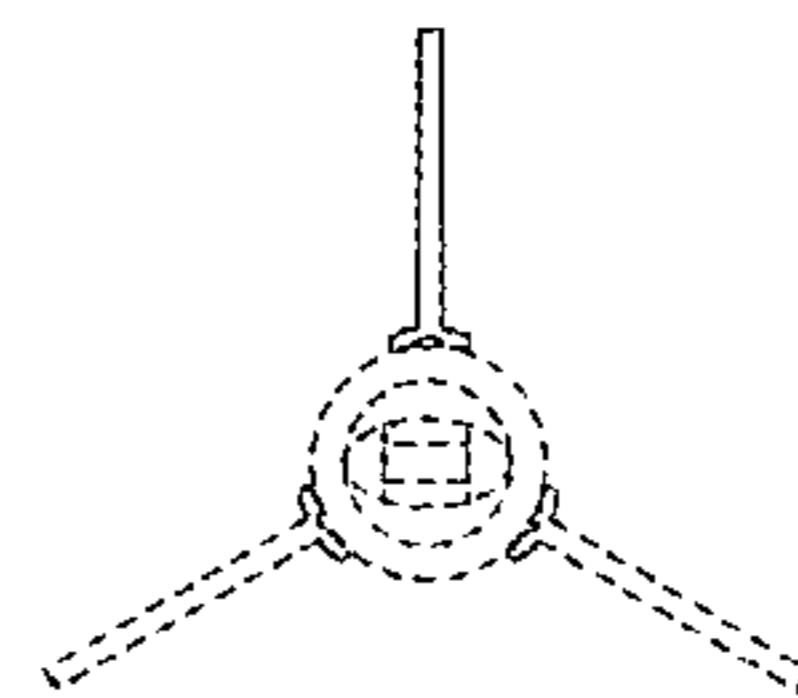


FIG. 10