



US00D599869S

(12) **United States Design Patent**
Serrano et al.

(10) **Patent No.:** **US D599,869 S**
(45) **Date of Patent:** **** Sep. 8, 2009**

(54) **GOLF CLUB HEAD**

Primary Examiner—Mitchell I Siegel

(75) Inventors: **Anthony D. Serrano**, Anthem, AZ (US);
Xiaojian Chen, Phoenix, AZ (US)

(57) **CLAIM**

The ornamental design for a golf club head, as shown and described.

(73) Assignee: **Karsten Manufacturing Corporation**,
Phoenix, AZ (US)

DESCRIPTION

(**) Term: **14 Years**

FIG. 1 is a top perspective view of a golf club head;

(21) Appl. No.: **29/335,811**

FIG. 2 is a bottom perspective view of the golf club head of FIG. 1;

(22) Filed: **Apr. 22, 2009**

FIG. 3 is a front elevational view of the golf club head of FIG. 1;

(51) **LOC (9) Cl.** **21-02**

(52) **U.S. Cl.** **D21/736**

FIG. 4 is a rear elevational view of the golf club head of FIG. 1;

(58) **Field of Classification Search** D21/736-746;
473/324-331, 340-341

FIG. 5 is a top view of the golf club head of FIG. 1;

See application file for complete search history.

FIG. 6 is a bottom view of the golf club head of FIG. 1;

(56) **References Cited**

U.S. PATENT DOCUMENTS

D234,960 S	4/1975	Swash	
D235,668 S	7/1975	Swash	
D281,092 S	10/1985	Mills	
D306,334 S	2/1990	Alcala	
D310,115 S	8/1990	Iinuma	
D310,699 S	9/1990	Parente et al.	
D324,895 S	3/1992	Antonious	
D335,315 S	5/1993	Shearer	
D344,564 S	2/1994	Oakleaf	
D349,142 S *	7/1994	Boone	D21/743
D350,581 S *	9/1994	Boone	D21/743
D350,583 S *	9/1994	Boone	D21/743

FIG. 7 is a left side view of the golf club head of FIG. 1;

FIG. 8 is a right side view of the golf club head of FIG. 1;

FIG. 9 is a second embodiment of a top perspective view of a golf club head;

FIG. 10 is a bottom perspective view of the golf club head of FIG. 9;

FIG. 11 is a front elevational view of the golf club head of FIG. 9;

FIG. 12 is a rear elevational view of the golf club head of FIG. 9;

FIG. 13 is a top view of the golf club head of FIG. 9;

FIG. 14 is a bottom view of the golf club head of FIG. 9;

FIG. 15 is a left side view of the golf club head of FIG. 9; and,

FIG. 16 is a right side view of the golf club head of FIG. 9.

The broken lines shown in one or more of the figures are for illustrative purposes only and form no part of the claimed design.

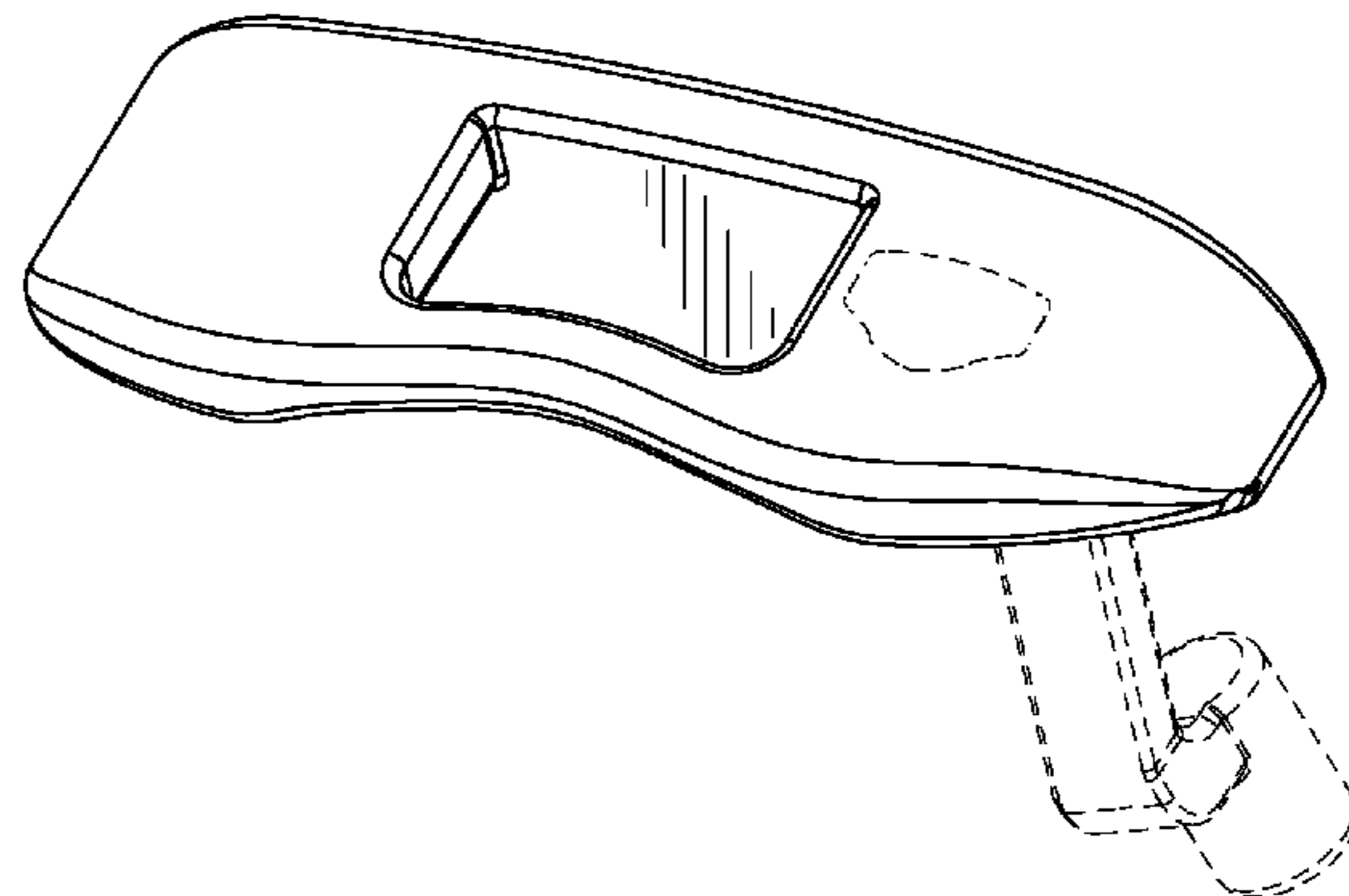
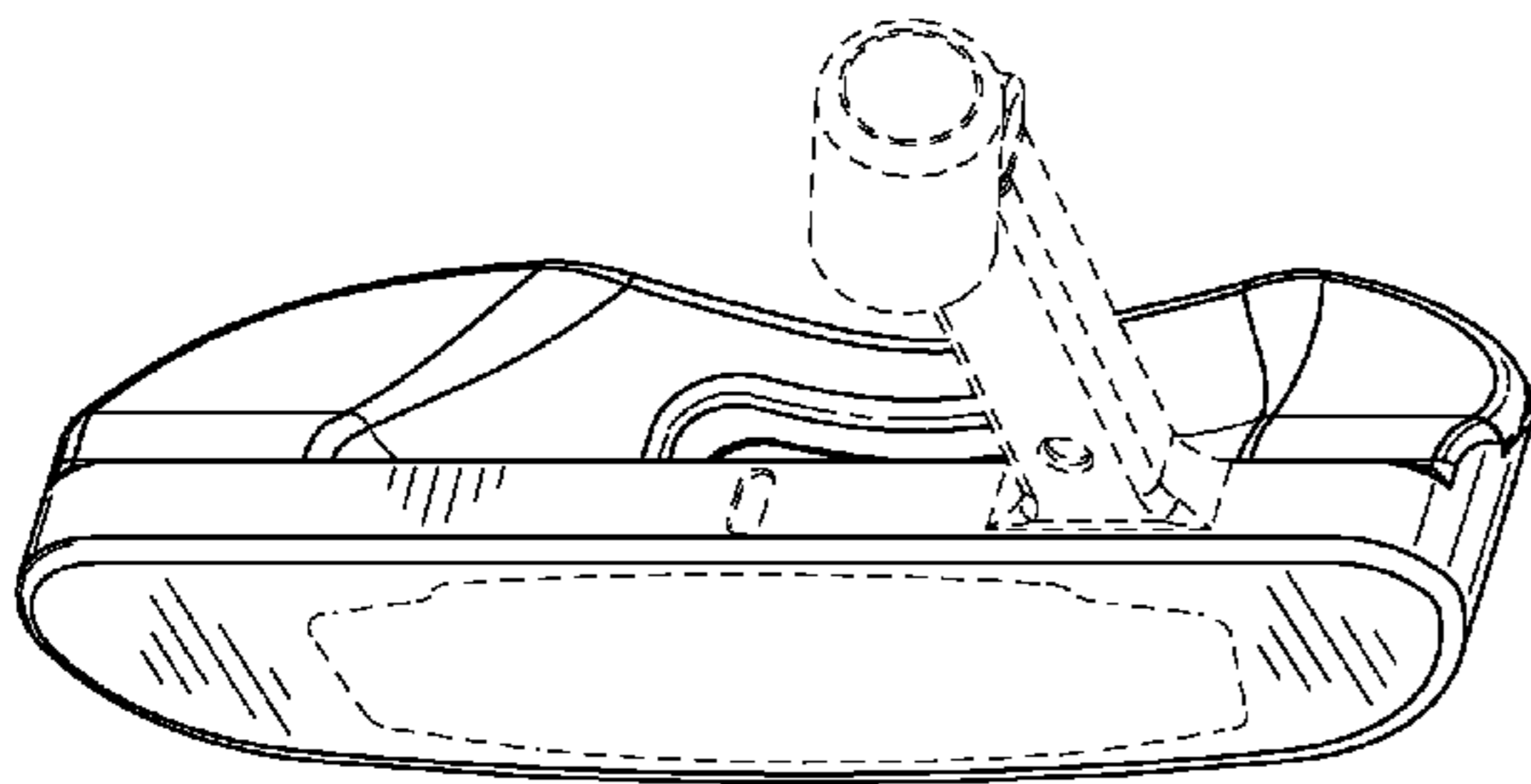
(Continued)

OTHER PUBLICATIONS

Anthony D. Serrano, et al., "Golf Club Head," U.S. Appl. No. 29/335,832, filed Apr. 22, 2009.

(Continued)

1 Claim, 8 Drawing Sheets



U.S. PATENT DOCUMENTS

D372,752 S	8/1996	Raudman	D548,296 S	8/2007	Rollinson
D385,935 S	11/1997	Cameron	7,255,650 B2	8/2007	Braynt et al.
D396,080 S	7/1998	Bottema	D551,310 S	9/2007	Kuan et al.
D399,274 S	10/1998	Bradford	D552,197 S	10/2007	Wells et al.
D410,267 S	5/1999	Solheim et al.	D552,697 S	10/2007	Johnson
D426,599 S	6/2000	Morgan et al.	D553,207 S	10/2007	Johnson
D438,273 S	2/2001	Sizemore, Jr.	D560,263 S	1/2008	Rubino
D445,861 S	7/2001	Mills	D564,606 S	3/2008	Oldknow et al.
D445,865 S	7/2001	Mills	D564,612 S	3/2008	Oldknow et al.
D449,085 S	10/2001	Breier et al.	D565,137 S	3/2008	Oldknow et al.
D474,253 S	5/2003	Mills	D565,142 S	3/2008	Oldknow et al.
D483,823 S	12/2003	Swist	D565,678 S	4/2008	Cameron
D485,320 S	1/2004	Breier et al.	D570,934 S	6/2008	Ban et al.
D488,526 S	4/2004	Souza et al.	D570,943 S	6/2008	Chen et al.
D499,782 S	12/2004	Stites et al.	D571,877 S	6/2008	Jones et al.
D500,109 S	12/2004	Solheim et al.	D571,878 S	6/2008	Jones et al.
D500,110 S	12/2004	Solheim et al.	D571,879 S	6/2008	Jones et al.
D501,233 S	1/2005	Thomas	D571,886 S	6/2008	Stites et al.
6,837,801 B1	1/2005	Souza et al.	D572,789 S	7/2008	Stites et al.
6,893,355 B2	5/2005	Souza et al.	D574,457 S	8/2008	Stites et al.
D506,237 S	6/2005	Byrne et al.	D574,906 S	8/2008	Jones et al.
D507,612 S	7/2005	Souza et al.	D574,907 S	8/2008	Jones et al.
D508,546 S	8/2005	Oldknow	D574,909 S	8/2008	Jones et al.
6,926,615 B1	8/2005	Souza et al.	D574,910 S	8/2008	Jones et al.
6,960,140 B2	11/2005	Solheim et al.	D574,911 S	8/2008	Jones et al.
6,968,645 B2	11/2005	Epps et al.	D574,912 S	8/2008	Jones et al.
D513,050 S	12/2005	Grimaldo	7,407,443 B2	8/2008	Franklin et al.
D515,646 S	2/2006	Perry	D578,593 S	10/2008	Oldknow et al.
D520,583 S	5/2006	Rollinson et al.	D578,594 S	10/2008	Oldknow et al.
D520,584 S	5/2006	Karlsen	D579,505 S	10/2008	Jones
D521,582 S	5/2006	Souza et al.	7,452,283 B2	11/2008	Hettinger et al.
7,052,411 B2	5/2006	Solheim et al.	7,455,599 B2	11/2008	Jones
D522,598 S	6/2006	Solheim et al.	D583,003 S	12/2008	Solheim et al.
D523,102 S	6/2006	Stites et al.	D584,780 S	1/2009	Ines et at.
D524,887 S	7/2006	Jones et al.	D587,325 S	2/2009	Solheim et al.
D525,328 S	7/2006	Solheim et al.	2006/0116216 A1	6/2006	Sorenson
D525,329 S	7/2006	Jones et al.	2007/0021230 A1	1/2007	Haack
D527,433 S	8/2006	Hueber	2007/0135232 A1	6/2007	Billings
7,086,957 B2	8/2006	Solheim et al.	2008/0293514 A1	11/2008	Franklin et al.
D527,777 S	9/2006	Solheim et al.	2009/0029800 A1	1/2009	Jones et al.
D529,109 S	9/2006	Jones			
7,112,147 B2	9/2006	Solheim et al.			
D529,560 S	10/2006	Madore			
D529,564 S	10/2006	Grace			
D532,066 S	11/2006	Tang			
D532,842 S	11/2006	Jones et al.			
D532,843 S	11/2006	Jones et al.			
D533,243 S	12/2006	Fife, Jr. et al.			
D533,609 S	12/2006	Moore et al.			
D534,978 S	1/2007	Rollinson et al.			
D537,135 S	2/2007	Rollinson et al.			
D538,364 S	3/2007	Frame et al.			
D540,411 S	4/2007	Bradford et al.			
D540,897 S	4/2007	Oldknow et al.			
D541,362 S	4/2007	Oldknow			
D542,871 S	5/2007	Oldknow			
D542,873 S	5/2007	Oldknow			
D545,385 S	6/2007	Tang et al.			
7,235,021 B2	6/2007	Solheim et al.			
D547,405 S	7/2007	Serrano et al.			
D548,294 S	8/2007	Nguyen et al.			
D548,295 S	8/2007	Jertson et al.			

OTHER PUBLICATIONS

Anthony D. Serrano, et al., "Golf Club Head," U.S. Appl. No. 29/335,828, filed Apr. 22, 2009.
 Anthony D. Serrano, et al., "Golf Club Head," U.S. Appl. No. 29/335,827, filed Apr. 22, 2009.
 Anthony D. Serrano, et al., "Golf Club Head," U.S. Appl. No. 29/335,825, filed Apr. 22, 2009.
 Anthony D. Serrano, et al., "Golf Club Head," U.S. Appl. No. 29/335,808, filed Apr. 22, 2009.
 Anthony D. Serrano, et al., "Golf Club Head," U.S. Appl. No. 29/335,806, filed Apr. 22, 2009.
 Anthony D. Serrano, et al., "Golf Club Head," U.S. Appl. No. 29/335,797, filed Apr. 22, 2009.
 Anthony D. Serrano, et al., "Badge for a Golf Club Head," U.S. Appl. No. 29/335,796, filed Apr. 22, 2009.
 Solheim, et al., "Golf Club Head with Three-Dimensional Alignment Aid and Method of Manufacture," U.S. Appl. No. 12/164,956, filed Jun. 30, 2008.
 Solheim, et al., "Golf Club Head with a Three-Dimensional Alignment Member and Methods to Manufacture Golf Club Heads," U.S. Appl. No. 12/425,637, filed Apr. 17, 2009.

* cited by examiner

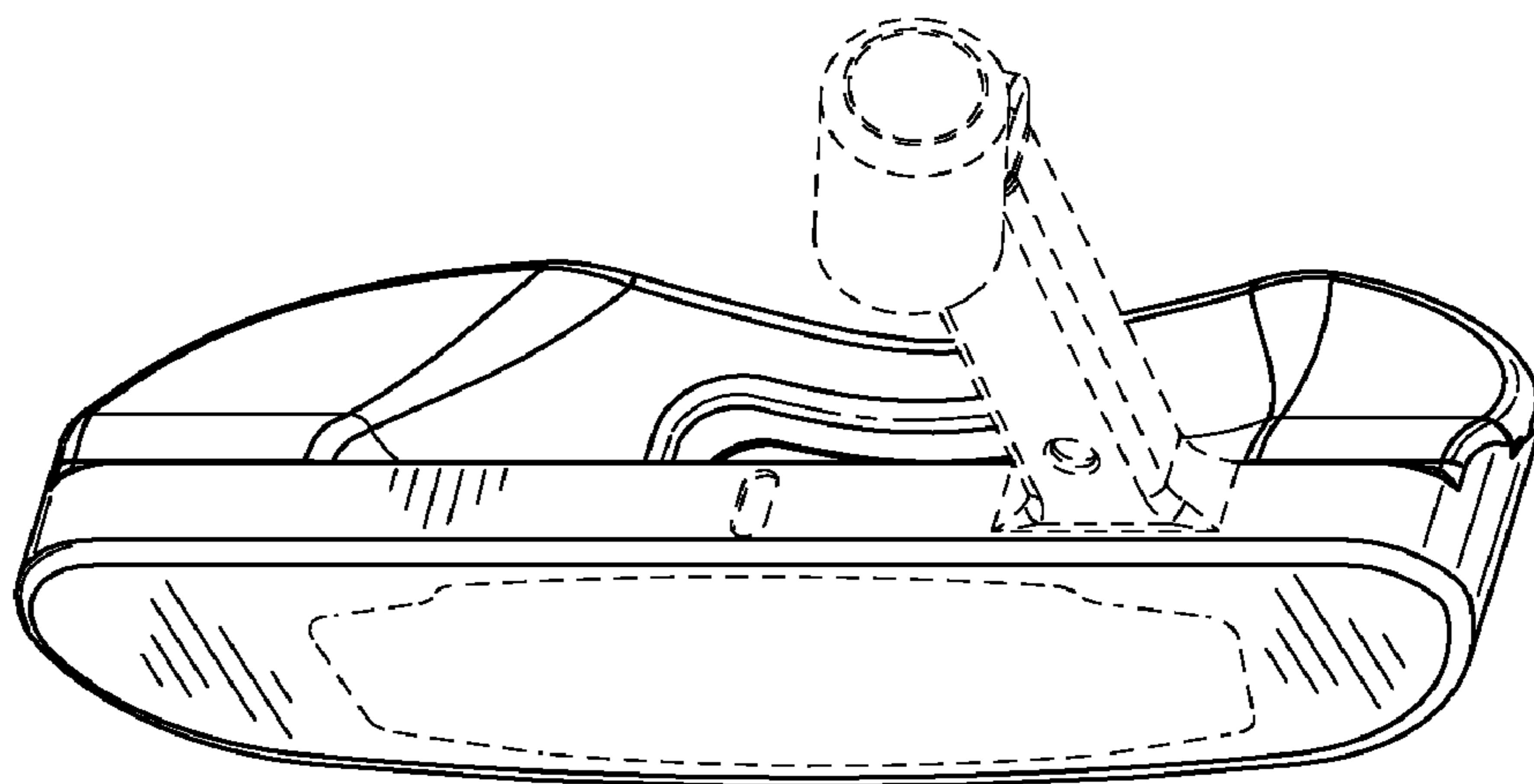


FIG. 1

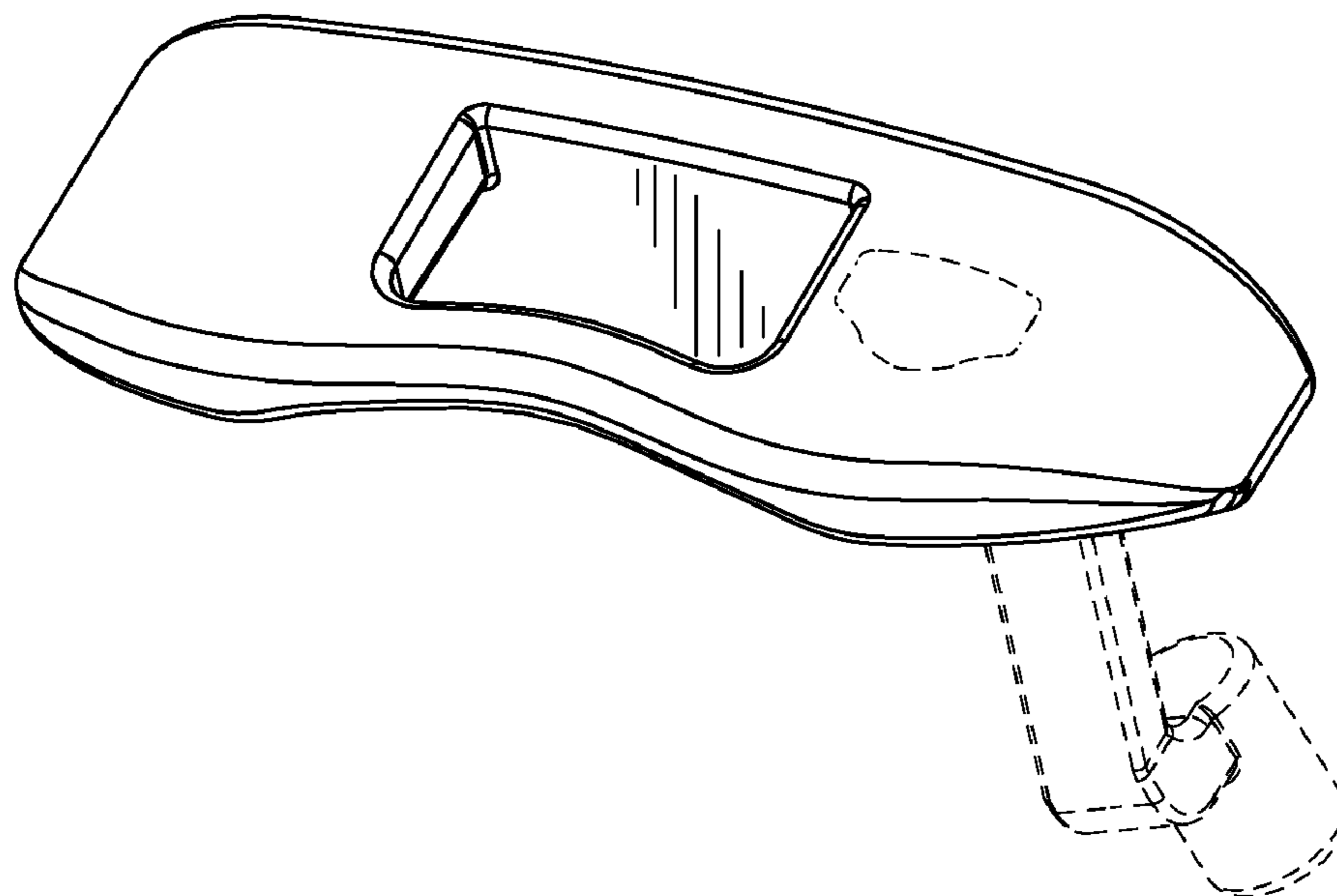


FIG. 2

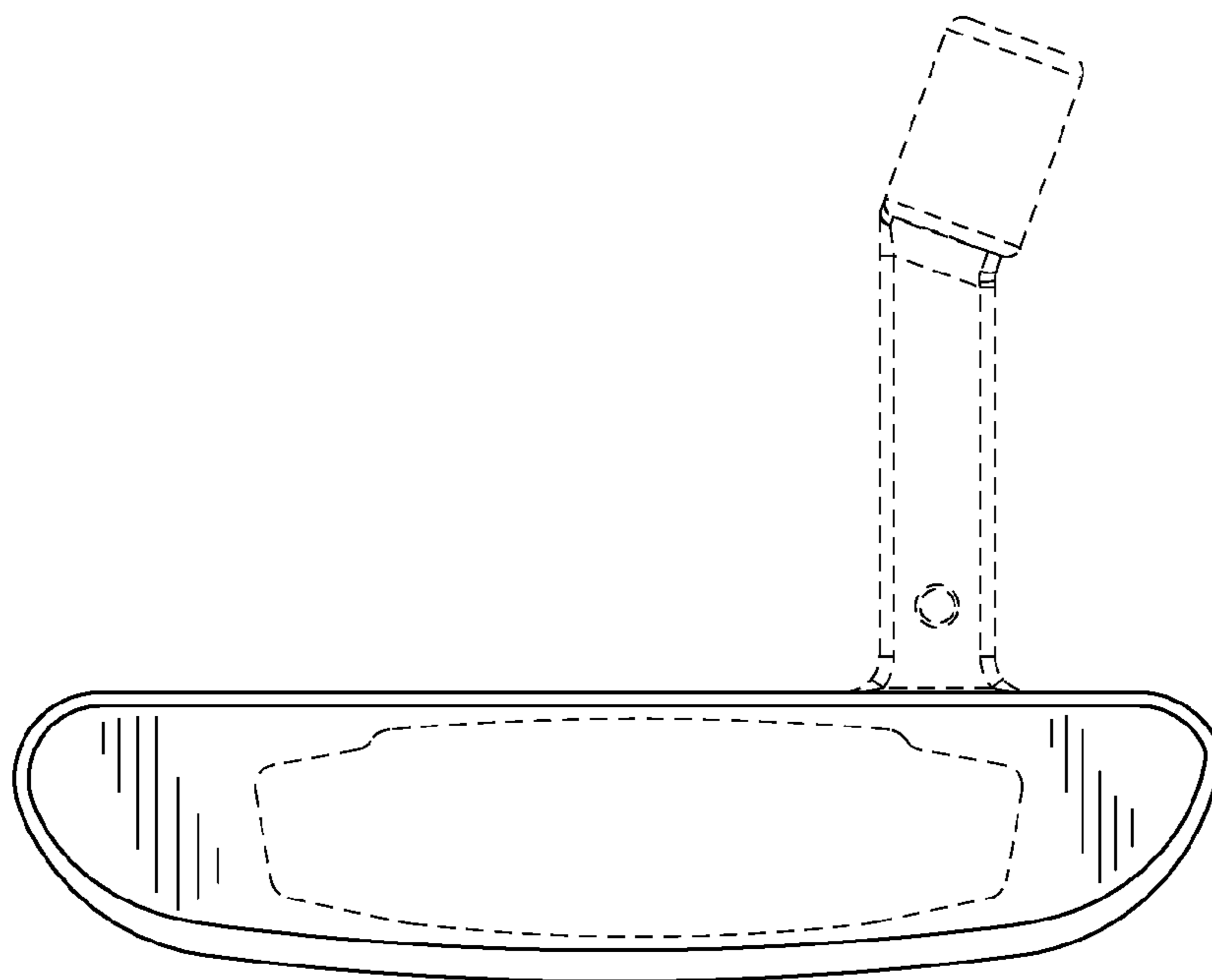


FIG. 3

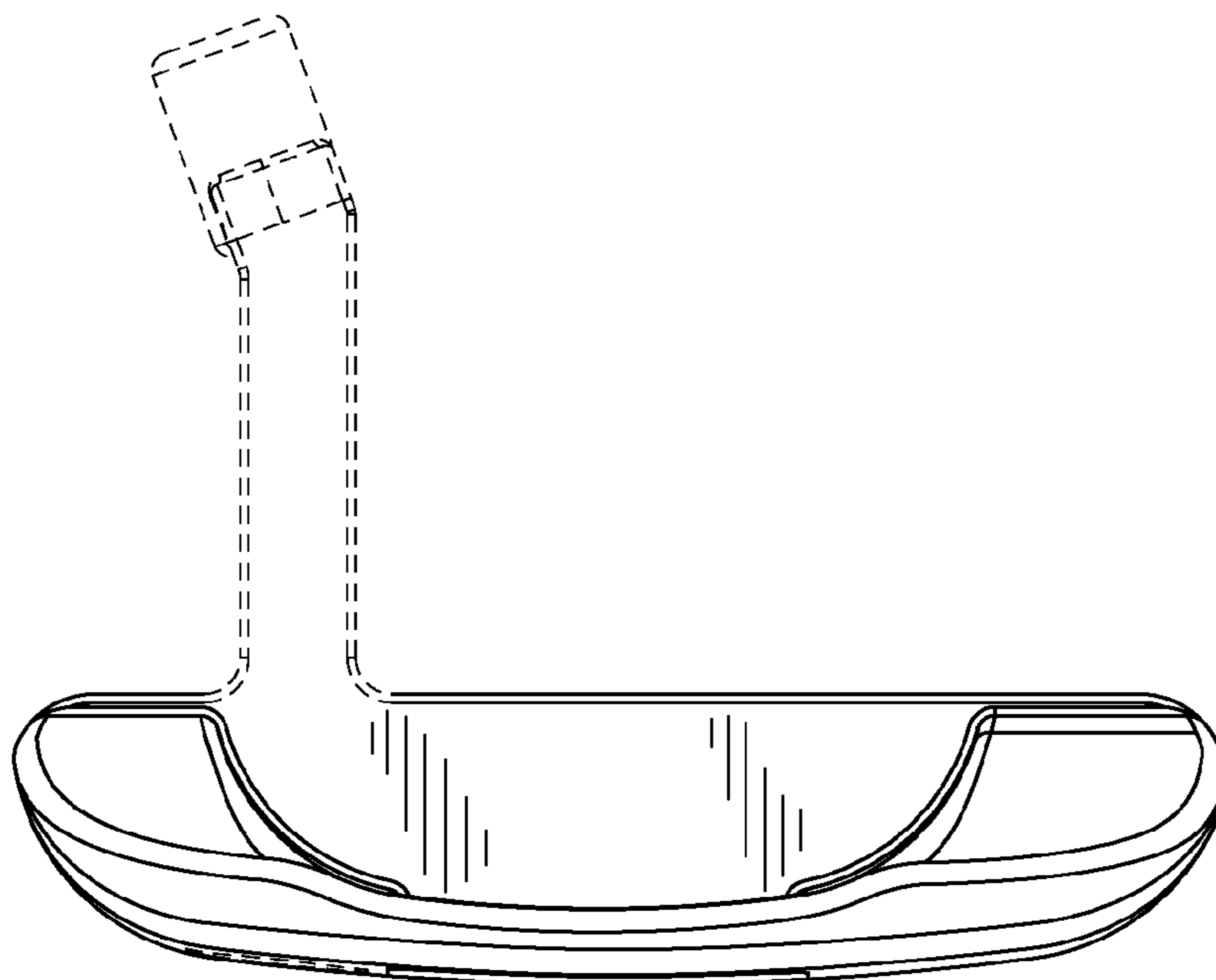


FIG. 4

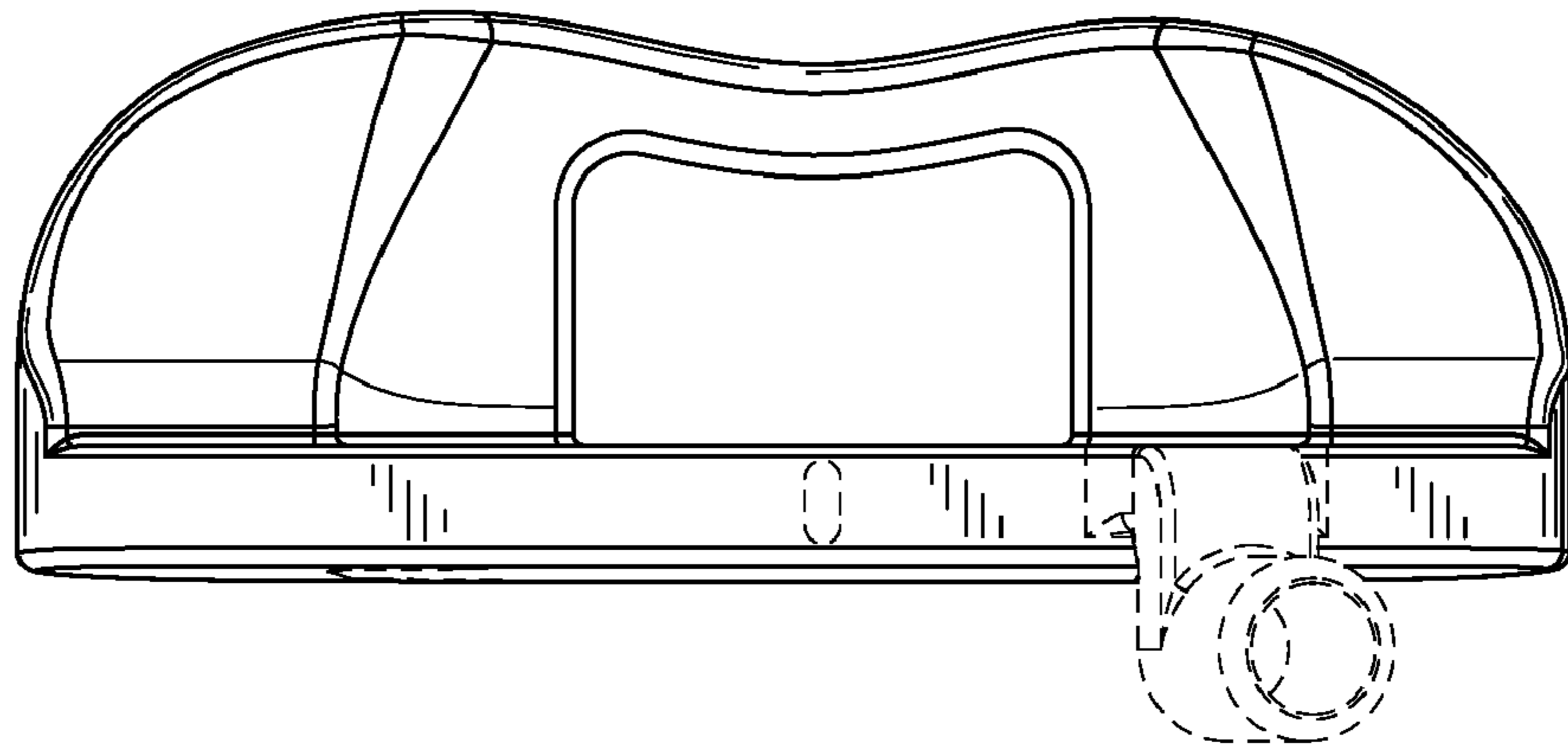


FIG. 5

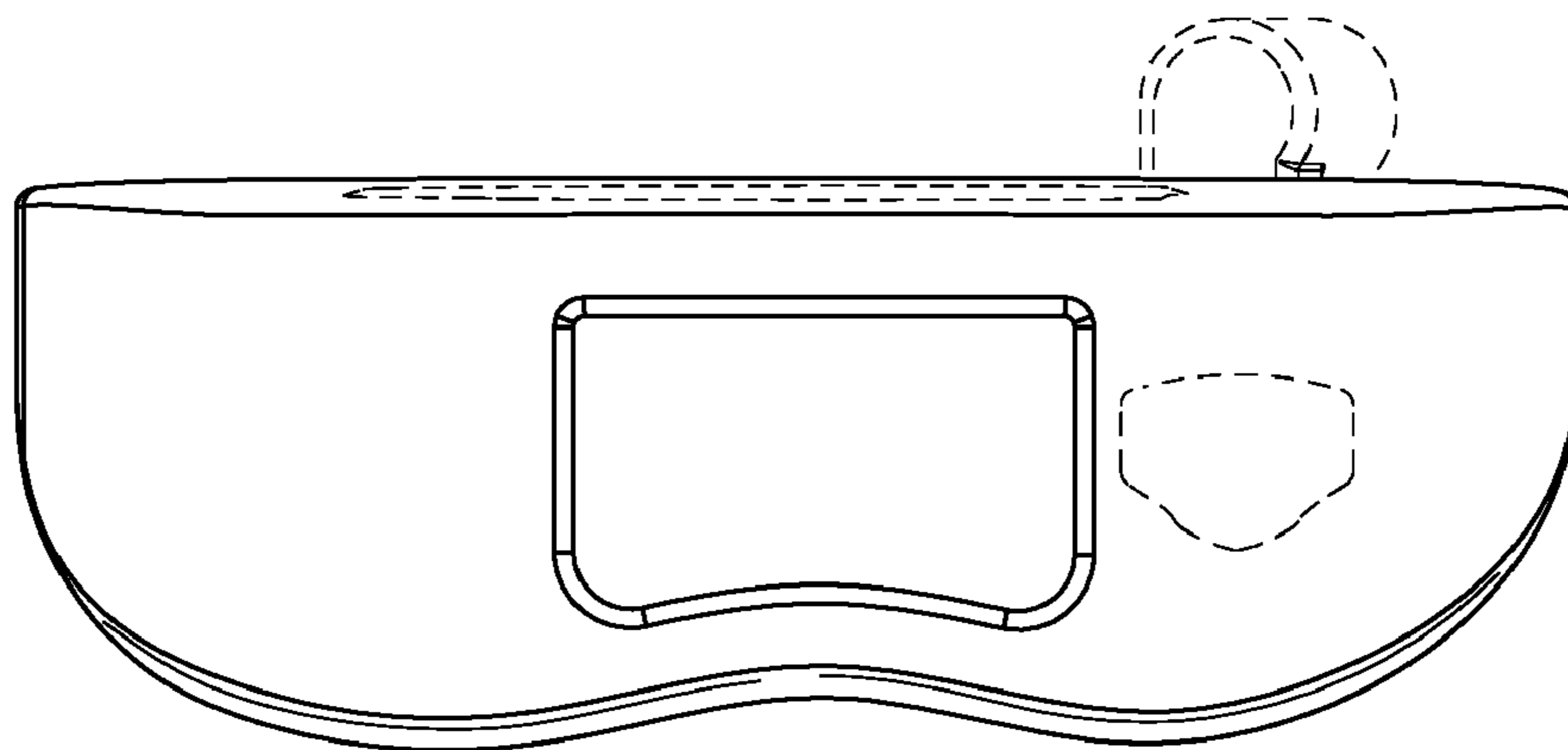


FIG. 6

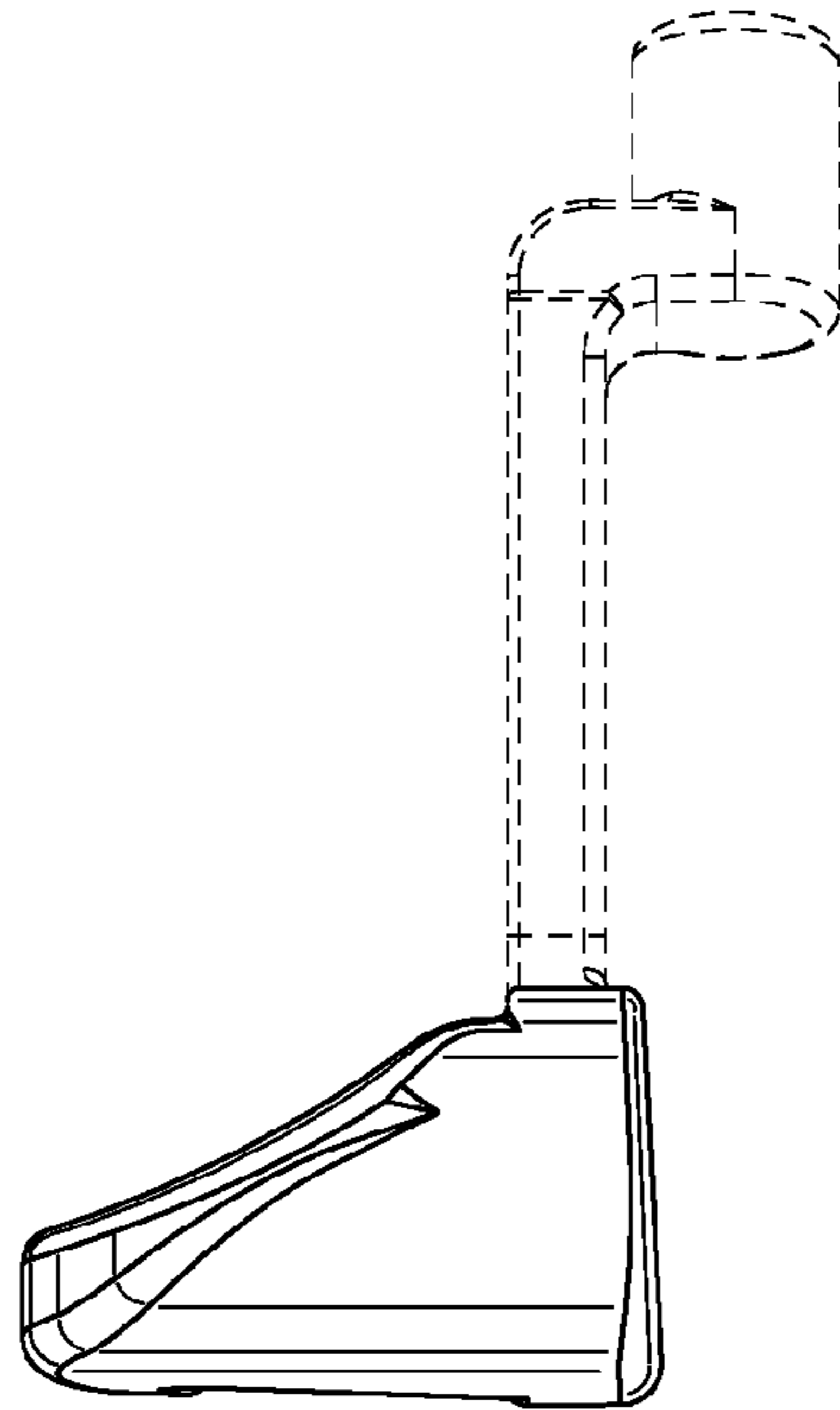


FIG. 7

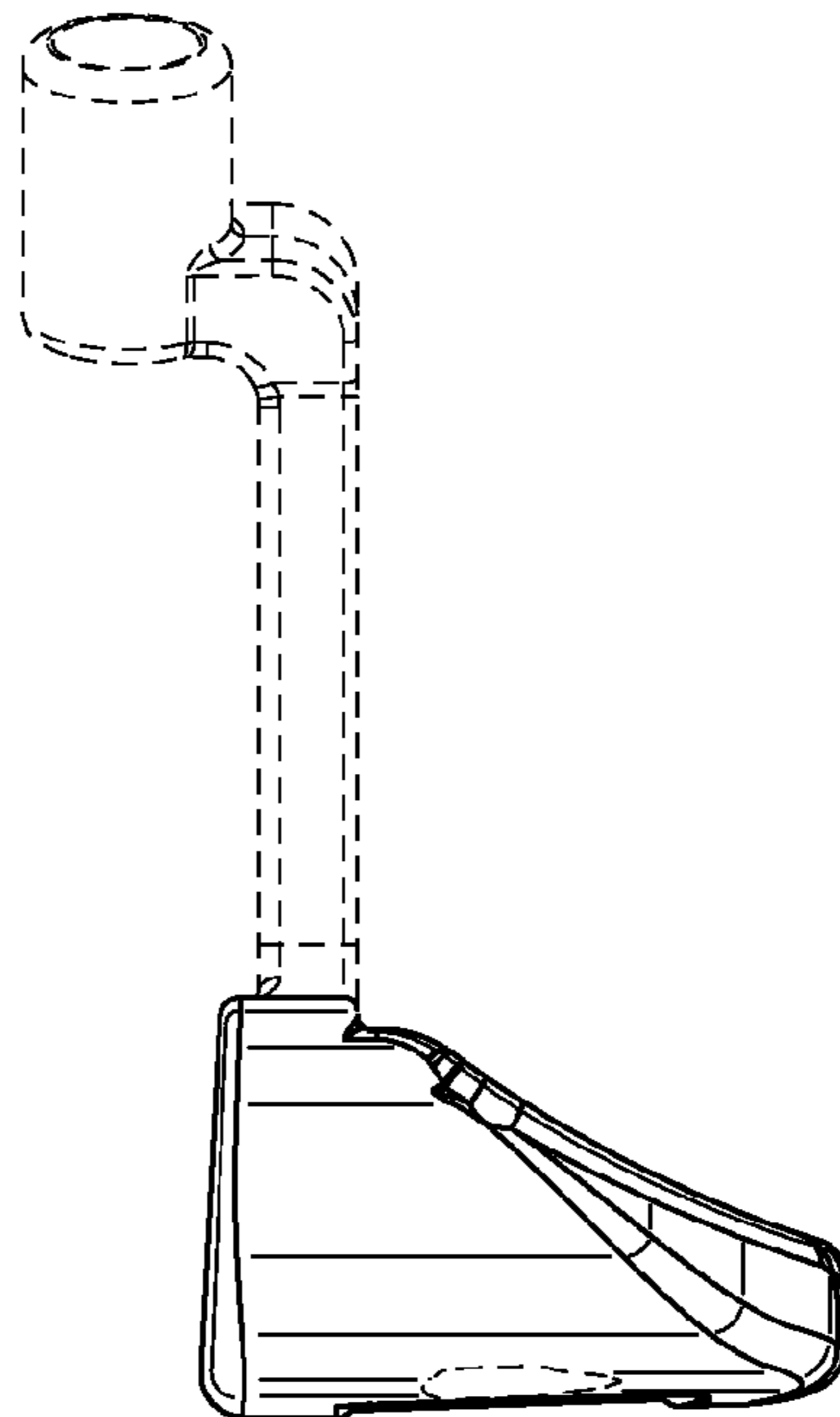


FIG. 8

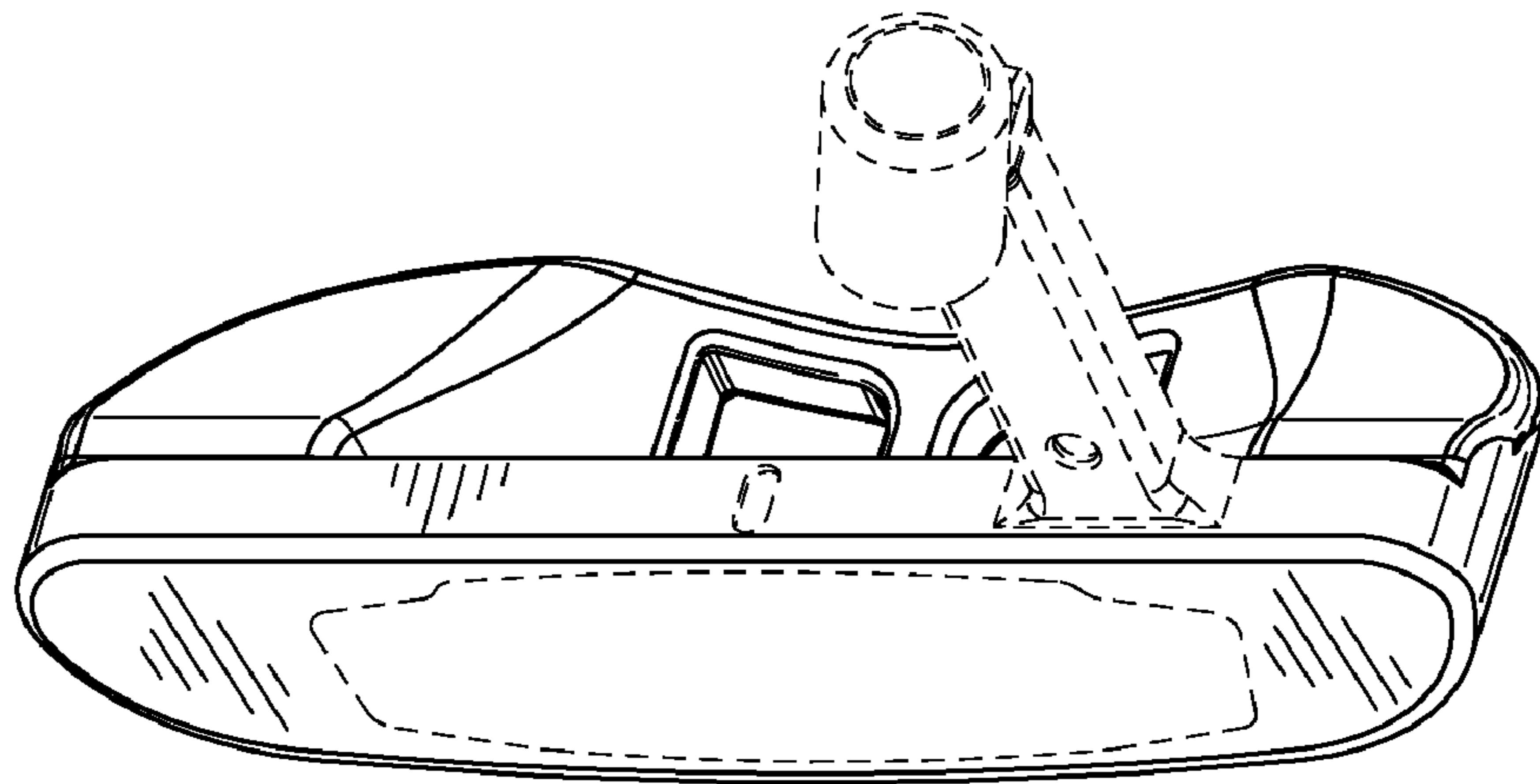


FIG. 9

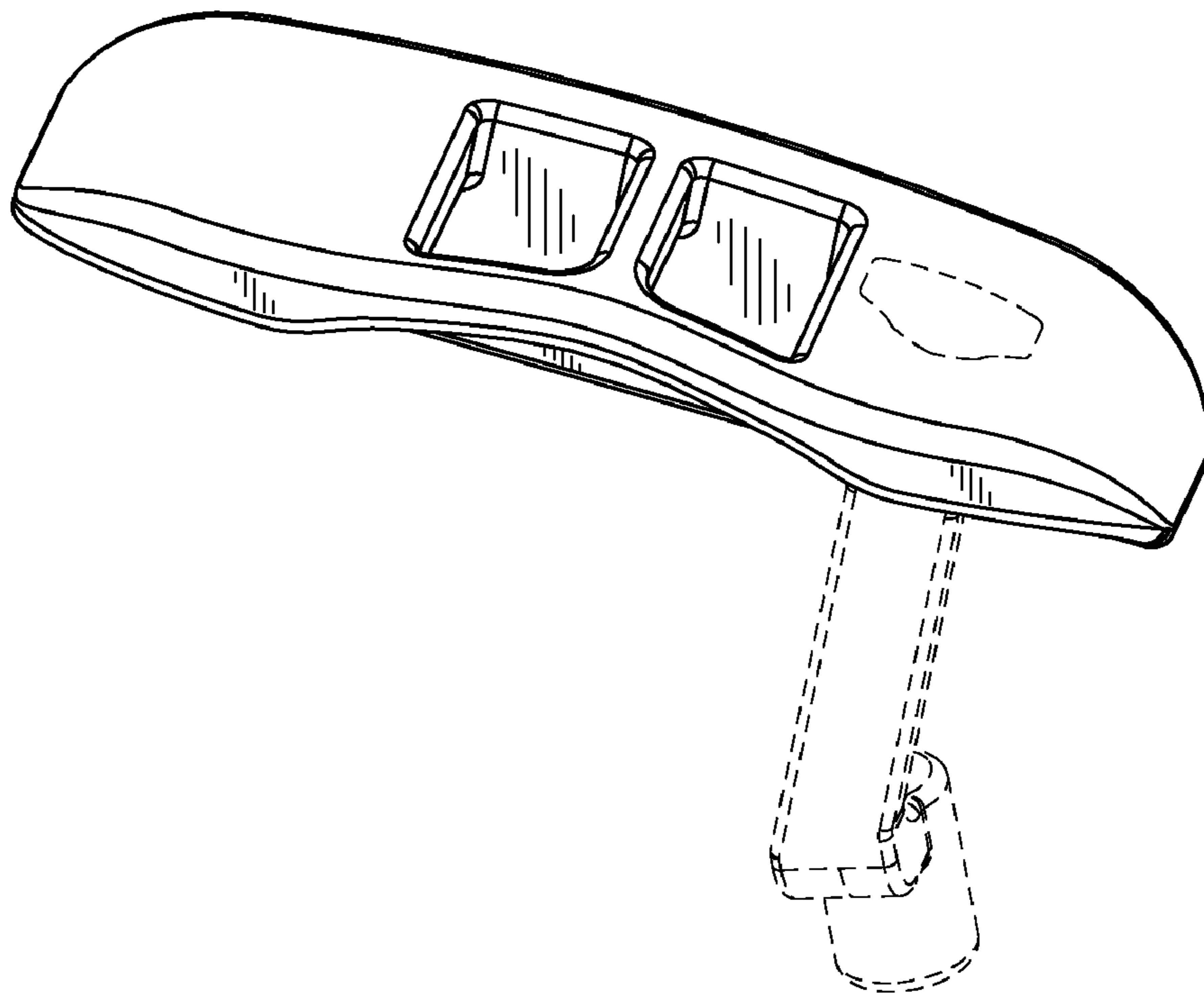


FIG. 10

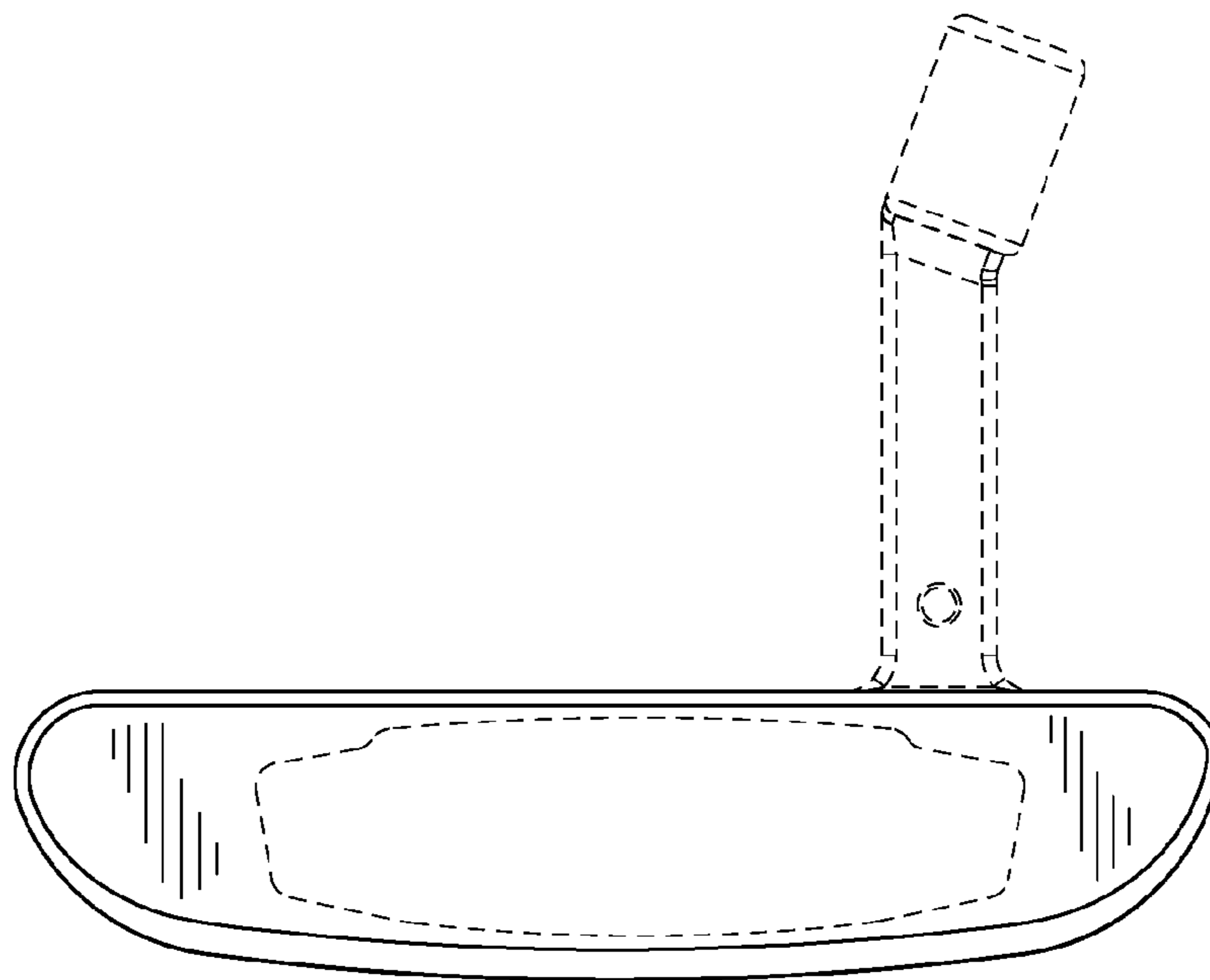


FIG. 11

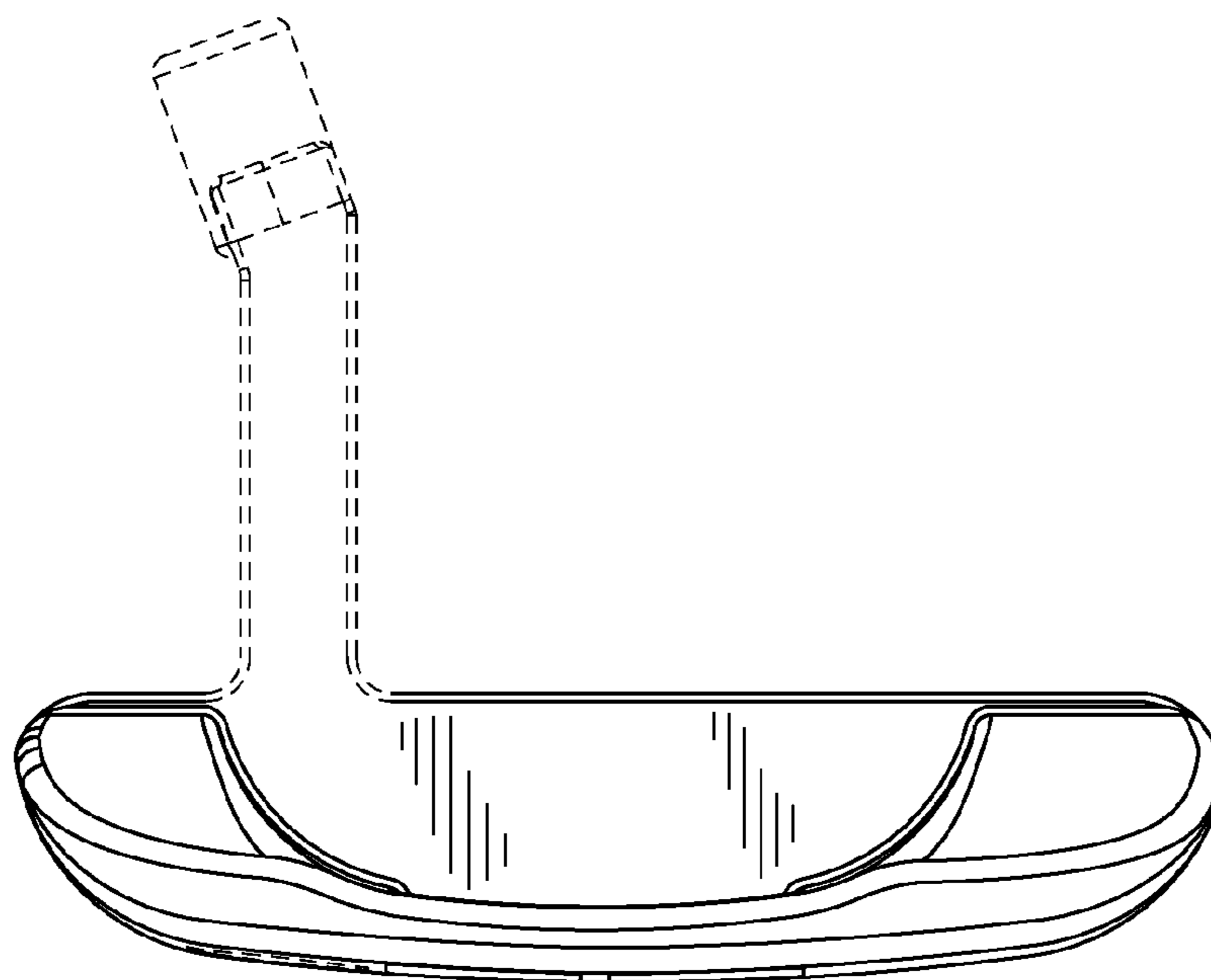


FIG. 12

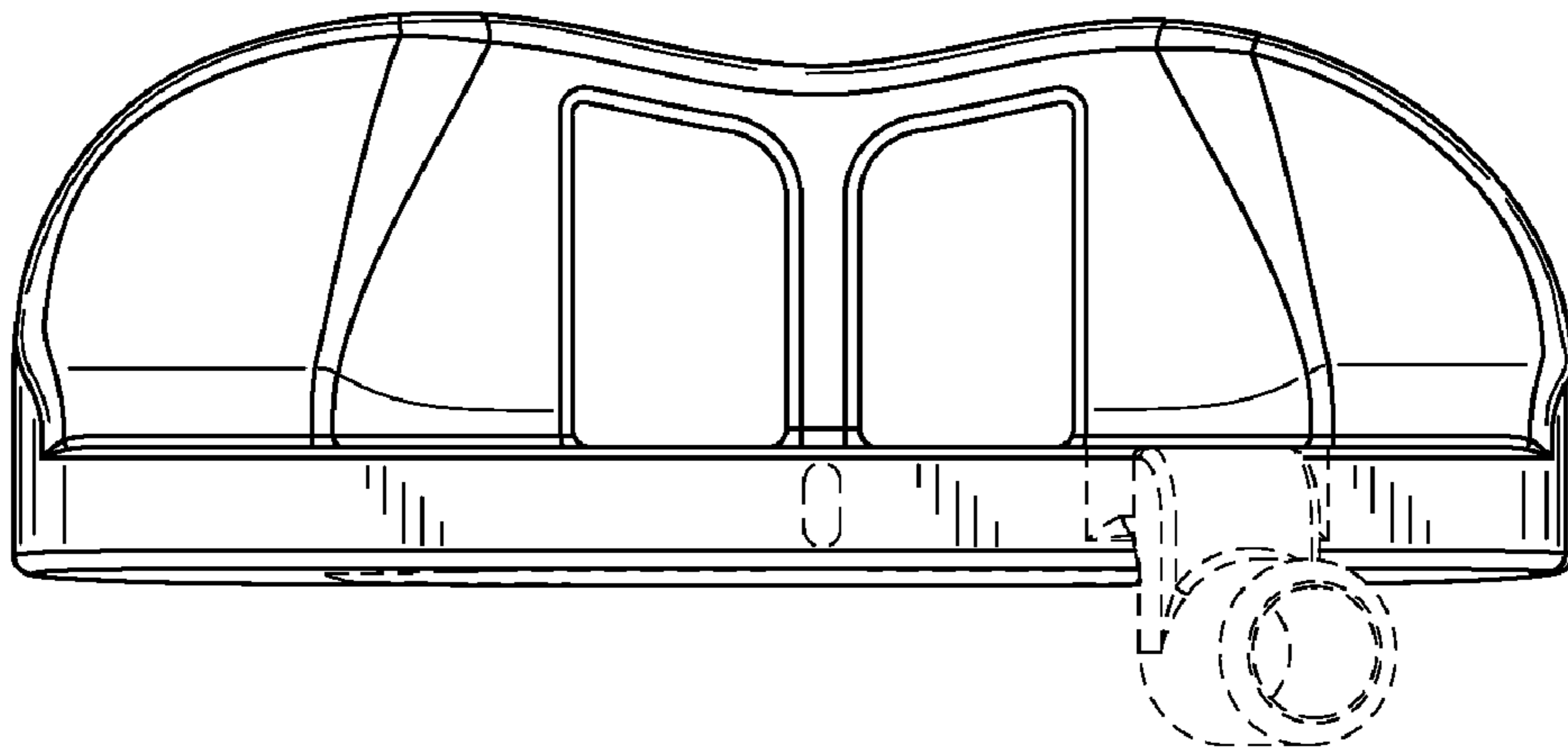


FIG. 13

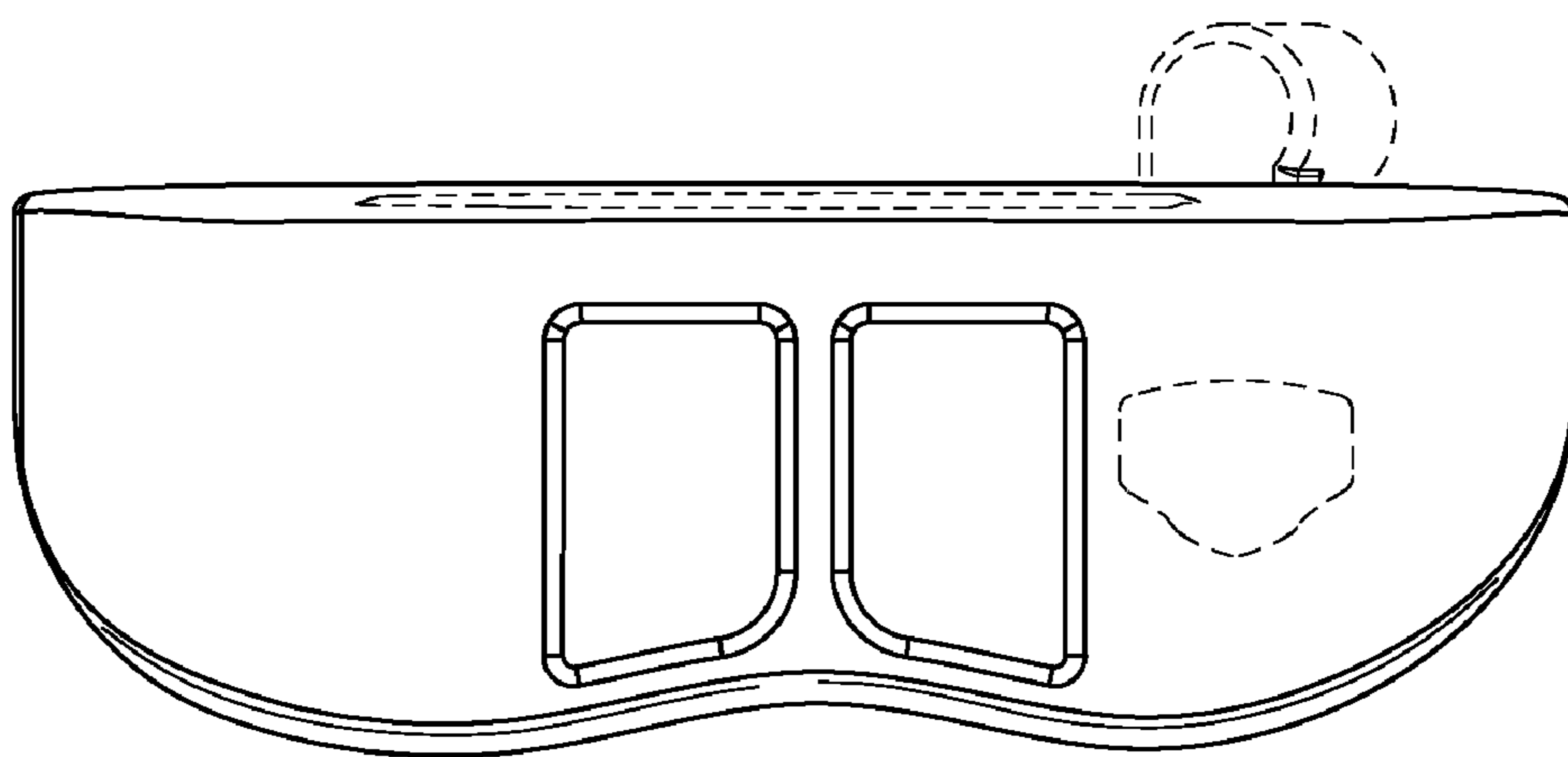


FIG. 14

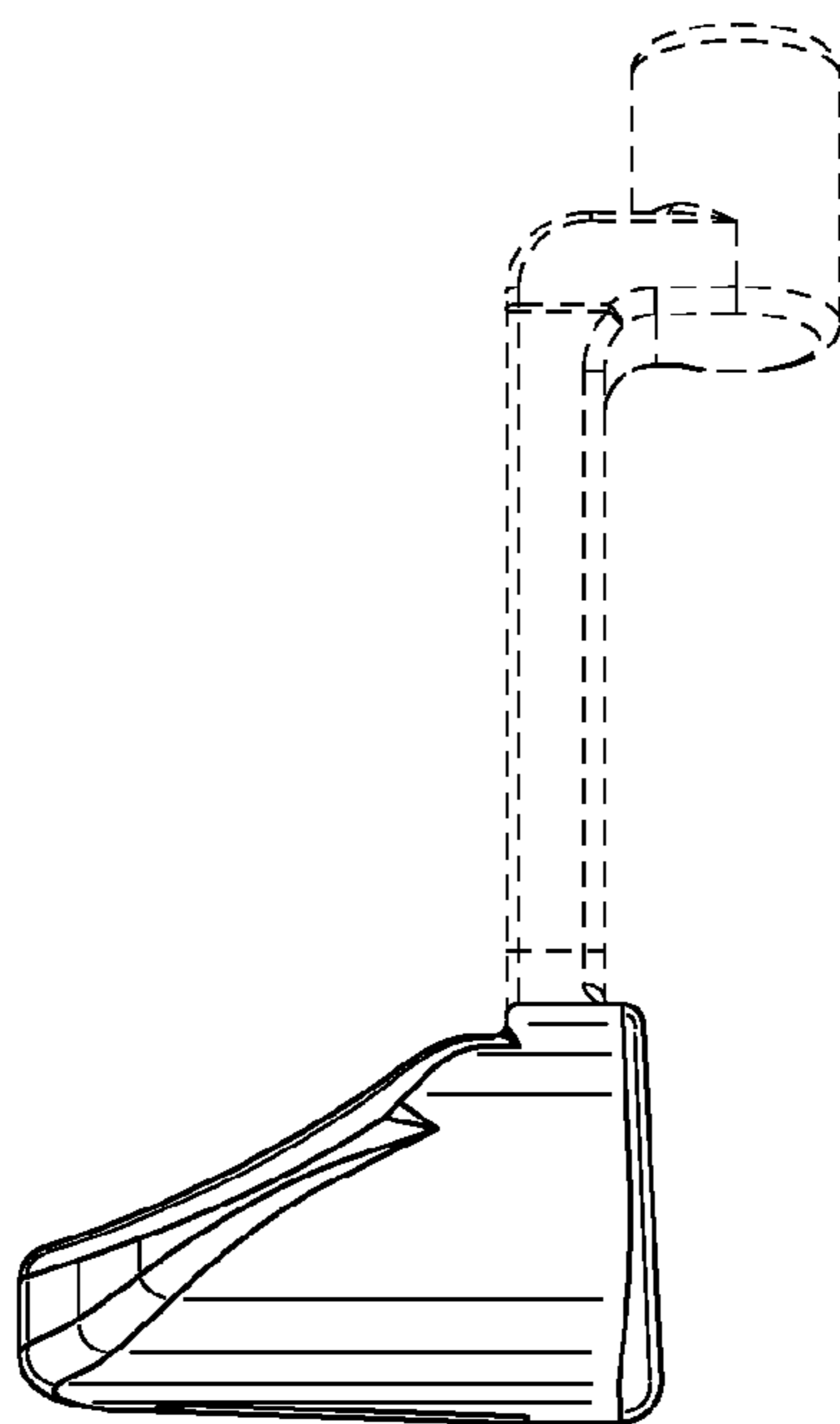


FIG. 15

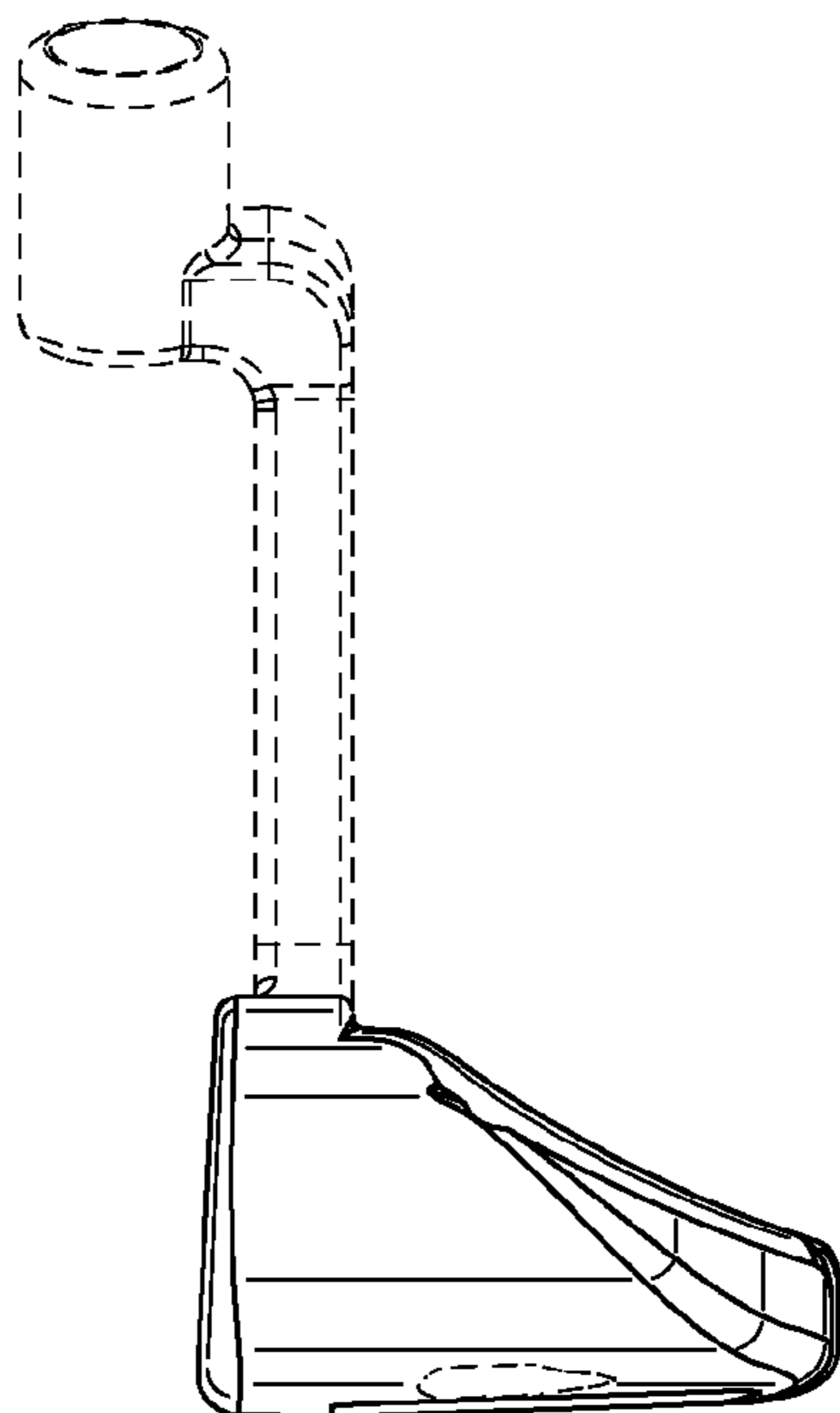


FIG. 16