



US00D599867S

(12) **United States Design Patent**
Teramoto

(10) **Patent No.:** **US D599,867 S**

(45) **Date of Patent:** **** Sep. 8, 2009**

(54) **GOLF CLUB HEAD**

D565,138 S * 3/2008 Wilson D21/743

(75) Inventor: **Seiichiro Teramoto**, Yukuhashi (JP)

* cited by examiner

(73) Assignee: **Aneeging Sports Co., Ltd.**,
Kitakyushu-shi, Fukuoka (JP)

Primary Examiner—Mitchell I Siegel
(74) *Attorney, Agent, or Firm*—Yokoi & Co., U.S.A., Inc.;
Peter Ganjian

(**) Term: **14 Years**

(57) **CLAIM**

(21) Appl. No.: **29/312,443**

The ornamental design for a golf club head, as shown and described.

(22) Filed: **Oct. 20, 2008**

(30) **Foreign Application Priority Data**

DESCRIPTION

Apr. 23, 2008 (JP) 2008-010478

FIG. 1 shows a front view of a golf club head showing my new design;

(51) **LOC (9) Cl.** **21-02**

FIG. 2 shows a rear view thereof;

(52) **U.S. Cl.** **D21/736**

FIG. 3 shows a right side view thereof;

(58) **Field of Classification Search** D21/736–746;
473/324–331, 340–341

FIG. 4 shows a left side view thereof;

See application file for complete search history.

FIG. 5 shows a top view thereof;

(56) **References Cited**

FIG. 6 shows a bottom view thereof;

U.S. PATENT DOCUMENTS

FIG. 7 shows a top, rear and left side perspective view thereof;

D202,715 S * 11/1965 Solheim D21/743

FIG. 8 shows a bottom, rear and right side perspective view thereof.

D240,749 S * 7/1976 Benson D21/737

FIG. 9 shows an A—A cross-section view thereof; and,

D248,783 S * 8/1978 Long D21/741

FIG. 10 shows a B—B cross-section view thereof.

D305,680 S * 1/1990 Cook D21/741

The broken line showing of the shaft insertion hole is included for the purpose of illustrating and forms no part of the claimed design.

5,407,196 A * 4/1995 Busnardo 473/340

5,462,279 A * 10/1995 Culpepper 473/340

D366,509 S * 1/1996 Chiuminata et al. D21/743

D392,008 S * 3/1998 Klein D21/743

D415,227 S * 10/1999 Heilker D21/743

D417,711 S * 12/1999 Sery D21/744

1 Claim, 5 Drawing Sheets

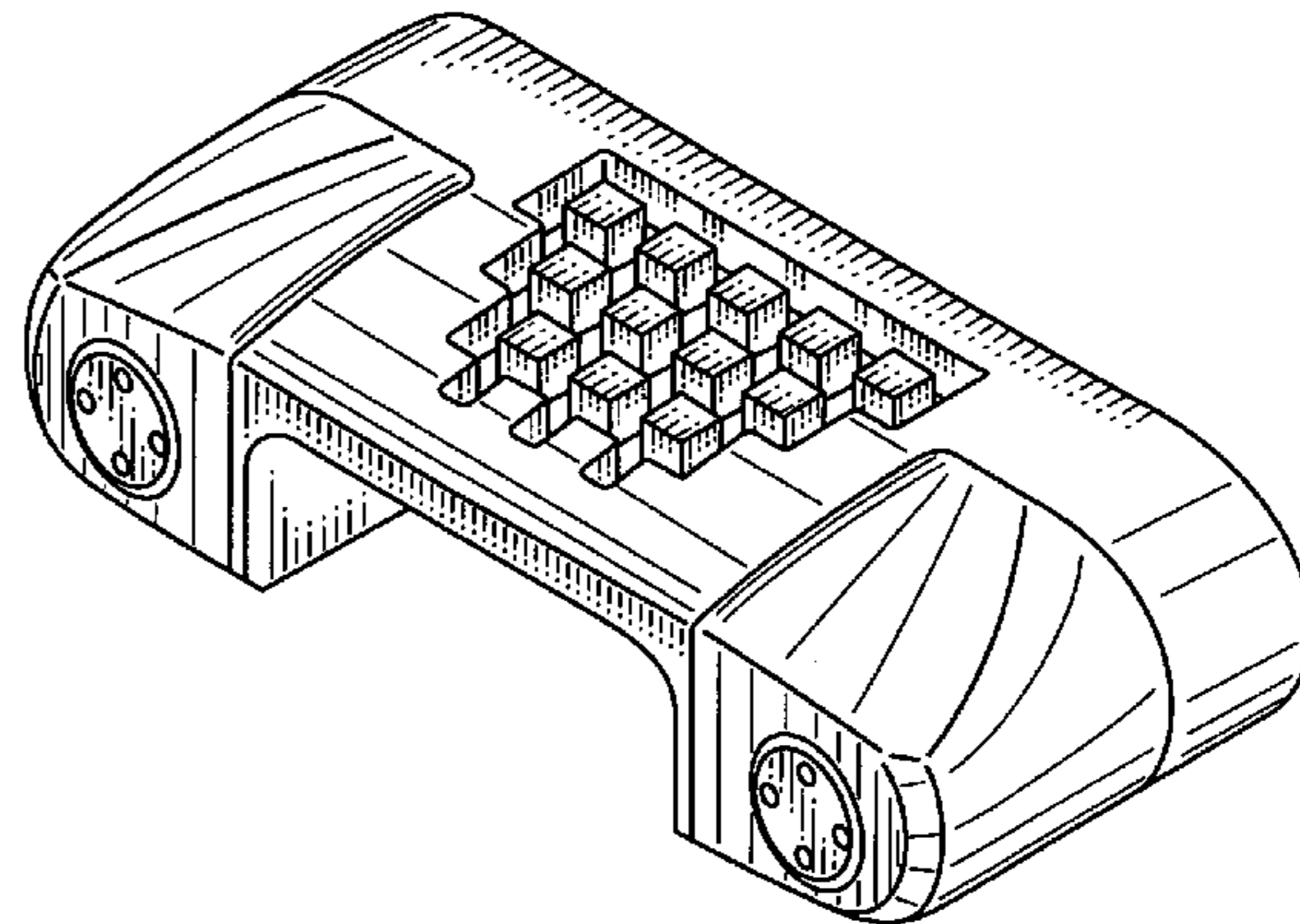
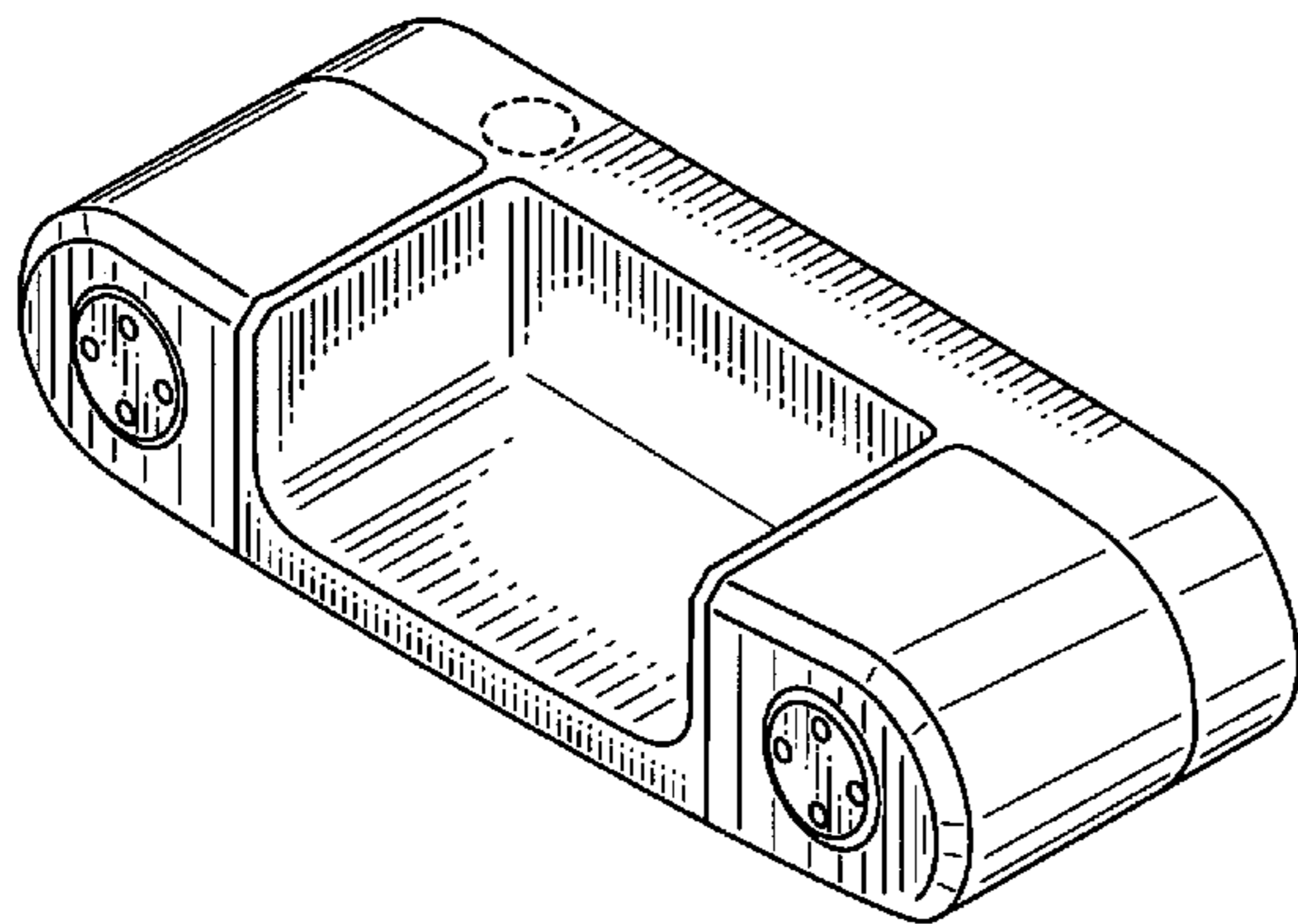


FIG. 1

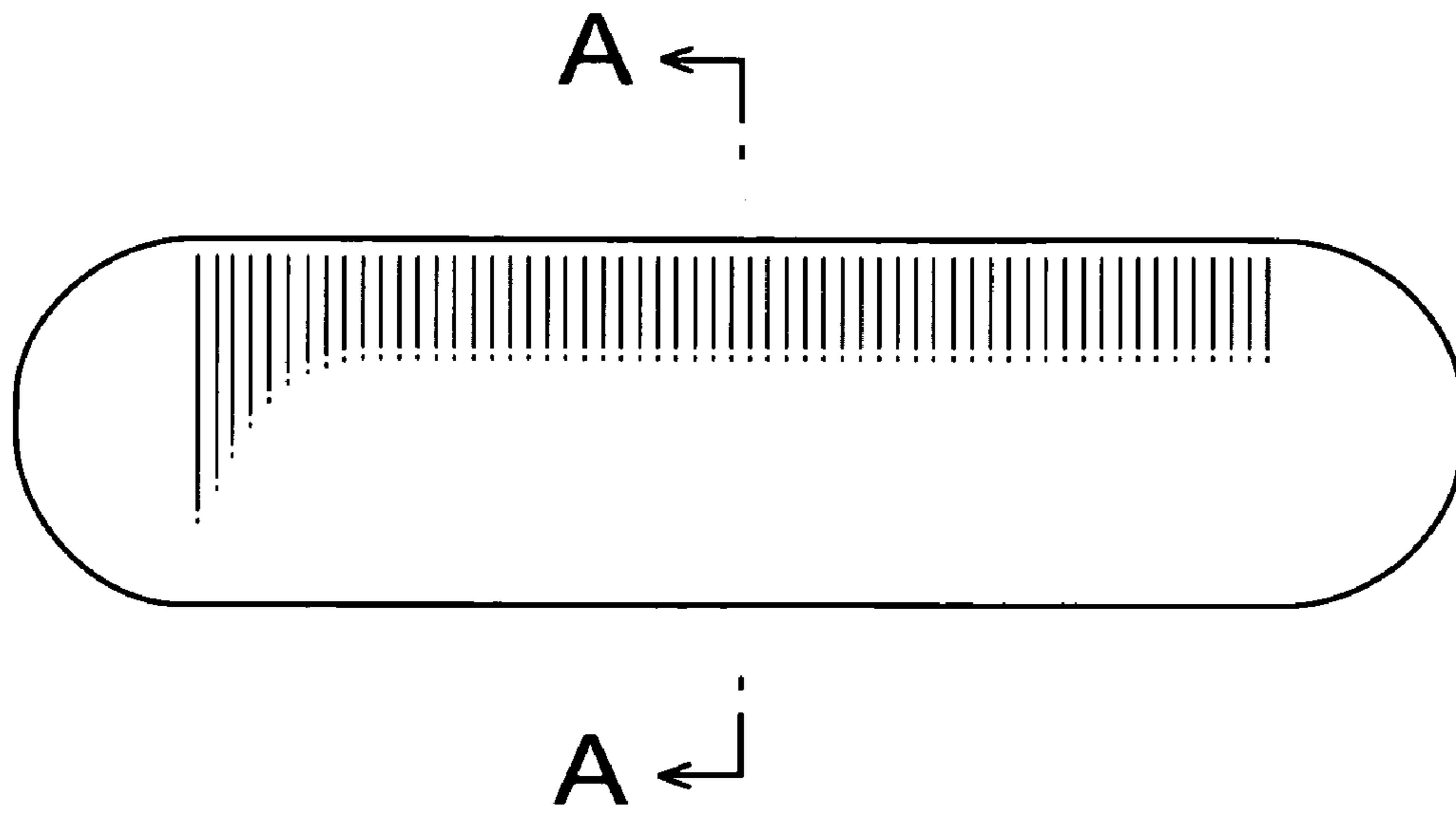


FIG. 2

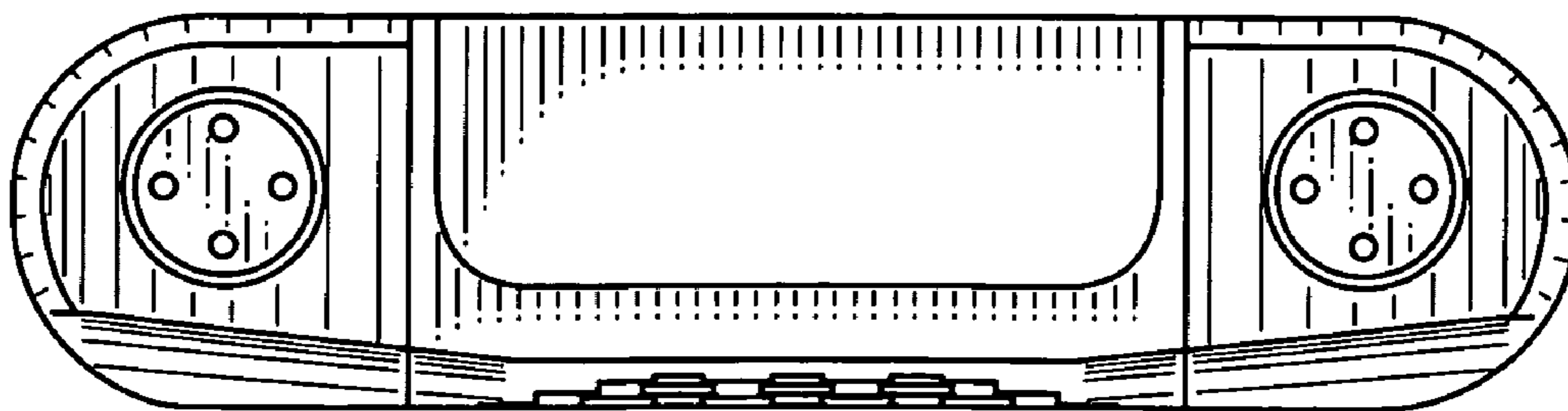


FIG. 3

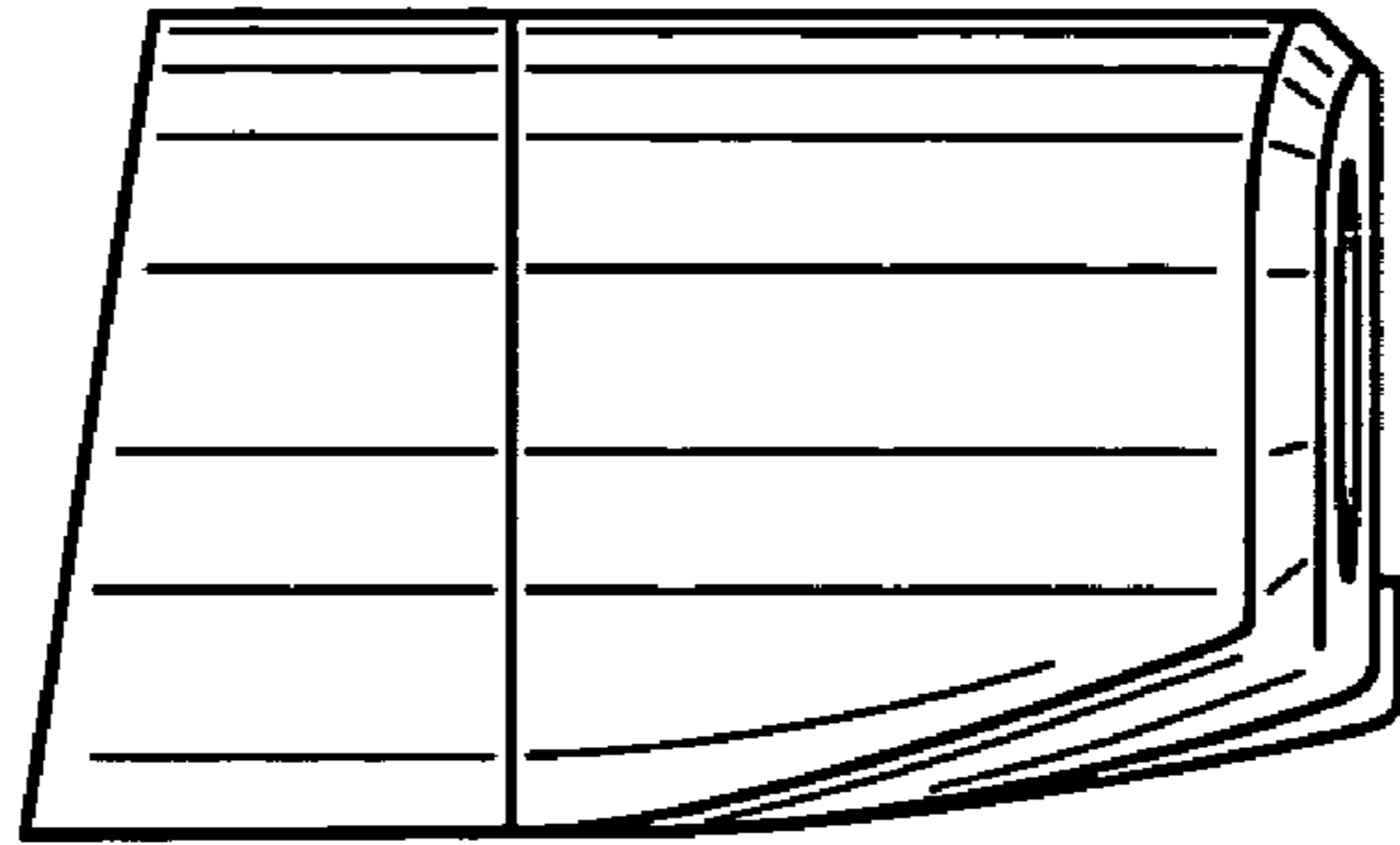


FIG. 4

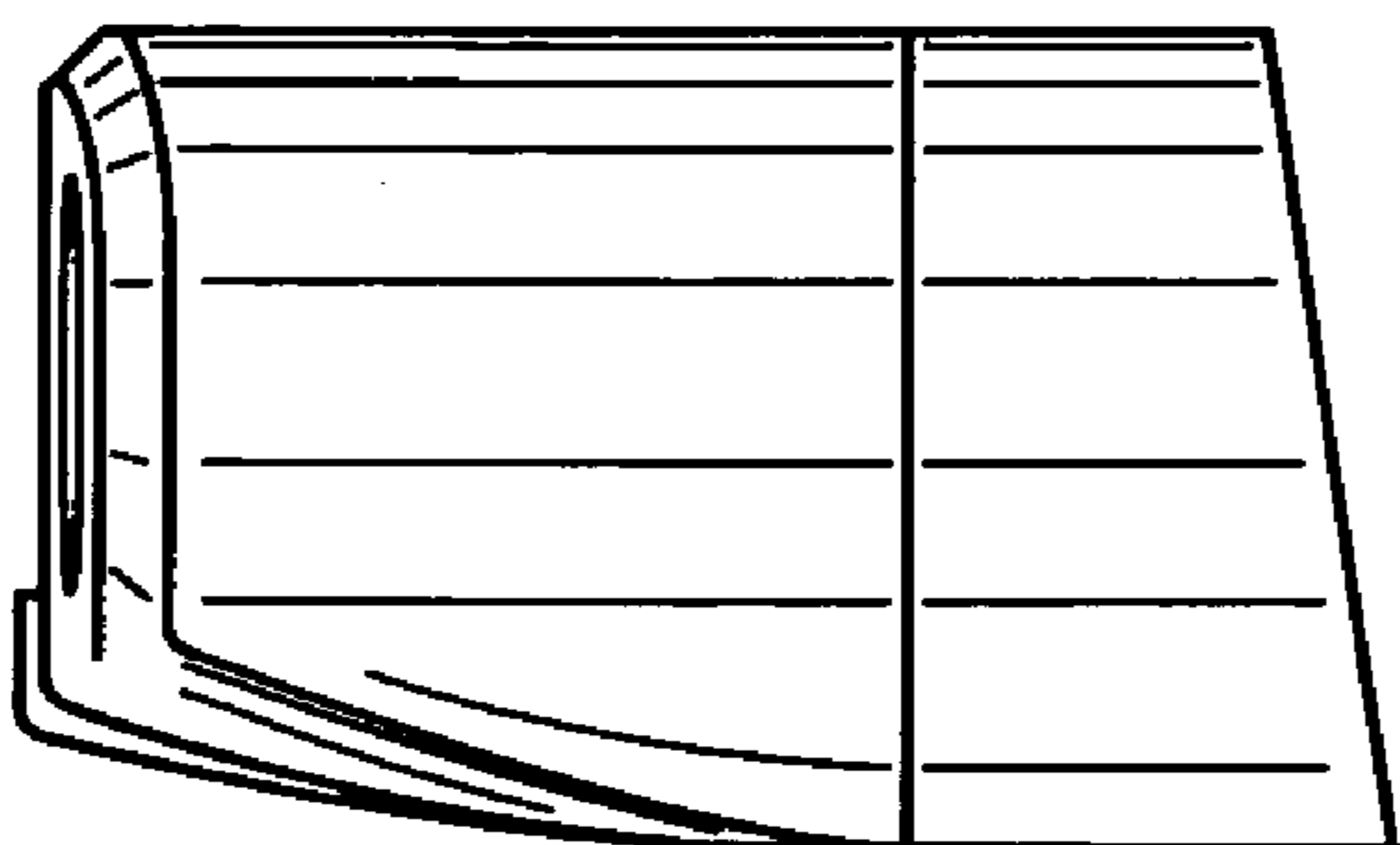


FIG. 5

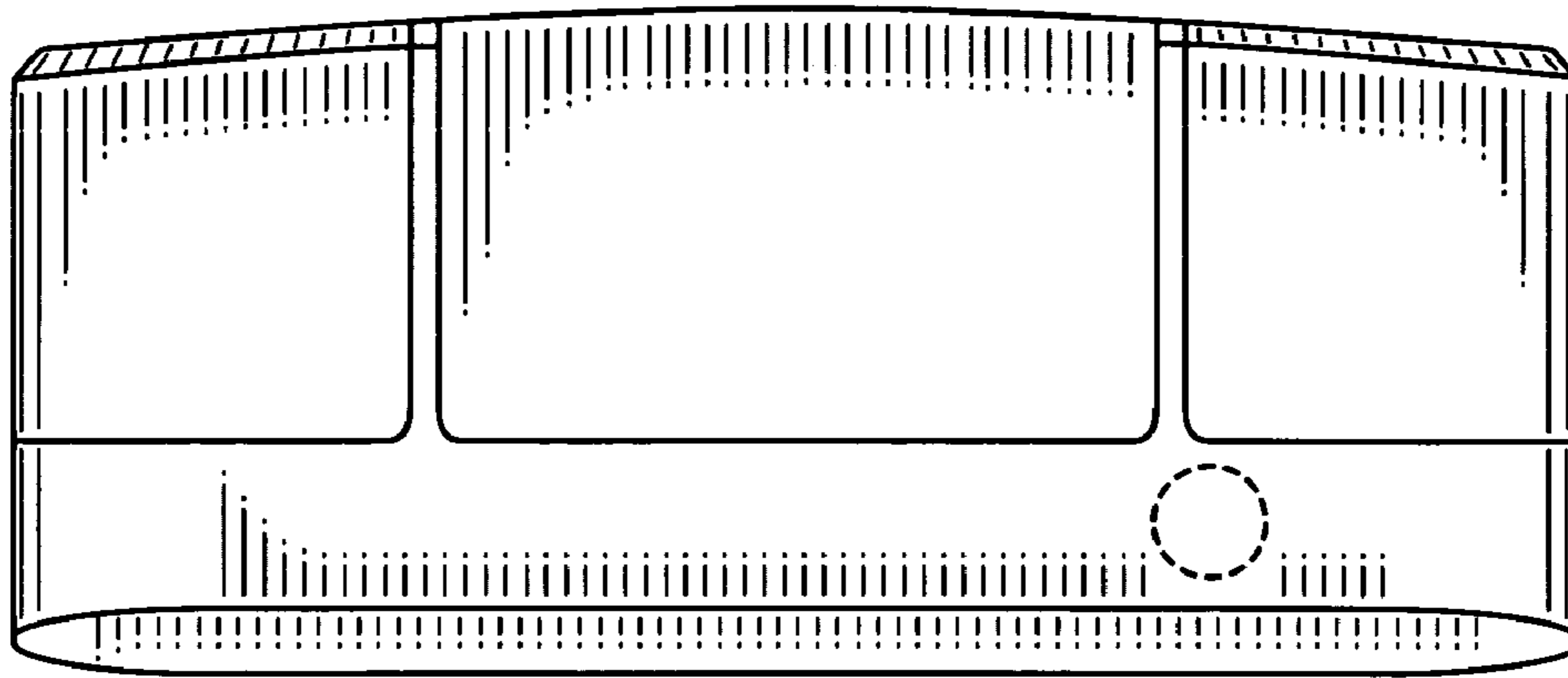


FIG. 6

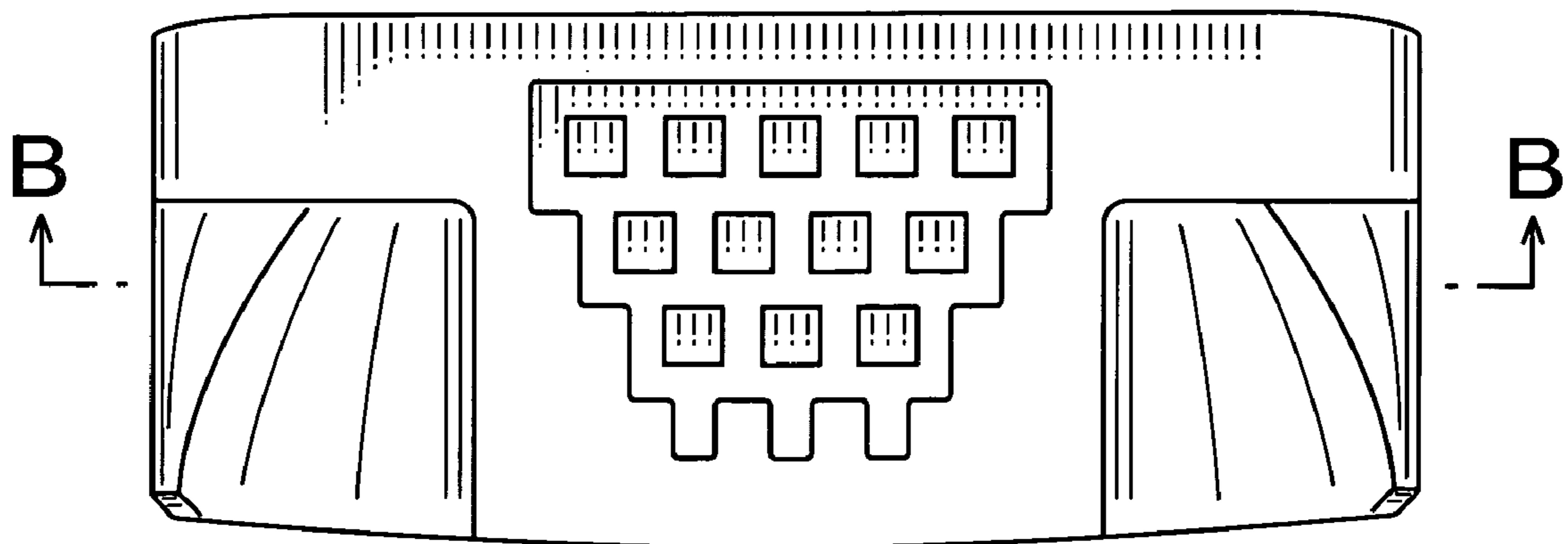


FIG. 7

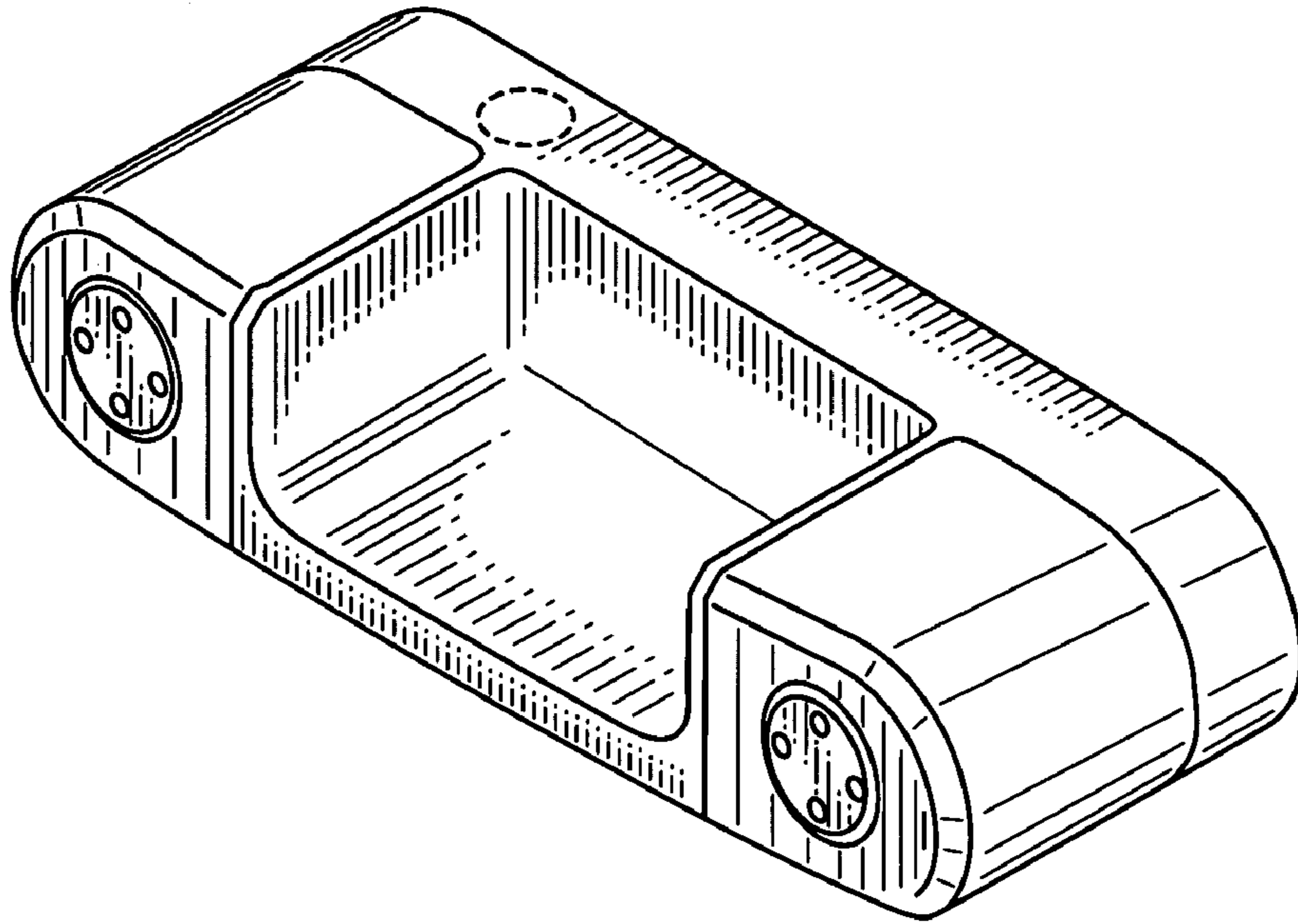


FIG. 8

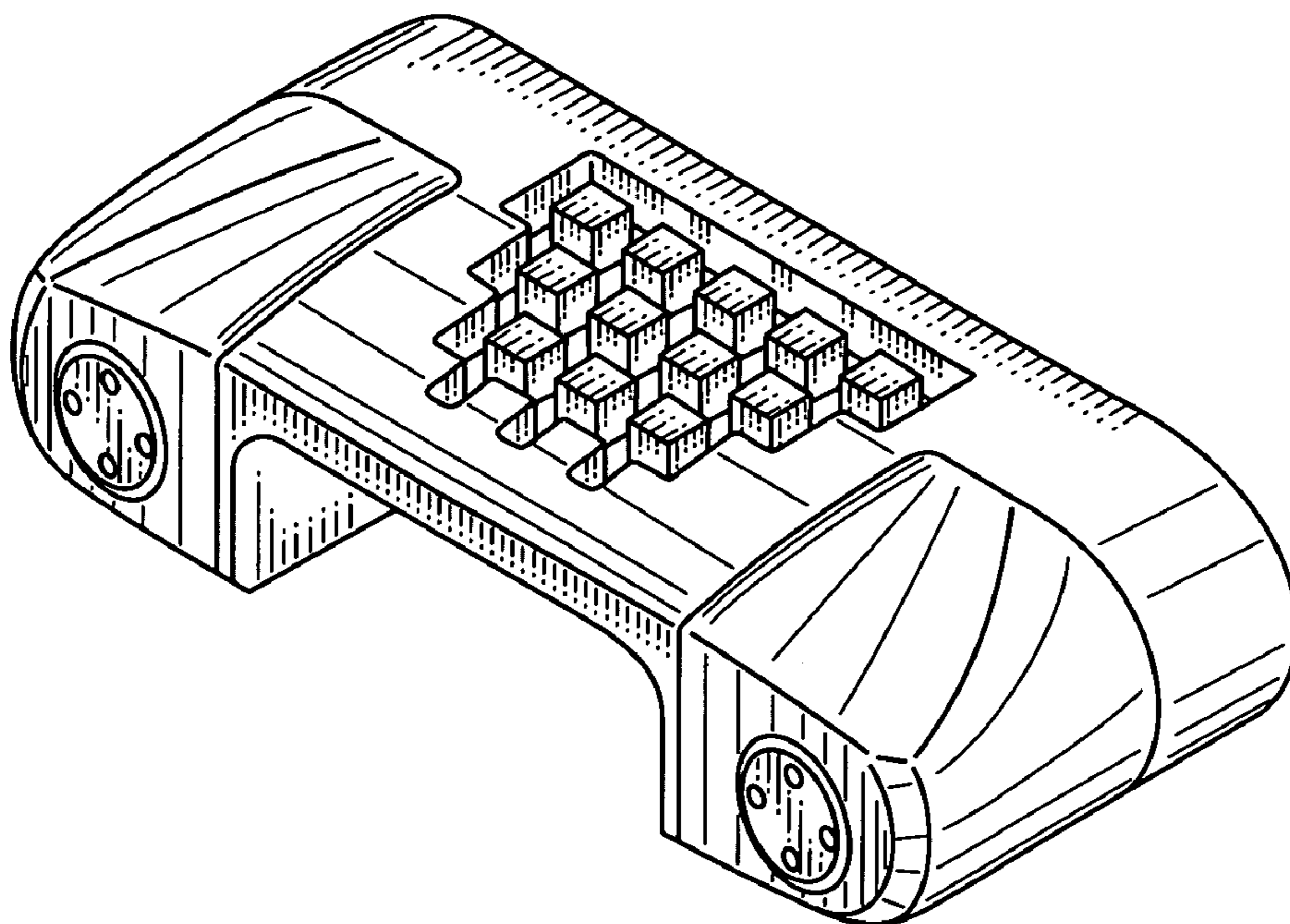


FIG. 9

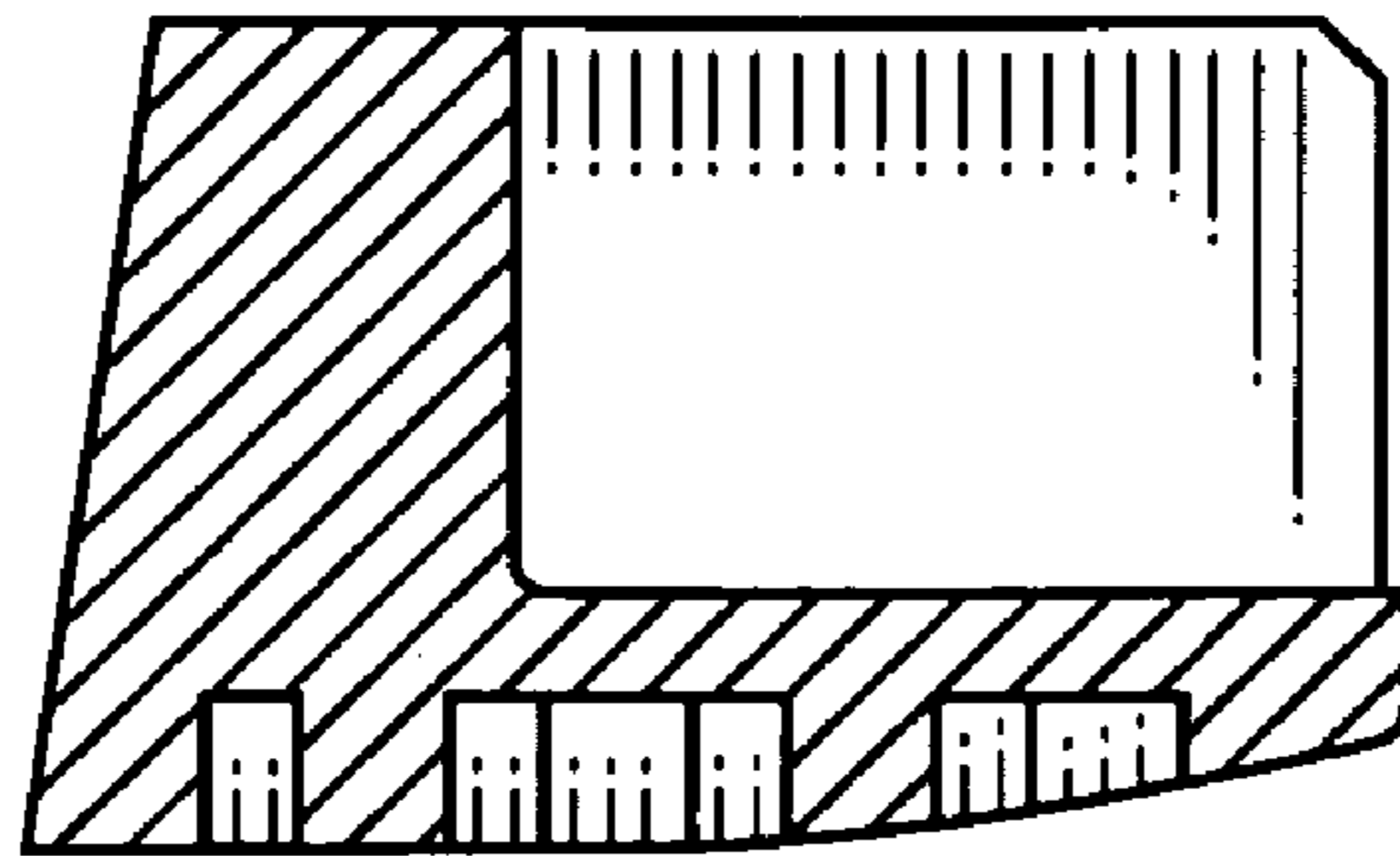


FIG. 10

