

US00D599863S

(12) **United States Design Patent**
Quijada

(10) **Patent No.:** **US D599,863 S**

(45) **Date of Patent:** **** Sep. 8, 2009**

(54) **BICYCLE TRAINER**

(76) Inventor: **Enric Bonilla Quijada, C/ Josep Anselm**
Clave, 91-93, Esplungues de Llobregat
(Barcelona) (ES) 08950

(**) Term: **14 Years**

(21) Appl. No.: **29/318,178**

(22) Filed: **May 15, 2008**

(30) **Foreign Application Priority Data**

Nov. 20, 2007 (EM) 000829247-0001

(51) **LOC (9) Cl.** **21-02**

(52) **U.S. Cl.** **D21/668; D21/665**

(58) **Field of Classification Search** D21/662,
D21/663, 665, 666, 667, 668, 670; 482/52,
482/57, 58, 59, 62, 64, 65

See application file for complete search history.

(56) **References Cited**

U.S. PATENT DOCUMENTS

5,782,722 A * 7/1998 Sands et al. 482/52
D398,672 S * 9/1998 Sands et al. D21/663
D401,645 S * 11/1998 Kuo D21/668
5,830,112 A * 11/1998 Wang et al. 482/52
D405,852 S * 2/1999 McBride D21/670

6,007,462 A * 12/1999 Chen 482/57
6,063,008 A * 5/2000 McBride et al. 482/52
D459,773 S * 7/2002 Hsiung D21/668
6,652,423 B1 * 11/2003 Chen 482/52
D569,455 S * 5/2008 Dukhande D21/668

* cited by examiner

Primary Examiner—Philip S Hyder

(74) *Attorney, Agent, or Firm*—William J. Sapone; Coleman
Sudol Sapone P.C.

(57) **CLAIM**

I claim the ornamental design for a bicycle trainer, as shown
and described.

DESCRIPTION

FIG. 1 is a left side view of the bicycle trainer showing my
new design;

FIG. 2 is a right side view thereof;

FIG. 3 is a front perspective view thereof;

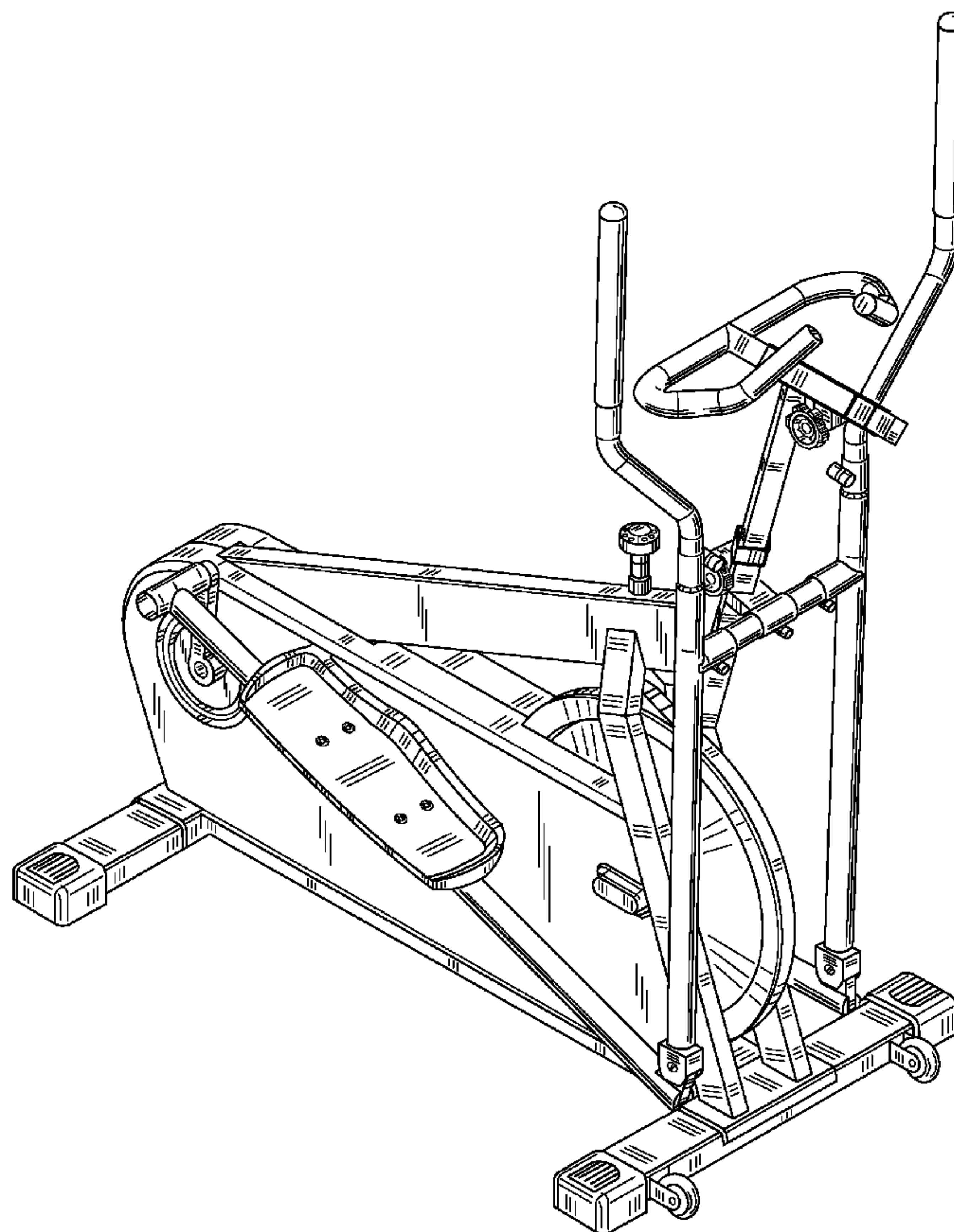
FIG. 4 is a rear view thereof;

FIG. 5 is a top view thereof;

FIG. 6 is a bottom view thereof; and,

FIG. 7 is a perspective view thereof.

1 Claim, 7 Drawing Sheets



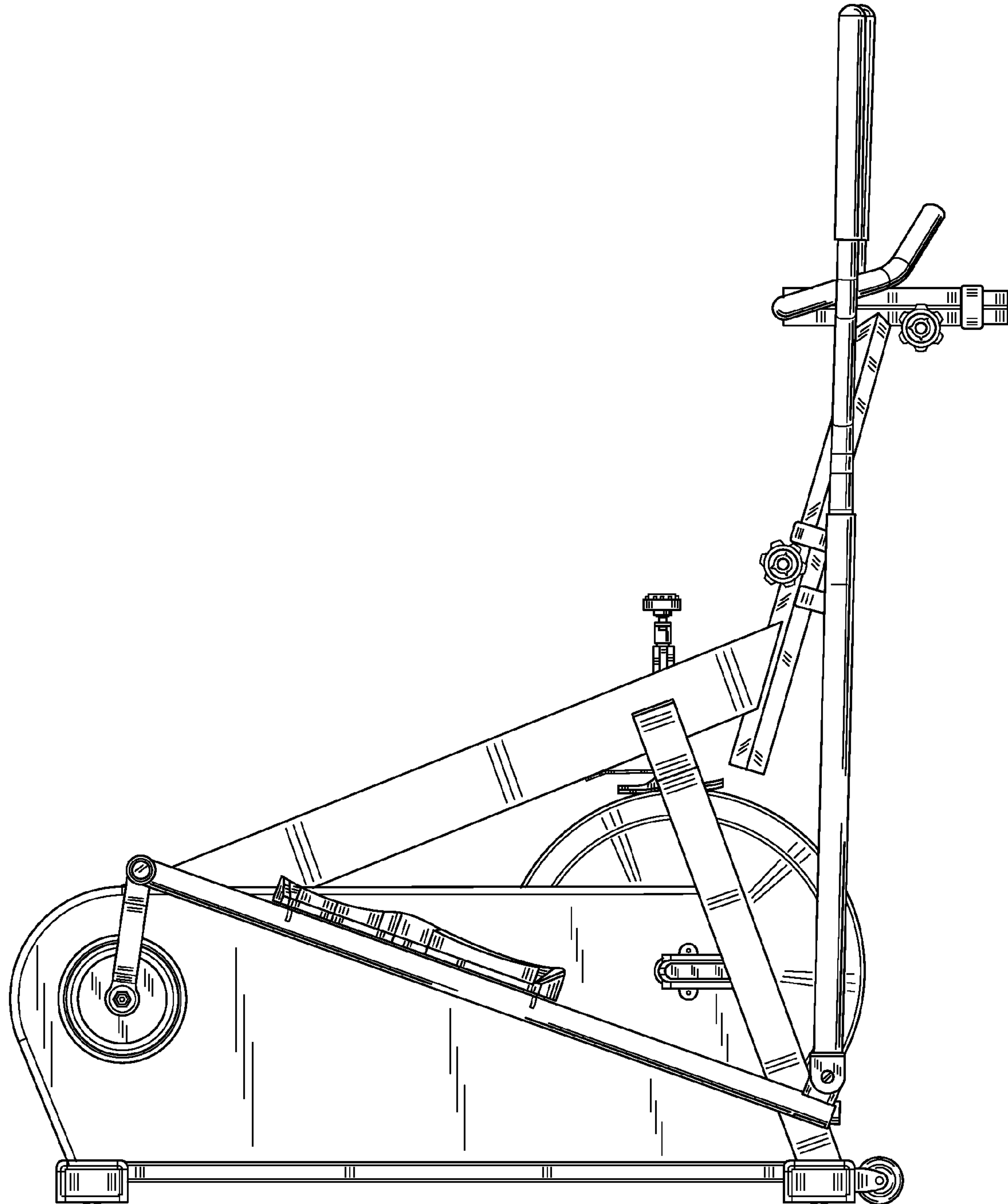


FIG. 1

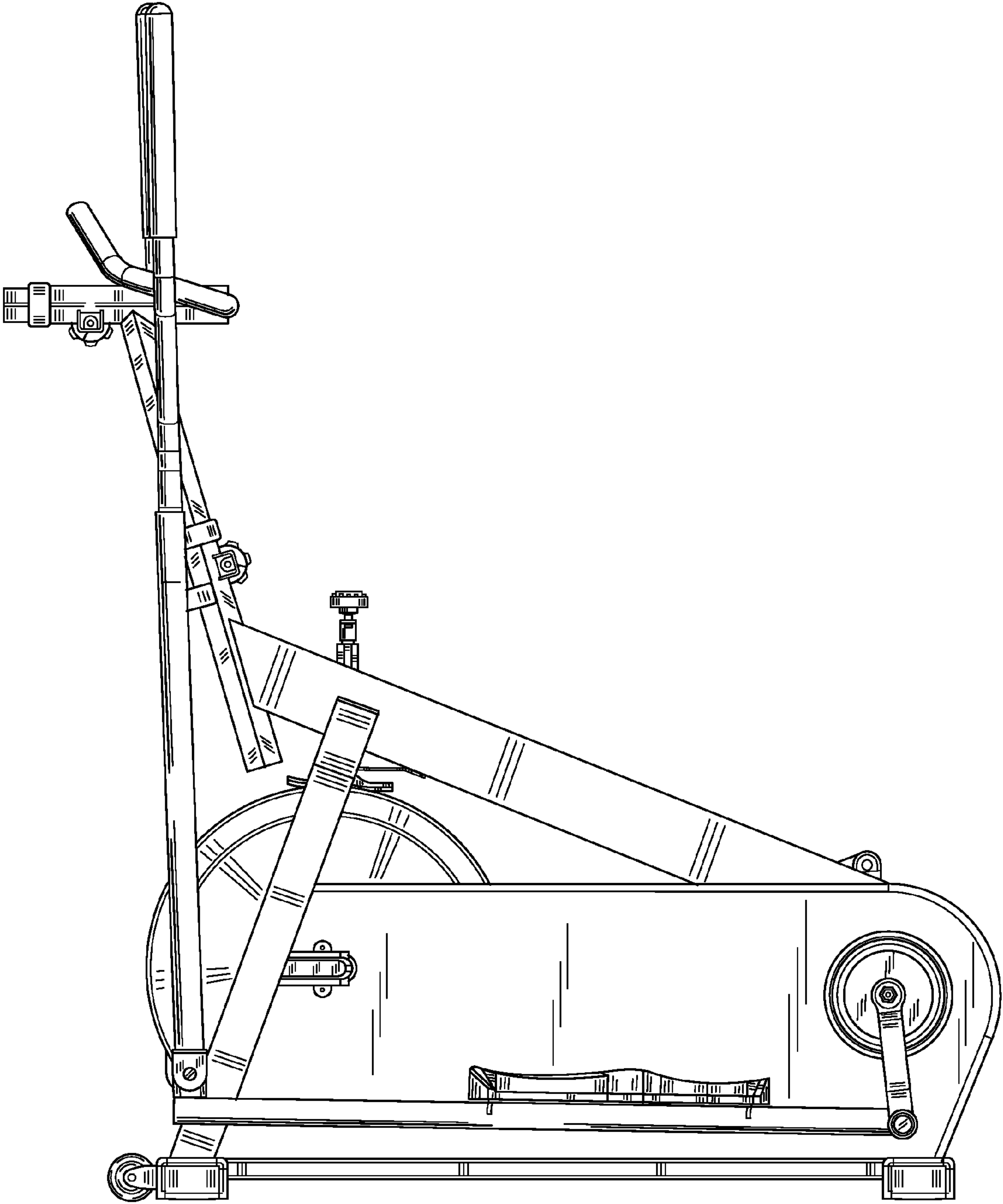


FIG. 2

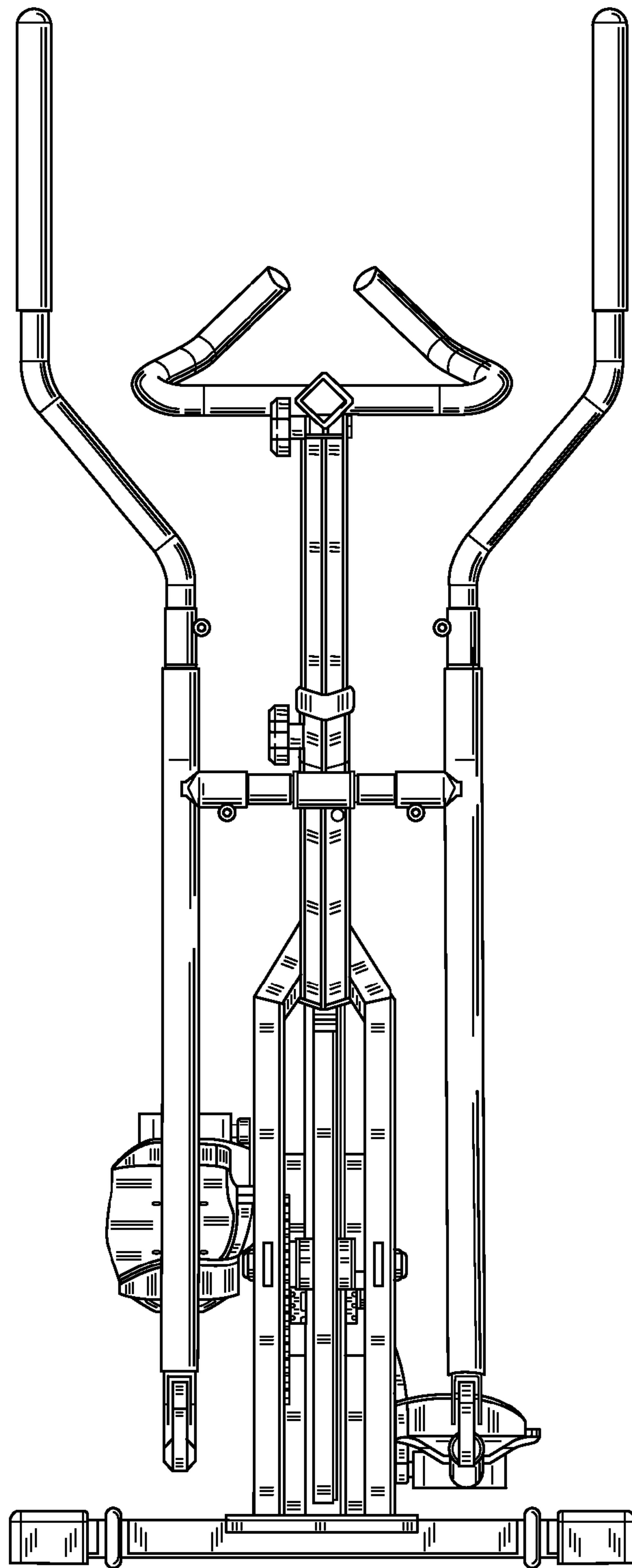


FIG. 3

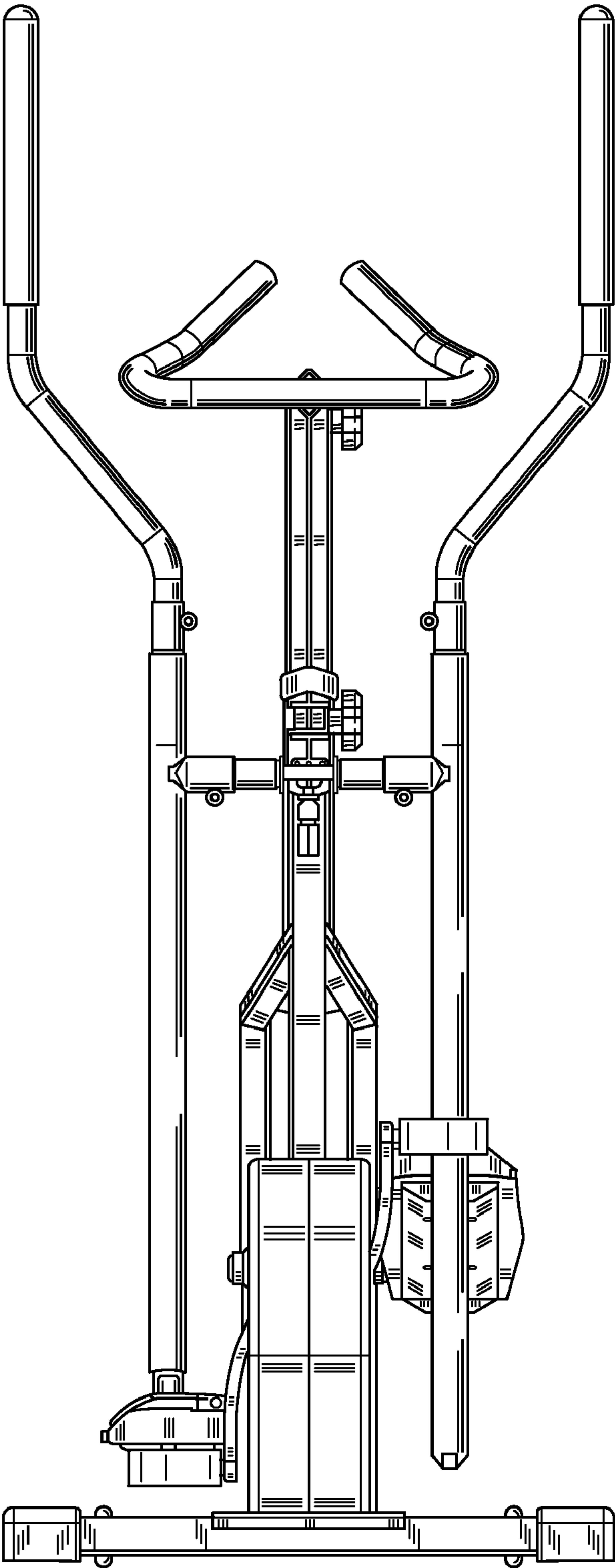


FIG. 4

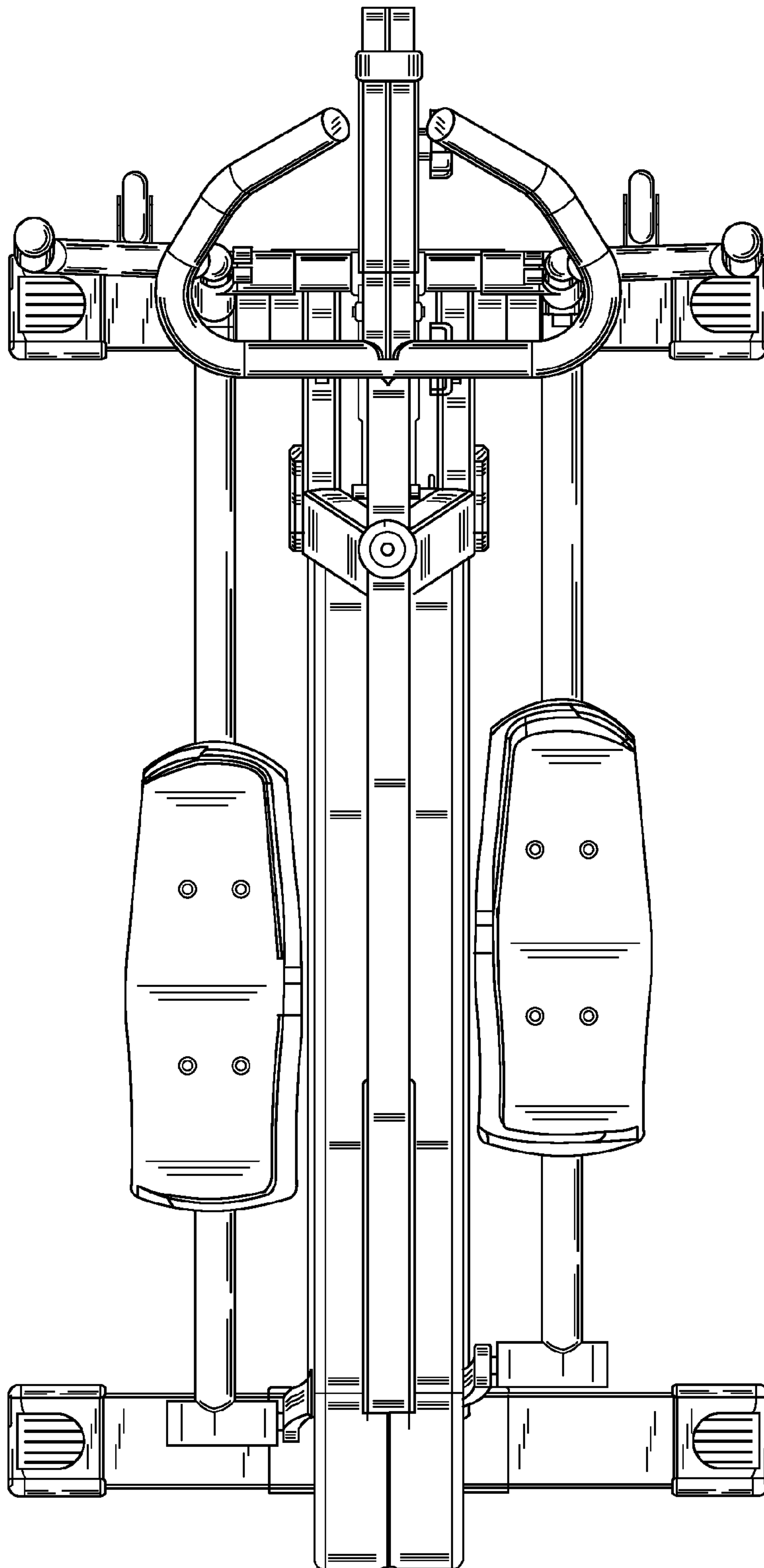


FIG. 5

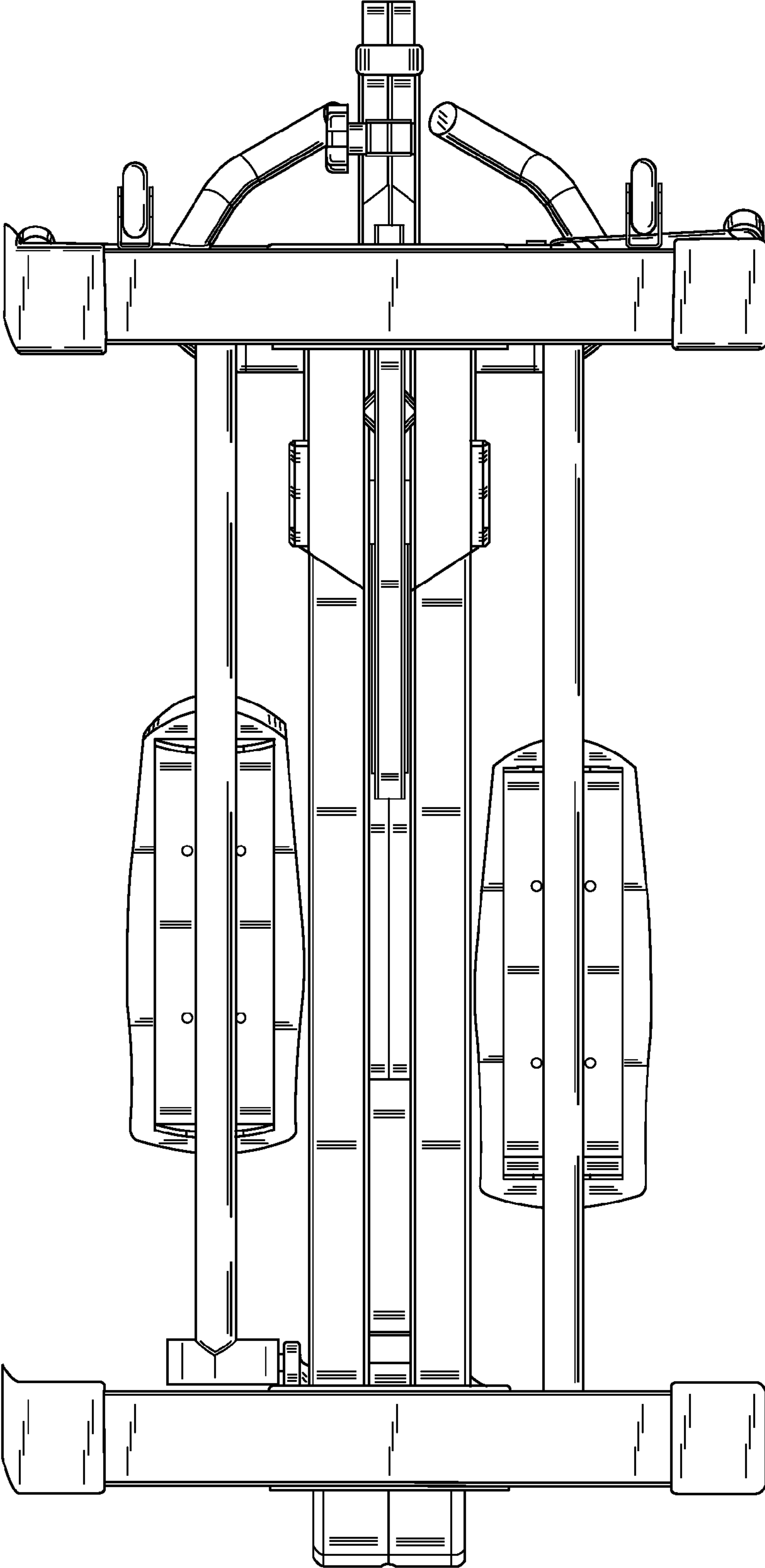


FIG. 6

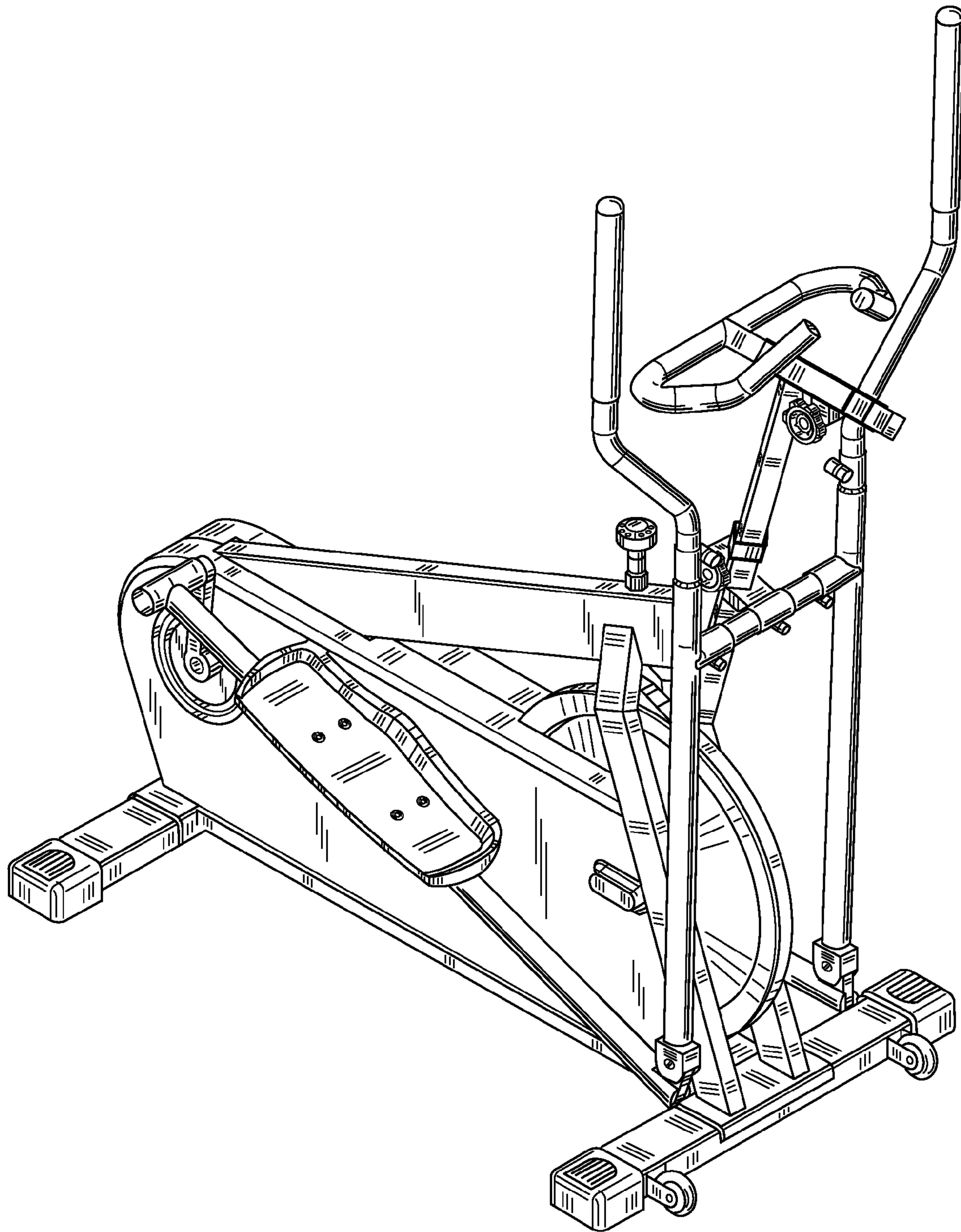


FIG. 7