

US00D599862S

(12) **United States Design Patent**
Decommer

(10) **Patent No.:** **US D599,862 S**

(45) **Date of Patent:** **** Sep. 8, 2009**

(54) **BODY VIBRATION TRAINER**

(75) Inventor: **Steven Decommer**, Hamme (BE)

(73) Assignee: **DKN-Technology**, Hamme (BE)

(**) Term: **14 Years**

(21) Appl. No.: **29/323,540**

(22) Filed: **Aug. 27, 2008**

(51) **LOC (9) Cl.** **21-02**

(52) **U.S. Cl.** **D21/662; D21/686**

(58) **Field of Classification Search** D21/662,
D21/671, 686, 688, 689; 601/23, 49, 51,
601/66, 70, 90; 482/27, 51, 145, 146, 91,
482/112, 113

See application file for complete search history.

(56) **References Cited**

U.S. PATENT DOCUMENTS

D500,100 S *	12/2004	van der Meer	D21/662
D518,533 S *	4/2006	van der Meer	D21/662
D522,074 S *	5/2006	Dummel	D21/662
D538,358 S *	3/2007	Glier	D21/662
D548,291 S *	8/2007	Chiang	D21/662
7,278,976 B1 *	10/2007	Chen	601/30
D559,924 S *	1/2008	Wu	D21/661
D561,273 S *	2/2008	Wu	D21/662

D567,309 S * 4/2008 Schuurman et al. D21/662

D571,416 S * 6/2008 Wu D21/662

D574,900 S * 8/2008 Meile Marcel Tamminga .. D21/
662

D576,228 S * 9/2008 Hahn D21/668

D586,867 S * 2/2009 Wu D21/662

2005/0131319 A1 * 6/2005 der Meer 601/49

* cited by examiner

Primary Examiner—Philip S Hyder

(74) *Attorney, Agent, or Firm*—Alan Kamrath; Kamrath & Associates PA

(57) **CLAIM**

The ornamental design for a body vibration trainer, as shown and described.

DESCRIPTION

FIG. 1 is a perspective view of a body vibration trainer showing my design;

FIG. 2 is a front elevational view thereof;

FIG. 3 is a rear elevational view thereof;

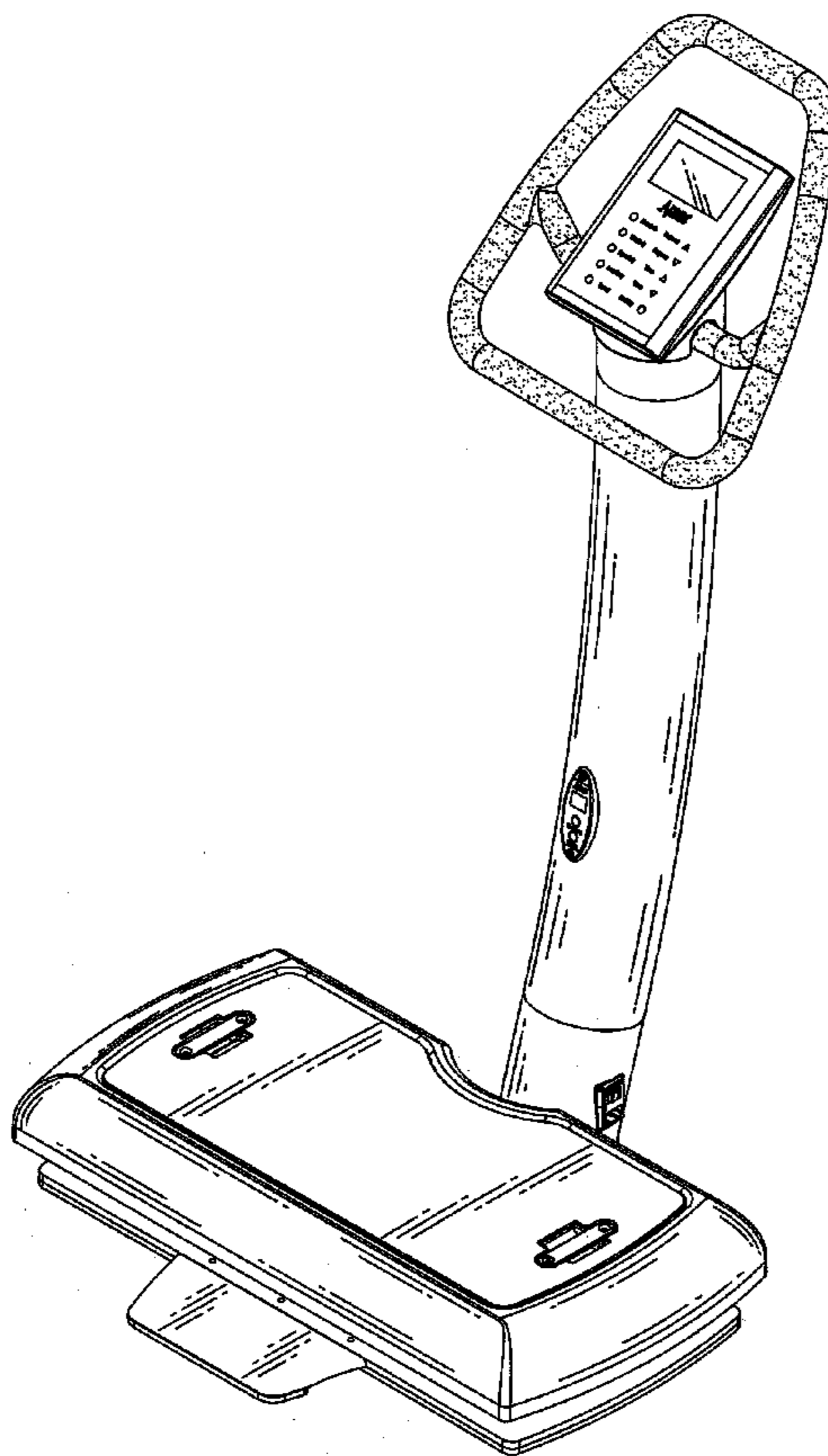
FIG. 4 is a left side elevational view thereof;

FIG. 5 is a right side elevational view thereof;

FIG. 6 is a top plan view thereof; and,

FIG. 7 is a bottom plan view thereof.

1 Claim, 7 Drawing Sheets



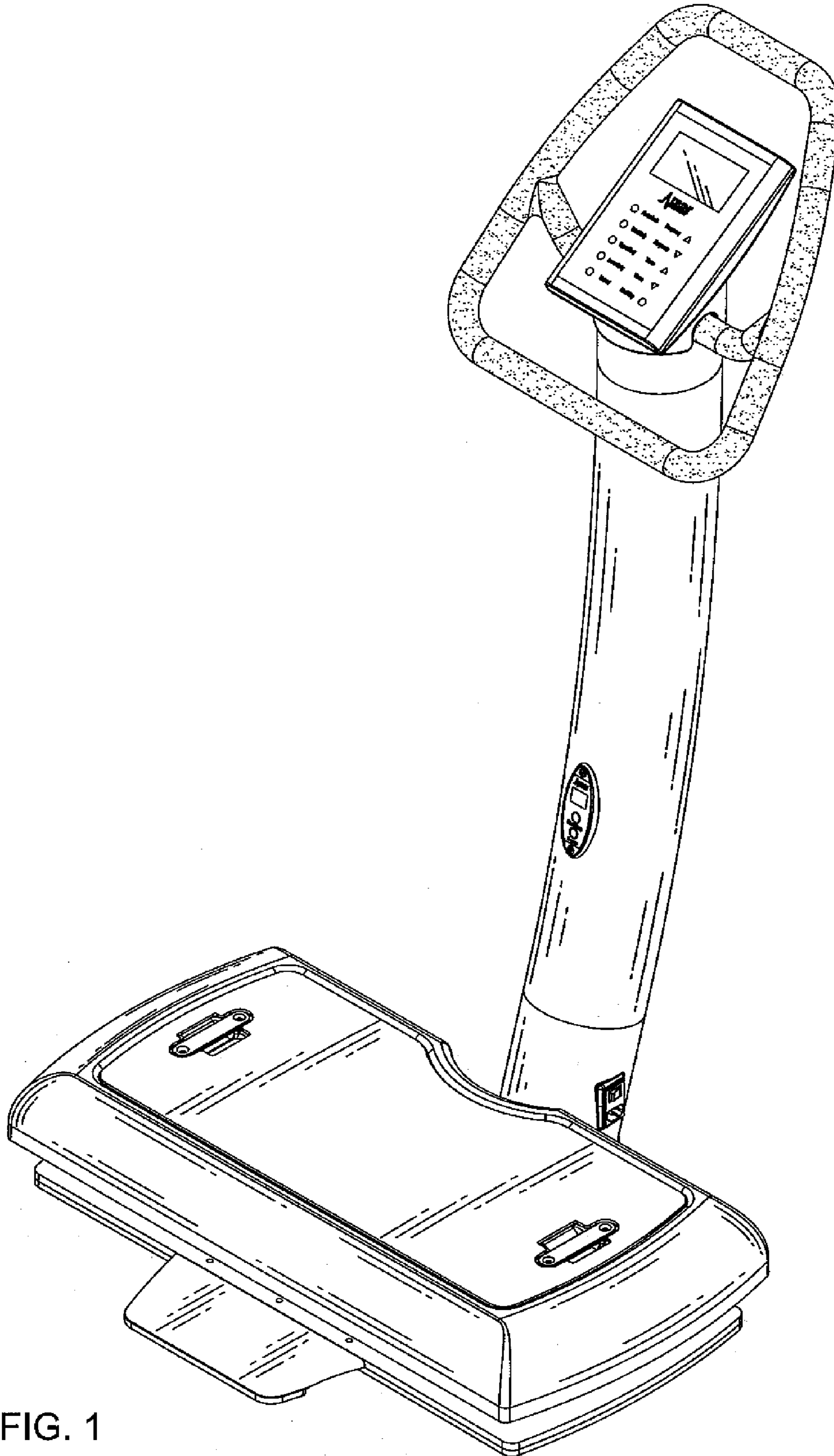


FIG. 1

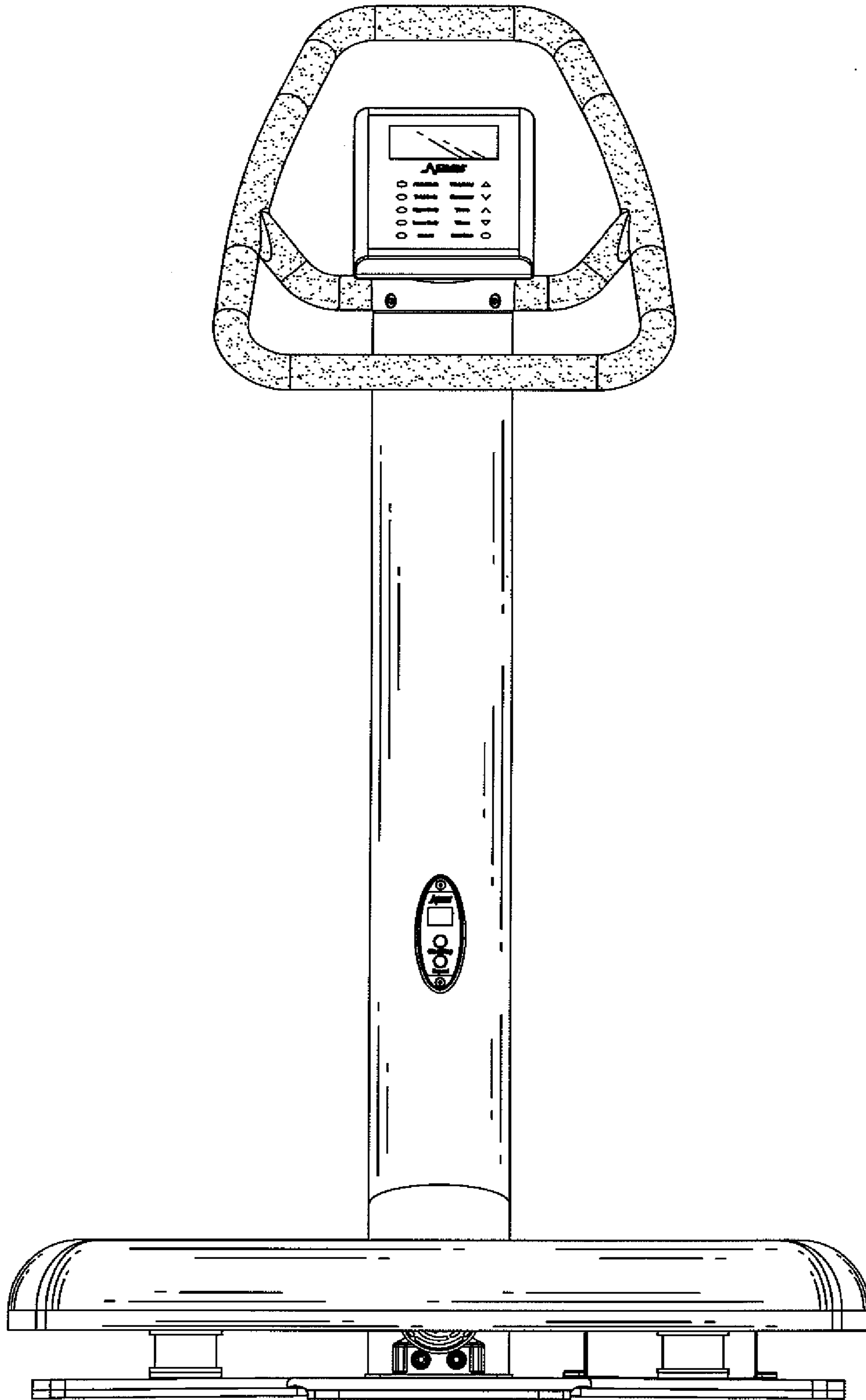


FIG. 2

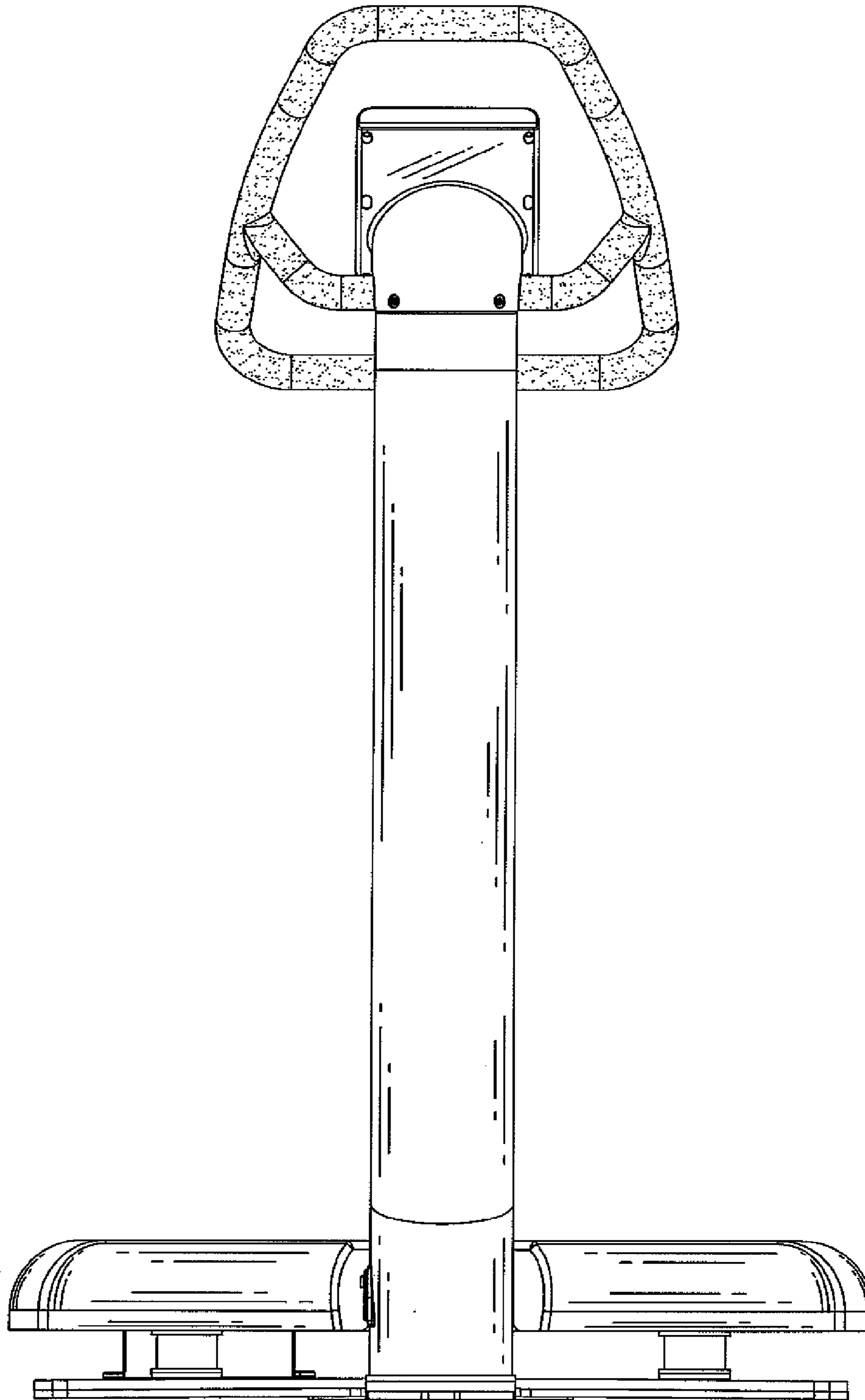


FIG. 3

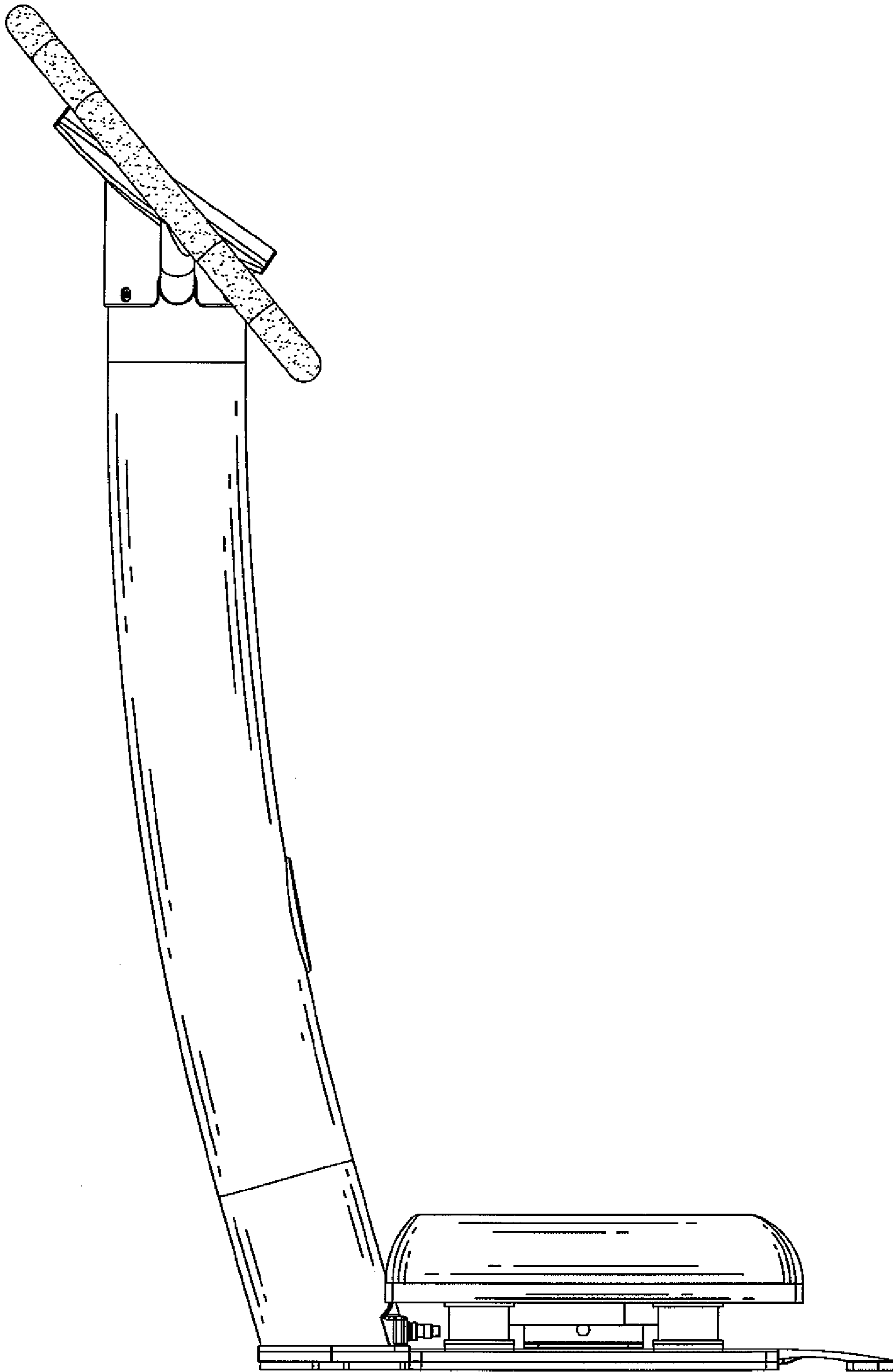


FIG. 4

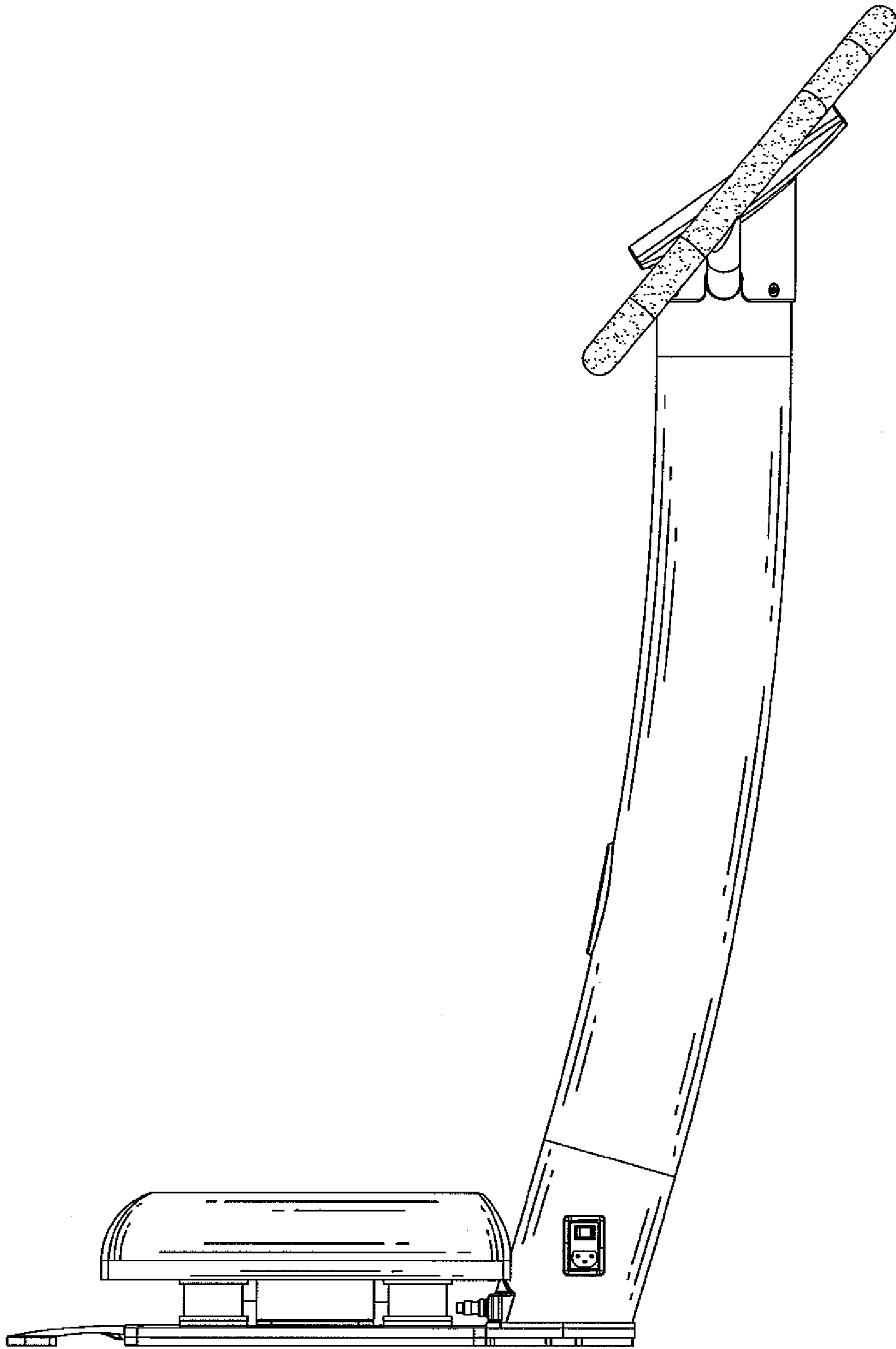


FIG. 5

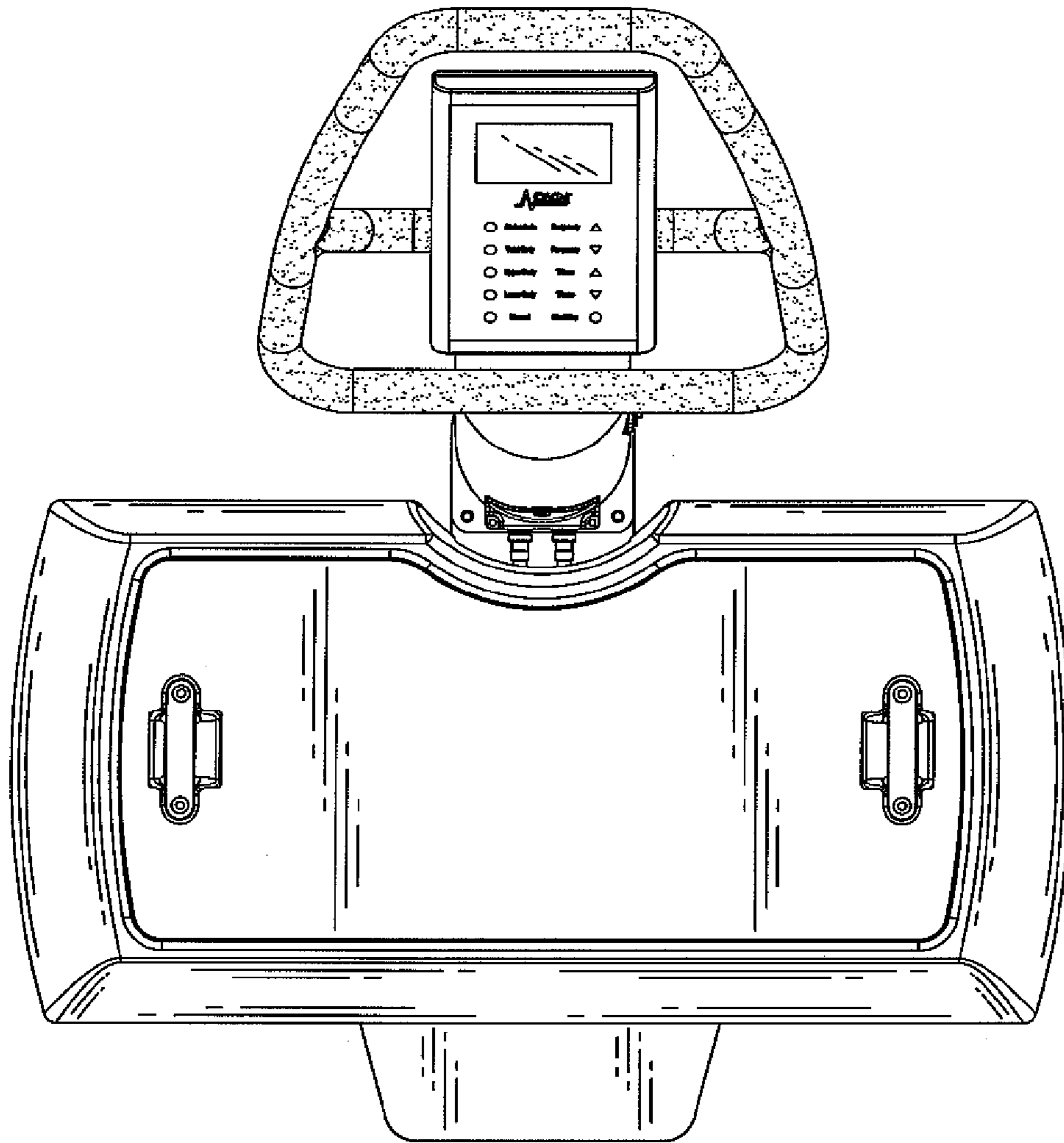


FIG. 6

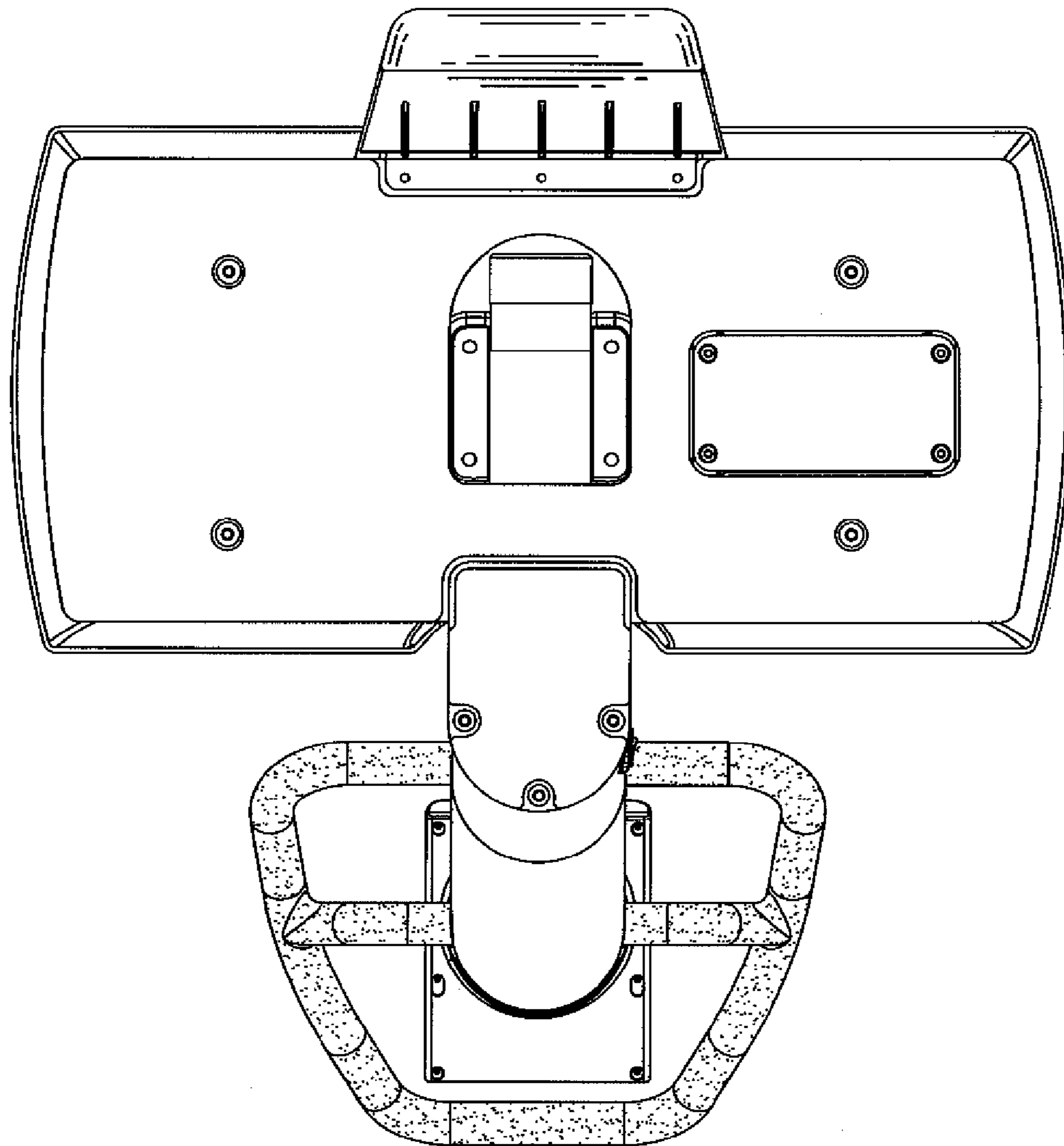


FIG. 7